



US00D650872S

(12) **United States Design Patent**
Shingary

(10) **Patent No.:** **US D650,872 S**

(45) **Date of Patent:** **** Dec. 20, 2011**

(54) **EXERCISE DEVICE**

(76) Inventor: **Edward D. Shingary**, Parma, OH (US)

(**) Term: **14 Years**

(21) Appl. No.: **29/379,802**

(22) Filed: **Nov. 24, 2010**

(51) **LOC (9) Cl.** **21-02**

(52) **U.S. Cl.** **D21/675; D21/676**

(58) **Field of Classification Search** D21/662,
D21/673, 674, 675, 676, 686, 690, 691, 694;
482/42, 92, 94, 95, 96, 97, 98, 99, 100, 101,
482/102, 104, 112, 133, 136, 142

See application file for complete search history.

D345,999	S *	4/1994	Adkins	D21/675
D385,602	S *	10/1997	Trottier	D21/675
5,738,616	A *	4/1998	Robertson	482/102
6,976,941	B2 *	12/2005	Britt	482/94
7,632,221	B1 *	12/2009	Kolander	482/94
D629,472	S *	12/2010	Rhodes	D21/686
2006/0111221	A1 *	5/2006	Williams	482/139
2007/0265147	A1 *	11/2007	Shingary	482/98
2009/0023562	A1 *	1/2009	LaMarque	482/99
2010/0035735	A1 *	2/2010	Ventrella	482/94

* cited by examiner

Primary Examiner — Susan E Krakower

(74) *Attorney, Agent, or Firm* — Forrest L. Collins; Forrest L. Collins Law Offices, LLC

(57) **CLAIM**

The ornamental design for exercise device, as shown and described.

DESCRIPTION

FIG. 1 is a perspective view of exercise device showing my new design;

FIG. 2 is a left side view thereof;

FIG. 3 is a right side view thereof;

FIG. 4 is a rear view thereof;

FIG. 5 is a front view thereof; and,

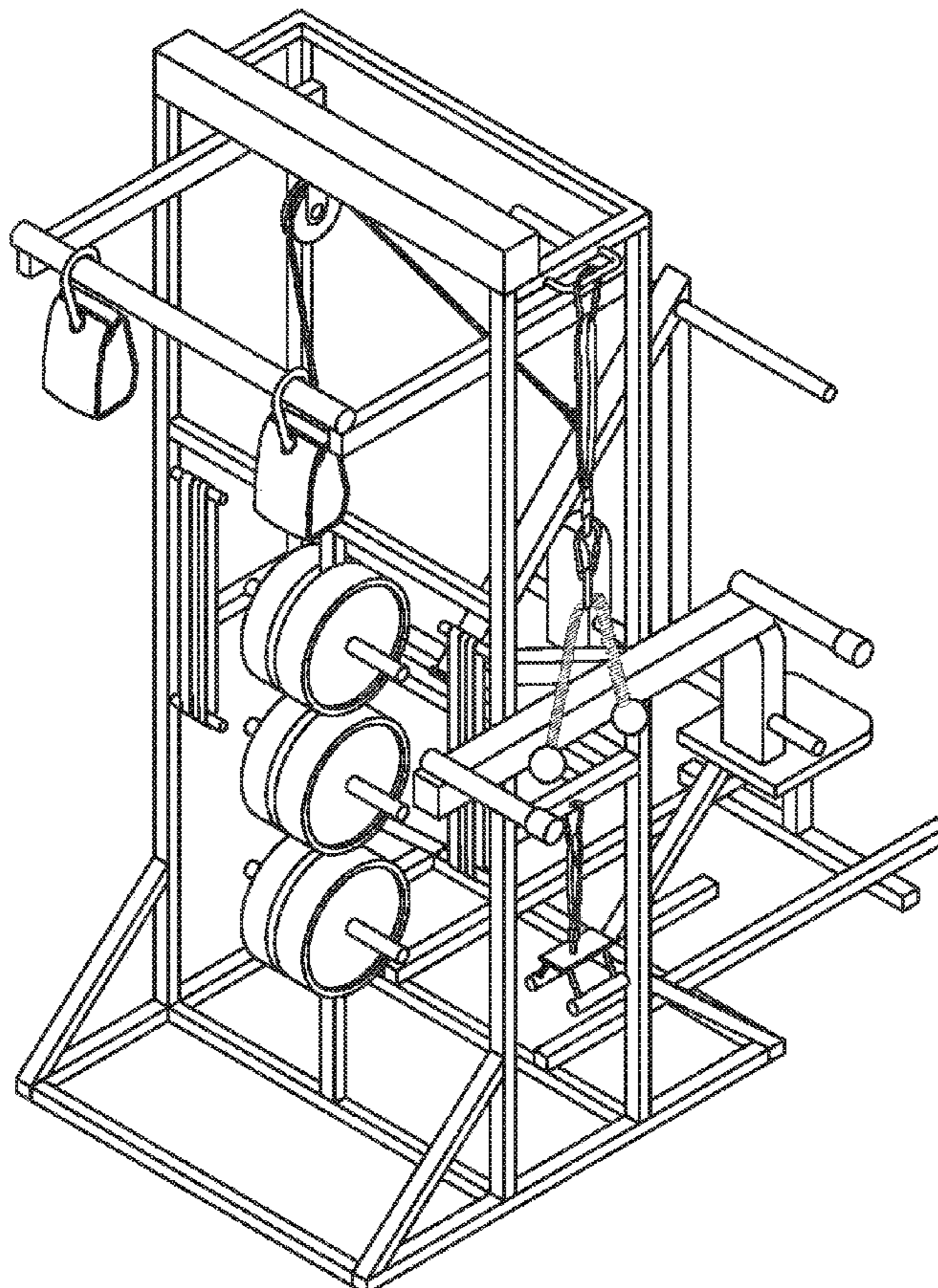
FIG. 6 is a top plan view thereof.

1 Claim, 5 Drawing Sheets

(56) **References Cited**

U.S. PATENT DOCUMENTS

2,932,509	A *	4/1960	Zinkin	482/97
D204,397	S *	4/1966	Marcyan et al.	D21/675
3,850,431	A *	11/1974	Winans	482/98
4,149,714	A *	4/1979	Lambert, Jr.	482/100
4,188,029	A *	2/1980	Brower et al.	482/38
4,257,590	A *	3/1981	Sullivan et al.	482/94
D262,812	S *	1/1982	Lambert et al.	D21/675
4,989,859	A *	2/1991	Jones	482/10
D324,710	S *	3/1992	Habing	D21/675



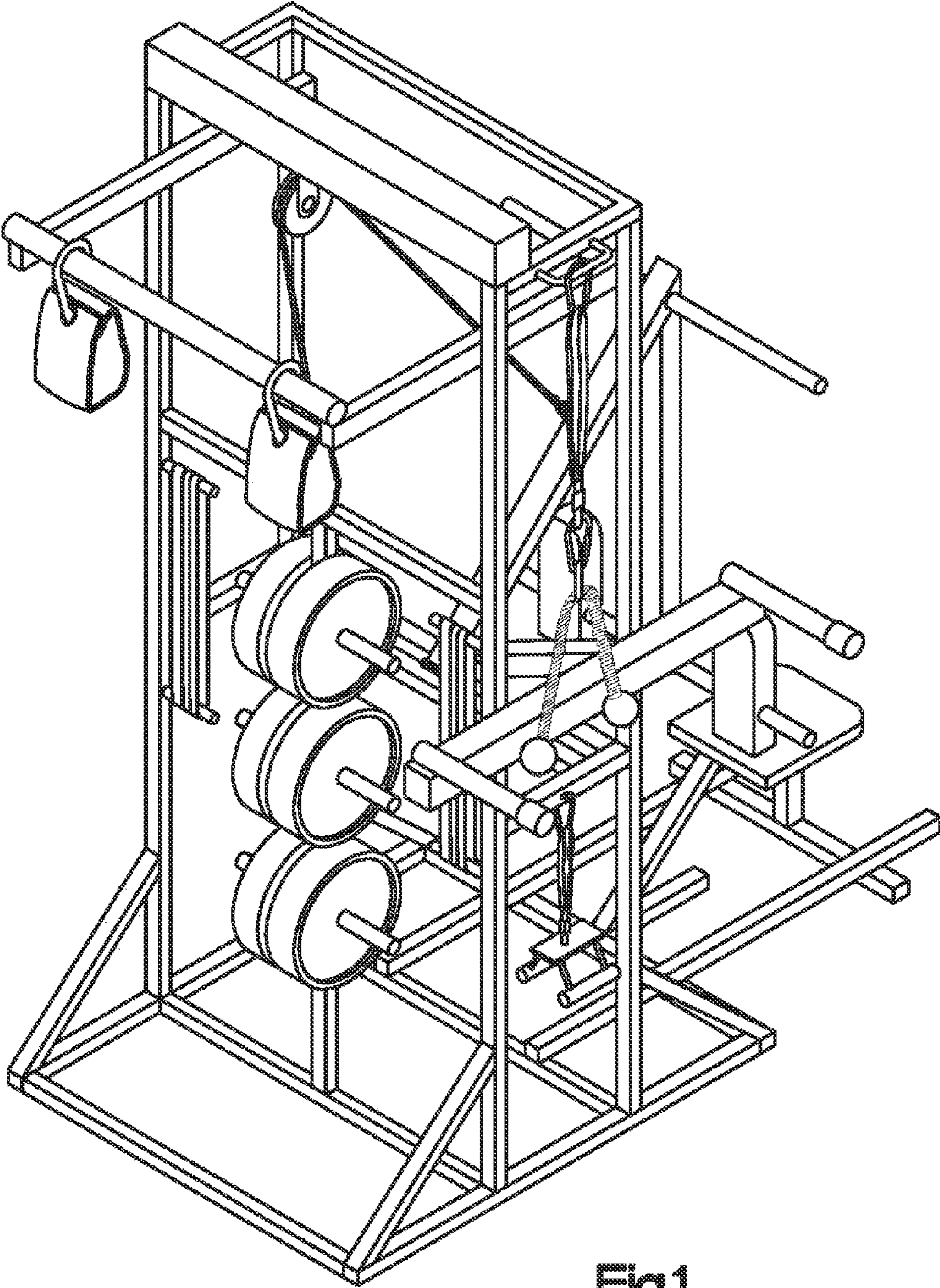


Fig.1

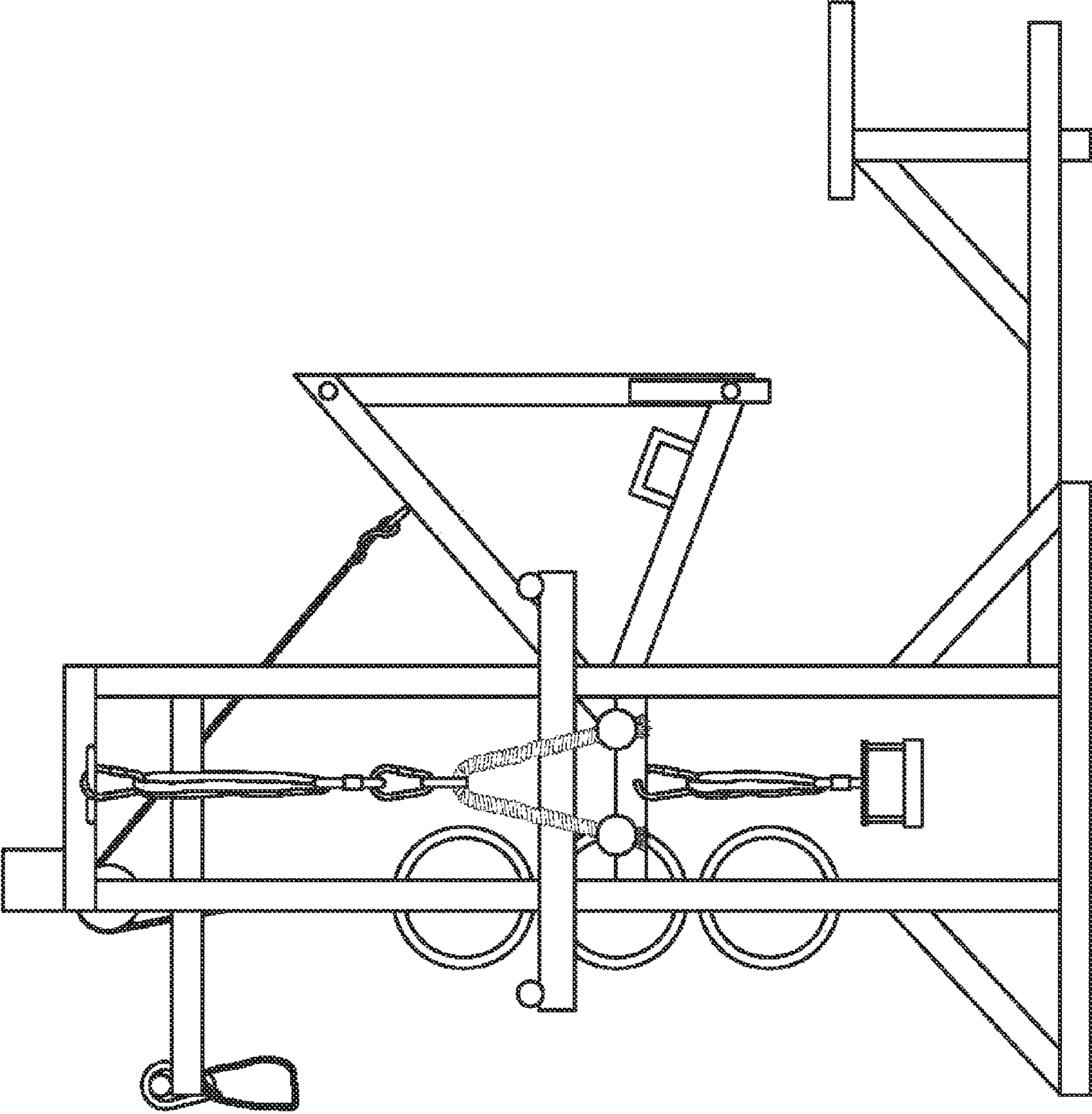


Fig.2

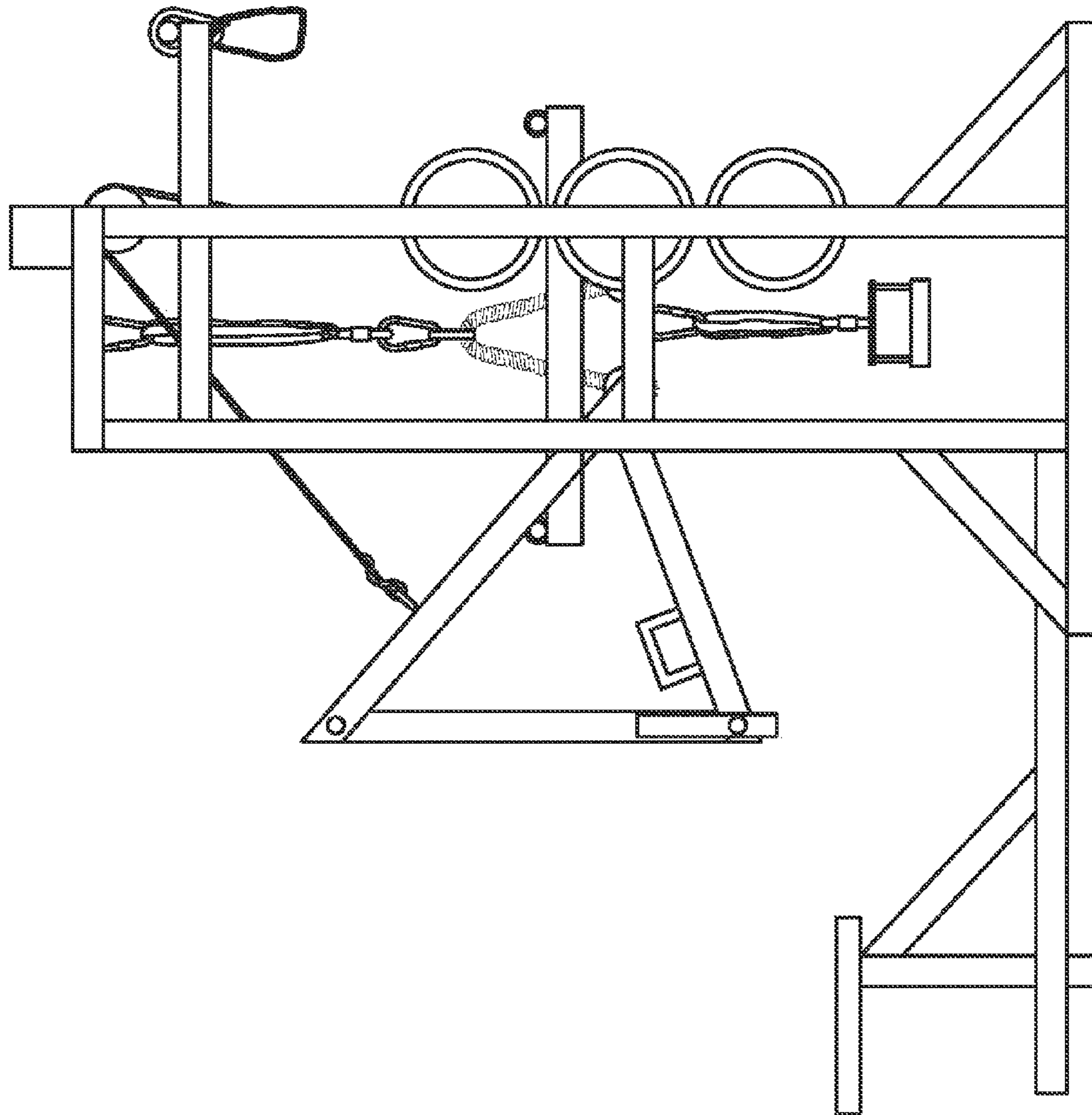


Fig.3

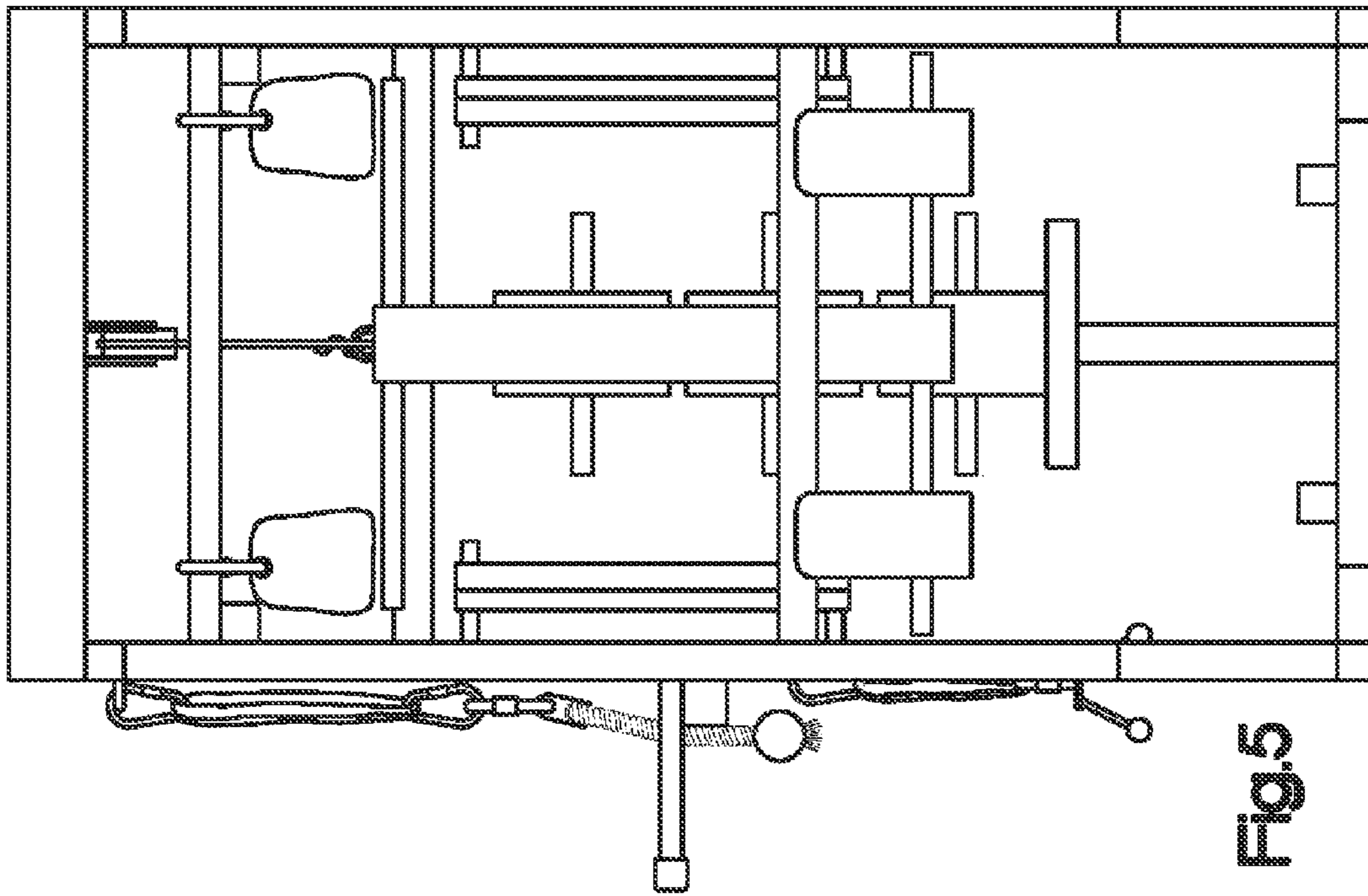


Fig. 5

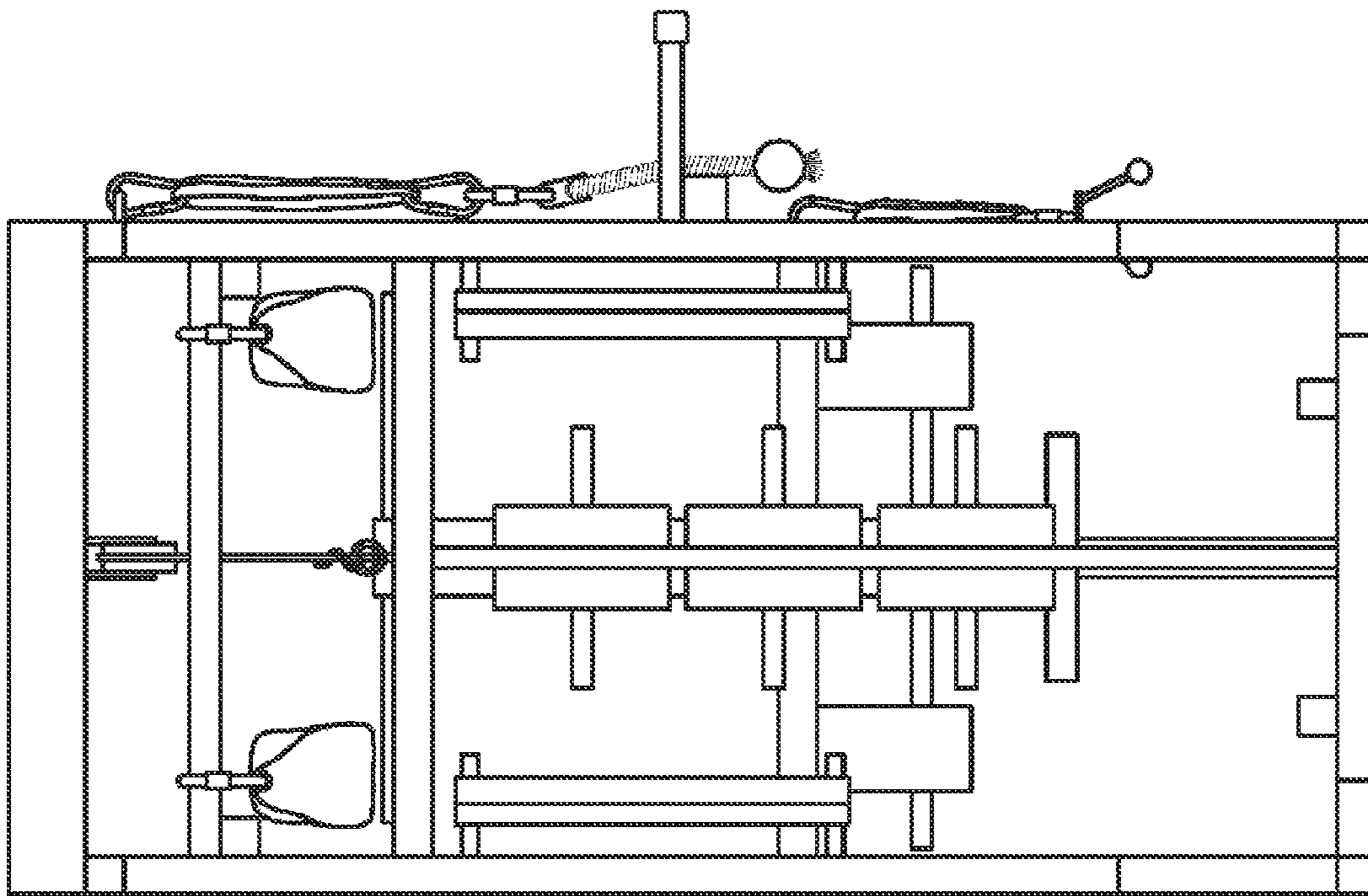


Fig. 4

