



US00D650871S

(12) **United States Design Patent**
Sarns et al.

(10) **Patent No.:** **US D650,871 S**

(45) **Date of Patent:** **** Dec. 20, 2011**

(54) **RECUMBENT STEPPER**

(75) Inventors: **Richard N. Sarns**, Ann Arbor, MI (US);
Joseph M. Sarns, Dexter, MI (US);
Matthew P. Weber, Brighton, MI (US);
Steven W. Sarns, Dexter, MI (US)

(73) Assignee: **Nustep, Inc.**, Ann Arbor, MI (US)

(**) Term: **14 Years**

(21) Appl. No.: **29/390,542**

(22) Filed: **Apr. 26, 2011**

(51) **LOC (9) Cl.** **21-02**

(52) **U.S. Cl.** **D21/670; D21/666**

(58) **Field of Classification Search** D21/662,
D21/663, 666, 667, 670, 691, 694, 697; 482/4,
482/5, 57, 59, 60, 62, 63, 72, 73, 118, 133,
482/137, 138, 142

See application file for complete search history.

(56) **References Cited**

U.S. PATENT DOCUMENTS

4,589,656	A *	5/1986	Baldwin	482/59
4,762,317	A *	8/1988	Camfield et al.	482/62
D306,892	S *	3/1990	Pitzen et al.	D21/665
5,284,462	A *	2/1994	Olschansky et al.	482/62
5,356,356	A *	10/1994	Hildebrandt et al.	482/62
D353,422	S *	12/1994	Bostic et al.	D21/665
D355,942	S *	2/1995	Wu	D21/666
5,580,337	A *	12/1996	Habing et al.	482/57
5,795,270	A *	8/1998	Woods et al.	482/72
5,836,856	A *	11/1998	Mattoo et al.	482/62
6,001,046	A *	12/1999	Chang	482/57
6,042,518	A *	3/2000	Hildebrandt et al.	482/57
D461,210	S *	8/2002	Fon	D21/666

6,652,425	B1 *	11/2003	Martin et al.	482/57
D515,152	S *	2/2006	Corbalis et al.	D21/666
D521,085	S *	5/2006	Kuo	D21/666
D528,172	S *	9/2006	Bingham et al.	D21/666
7,445,584	B2 *	11/2008	Wu	482/57
D610,635	S *	2/2010	Hildebrandt et al.	D21/670
7,775,942	B2 *	8/2010	Hildebrandt et al.	482/62
D640,337	S *	6/2011	Liu	D21/666
7,996,080	B1 *	8/2011	Hartman et al.	607/2
2008/0096731	A1 *	4/2008	Hildebrandt et al.	482/57

* cited by examiner

Primary Examiner — Susan E Krakower

(74) *Attorney, Agent, or Firm* — Brinks Hofer Gilson & Lione

(57) **CLAIM**

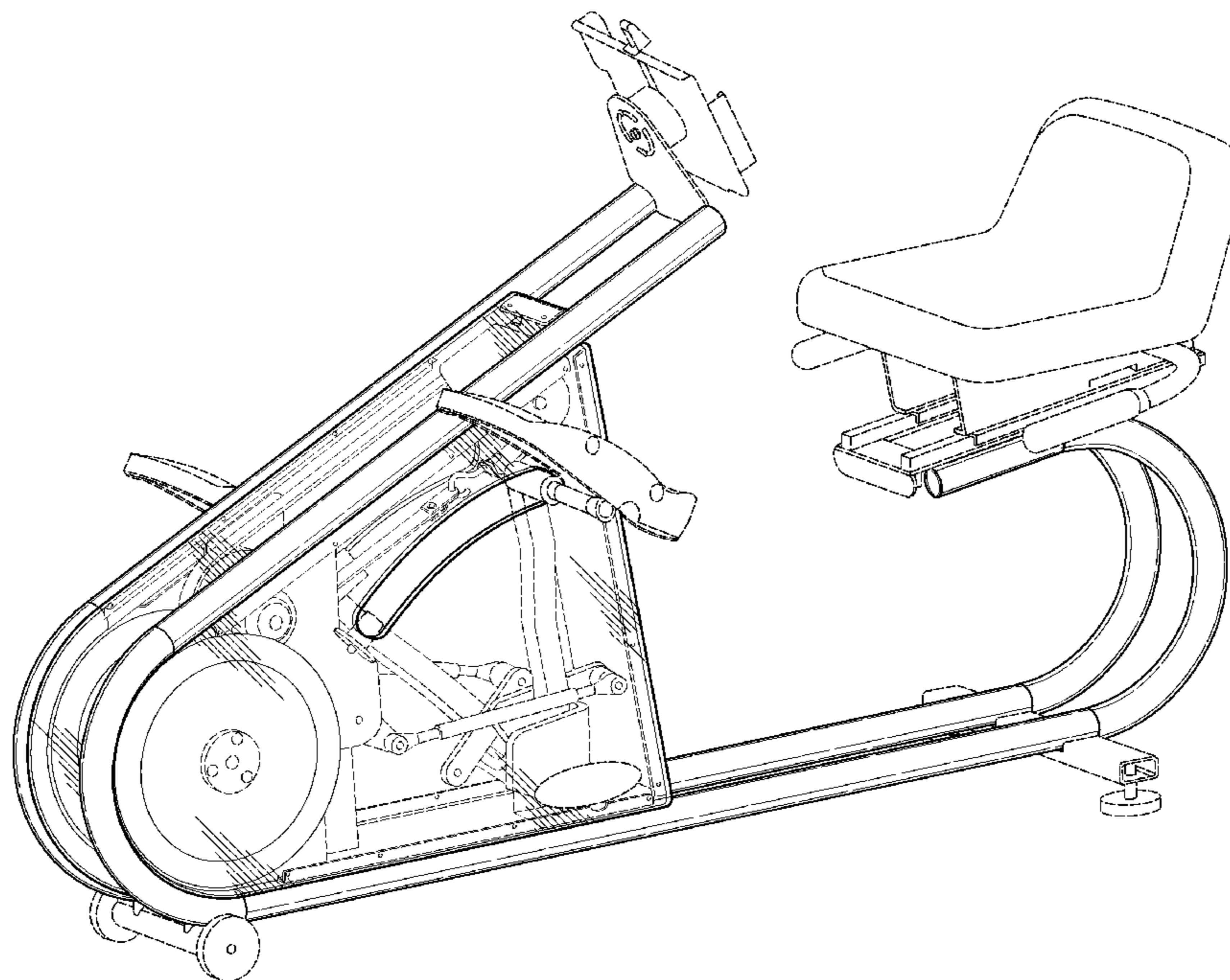
The ornamental design for a recumbent stepper, as shown and described.

DESCRIPTION

FIG. 1 is a front perspective view of the recumbent stepper of the present invention;
FIG. 2 is a left side view of the recumbent stepper shown in FIG. 1;
FIG. 3 is a right side view of the recumbent stepper shown in FIG. 1;
FIG. 4 is a top view of the recumbent stepper shown in FIG. 1;
FIG. 5 is a rear view of the recumbent stepper shown in FIG. 1; and,
FIG. 6 is a front view of the recumbent stepper shown in FIG. 1.

The broken lines illustrate portions of the Recumbent Stepper which form no part of the claimed design.

1 Claim, 5 Drawing Sheets



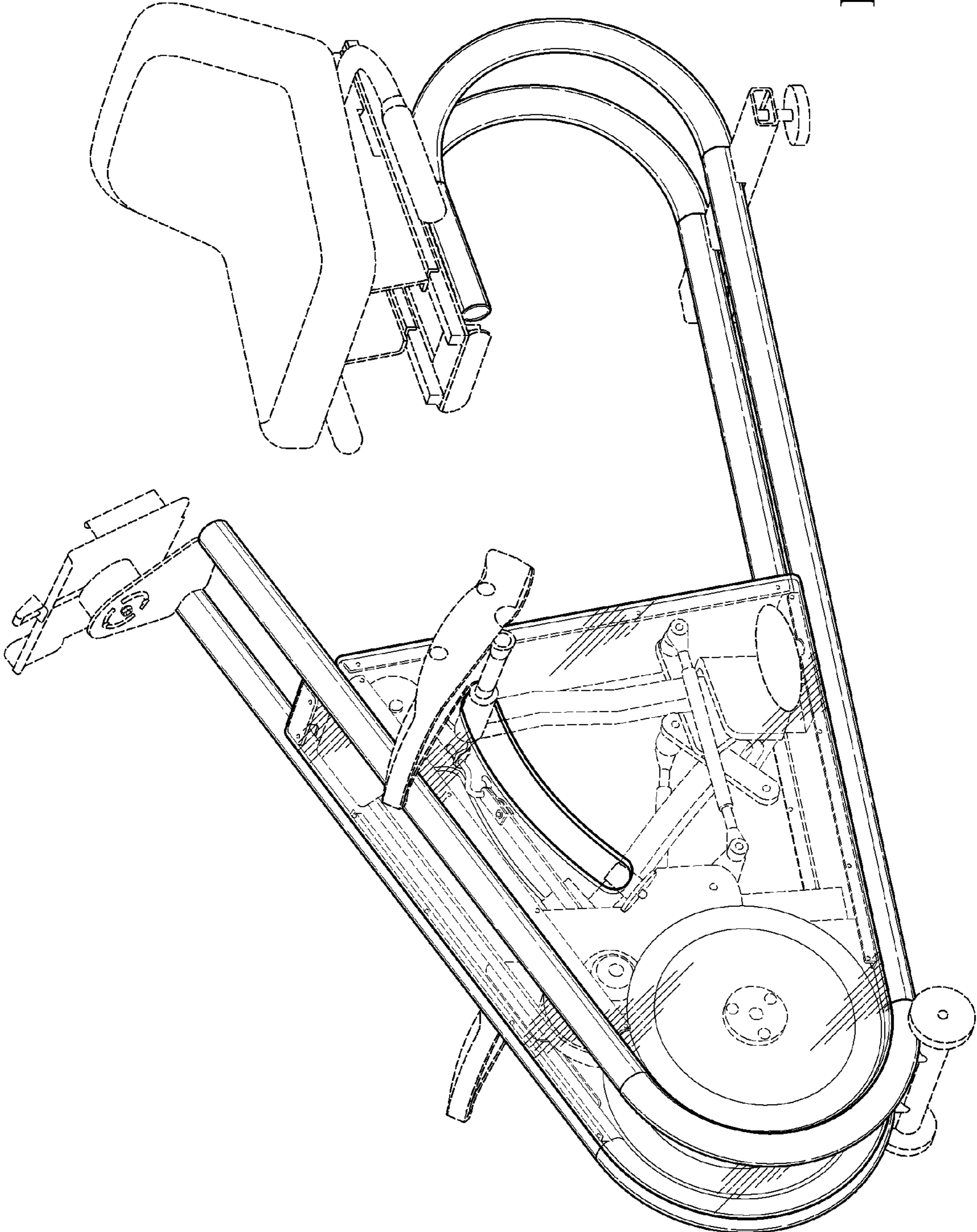


Fig. 1

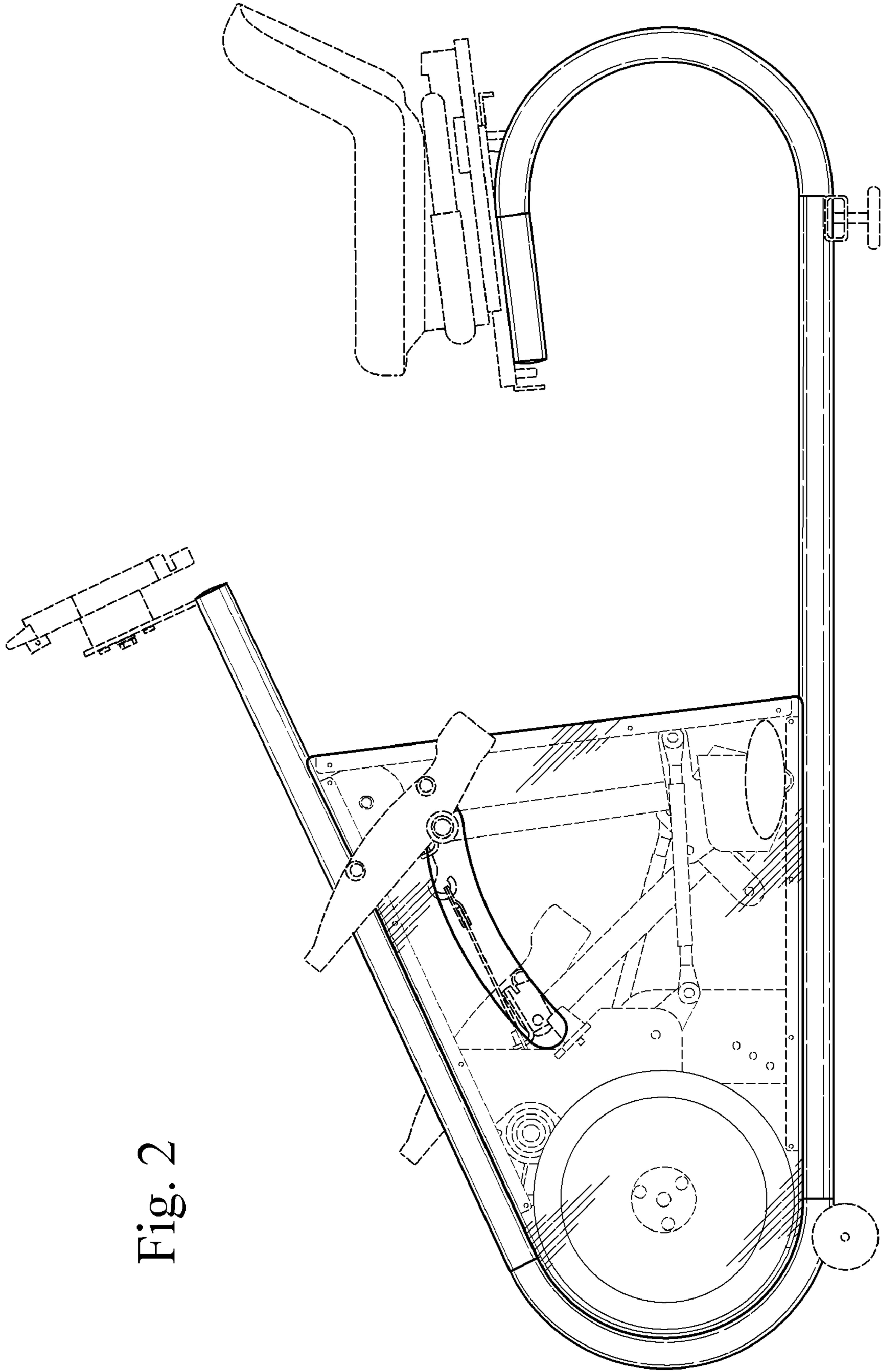
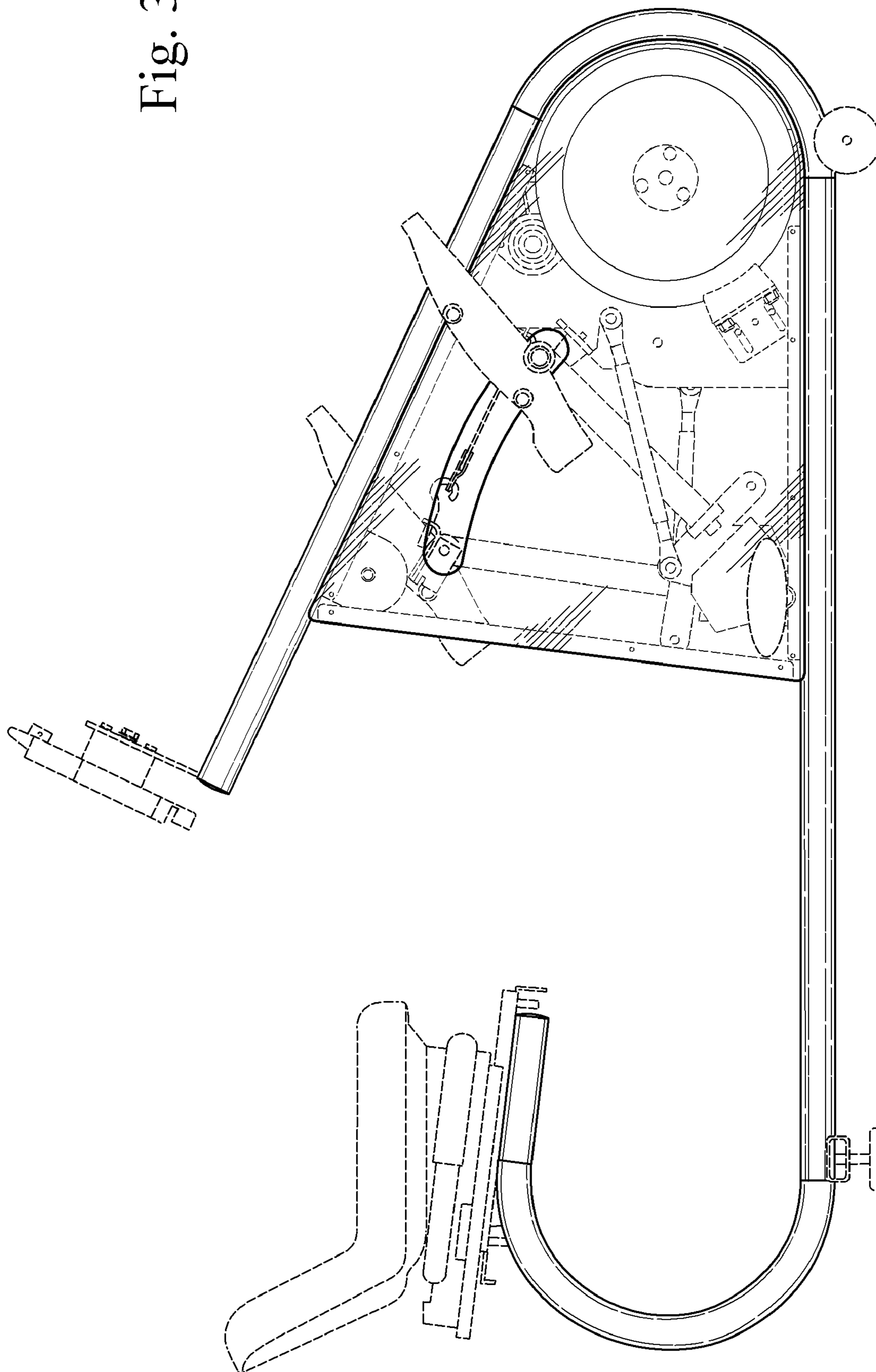


Fig. 2

Fig. 3



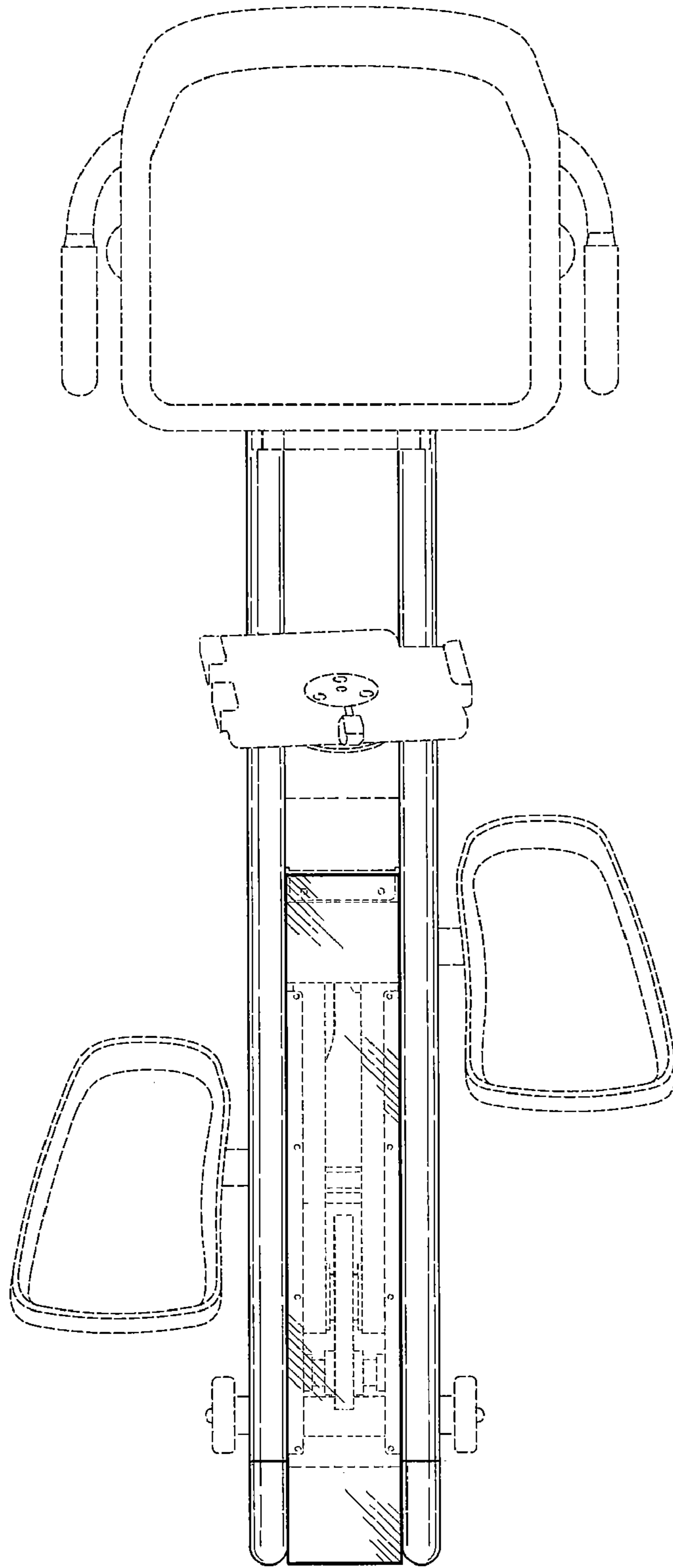


Fig. 4

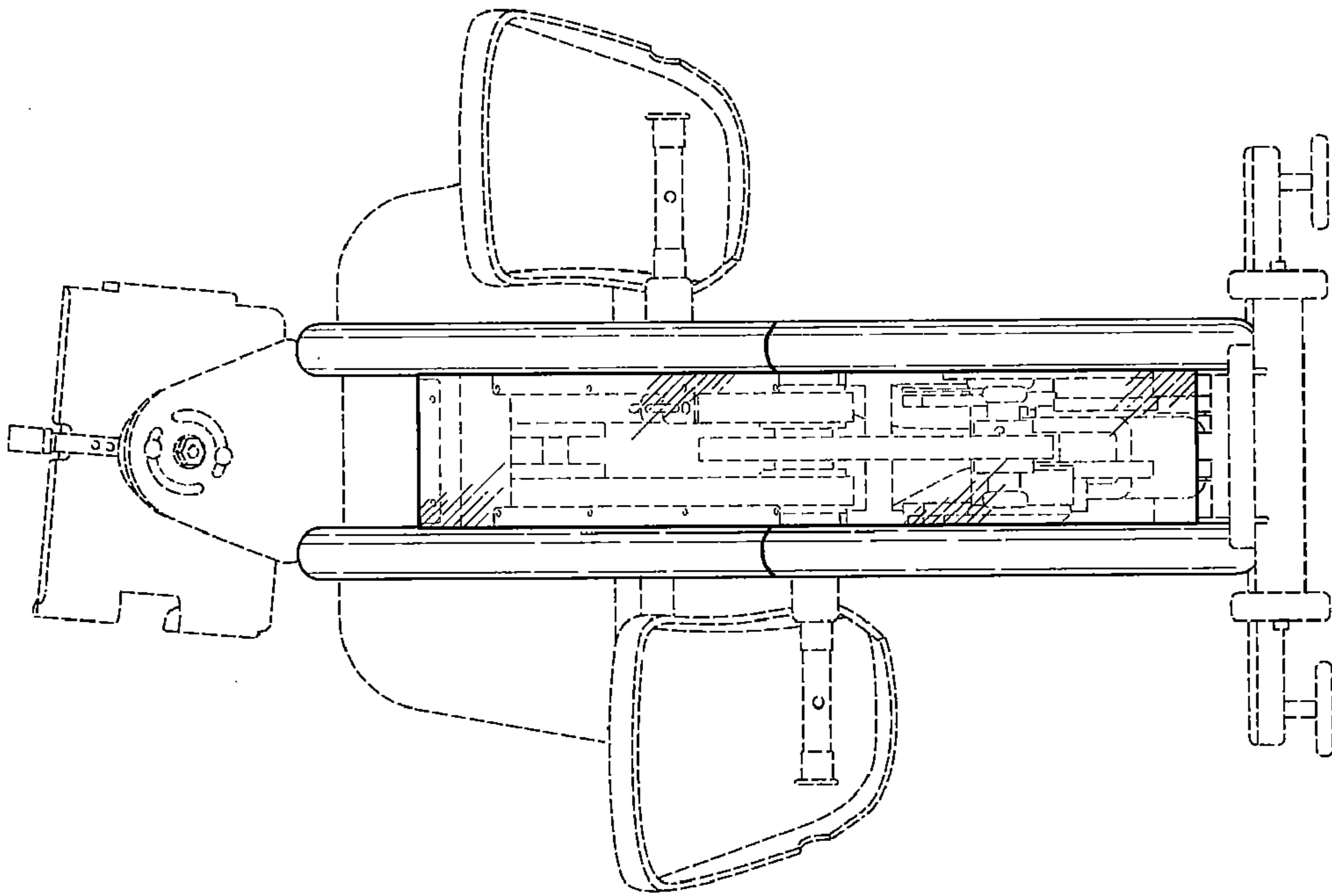


Fig. 6

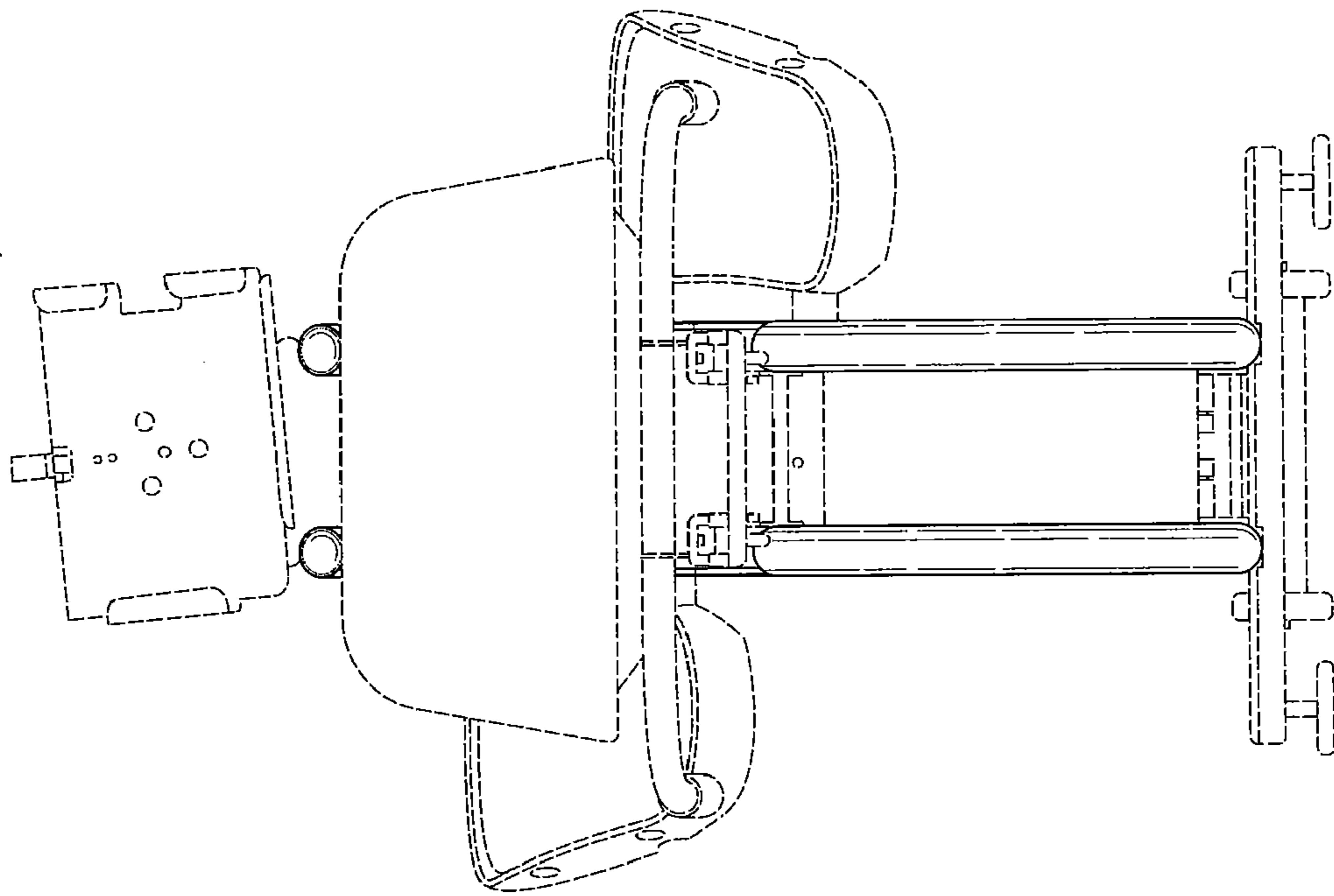


Fig. 5