



US00D650870S

(12) **United States Design Patent**
Citterio

(10) **Patent No.:** **US D650,870 S**

(45) **Date of Patent:** **** Dec. 20, 2011**

(54) **EXERCISE DEVICE**

D553,698 S * 10/2007 Pyles et al. D21/697
D621,889 S * 8/2010 Horita et al. D21/663

* cited by examiner

(75) Inventor: **Antonio Citterio**, Milan (IT)

Primary Examiner — Susan E Krakower

(73) Assignee: **Technogym S.p.A.**, Gambettola (FC)
(IT)

(74) *Attorney, Agent, or Firm* — Abelman, Frayne & Schwab

(**) Term: **14 Years**

(57) **CLAIM**

(21) Appl. No.: **29/390,383**

The ornamental design for an exercise device, as shown and described herein.

(22) Filed: **Apr. 25, 2011**

DESCRIPTION

(30) **Foreign Application Priority Data**

Oct. 25, 2010 (EM) 001772583-0001

(51) **LOC (9) Cl.** **21-02**

(52) **U.S. Cl.** **D21/663; D21/666**

(58) **Field of Classification Search** D21/662–670,
D21/694, 697; 482/51–52, 57–65; 280/266,
280/282, 284, 288.1, 288.3, 304.4, 835; D12/111
See application file for complete search history.

FIG. 1 is a top, front, and left side perspective view of an exercise device, according to the present invention;

FIG. 2 is a left side view of the exercise device of FIG. 1;

FIG. 3 is a front view of the exercise device of FIG. 1;

FIG. 4 is a right side view of the exercise device of FIG. 1;

FIG. 5 is a rear view of the exercise device of FIG. 1; and,

FIG. 6 is a top view of the exercise device of FIG. 1.

The bottom of the exercise device is flat and unornamented. The broken lines showing foot pedal assemblies of the exercise device in the drawing views are included for the purpose of showing the environment of the exercise device and forms no part of the claimed design.

The broken lines showing cup holder assemblies of the exercise device in the drawing views are included for the purpose of showing the environment of the exercise device and forms no part of the claimed design.

The broken lines showing the rollers and feet on the bottom of the exercise device in the drawing views are included for the purpose of showing the environment of the exercise device and forms no part of the claimed design.

The broken lines shown on the top side of the monitor assembly of the exercise device in the drawing views are included for the purpose of showing the environment of the exercise device and forms no part of the claimed design.

The broken lines showing a lever mechanism for adjusting the position of the seat of the exercise device in the drawing views are included for the purpose of showing the environment of the exercise device and forms no part of the claimed design.

(56) **References Cited**

U.S. PATENT DOCUMENTS

4,589,656	A	*	5/1986	Baldwin	482/59
D298,641	S	*	11/1988	Sheltra	D21/666
D300,047	S	*	2/1989	Sheltra	D21/666
D325,946	S	*	5/1992	Cesaroni et al.	D21/663
D338,509	S	*	8/1993	Gustafsson	D21/667
D353,422	S	*	12/1994	Bostic et al.	D21/665
D367,688	S	*	3/1996	Dixon et al.	D21/665
D369,844	S	*	5/1996	Dupuis	D21/663
6,001,046	A	*	12/1999	Chang	482/57
D437,369	S	*	2/2001	Tsushi	D21/666
D478,135	S	*	8/2003	Mival et al.	D21/663
D479,865	S	*	9/2003	Arai et al.	D21/666
D512,754	S	*	12/2005	Nagano	D21/663
D513,421	S	*	1/2006	Nagano	D21/666
D515,152	S	*	2/2006	Corbalis et al.	D21/666
D521,085	S	*	5/2006	Kuo	D21/666
D526,031	S	*	8/2006	Corbalis et al.	D21/663
D528,172	S	*	9/2006	Bingham et al.	D21/666
D534,226	S	*	12/2006	Corbalis et al.	D21/697

1 Claim, 6 Drawing Sheets

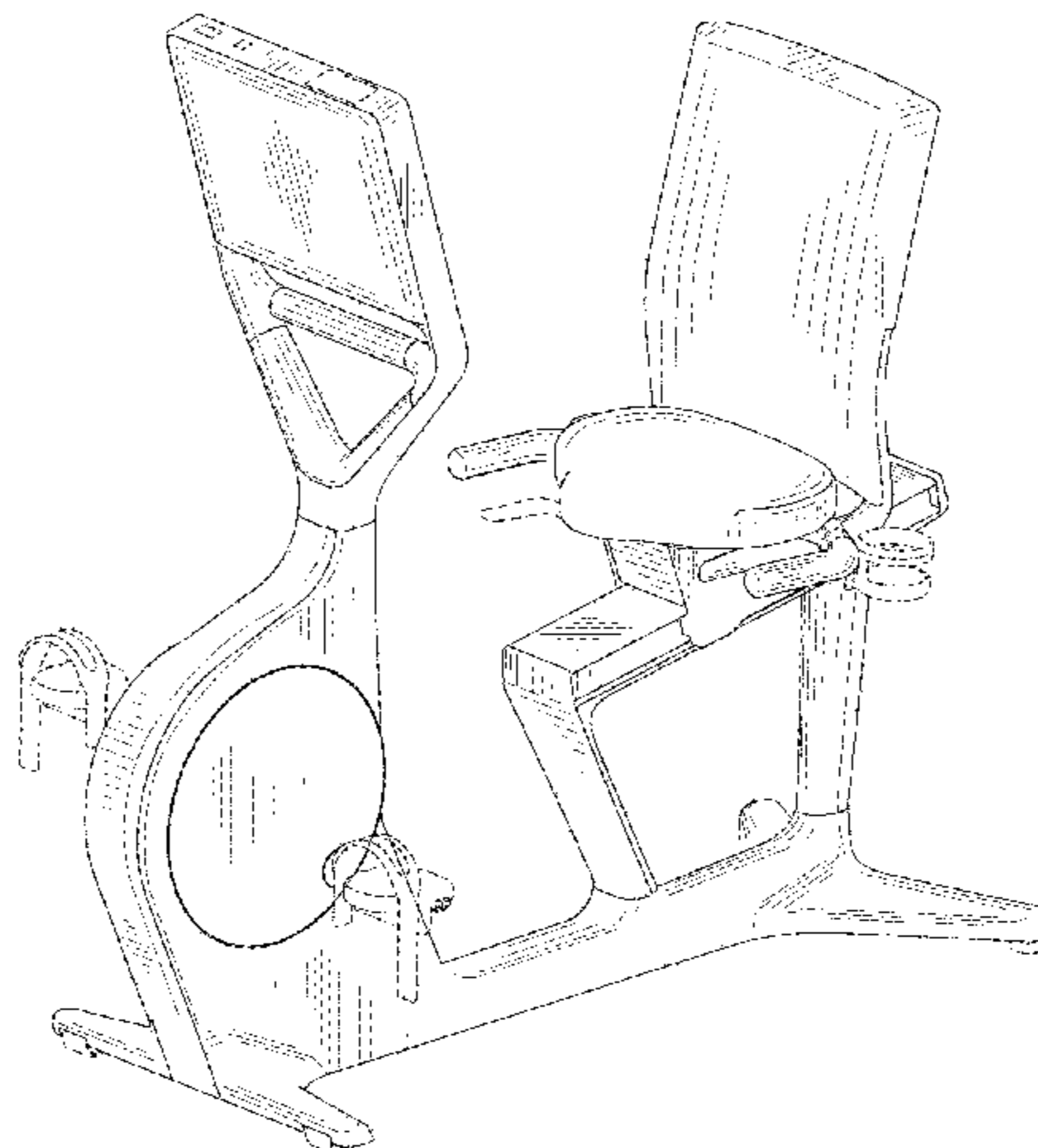


FIG. 1

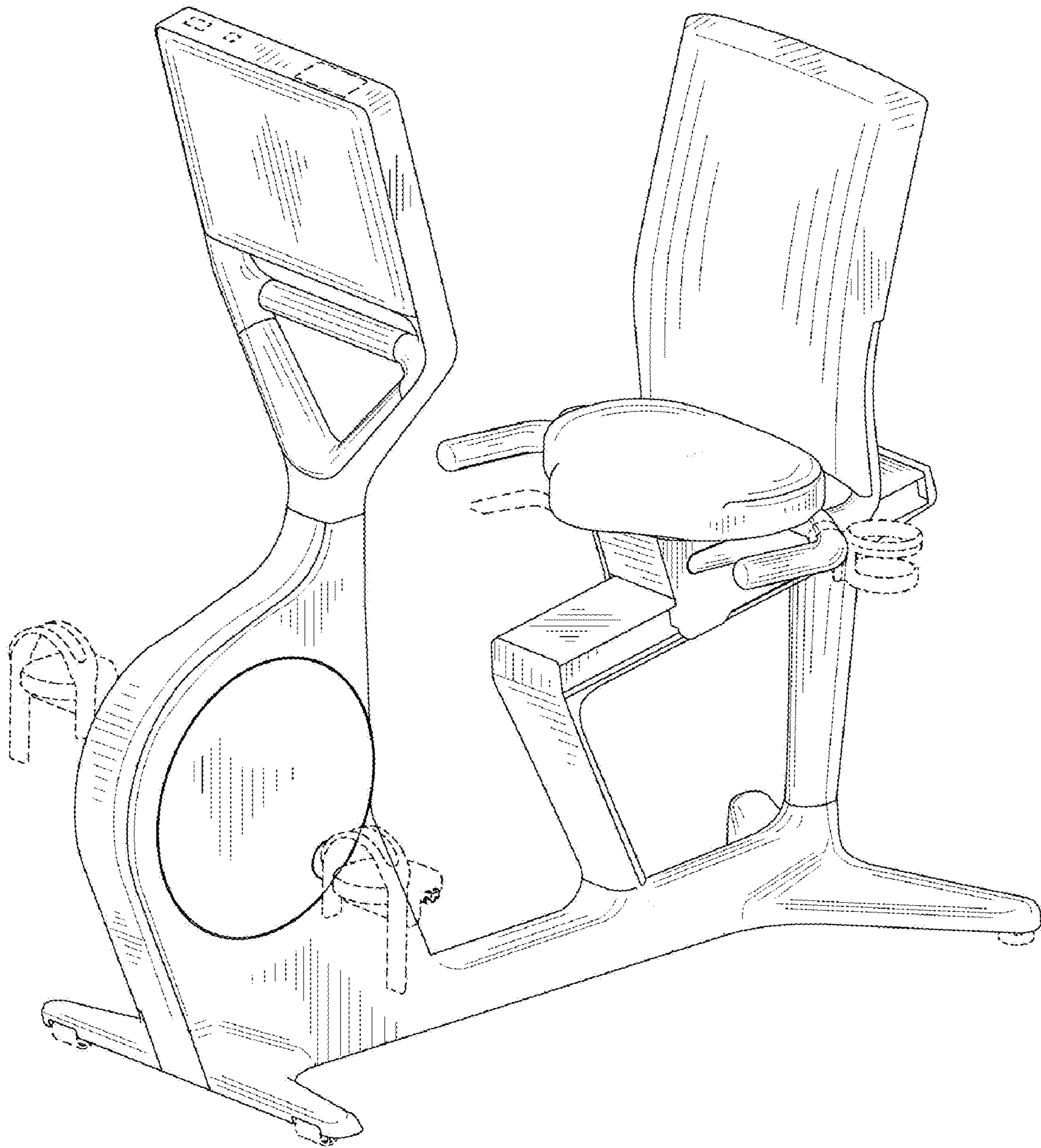


FIG. 2

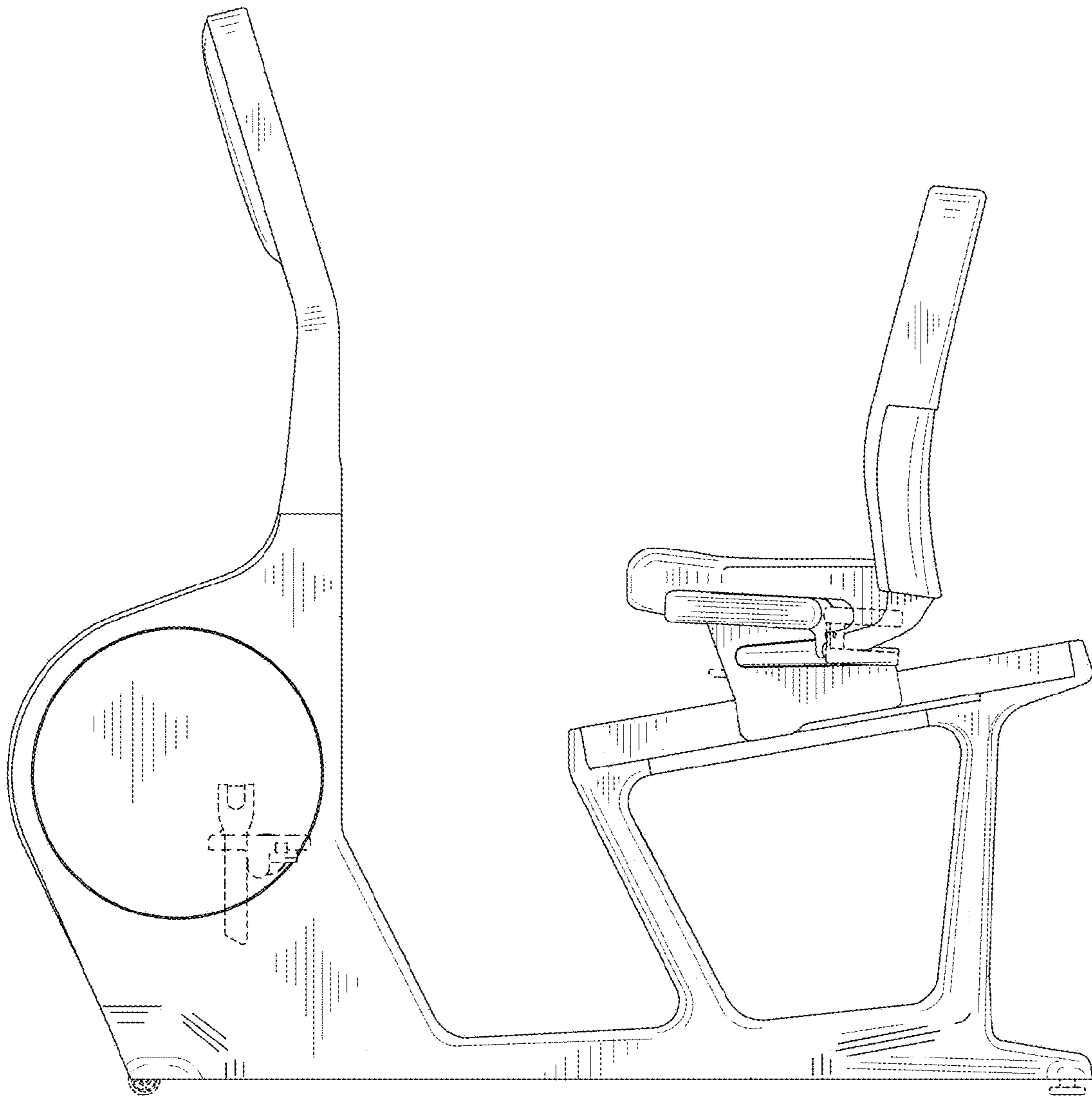


FIG. 3

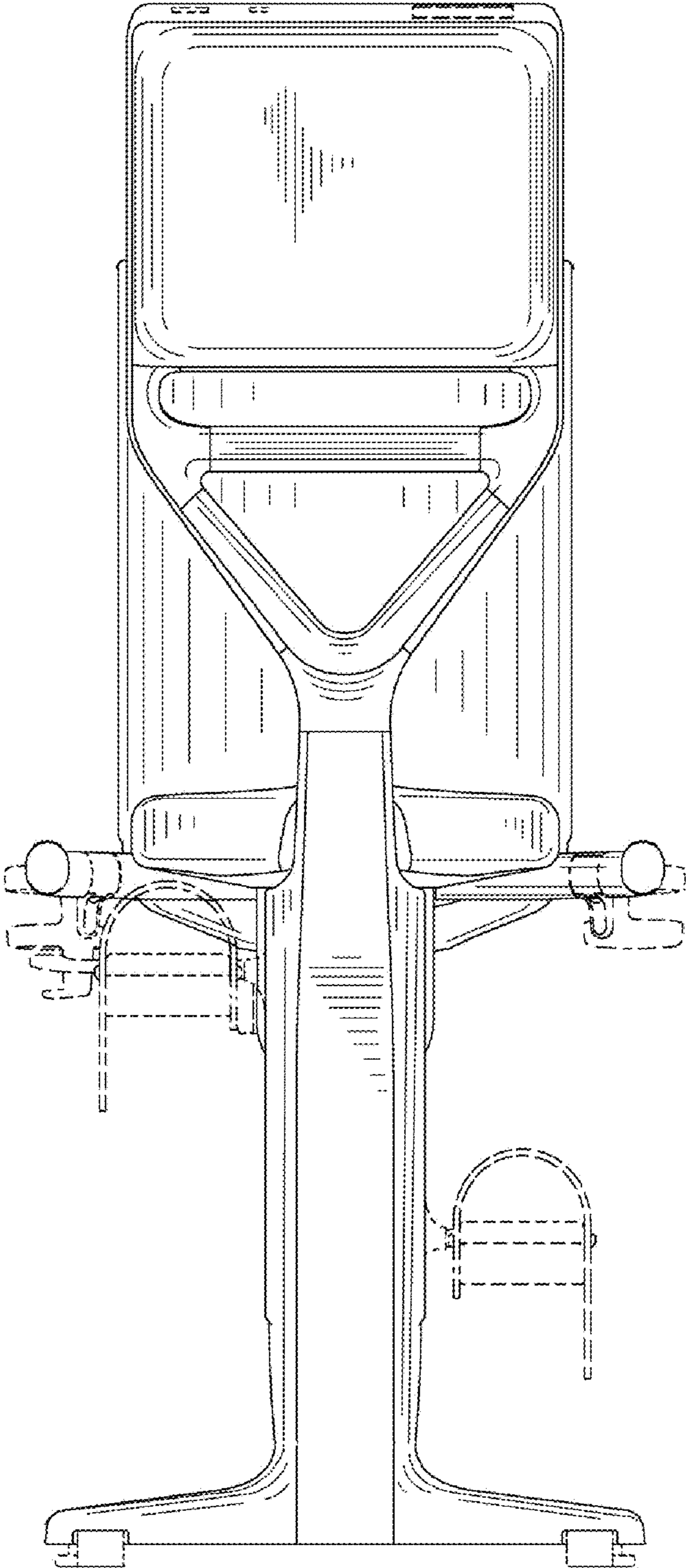


FIG. 4

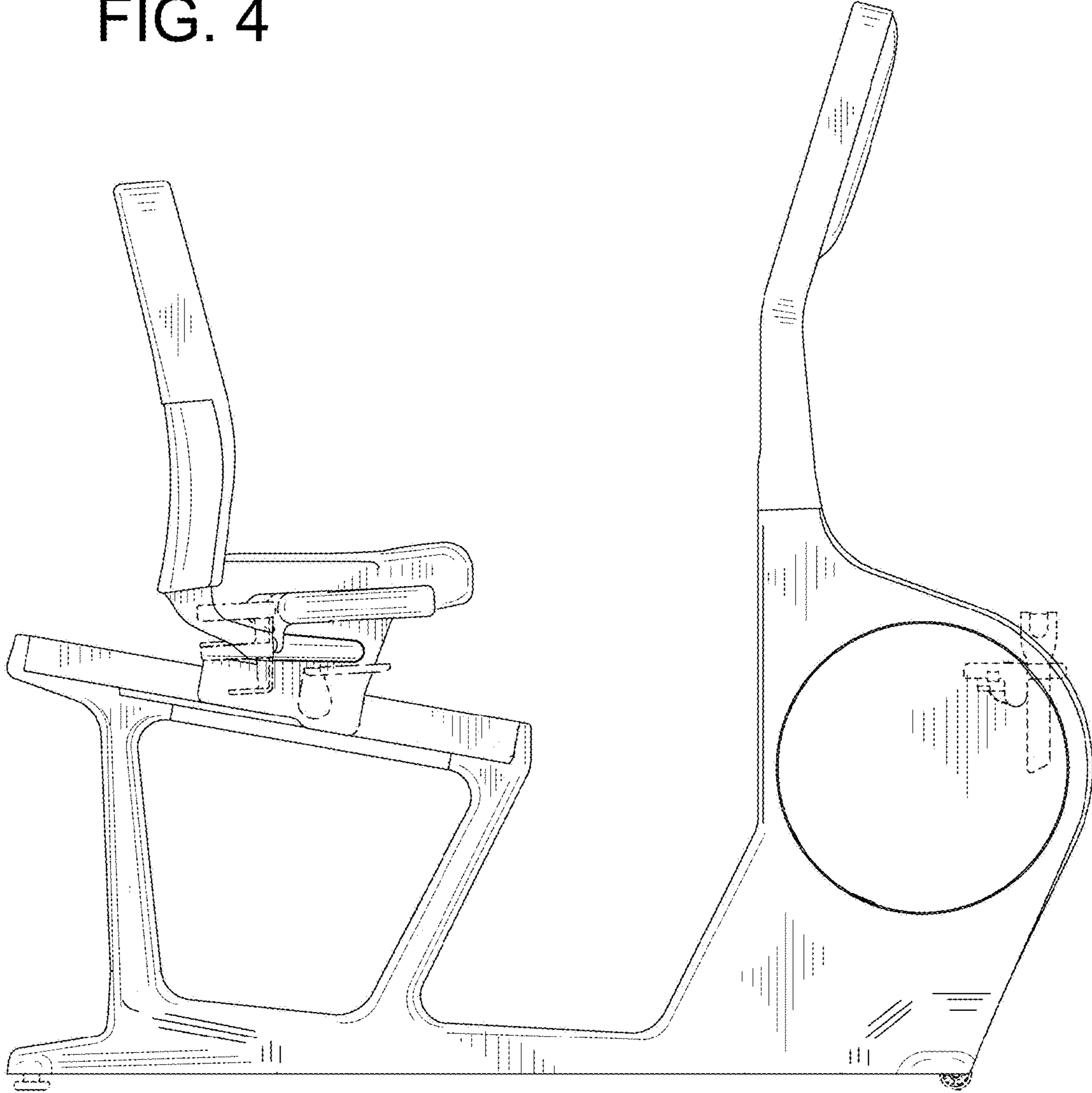


FIG. 5

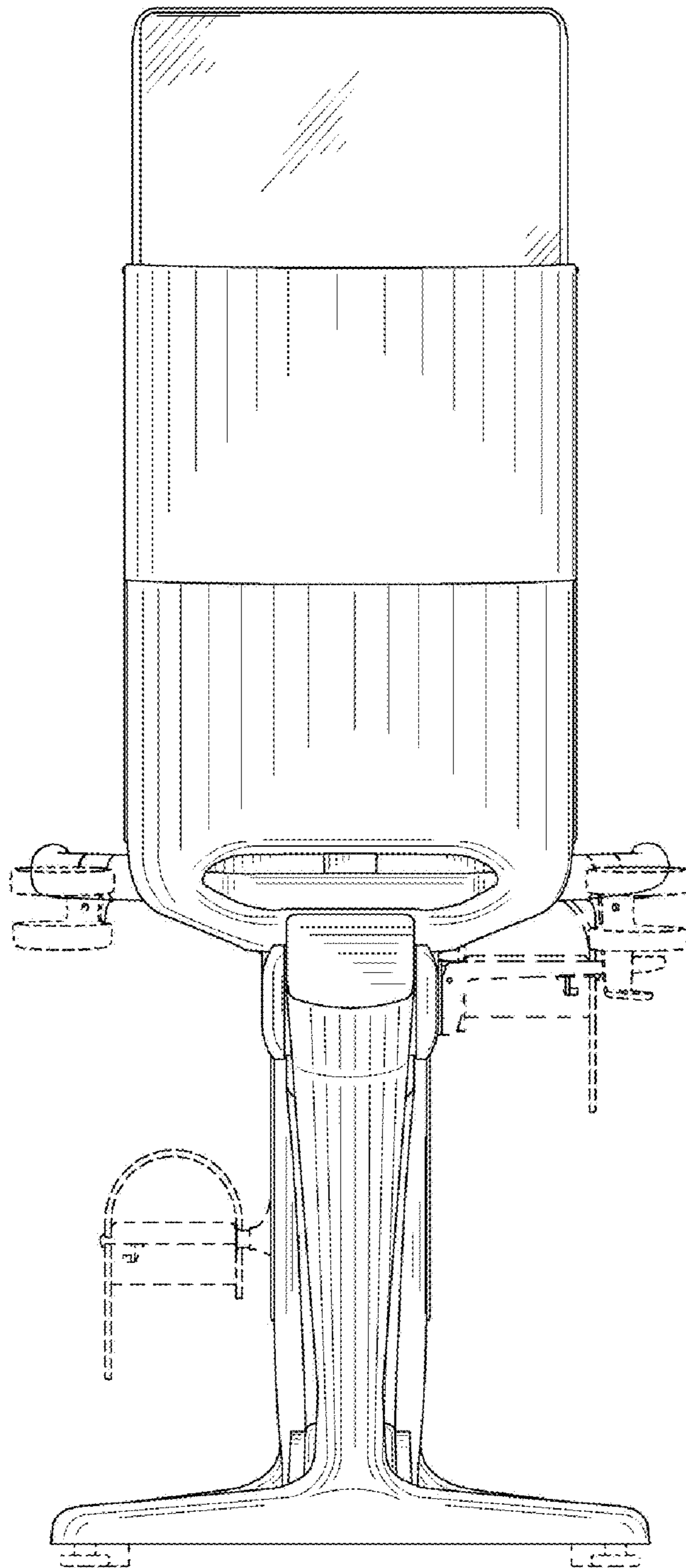


FIG. 6

