



US00D650868S

(12) **United States Design Patent**  
**Dalton et al.**

(10) **Patent No.:** **US D650,868 S**

(45) **Date of Patent:** **\*\* Dec. 20, 2011**

(54) **DOLL WITH LEGS AND PACIFIER**

(75) Inventors: **Laura Dalton**, St. Louis, MO (US);  
**Susan Godfrey**, Scottsdale, AZ (US)

(73) Assignee: **First Friends, LLC.**, St. Louis, MO (US)

(\*\*) Term: **14 Years**

(21) Appl. No.: **29/376,726**

(22) Filed: **Oct. 11, 2010**

**Related U.S. Application Data**

(63) Continuation-in-part of application No. 29/360,942, filed on May 3, 2010, now Pat. No. Des. 633,577.

(51) **LOC (9) Cl.** ..... **21-01**

(52) **U.S. Cl.** ..... **D21/576; D21/655**

(58) **Field of Classification Search** ..... D21/576–578, D21/585–590, 604–605, 611–612, 625, 655, D21/658; D24/195; D11/158–159; 446/71–73, 446/97–98, 269, 292, 368–369  
See application file for complete search history.

(56) **References Cited**

**U.S. PATENT DOCUMENTS**

4,277,910	A	*	7/1981	Kramer	.....	446/73
D287,636	S	*	1/1987	Callju	.....	D21/604
D325,232	S	*	4/1992	Phelps	.....	D21/655
5,344,355	A	*	9/1994	Silverstein	.....	446/72
D392,697	S	*	3/1998	Grasso	.....	D21/605
D402,761	S	*	12/1998	Jones	.....	D21/604
5,871,184	A	*	2/1999	Kaopio	.....	D21/604
D414,828	S	*	10/1999	Sant	.....	D21/612
D415,540	S	*	10/1999	Sant	.....	D21/605
D443,065	S	*	5/2001	Byes et al.	.....	D24/195

6,666,740	B1	12/2003	Schneider	
6,824,112	B2	*	11/2004	Lange ..... 446/73
D500,817	S	*	1/2005	Forte ..... D21/604
D519,581	S	*	4/2006	Velez et al. .... D21/611
D522,593	S	*	6/2006	Kennedy ..... D21/655
D609,284	S	*	2/2010	Markland et al. .... D21/604

\* cited by examiner

*Primary Examiner* — Sandra Morris

(74) *Attorney, Agent, or Firm* — Meschkow & Gresham, P.L.C.

(57) **CLAIM**

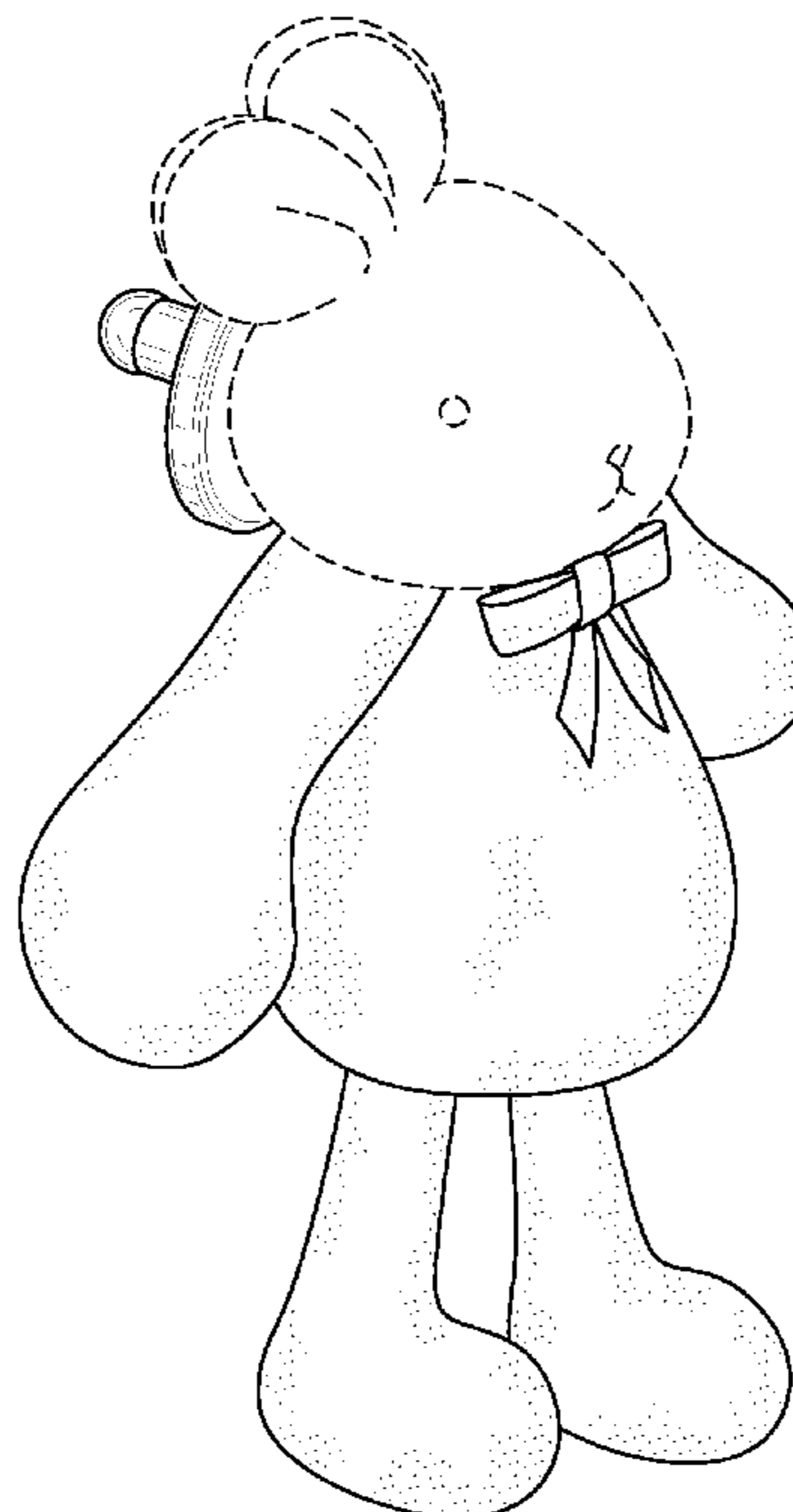
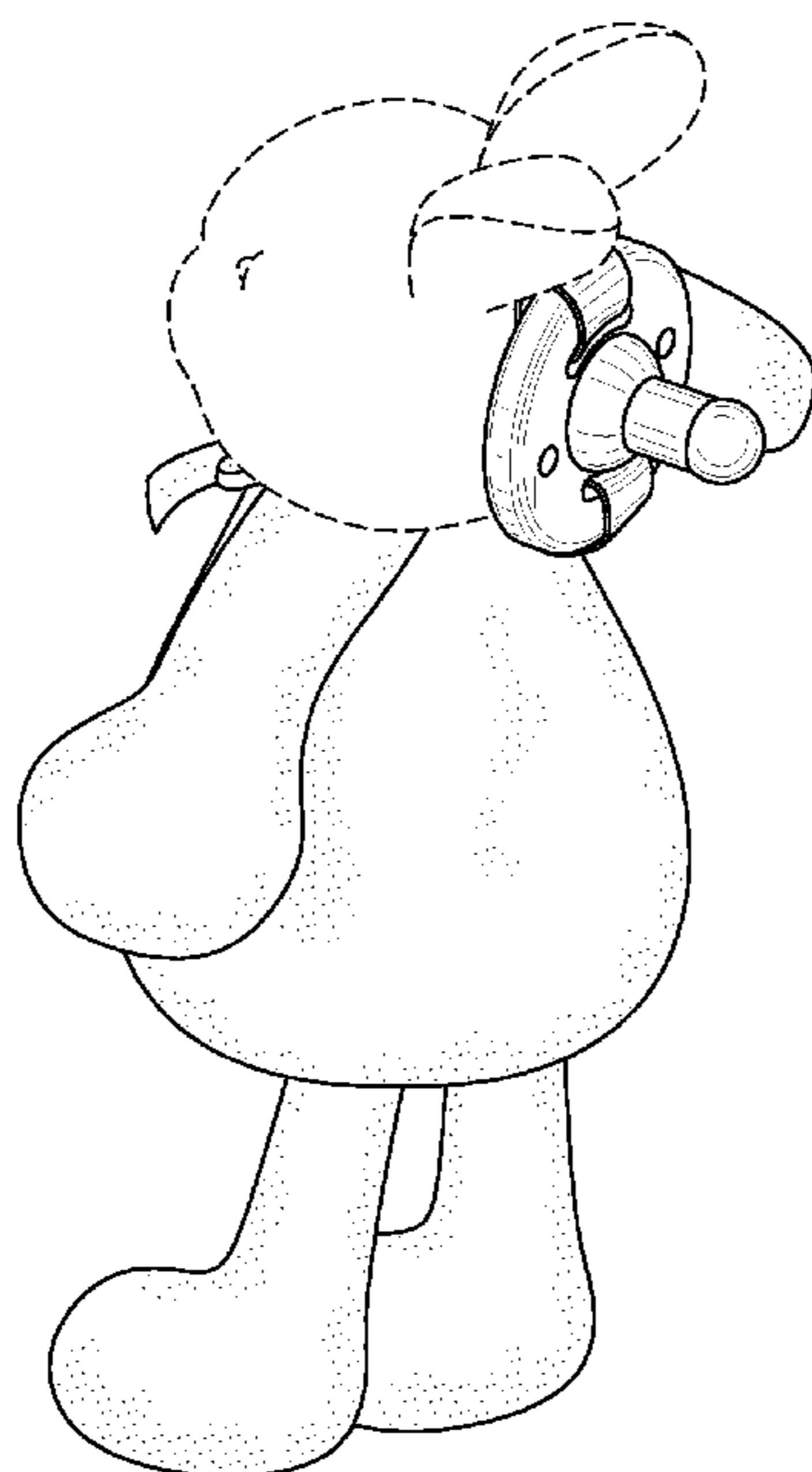
The ornamental design for a doll with legs and pacifier, as shown and described.

**DESCRIPTION**

FIG. 1 is a rear perspective view of a doll with legs and pacifier, showing our new design therefor; FIG. 2 is a front perspective view thereof; FIG. 3 is a front elevational view thereof; FIG. 4 is a rear elevational view thereof; FIG. 5 is a left side view, the right side being a mirror image thereof; FIG. 6 is a top plan view thereof; FIG. 7 is a bottom plan view thereof; FIG. 8 is a rear elevational view of a second embodiment thereof, the front view being the same as in FIG. 3; FIG. 9 is a left side view, the right side being a mirror image thereof; and, FIG. 10 is a top plan view thereof, the bottom being the same as in FIG. 7.

The broken line showing is for illustrative purposes only, and forms no part of the claimed design.

**1 Claim, 4 Drawing Sheets**



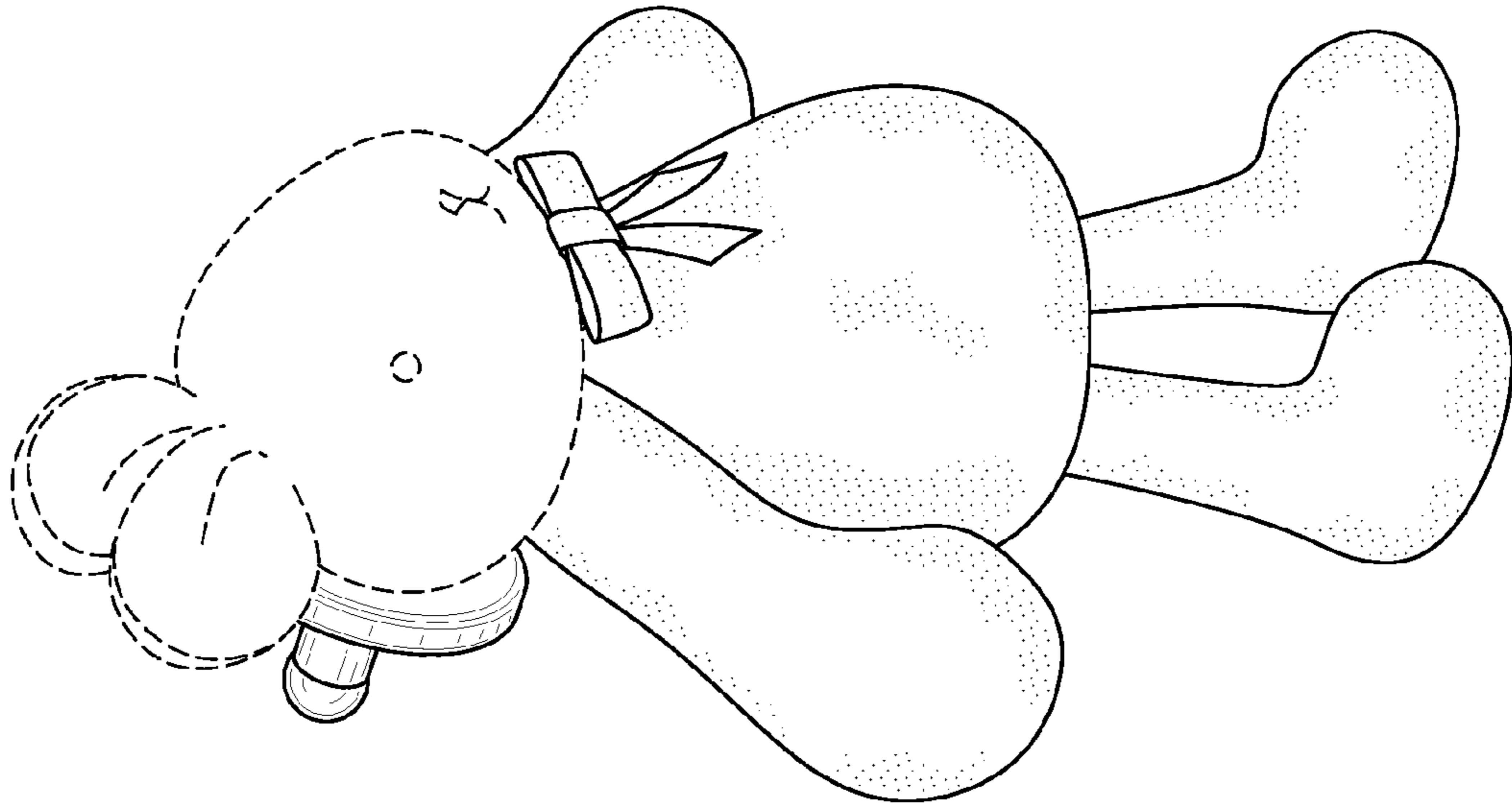


FIG. 2

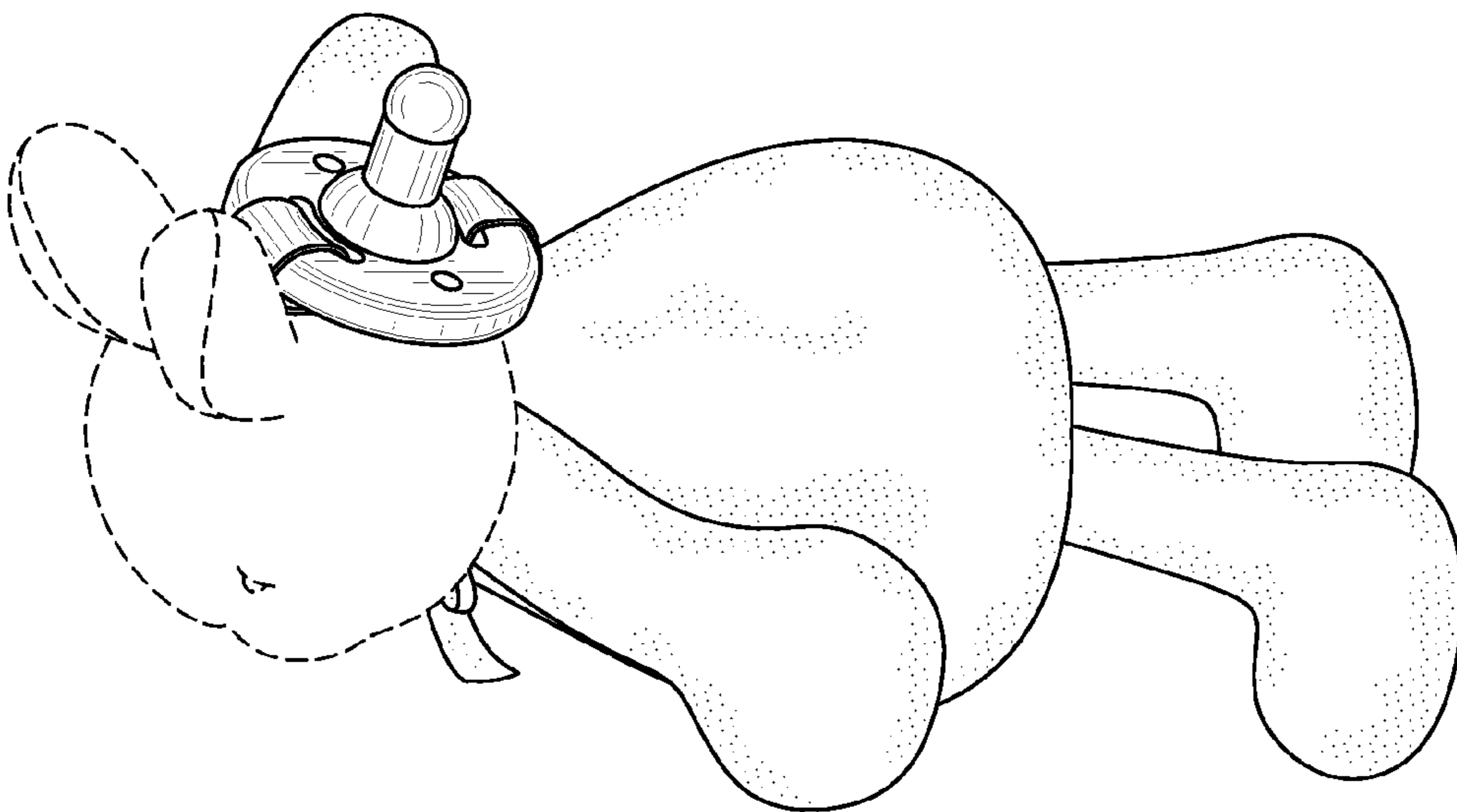


FIG. 1

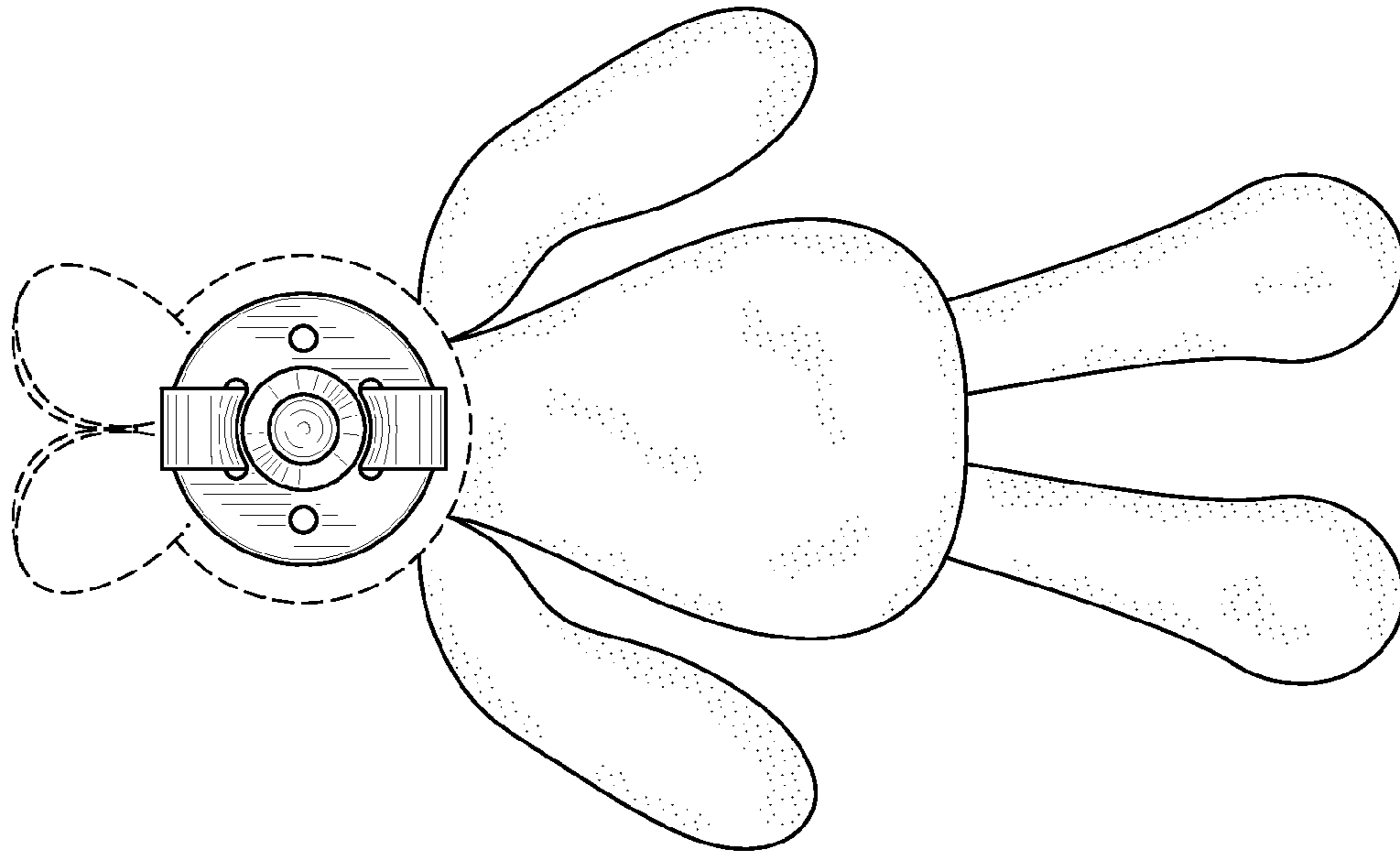


FIG. 4

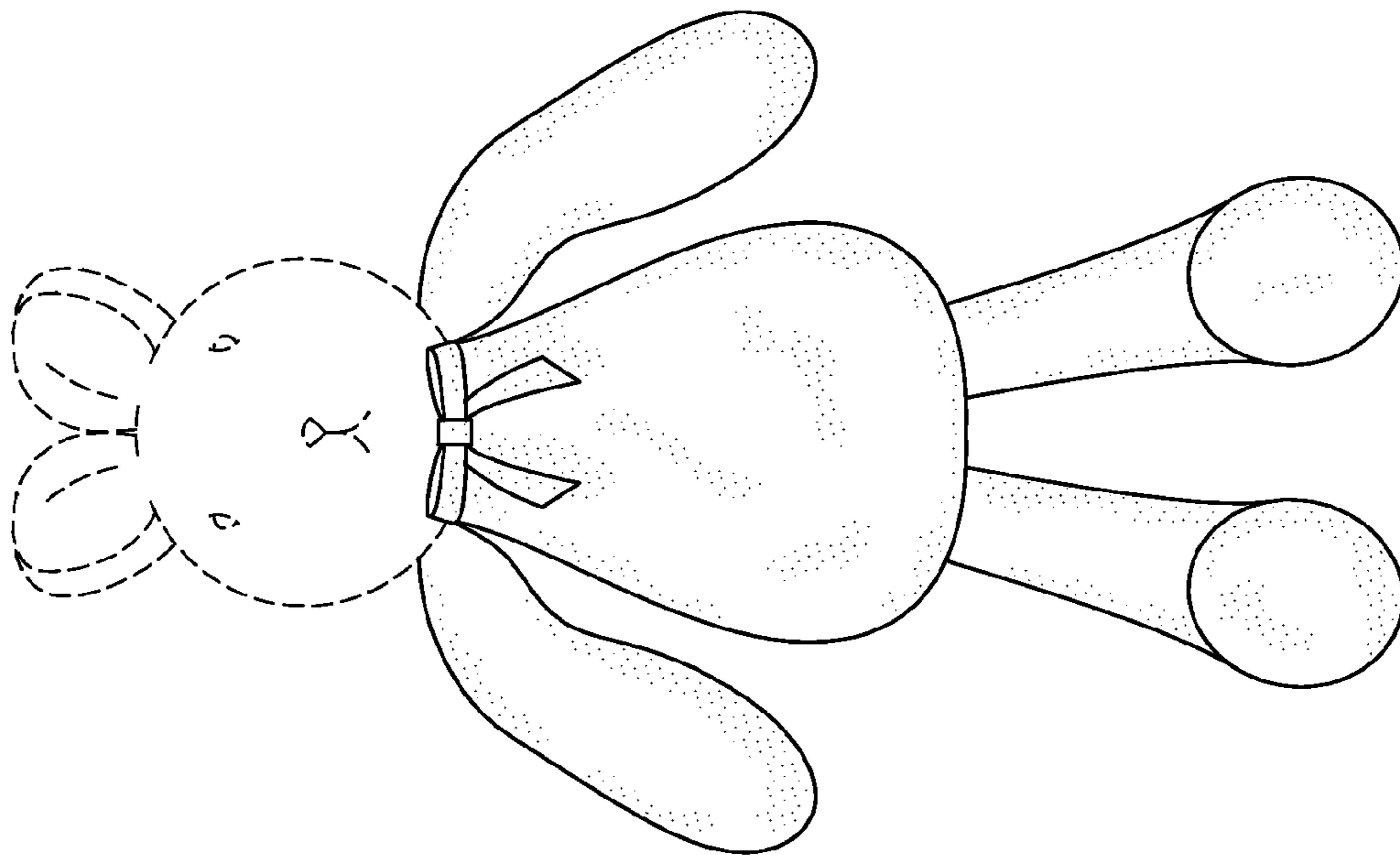


FIG. 3

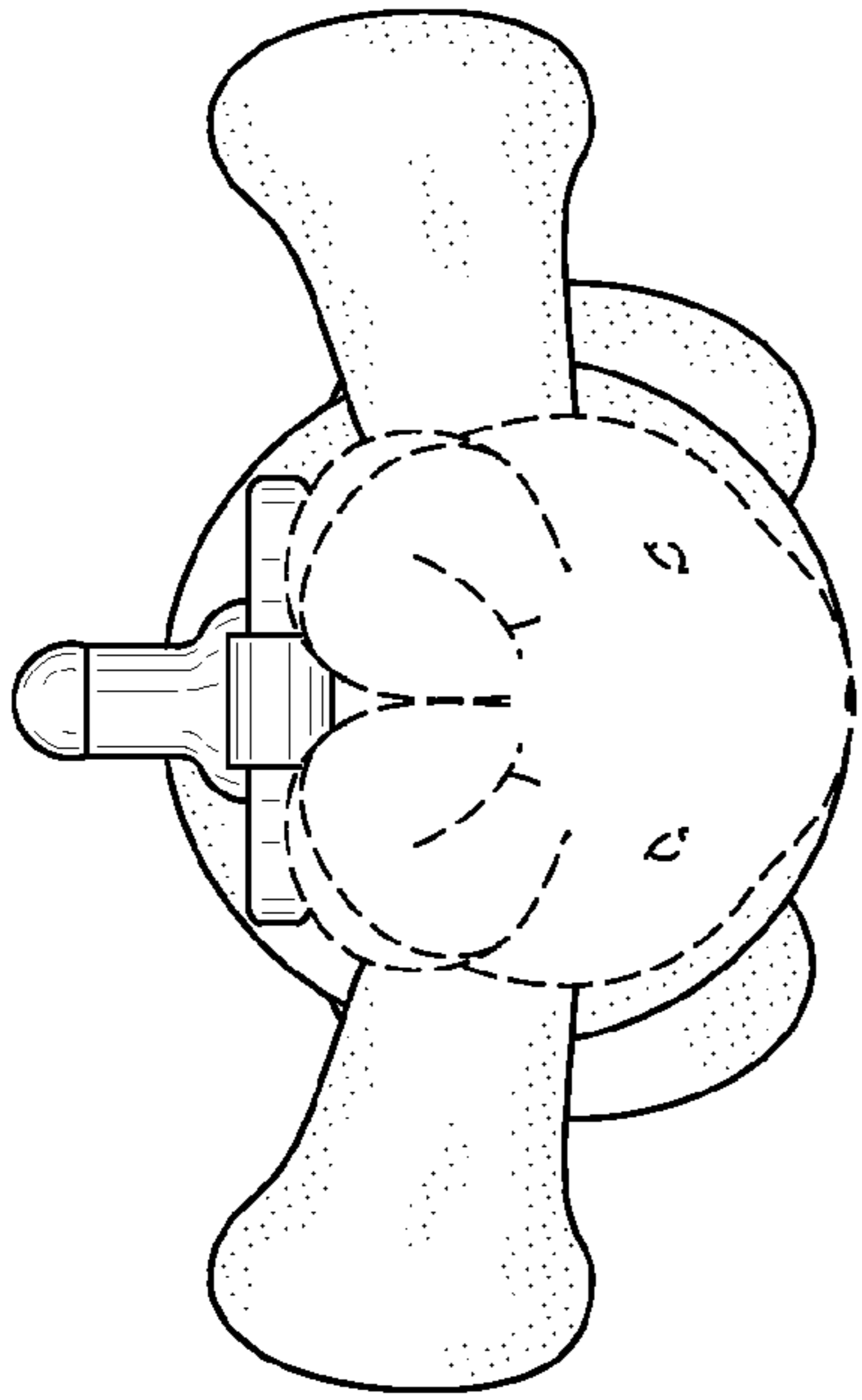


FIG. 6

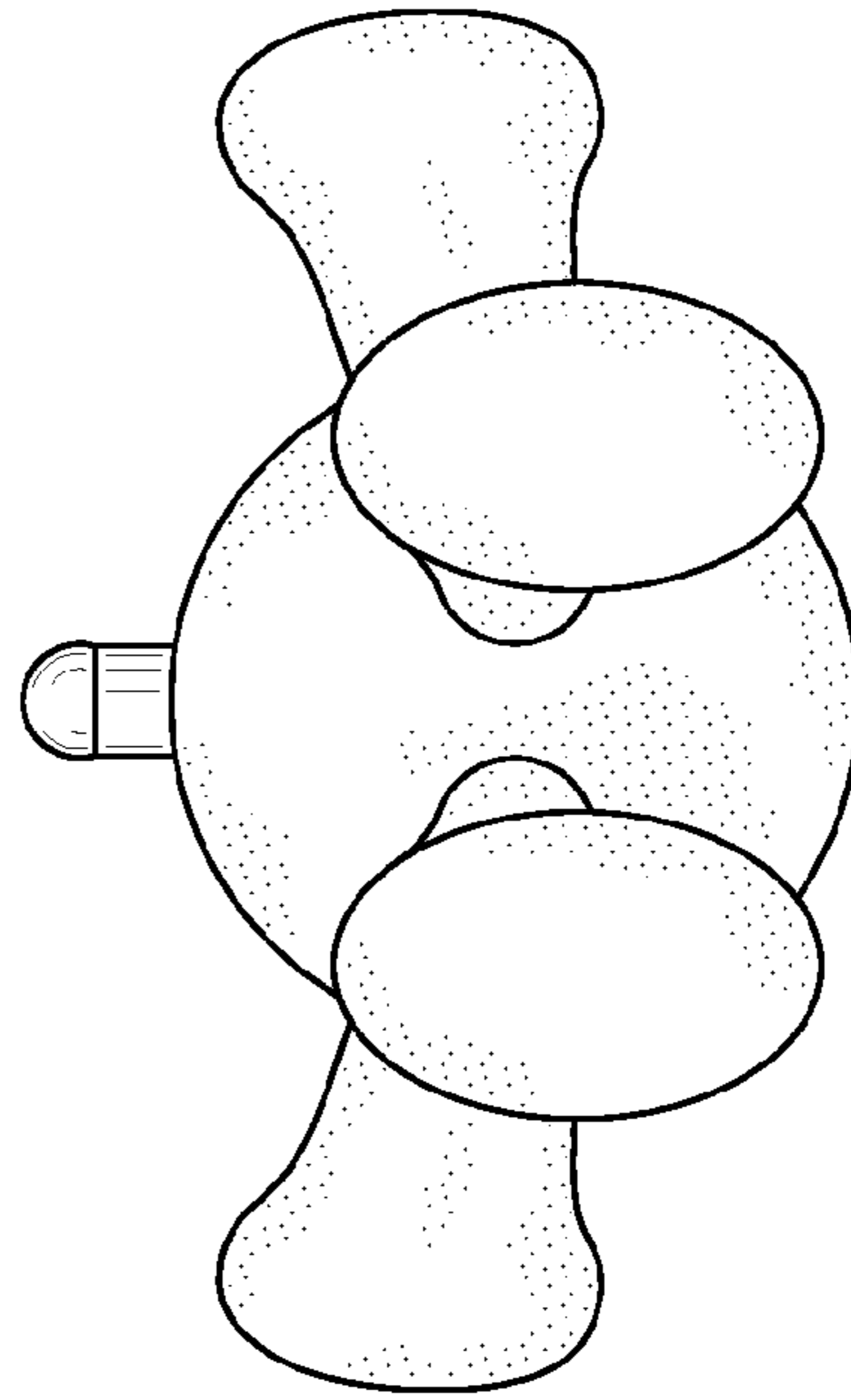


FIG. 7

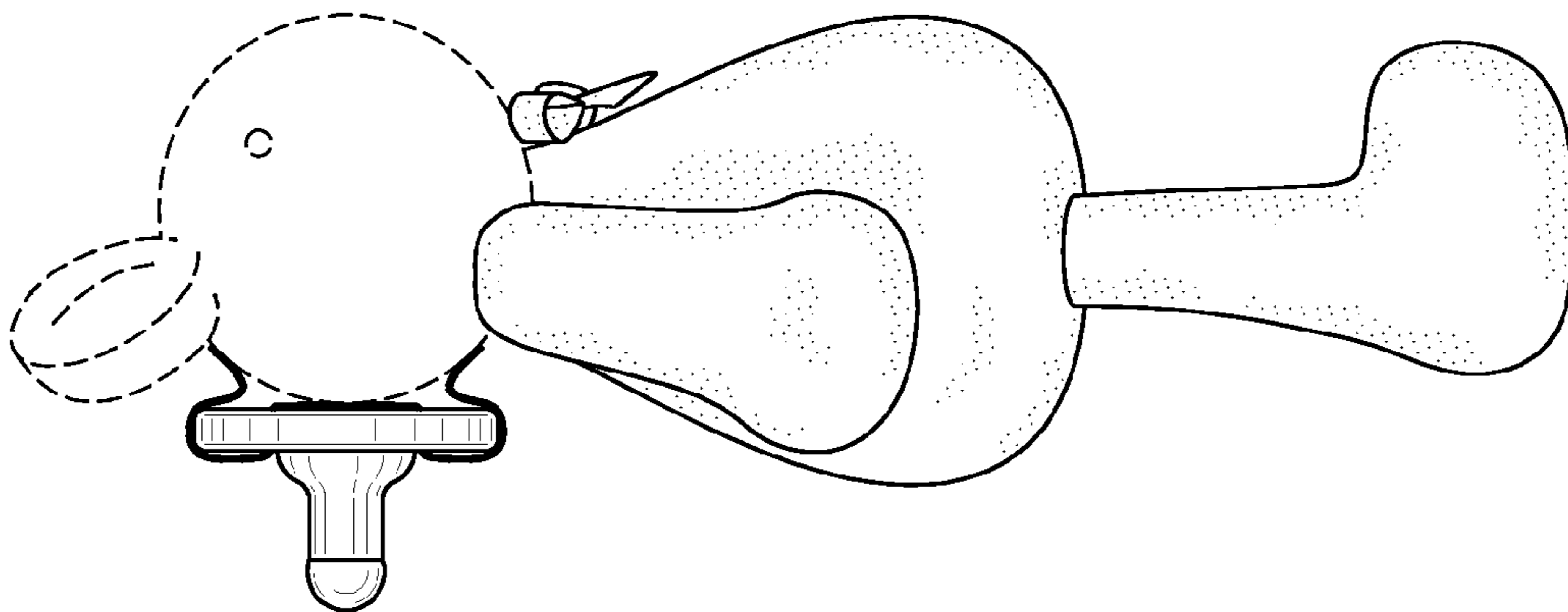


FIG. 5



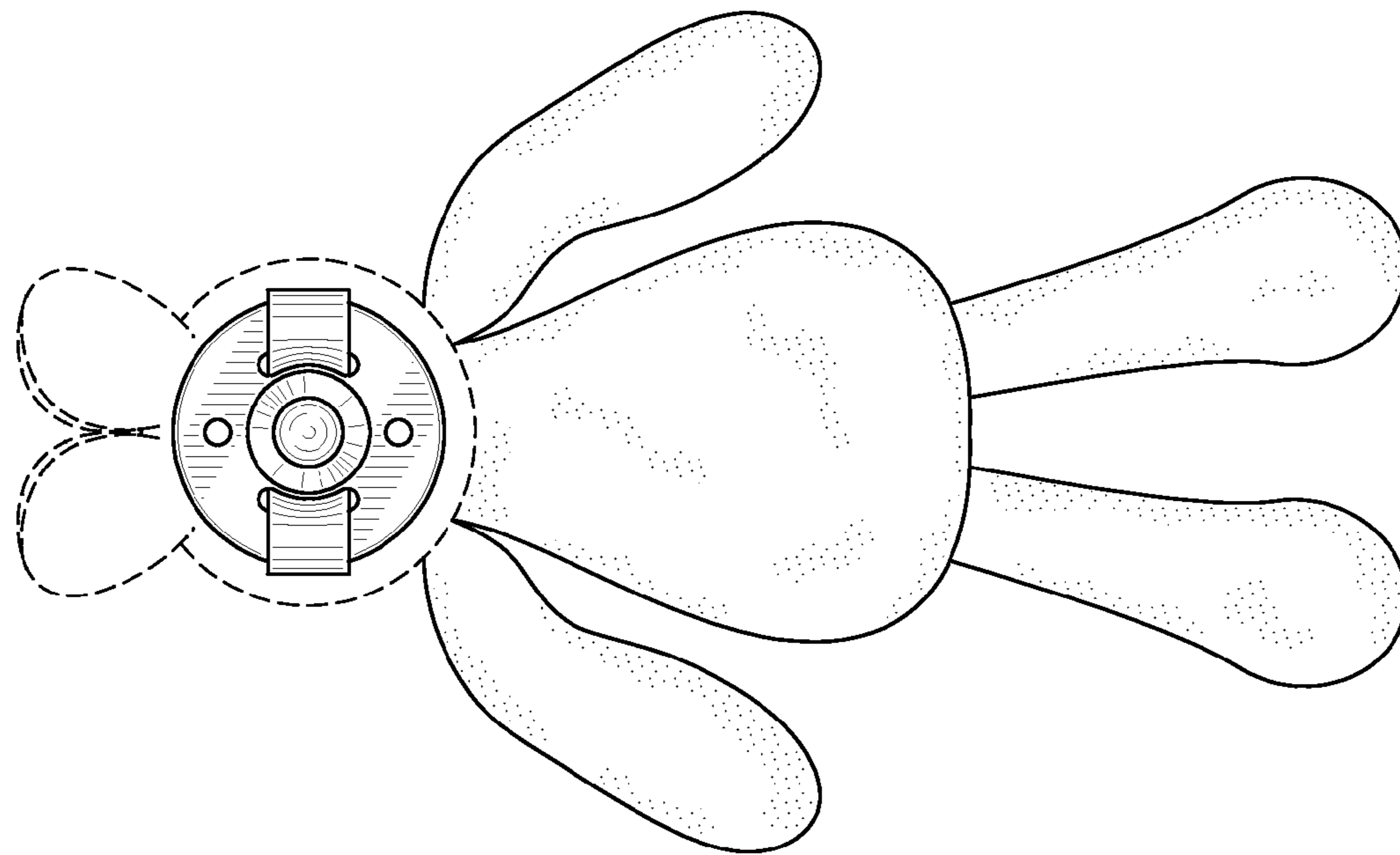


FIG. 8

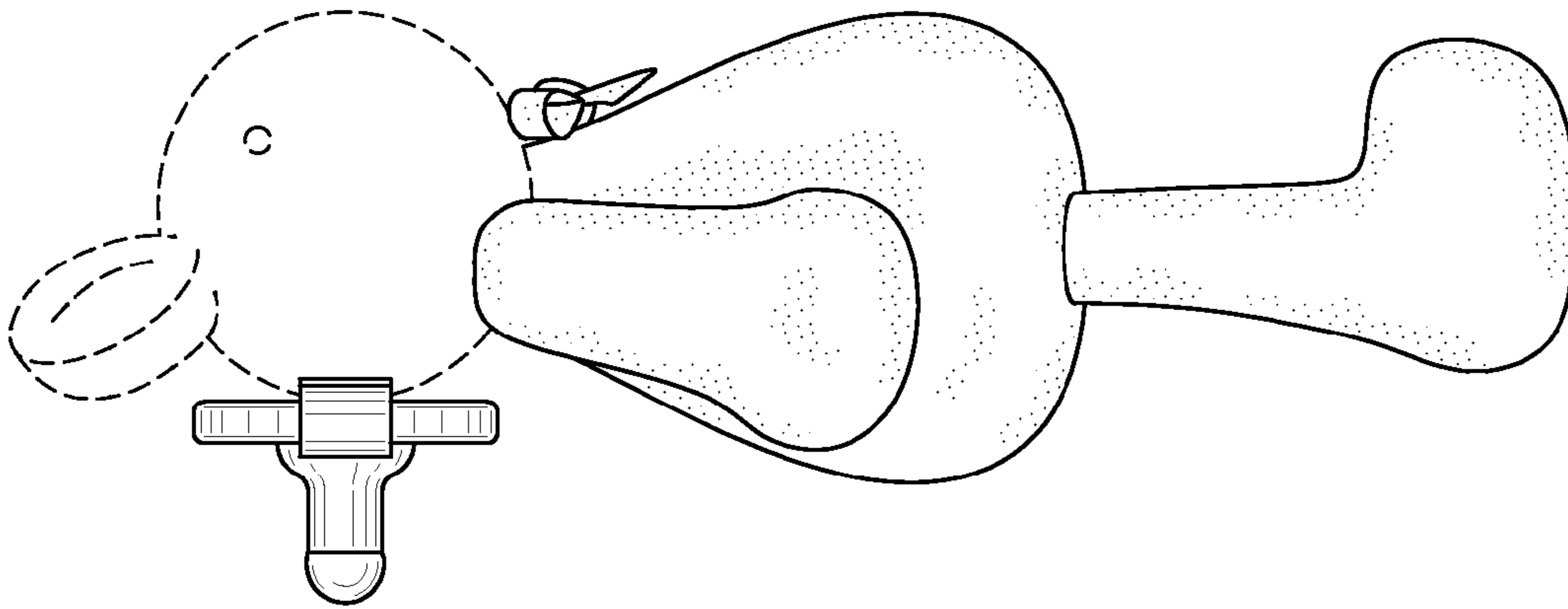


FIG. 9

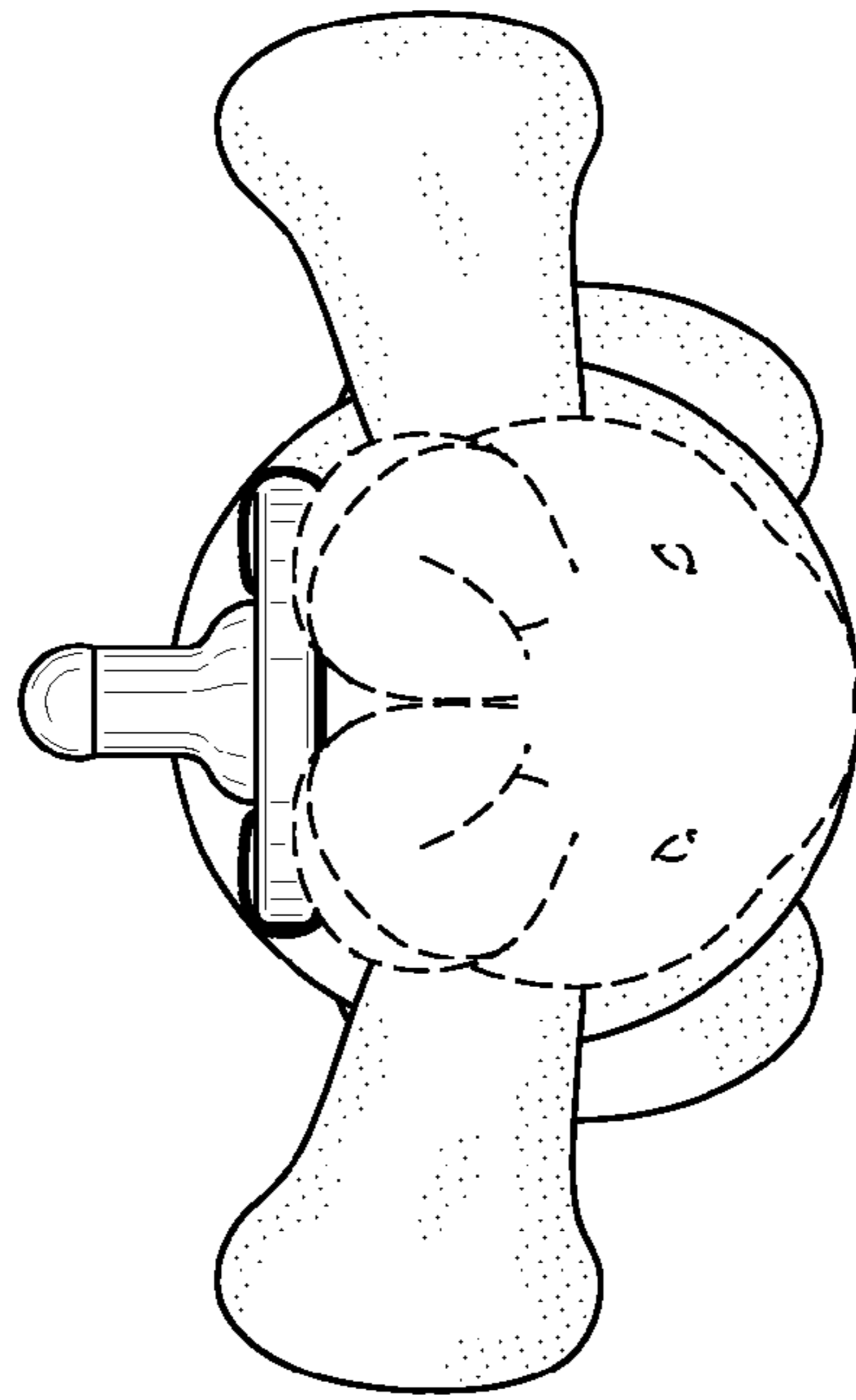


FIG. 10