



US00D650864S

(12) **United States Design Patent**
Mallory

(10) **Patent No.:** **US D650,864 S**

(45) **Date of Patent:** **** Dec. 20, 2011**

(54) **LENTICULAR PANEL**

(75) Inventor: **Trent H. Mallory**, Southlake, TX (US)

(73) Assignee: **Poly-America, L.P.**, Grand Prairie, TX (US)

(**) Term: **14 Years**

(21) Appl. No.: **29/376,752**

(22) Filed: **Oct. 12, 2010**

(51) **LOC (9) Cl.** **20-03**

(52) **U.S. Cl.** **D20/33; D20/11; D20/25**

(58) **Field of Classification Search** D20/10, D20/11, 13, 14, 18, 19, 22-33, 39-42, 99; 40/124.01-124.09, 124.11-124.19, 124.191, 40/436, 446, 454, 538, 541-544, 546, 548, 40/489, 553, 563, 564, 572, 582, 584, 554, 40/594, 600; D10/109.1, 109.2; D14/485, D14/489; 211/1.56, 1.57; 206/69; 352/81; 359/626, 819; 362/812; 434/365

See application file for complete search history.

(56) **References Cited**

U.S. PATENT DOCUMENTS

5,598,650 A * 2/1997 Brown 40/453
5,695,346 A * 12/1997 Sekiguchi et al. 434/365
6,076,661 A * 6/2000 Abadi 206/69

6,865,033 B2 * 3/2005 Lavery 359/819
7,093,723 B1 * 8/2006 Lyons et al. 211/1.56
7,414,790 B2 * 8/2008 Raymond et al. 359/626
2009/0056181 A1 * 3/2009 Meyer et al. 40/454
2010/0319227 A1 * 12/2010 Sanders 40/546

* cited by examiner

Primary Examiner — Mary Ann Calabrese

(74) *Attorney, Agent, or Firm* — Brandon J. Lee

(57) **CLAIM**

The ornamental design for a lenticular panel, as shown and described.

DESCRIPTION

FIG. 1 is an elevation view of the lenticular panel depicting a first image of the lenticular panel.

FIG. 2 is an elevation view of the lenticular panel depicting a second image of the lenticular panel.

FIG. 3 is a perspective forming no part of the claimed design view of a lenticular panel depicting a view of the lenticular panel when observed from a first angle with broken lines illustrating a rectangular box to provide perspective; and, FIG. 4 is a perspective forming no part of the claimed design view of a lenticular panel depicting a view of the lenticular panel when observed from a second angle with broken lines illustrating a rectangular box to provide perspective.

1 Claim, 2 Drawing Sheets

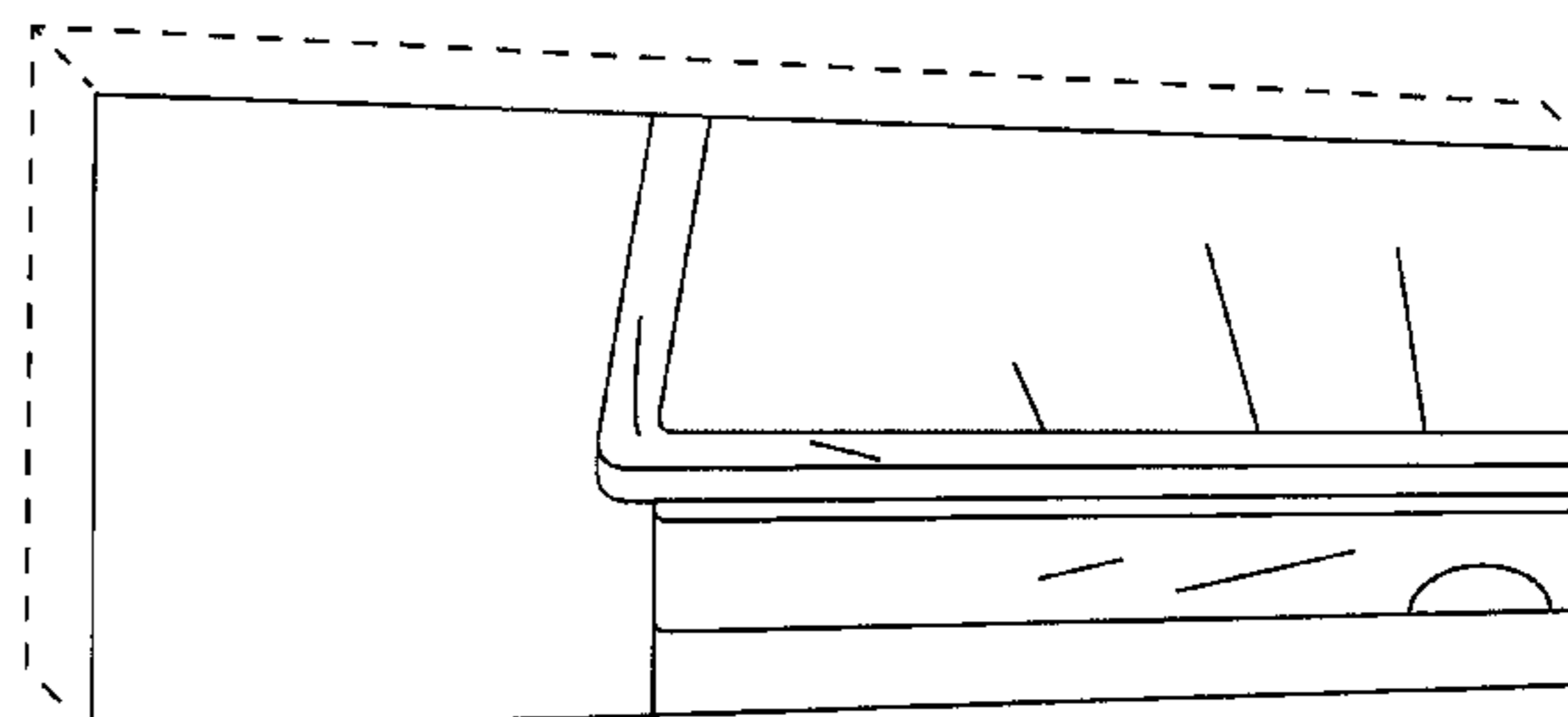
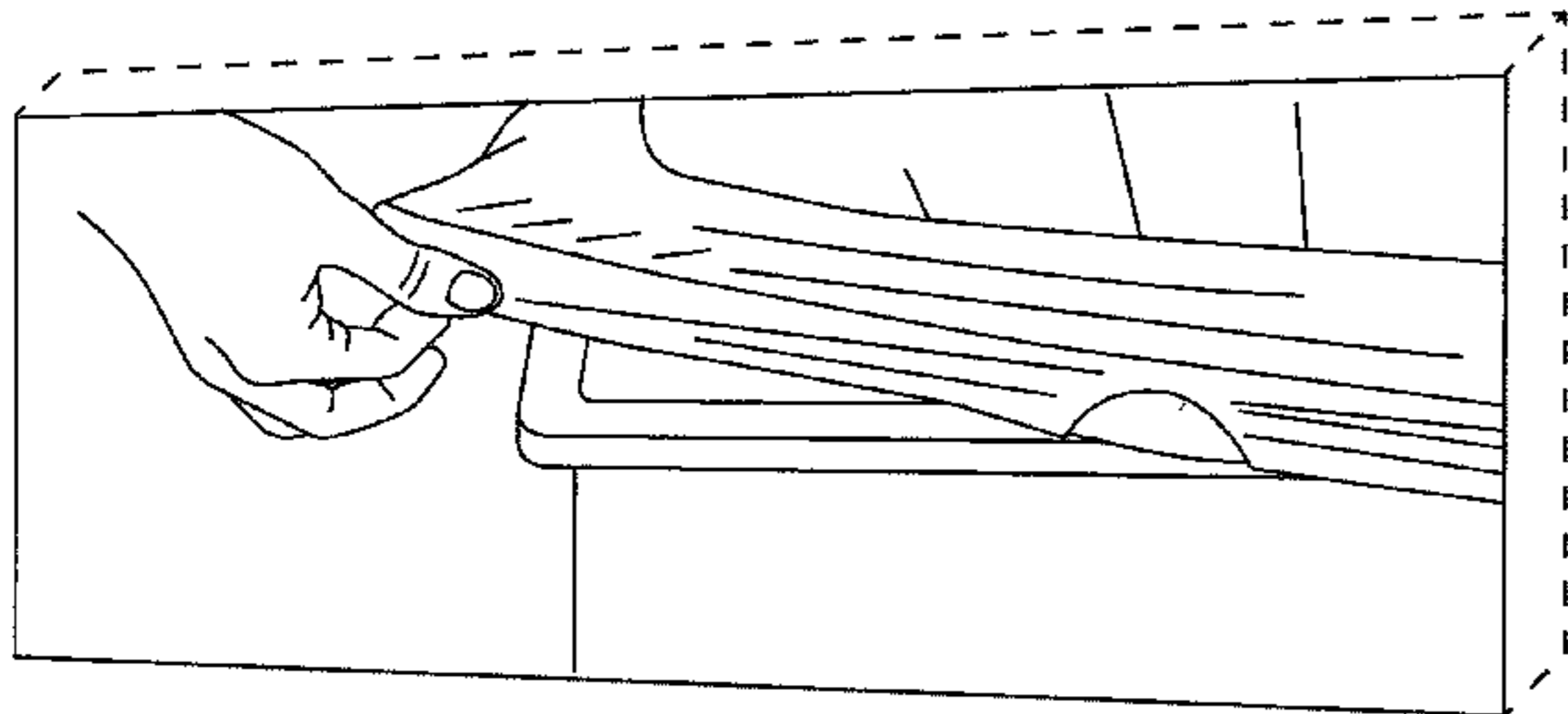


Fig. 1

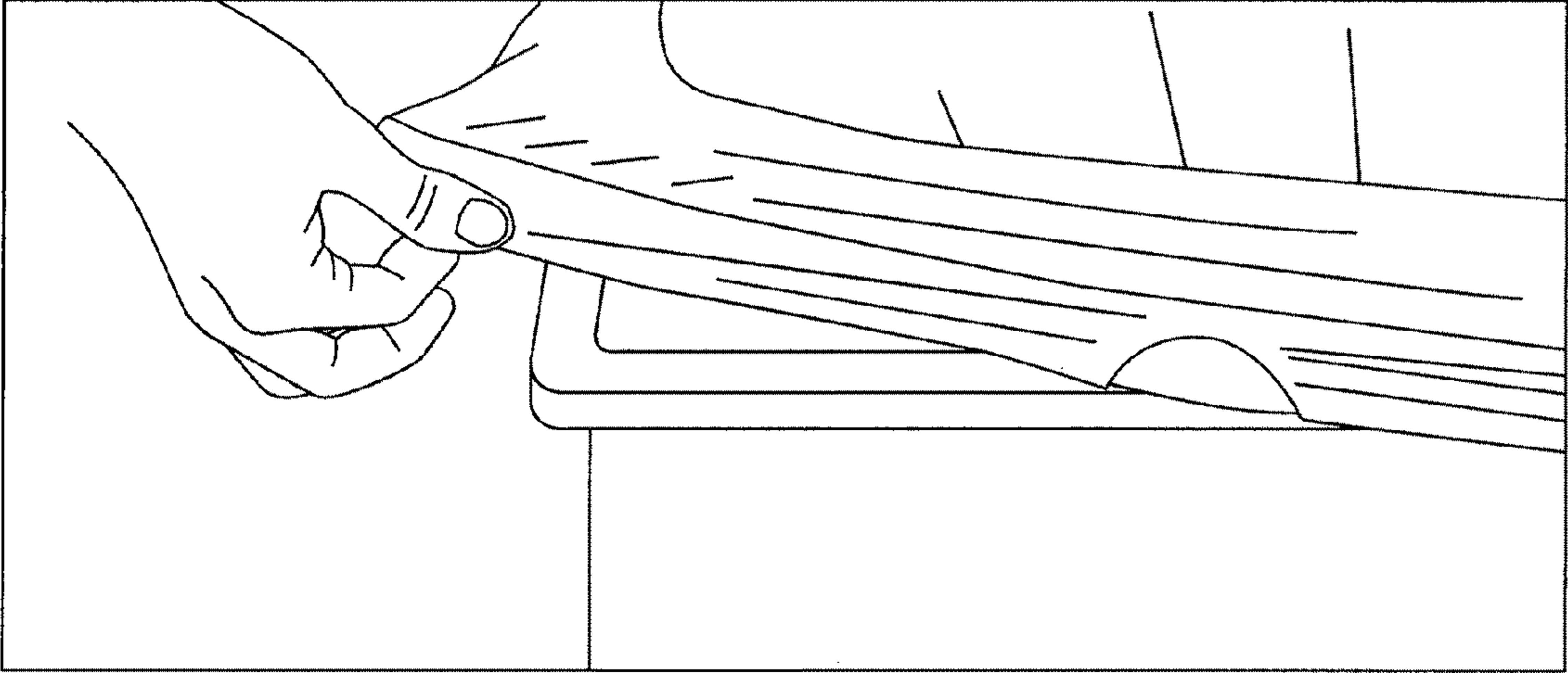


Fig. 2

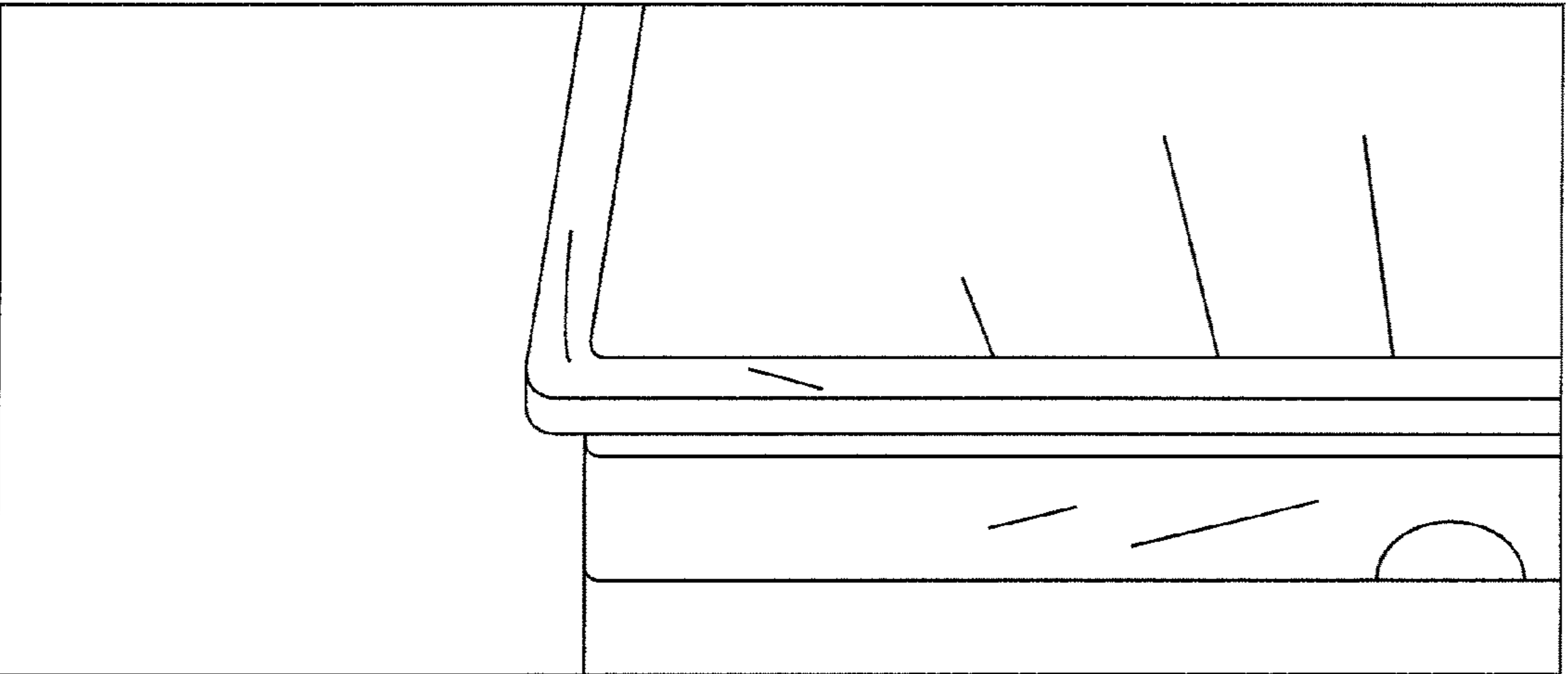


Fig. 3

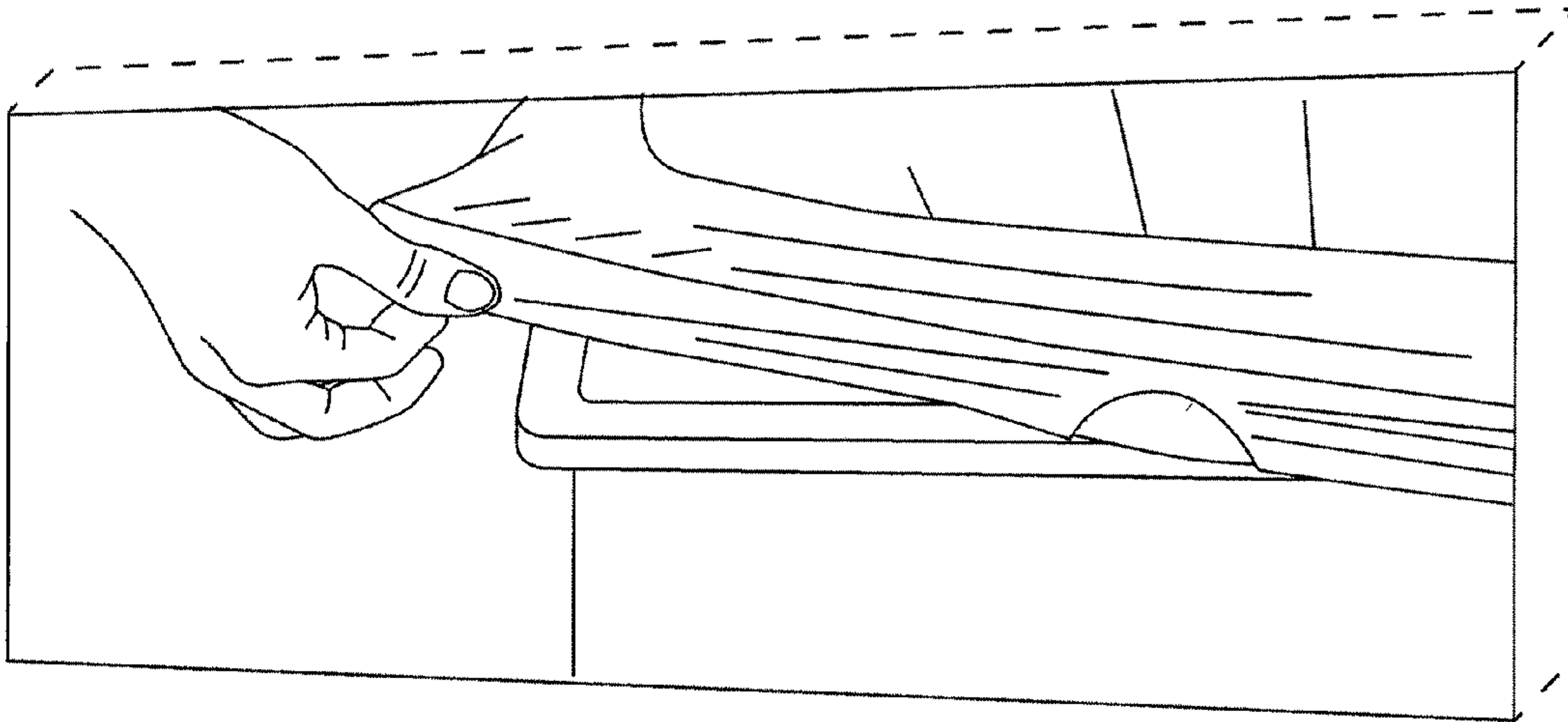


Fig. 4

