



US00D650862S

(12) **United States Design Patent**
Chuang

(10) **Patent No.:** **US D650,862 S**

(45) **Date of Patent:** **** Dec. 20, 2011**

(54) **ROTARY ORGANIZER**

(75) Inventor: **Chih-Wei Chuang**, Edison, NJ (US)

(73) Assignee: **Officemate International Corp.**,
Edison, NJ (US)

(**) Term: **14 Years**

(21) Appl. No.: **29/372,632**

(22) Filed: **Dec. 16, 2010**

(51) **LOC (9) Cl.** **19-02**

(52) **U.S. Cl.** **D19/77**

(58) **Field of Classification Search** D3/310-316;
D7/601, 637; D9/737; D19/65, 75, 77-92;
D28/73, 77; 206/214, 371

See application file for complete search history.

(56) **References Cited**

U.S. PATENT DOCUMENTS

D160,688	S	*	10/1950	Brock	D7/501
3,489,289	A	*	1/1970	Scott-Fenton	211/78
D279,950	S	*	8/1985	Wan	D7/640
4,953,696	A	*	9/1990	Huang et al.	206/214
D328,100	S	*	7/1992	Liaw	D19/77
D329,876	S	*	9/1992	Breen	D19/75
D340,071	S	*	10/1993	Sun	D19/77
D342,281	S	*	12/1993	Lin	D19/77
5,361,915	A	*	11/1994	Cohen et al.	211/70.7
D365,599	S	*	12/1995	Cheng	D19/77
D367,889	S	*	3/1996	Chiu	D19/77
D372,938	S	*	8/1996	Wilson et al.	D19/75
D377,807	S	*	2/1997	Green et al.	D19/77

D377,951	S	*	2/1997	McDiarmid	D19/78
D381,686	S	*	7/1997	Chiu	D19/77
D407,753	S	*	4/1999	Kwok	D19/77
D418,947	S	*	1/2000	Greiner	D28/73
D421,462	S	*	3/2000	Orchanian	D19/77
D428,624	S	*	7/2000	Kwok	D19/77
D428,923	S	*	8/2000	McDiarmid	D19/77
D444,676	S	*	7/2001	Murphy	D7/553.6
D575,986	S	*	9/2008	Cetera	D7/501
D619,364	S	*	7/2010	Barrick et al.	D3/315

* cited by examiner

Primary Examiner — Elizabeth Albert

(74) *Attorney, Agent, or Firm* — Daniel Kirshner

(57) **CLAIM**

The ornamental design for a rotary organizer, as shown and described.

DESCRIPTION

FIG. 1 is a front perspective view of a rotary organizer showing the new design;

FIG. 2 is a rear perspective view thereof;

FIG. 3 is a front view thereof;

FIG. 4 is a rear view thereof;

FIG. 5 is a right side view thereof;

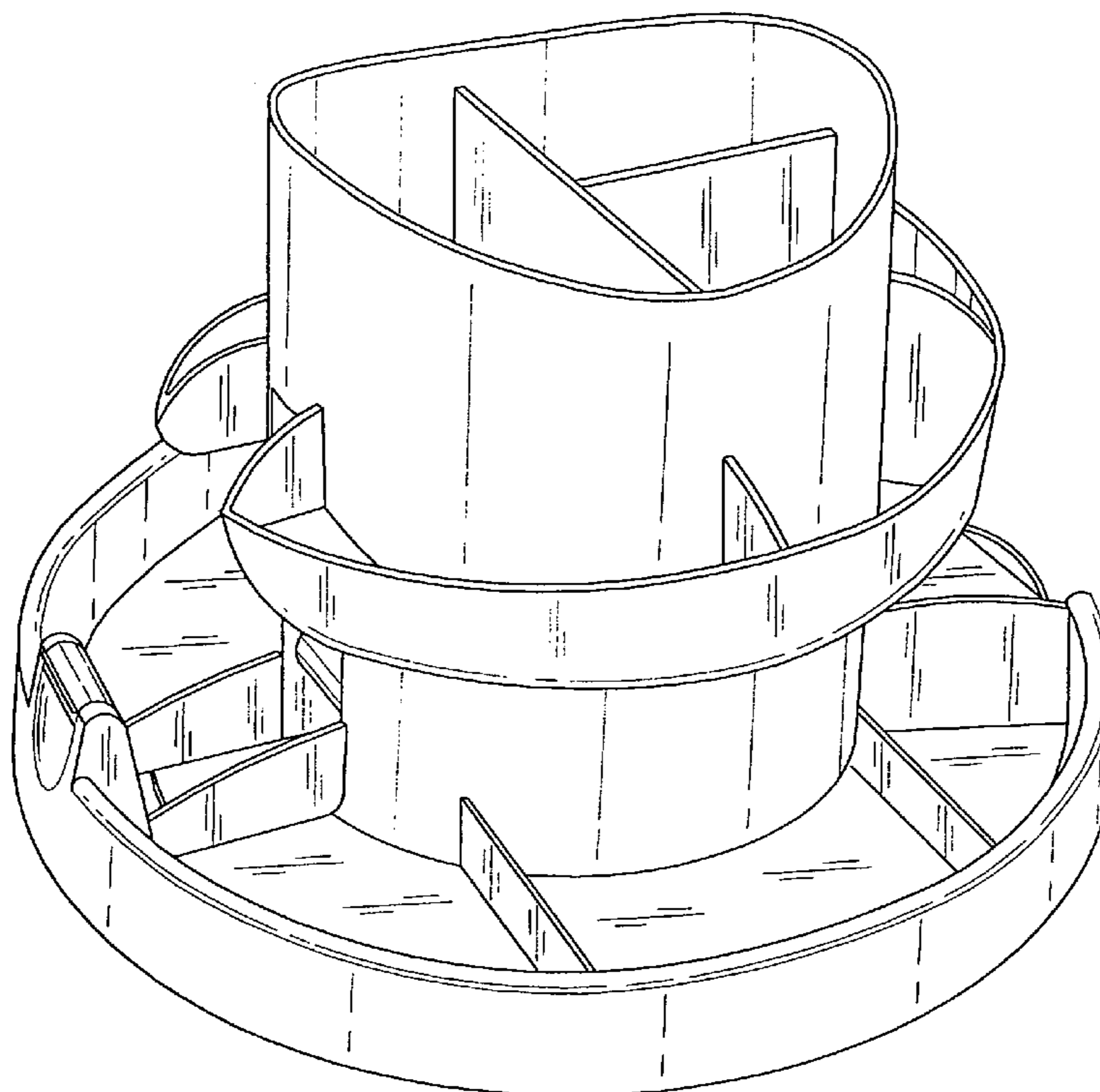
FIG. 6 is a left side view thereof;

FIG. 7 is a top view thereof; and,

FIG. 8 is a bottom view thereof.

The broken lines showing the bottom surfaces in FIGS. 7 and 8 are included from the purpose of showing portions of the rotary organizer that form no part of the claimed design:

1 Claim, 8 Drawing Sheets



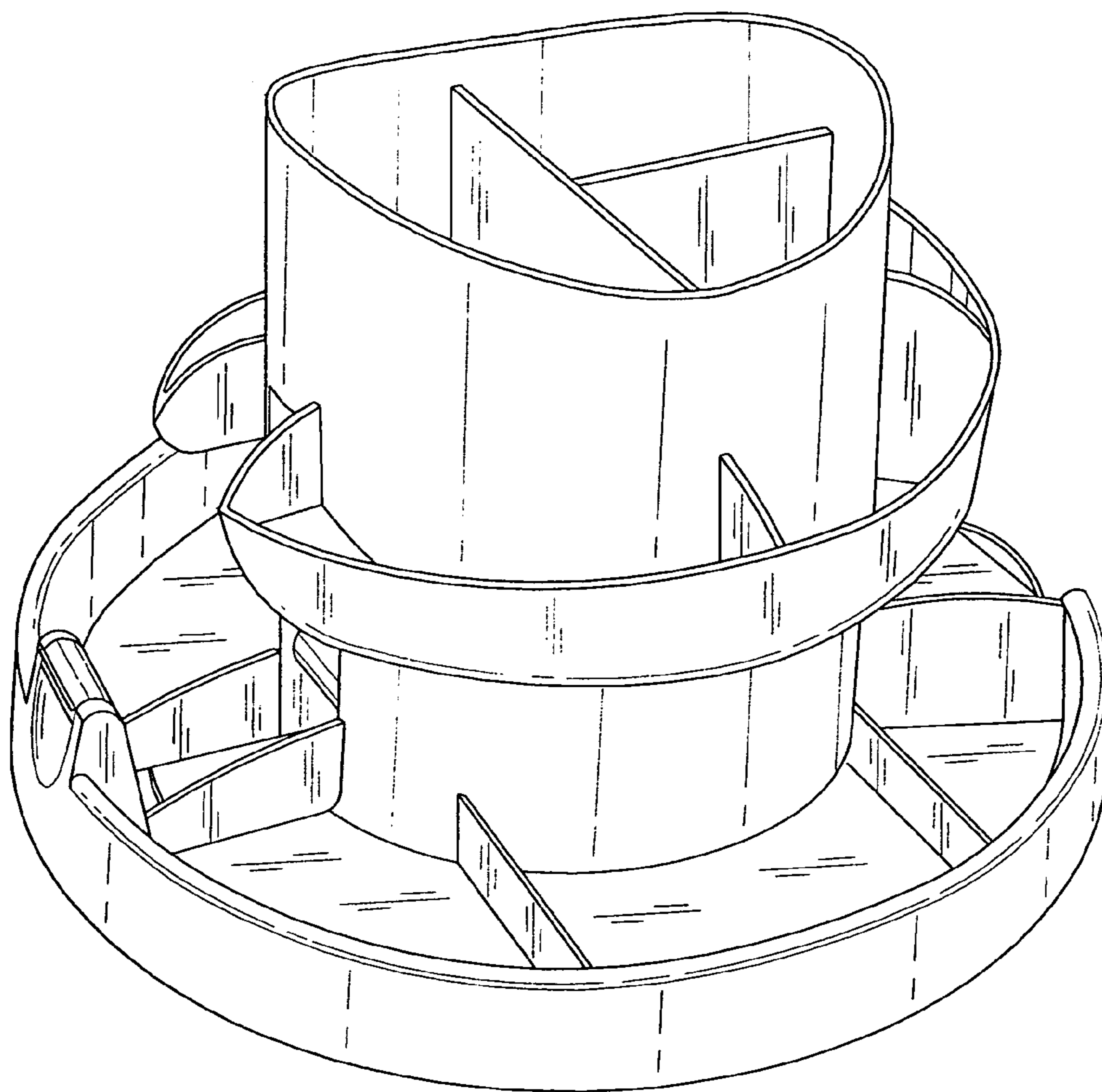


FIG. 1

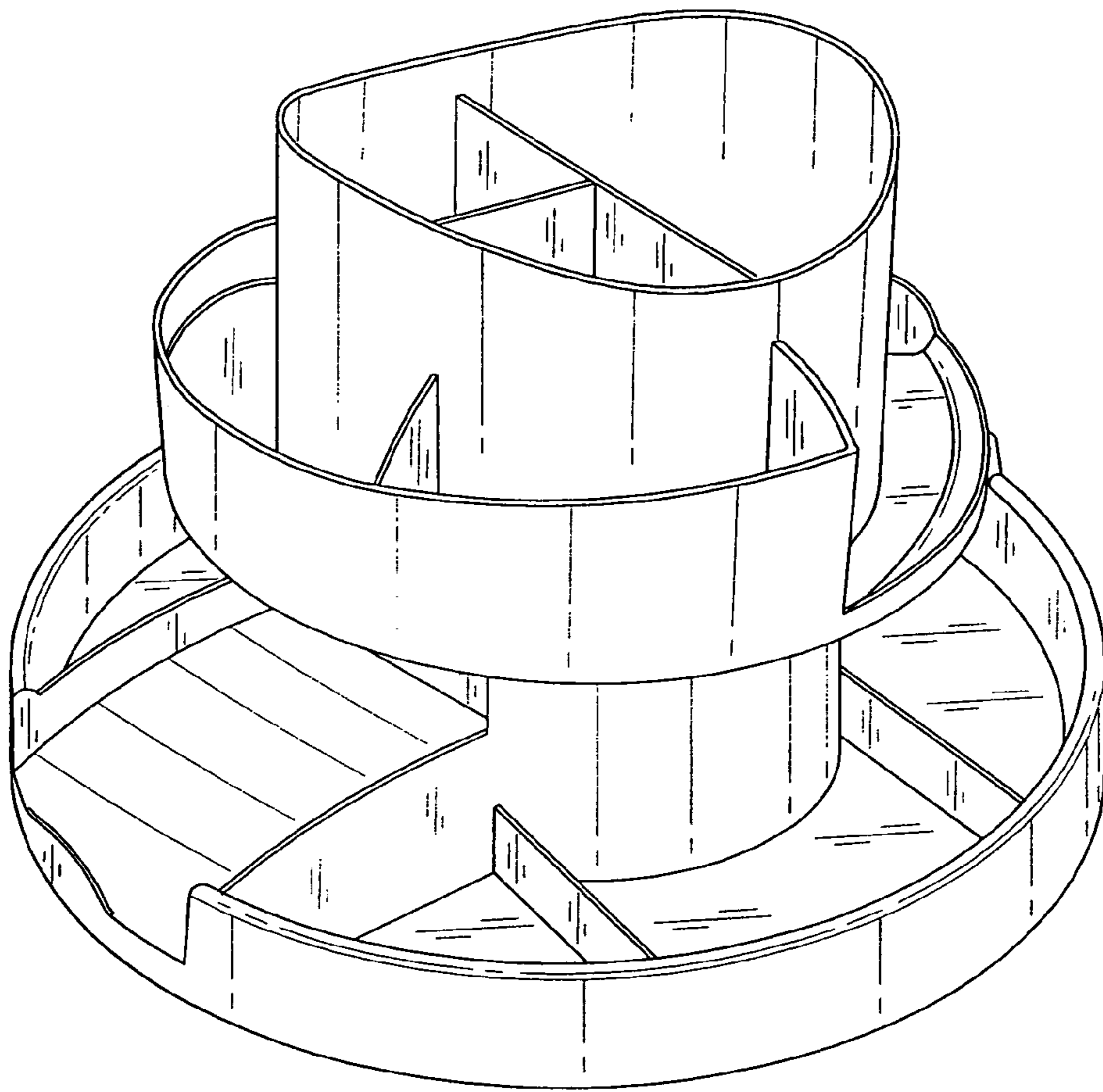


FIG. 2

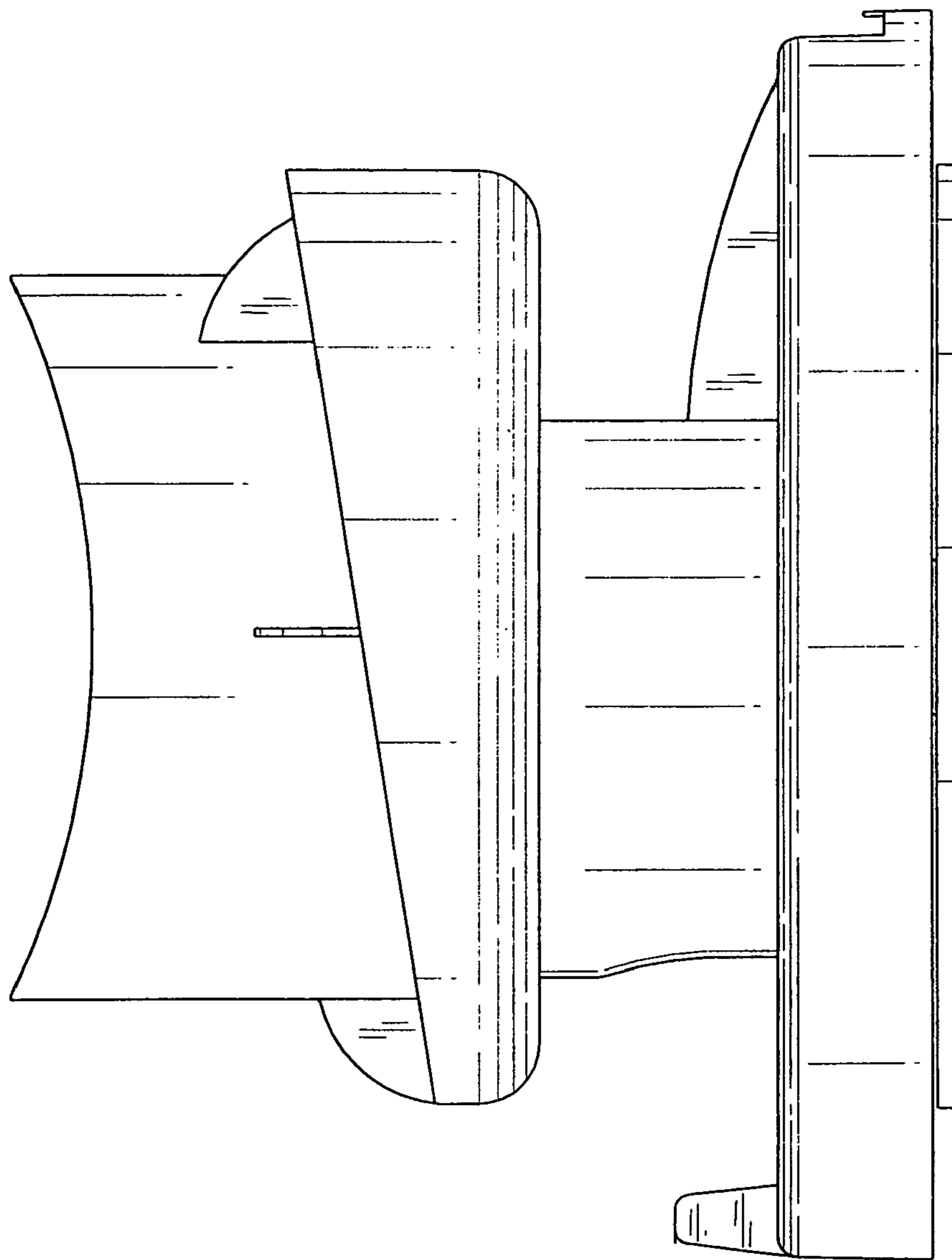


FIG. 3

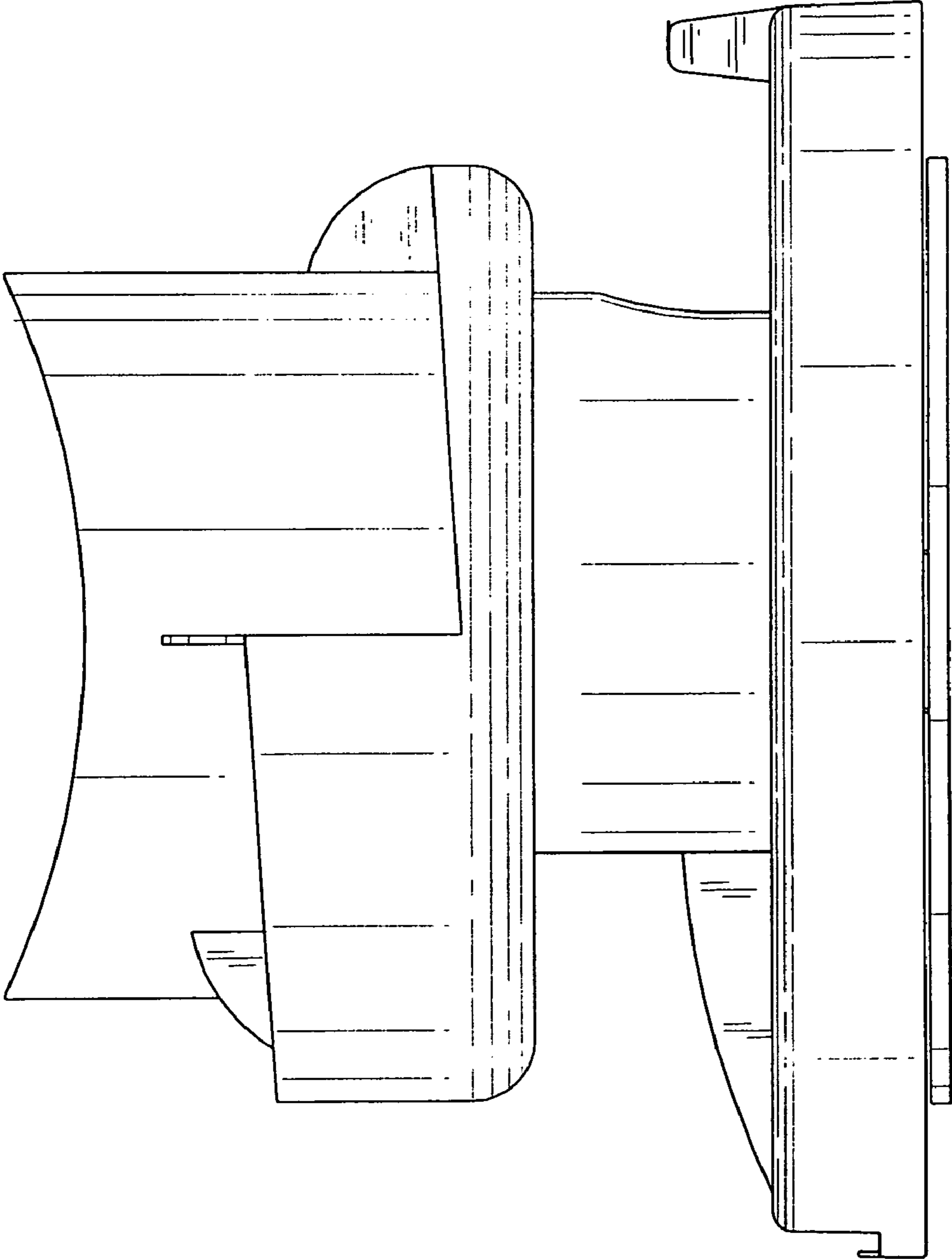


FIG. 4

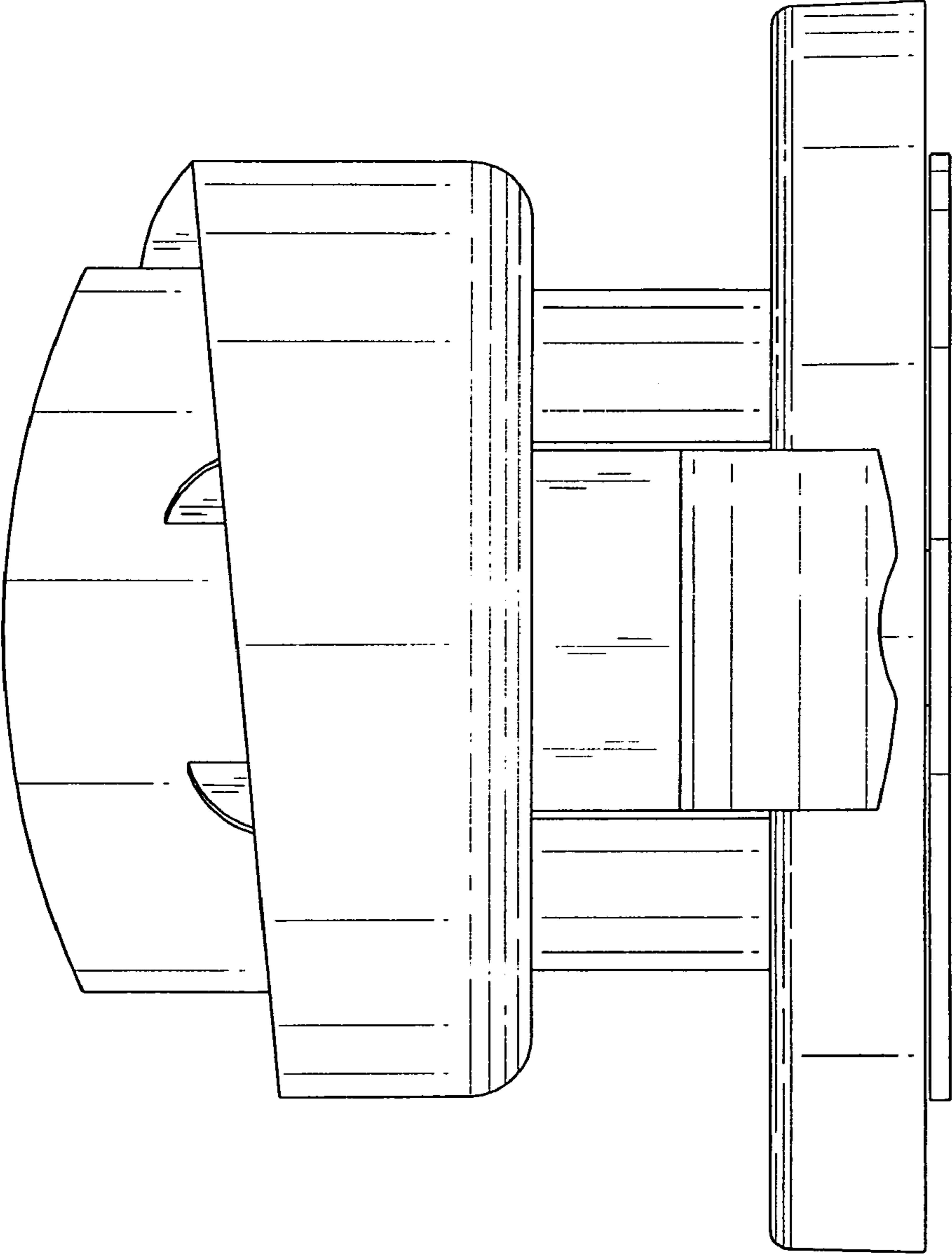


FIG. 5

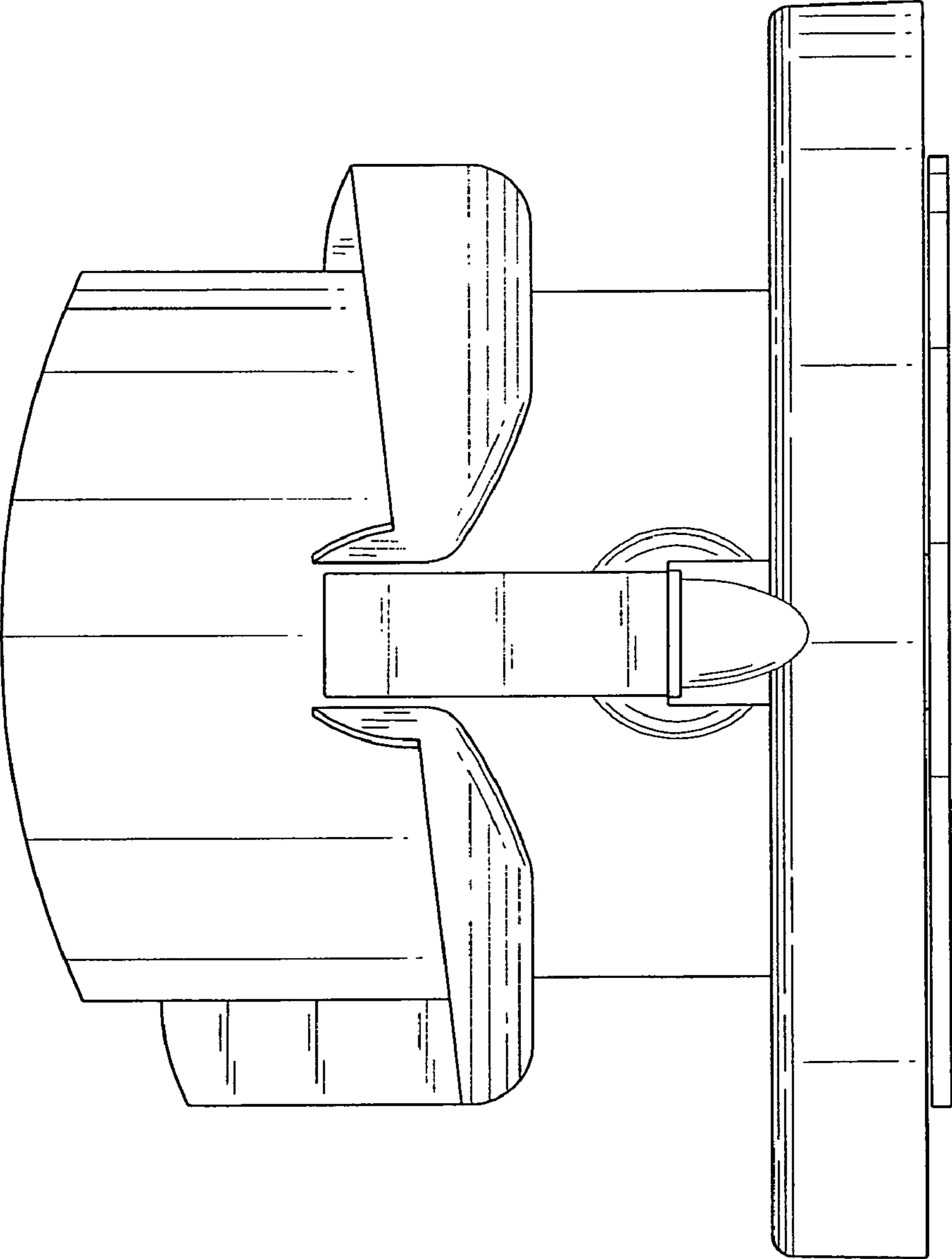


FIG. 6

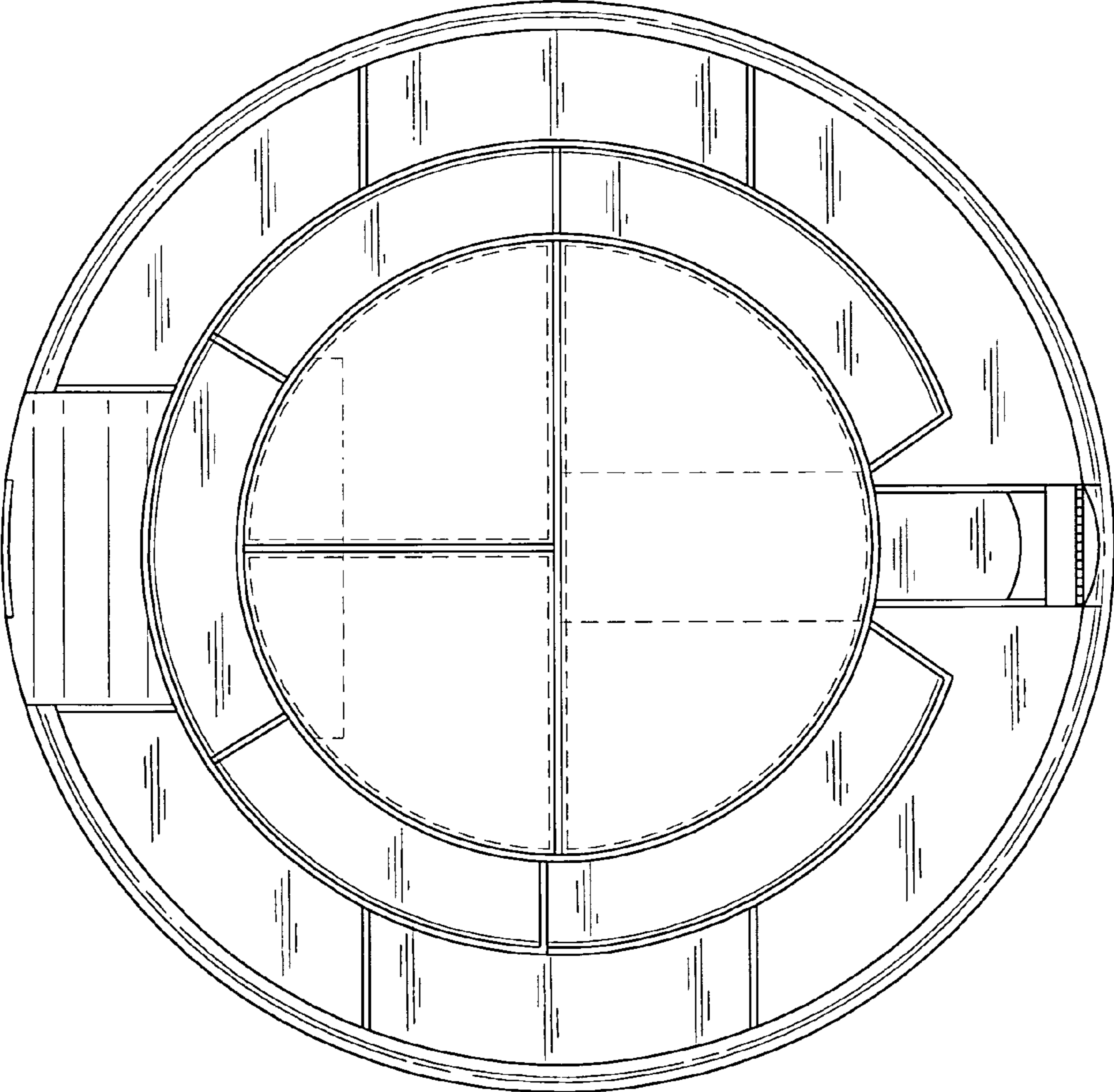


FIG. 7

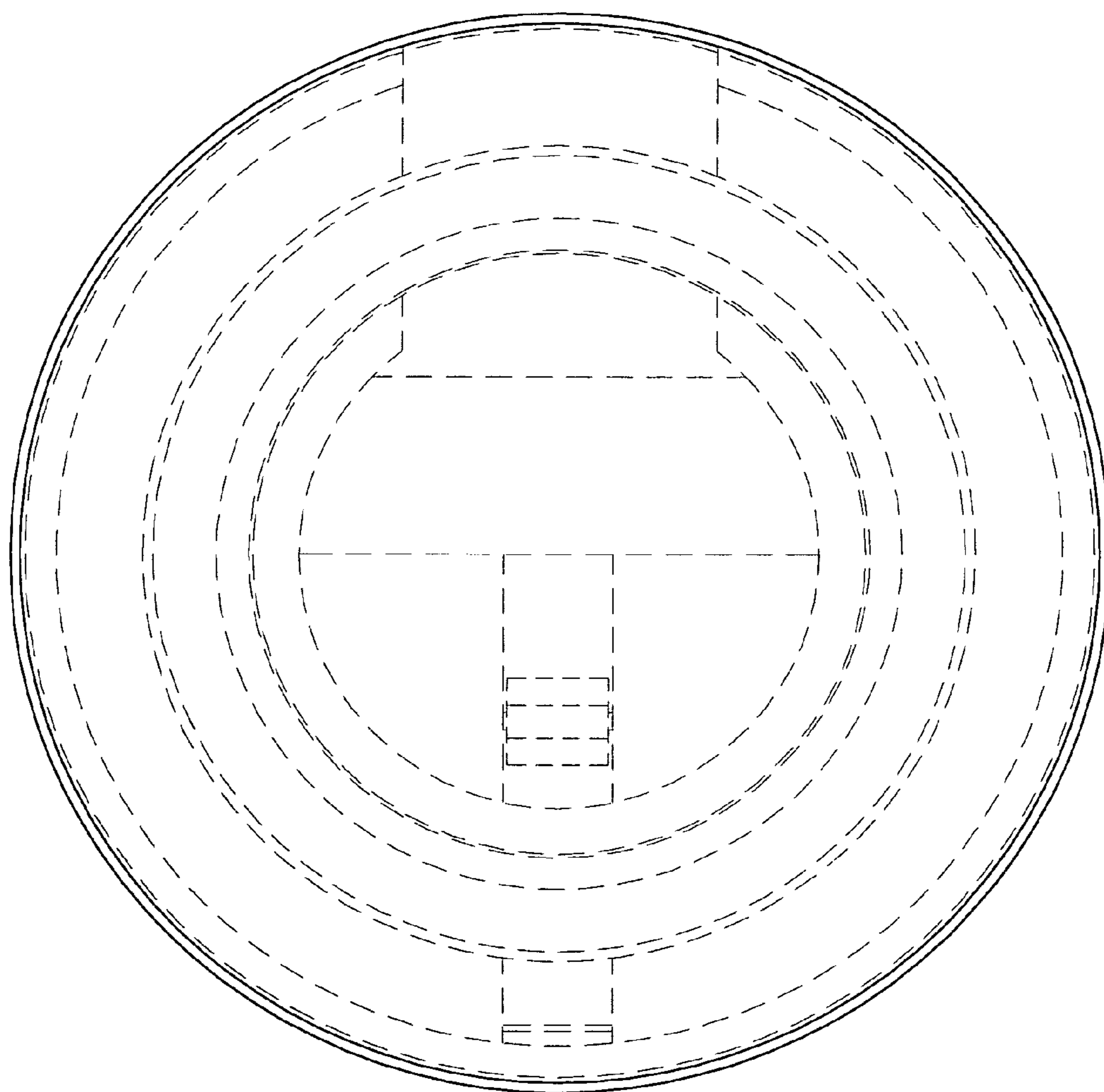


FIG. 8