



US00D650861S

(12) **United States Design Patent**
Chuang

(10) **Patent No.:** **US D650,861 S**

(45) **Date of Patent:** **** Dec. 20, 2011**

(54) **ROTARY ORGANIZER**

(75) Inventor: **Chih-Wei Chuang**, Edison, NJ (US)

(73) Assignee: **Officemate International Corp.**,
Edison, NJ (US)

(**) Term: **14 Years**

(21) Appl. No.: **29/372,630**

(22) Filed: **Dec. 16, 2010**

(51) **LOC (9) Cl.** **19-02**

(52) **U.S. Cl.** **D19/77**

(58) **Field of Classification Search** D3/310-316;
D7/601, 637; D9/737; D19/65, 75, 77-92;
D28/73, 77; 206/214, 371

See application file for complete search history.

(56) **References Cited**

U.S. PATENT DOCUMENTS

226,645	A *	4/1880	Albaugh	211/129.1
3,397,804	A *	8/1968	Davis	220/506
3,489,289	A *	1/1970	Scott-Fenton	211/78
4,305,511	A *	12/1981	Denholtz	211/70
D279,950	S *	8/1985	Wan	D7/640
4,534,474	A *	8/1985	Ng	211/70
D329,766	S *	9/1992	Ancona et al.	D6/467
D340,071	S *	10/1993	Sun	D19/77
5,361,915	A *	11/1994	Cohen et al.	211/70.7
D367,889	S *	3/1996	Chiu	D19/77
D377,807	S *	2/1997	Green et al.	D19/77
D377,951	S *	2/1997	McDiarmid	D19/78
D407,753	S *	4/1999	Kwok	D19/77

D418,947	S *	1/2000	Greiner	D28/73
D421,462	S *	3/2000	Orchanian	D19/77
D426,921	S *	6/2000	Renfrew	D28/73
D428,624	S *	7/2000	Kwok	D19/77
D428,923	S *	8/2000	McDiarmid	D19/77
D432,577	S *	10/2000	Yeh	D19/77
D444,676	S *	7/2001	Murphy	D7/553.6
D457,566	S *	5/2002	Slater et al.	D19/77
D575,986	S *	9/2008	Cetera	D7/501
D619,364	S *	7/2010	Barrick et al.	D3/315

* cited by examiner

Primary Examiner — Elizabeth Albert

(74) *Attorney, Agent, or Firm* — Daniel Kirshner

(57) **CLAIM**

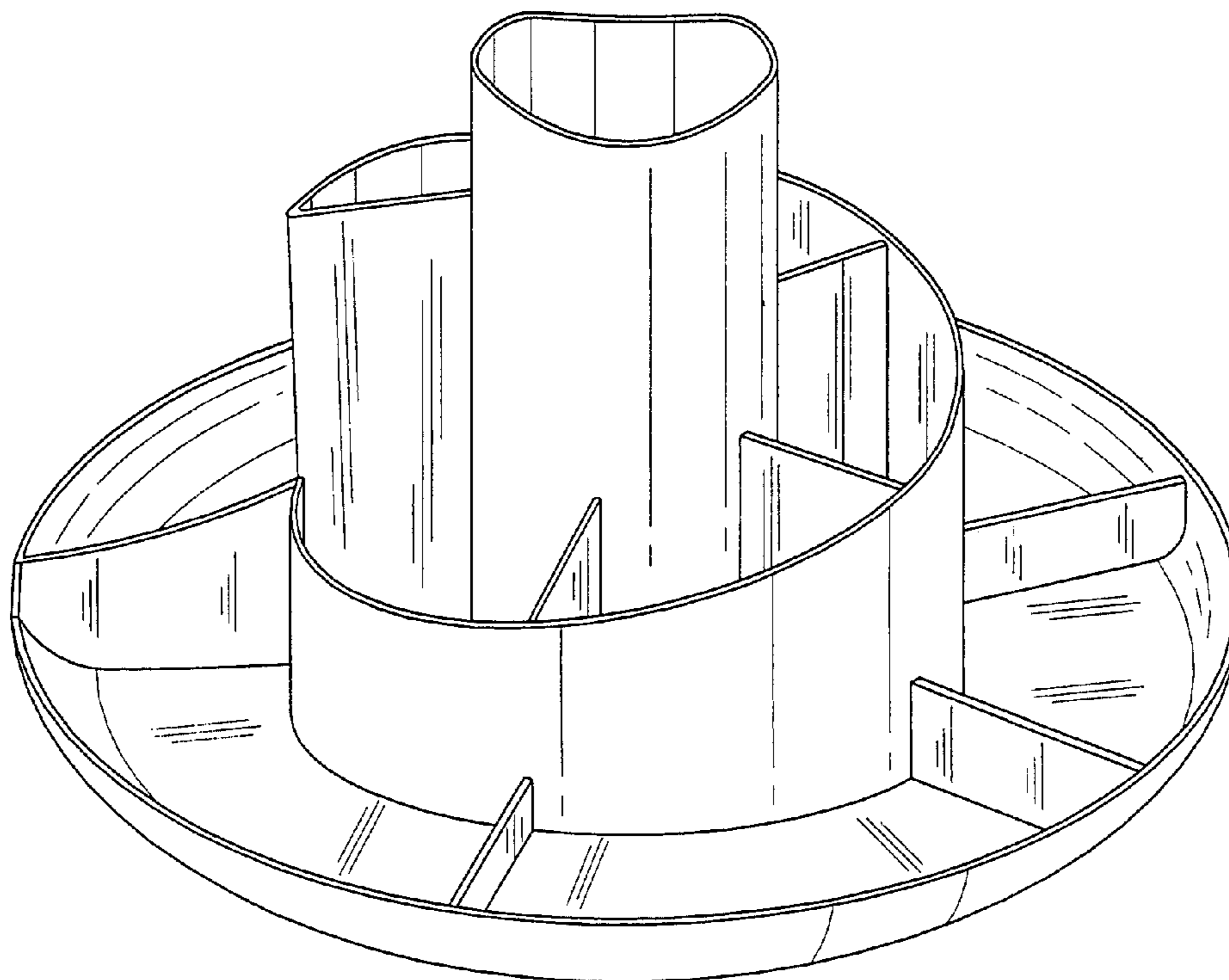
The ornamental design for a rotary organizer, as shown and described.

DESCRIPTION

FIG. 1 is a front perspective view of a rotary organizer showing the new design;
FIG. 2 is a rear perspective view thereof;
FIG. 3 is a front elevational perspective view thereof;
FIG. 4 is a right side view thereof;
FIG. 5 is a left side view thereof;
FIG. 6 is a rear elevational view thereof;
FIG. 7 is a top view thereof; and,
FIG. 8 is a bottom view thereof.

The broken lines showing the bottom surfaces in FIGS. 7 and 8 are included for the purpose of showing portions of the rotary organizer that form no part of the claimed design.

1 Claim, 8 Drawing Sheets



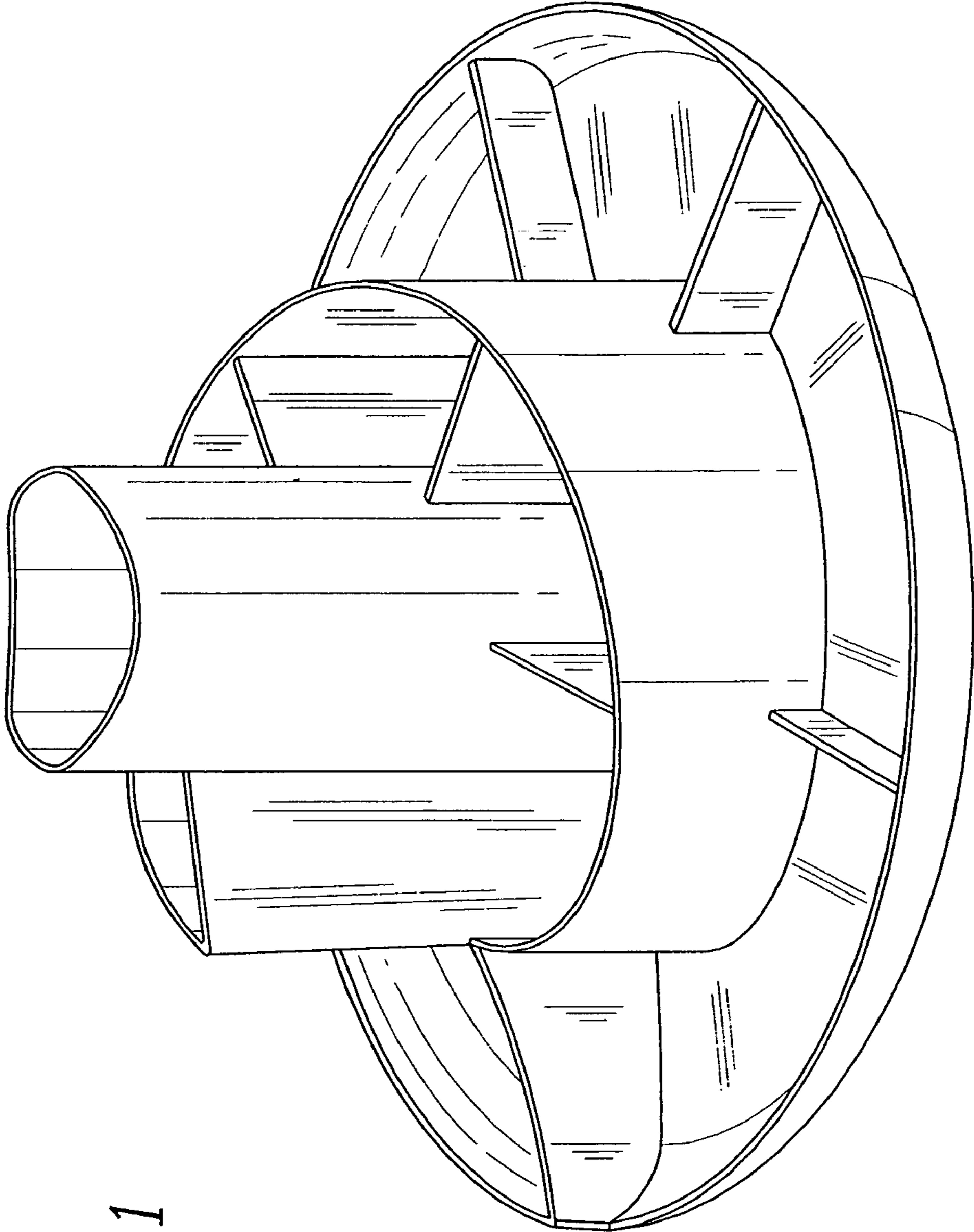


FIG. 1

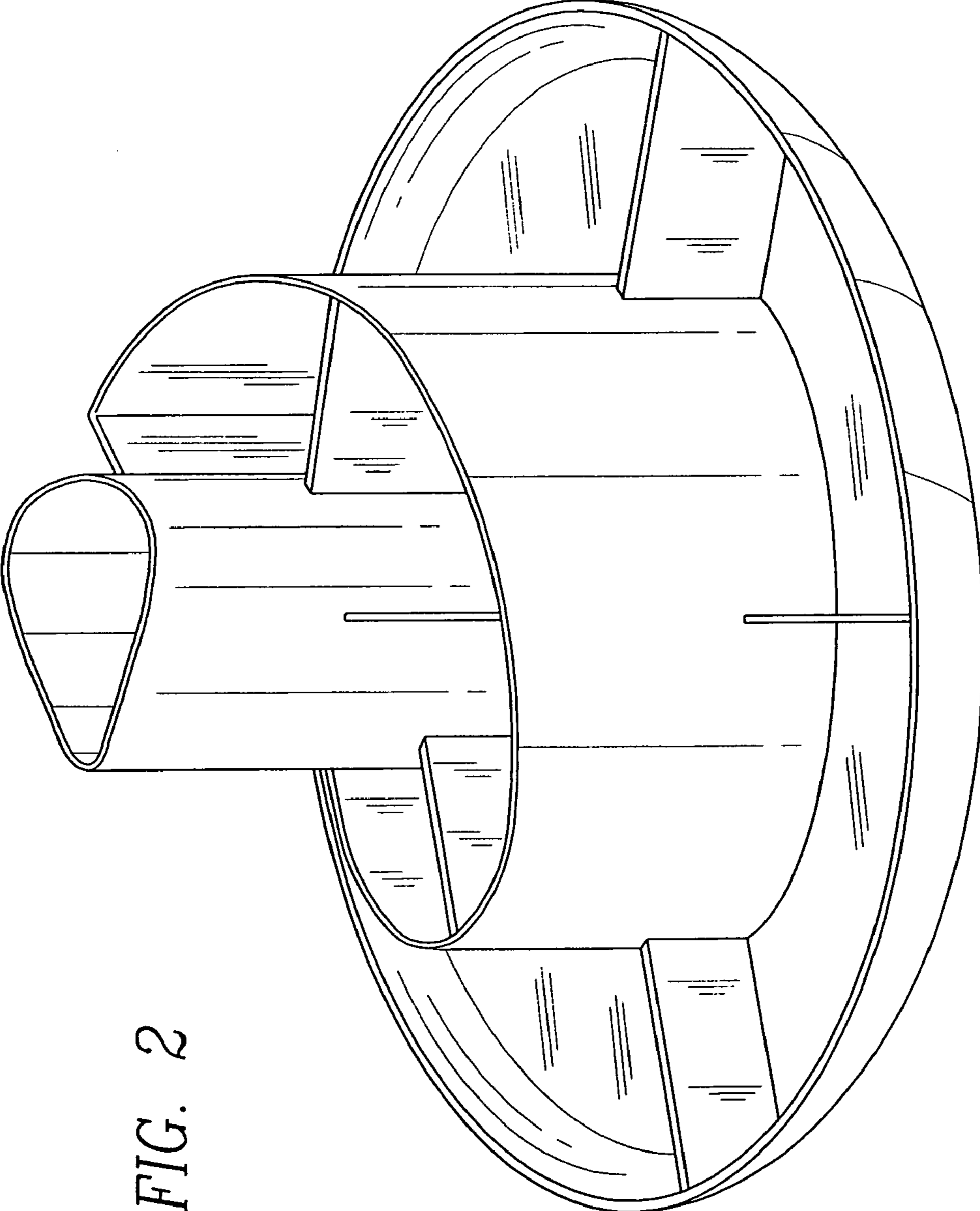


FIG. 2

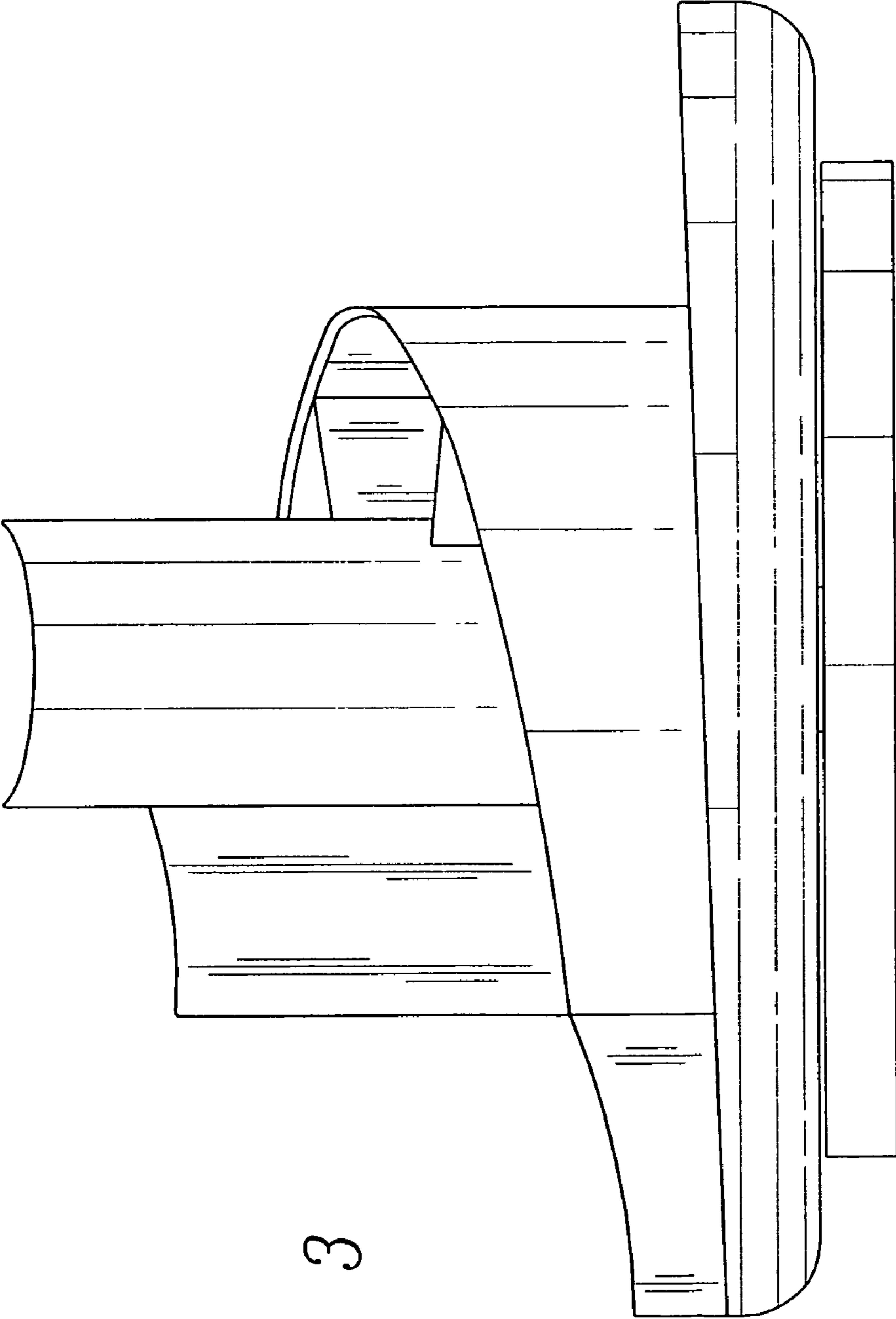


FIG. 3

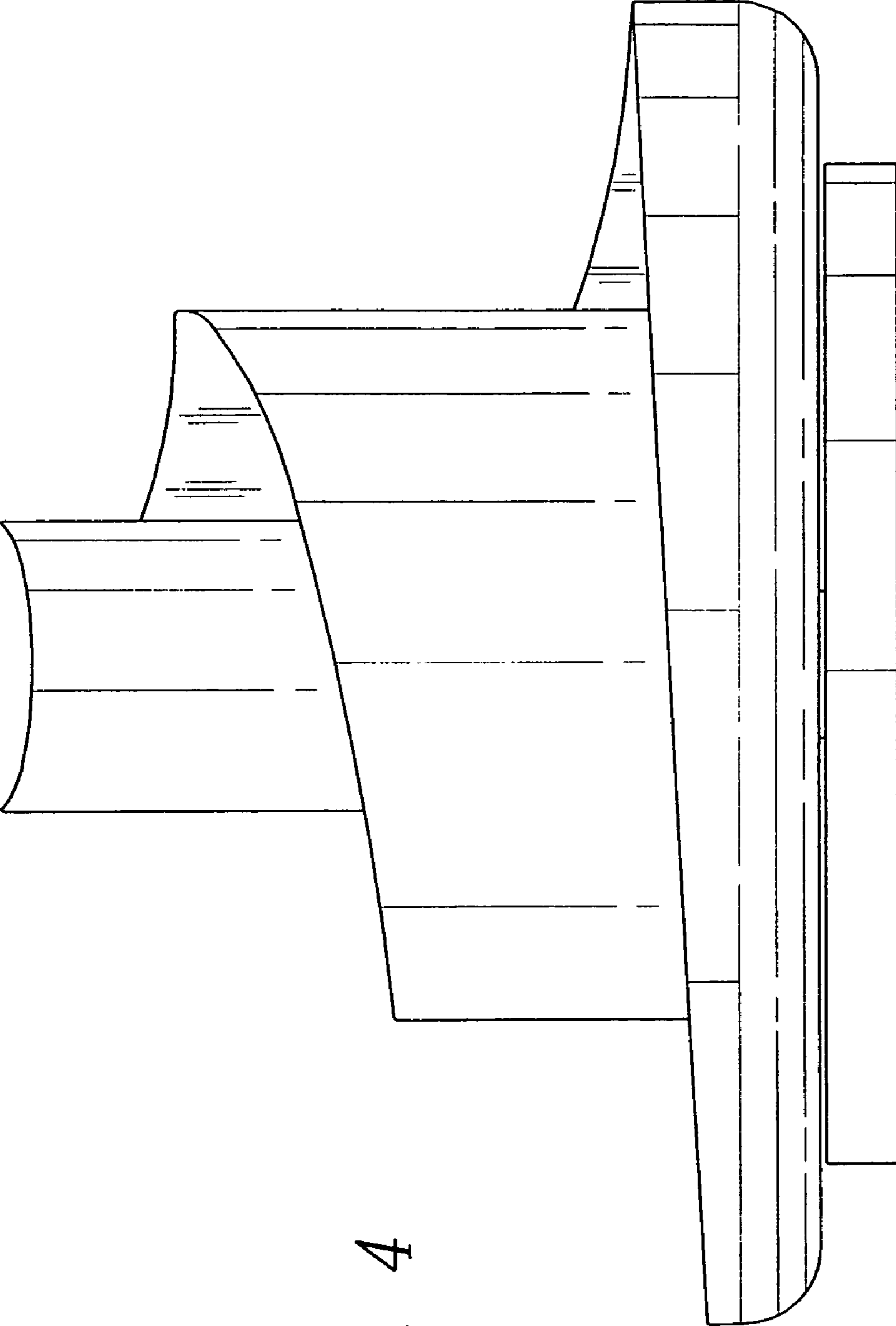


FIG. 4

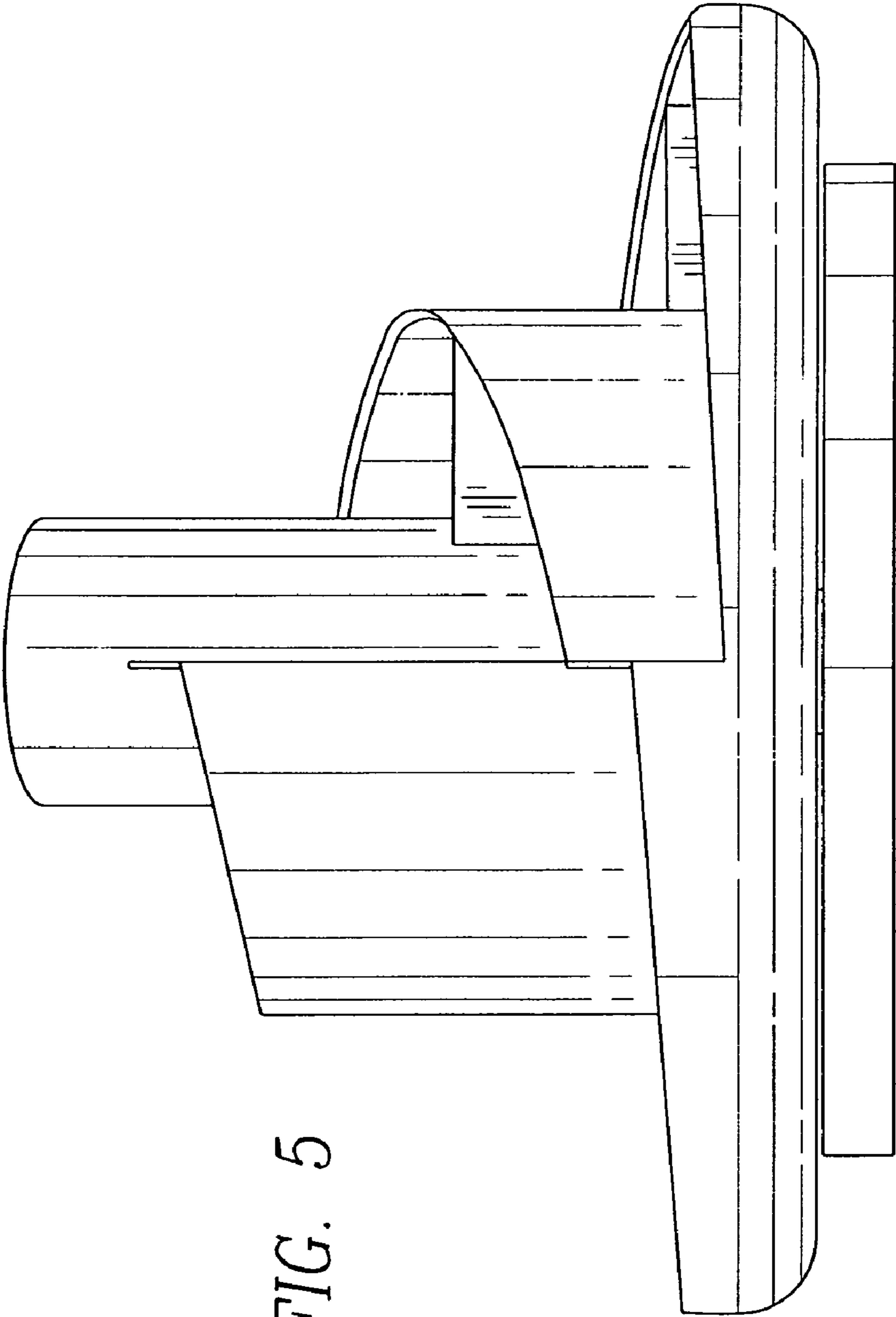


FIG. 5

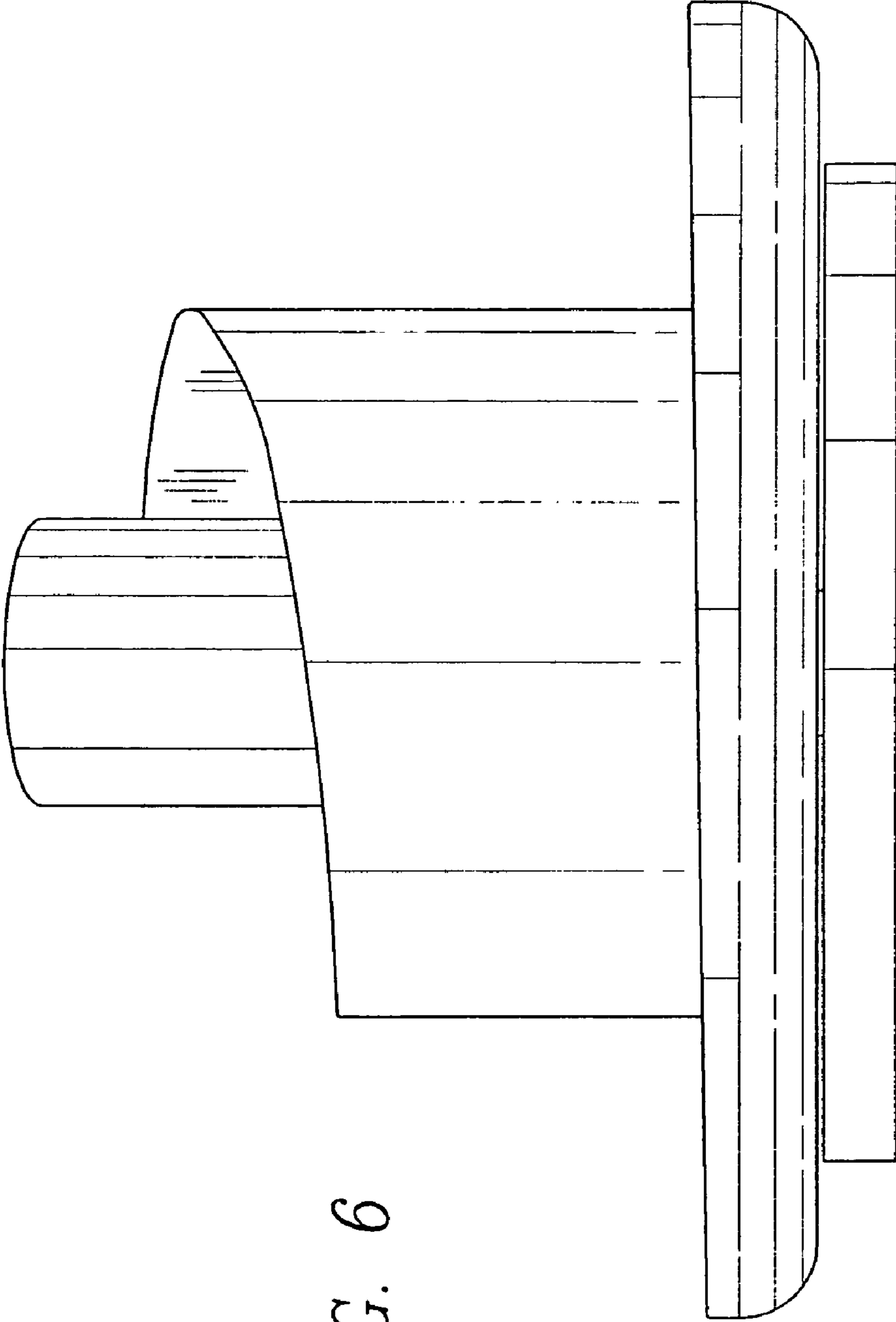


FIG. 6

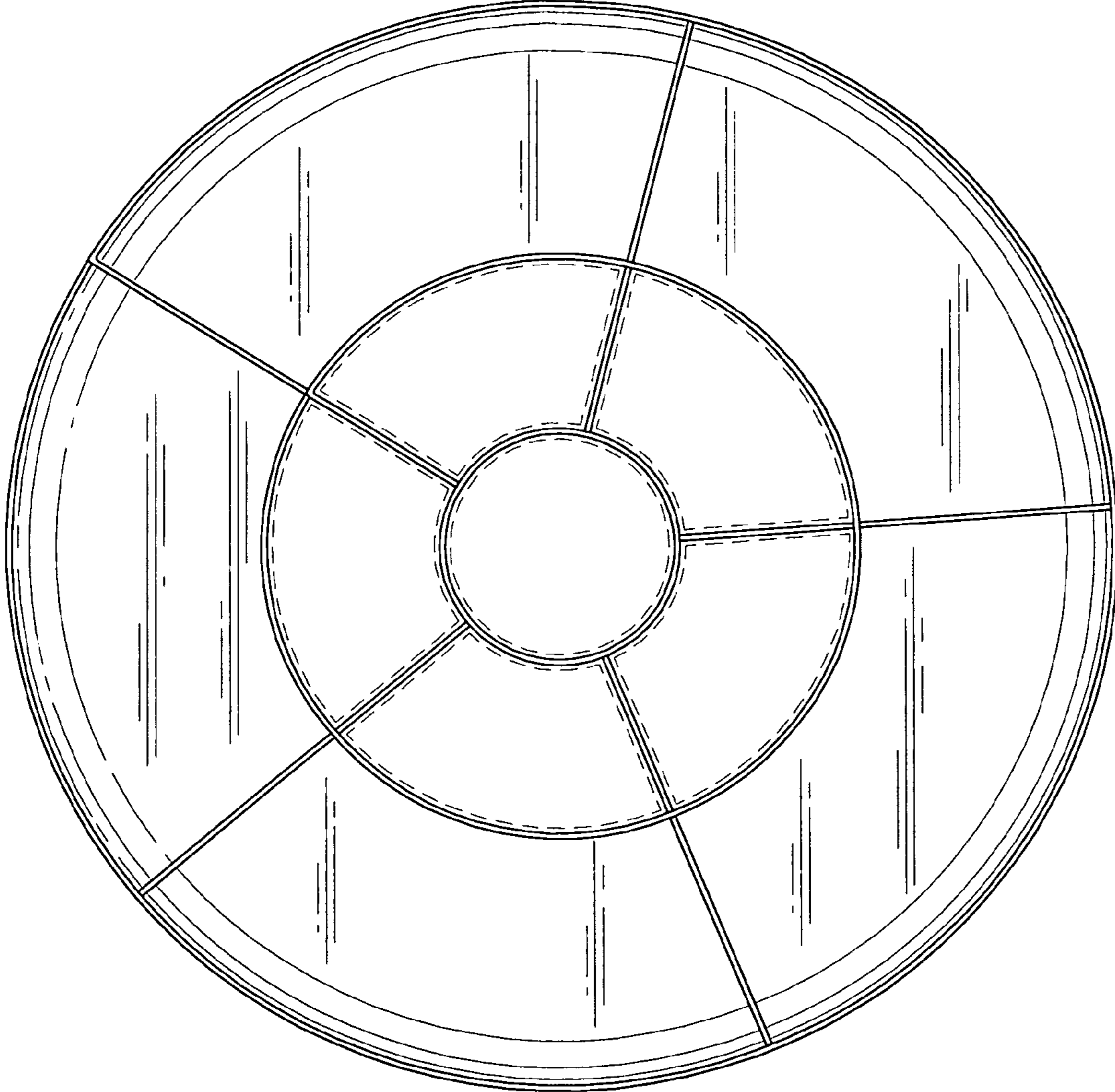


FIG. 7

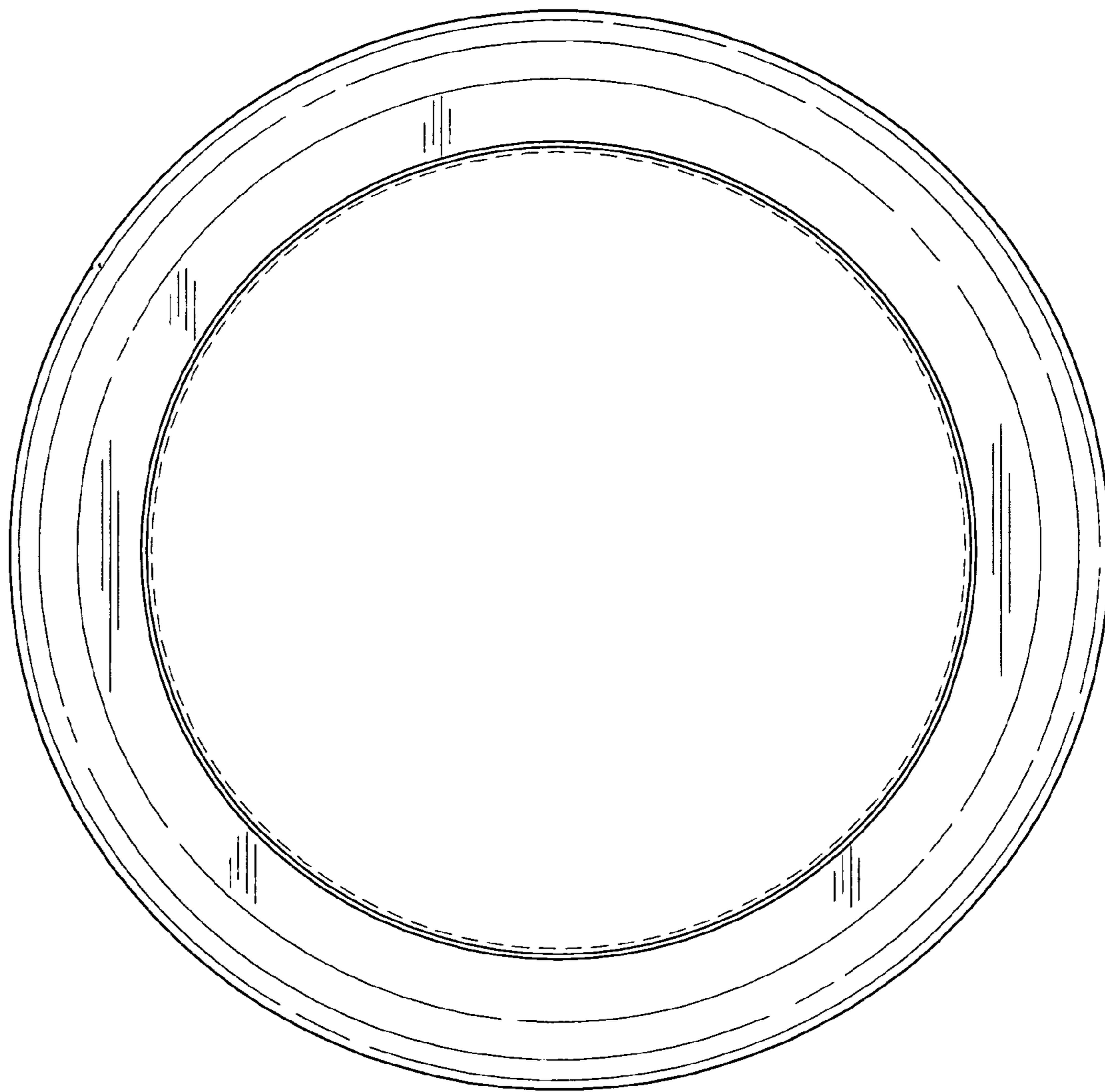


FIG. 8