

US00D650856S

(12) **United States Design Patent**
Salarilak

(10) **Patent No.:** **US D650,856 S**

(45) **Date of Patent:** **** Dec. 20, 2011**

(54) **BOOKMARK COMPACT**

(76) Inventor: **Mehran Salarilak**, Gibsonia, PA (US)

(**) Term: **14 Years**

(21) Appl. No.: **29/344,998**

(22) Filed: **Oct. 7, 2009**

(51) **LOC (9) Cl.** **19-99**

(52) **U.S. Cl.** **D19/34**

(58) **Field of Classification Search** D3/205,
D3/208, 211; D28/8.2, 9, 64.1, 64.3, 73,
D28/78-79, 81; D19/32, 34; D11/78.1,
D11/200, 223; 281/42; 116/234, 237, 239;
24/67 R, 67.9; 40/658, 666

See application file for complete search history.

(56) **References Cited**

U.S. PATENT DOCUMENTS

D141,601 S *	6/1945	Blume	D28/78
D141,984 S *	8/1945	Plate	D28/79
D155,414 S *	10/1949	Goldenstein	D28/64.3
D166,511 S *	4/1952	Westmore	D28/64.3
D243,041 S *	1/1977	Anderson	D28/64.3
D261,693 S *	11/1981	deHaseh	D28/64.3
D429,762 S *	8/2000	Mershon	D19/34
D482,495 S *	11/2003	Jackel-Marken	D28/81
D482,496 S *	11/2003	Jackel-Marken	D28/81

D484,277 S *	12/2003	Prince et al.	D28/64.1
D552,172 S *	10/2007	Mershon	D19/34
D560,720 S *	1/2008	Madden	D19/34

* cited by examiner

Primary Examiner — T. Chase Nelson

Assistant Examiner — Kathleen M Sims

(74) *Attorney, Agent, or Firm* — Amin Talati, LLC; Yuri Astvatsaturov; George Carrera

(57) **CLAIM**

The ornamental design for a bookmark compact, as shown.

DESCRIPTION

FIG. 1 is a front perspective view of a bookmark compact showing my new design, wherein a bulb is disconnected from a body of the bookmark compact.

FIG. 2 is a front elevational view of the bookmark compact in a closed configuration.

FIG. 3 is a rear elevational view of the bookmark compact in a closed configuration.

FIG. 4 is a right side view of the bookmark compact in a closed configuration; and,

FIG. 5 is a left side view of the bookmark compact in a closed configuration.

The broken line showing of details in FIGS. 1 and 3 is included for the purpose of showing environmental portions of the bookmark compact and form no part of the claimed design.

1 Claim, 5 Drawing Sheets

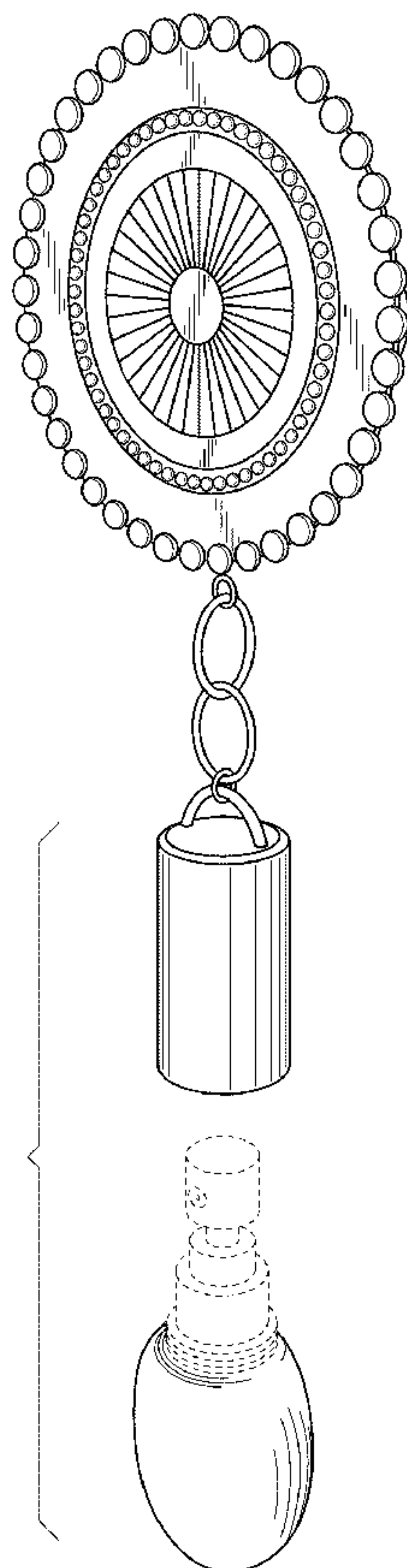


Fig. 1

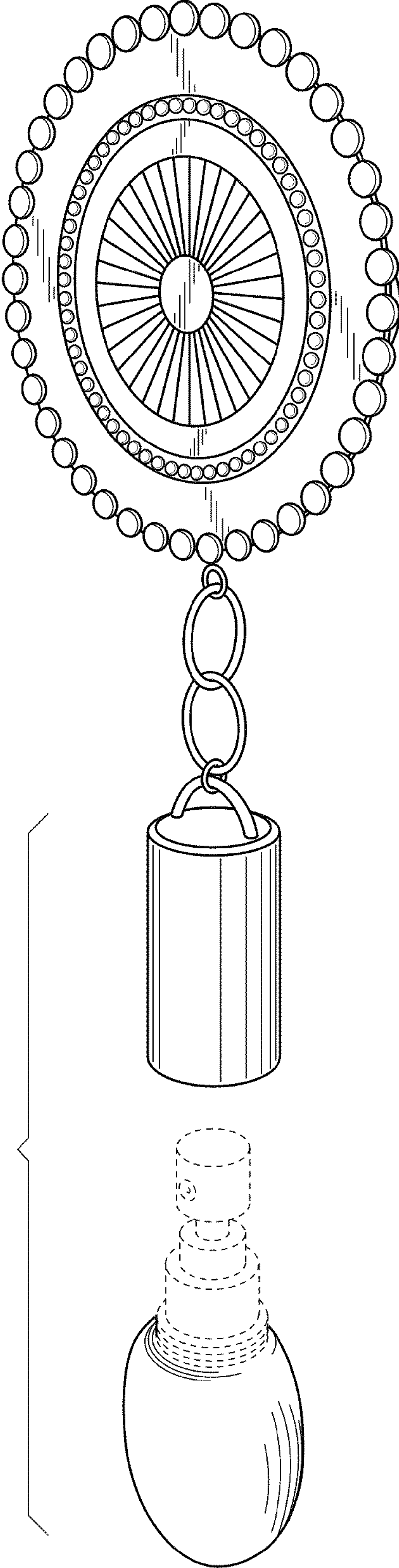


Fig. 2

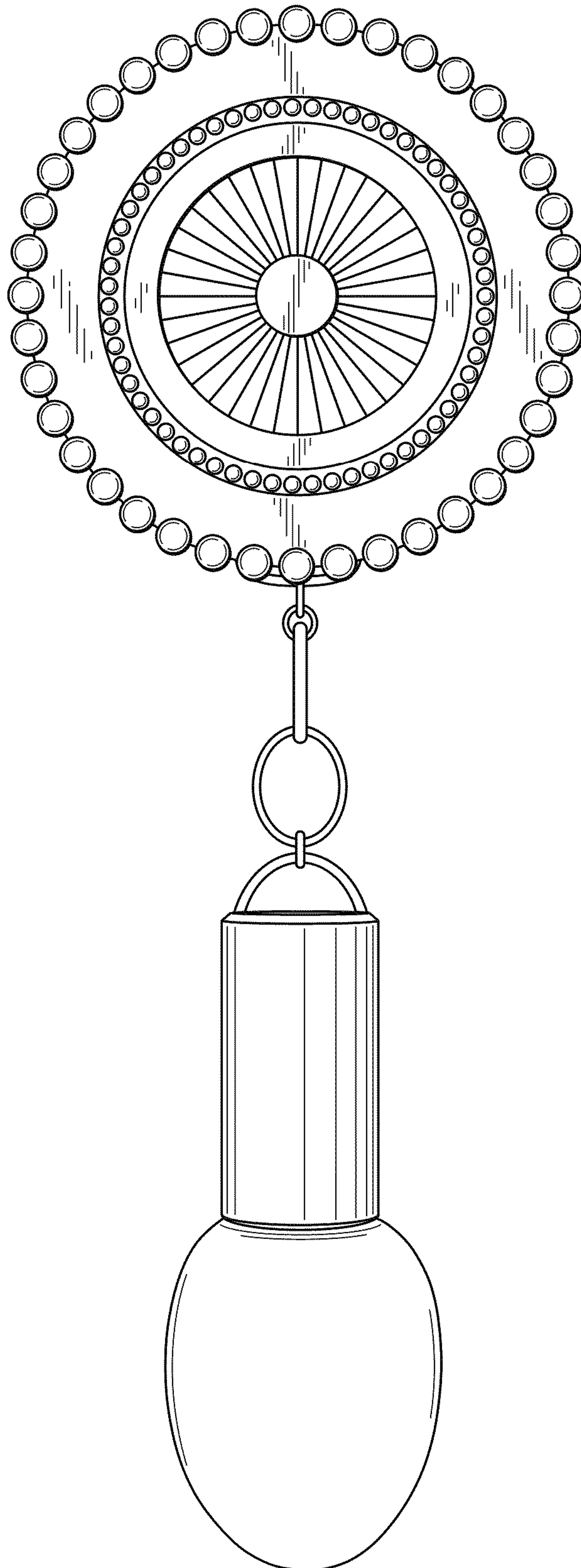


Fig. 3

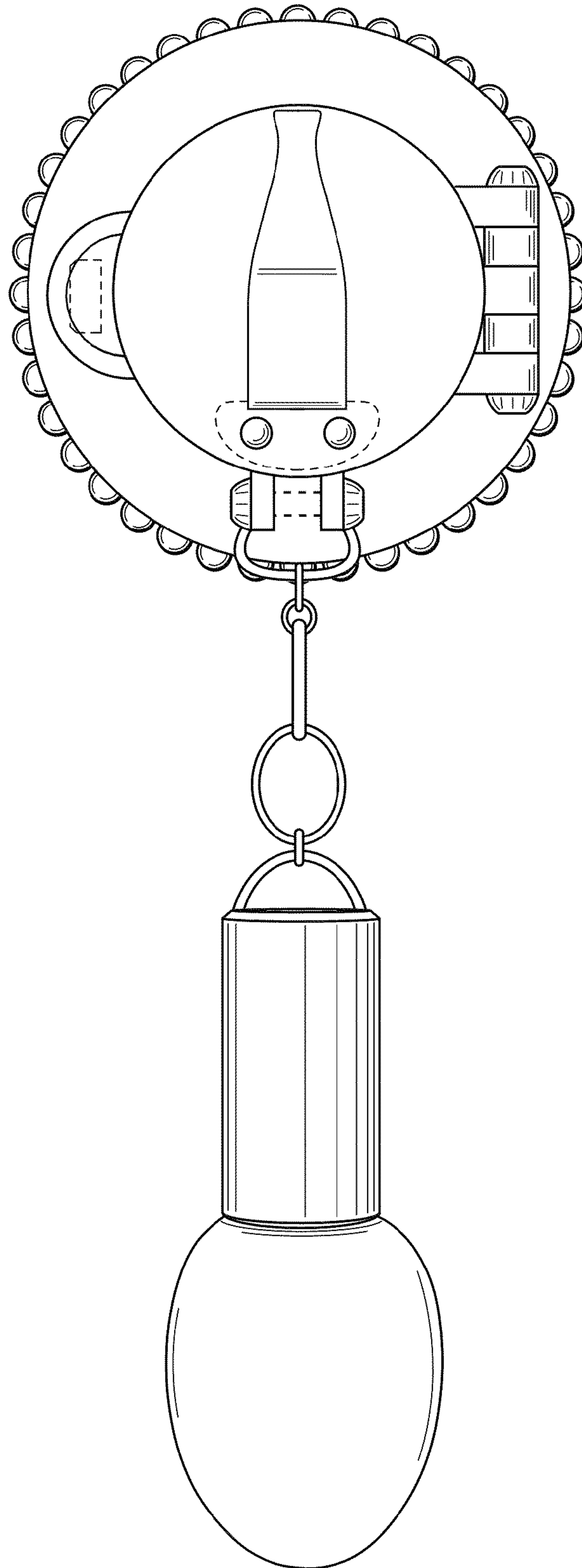


Fig. 4

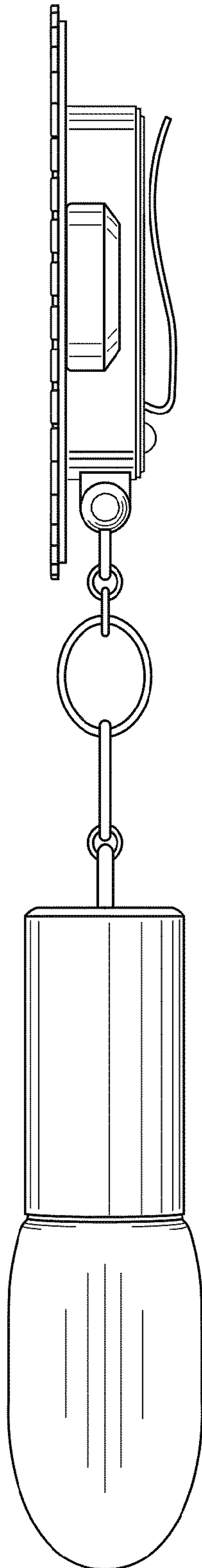


Fig. 5

