



US00D650846S

(12) **United States Design Patent**
Ritter et al.

(10) **Patent No.:** **US D650,846 S**

(45) **Date of Patent:** **** Dec. 20, 2011**

(54) **INK STICK FOR A PHASE CHANGE INK JET PRINTER**

(75) Inventors: **Jonathan R Ritter**, Cupertino, CA (US);
Brian Walter Aznoe, Sherwood, OR (US);
Brent Rodney Jones, Sherwood, OR (US);
Christopher R Gold, Tigard, OR (US)

(73) Assignee: **Xerox Corporation**, Norwalk, CT (US)

(**) Term: **14 Years**

(21) Appl. No.: **29/375,697**

(22) Filed: **Sep. 27, 2010**

(51) **LOC (9) Cl.** **18-02**

(52) **U.S. Cl.** **D18/56**

(58) **Field of Classification Search** D18/56;
347/88, 99; 106/31.29, 31.61
See application file for complete search history.

(56) **References Cited**

U.S. PATENT DOCUMENTS

D389,180	S	*	1/1998	Miyazawa et al.	D18/56
D409,237	S	*	5/1999	Ellers et al.	D18/56
D410,490	S	*	6/1999	Mattern et al.	D18/56
D412,527	S	*	8/1999	Ellers et al.	D18/56
D482,722	S	*	11/2003	Jones	D18/56
D497,176	S	*	10/2004	Levin et al.	D18/56

D518,097	S	*	3/2006	Jones	D18/56
D519,553	S	*	4/2006	Jones	D18/56
D527,762	S	*	9/2006	Jones	D18/56
D528,159	S	*	9/2006	Jones	D18/56
D529,085	S	*	9/2006	Jones et al.	D18/56
D537,116	S	*	2/2007	Jones et al.	D18/56
D586,387	S	*	2/2009	Aznoe et al.	D18/56

* cited by examiner

Primary Examiner — David Muller

(74) *Attorney, Agent, or Firm* — Tallam I. Nguti

(57) **CLAIM**

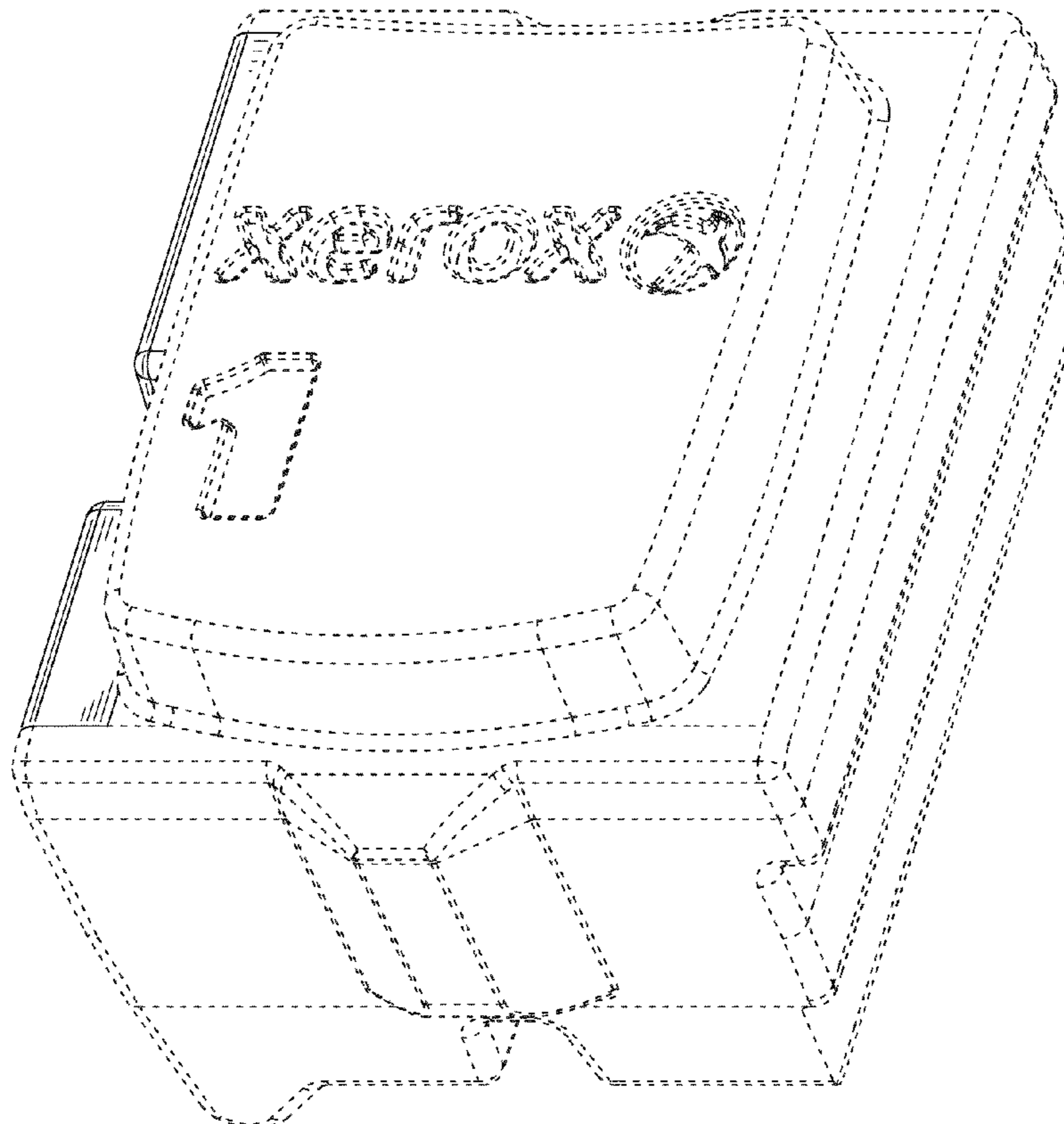
The ornamental design for an ink stick for a phase change ink jet printer, as shown and described.

DESCRIPTION

FIG. 1 is a perspective view of an ink stick for a phase change ink jet printer in accordance with the present invention; FIG. 2 is a front elevation view thereof; FIG. 3 is a right side elevation view thereof; FIG. 4 is a rear elevation view thereof; FIG. 5 is a left side elevation view thereof; FIG. 6 is a top plan view thereof; and, FIG. 7 is a bottom plan view thereof.

The features shown in broken lines in the drawing figures depict environmental subject matter only and form no part of the claimed design.

1 Claim, 7 Drawing Sheets



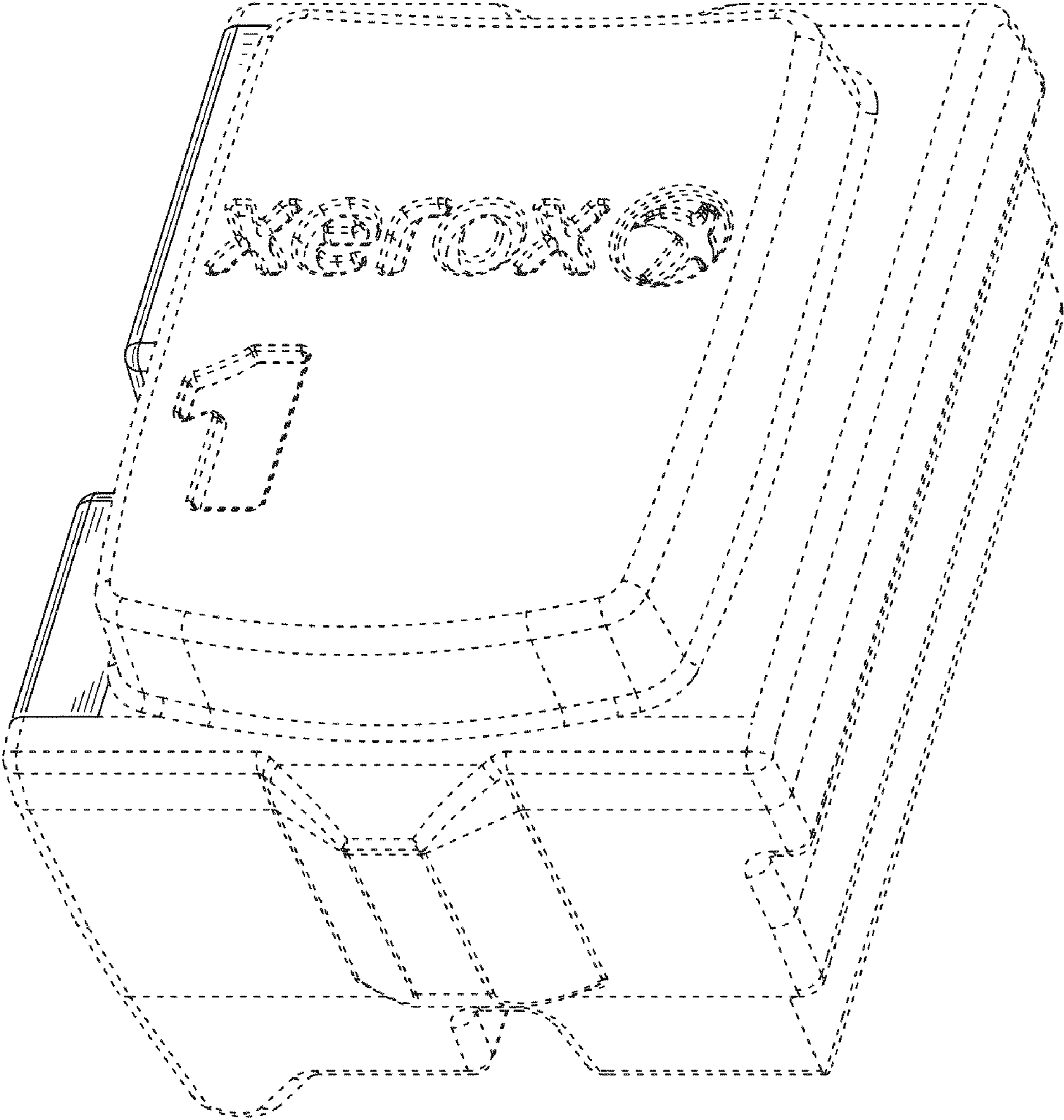


FIG. 1

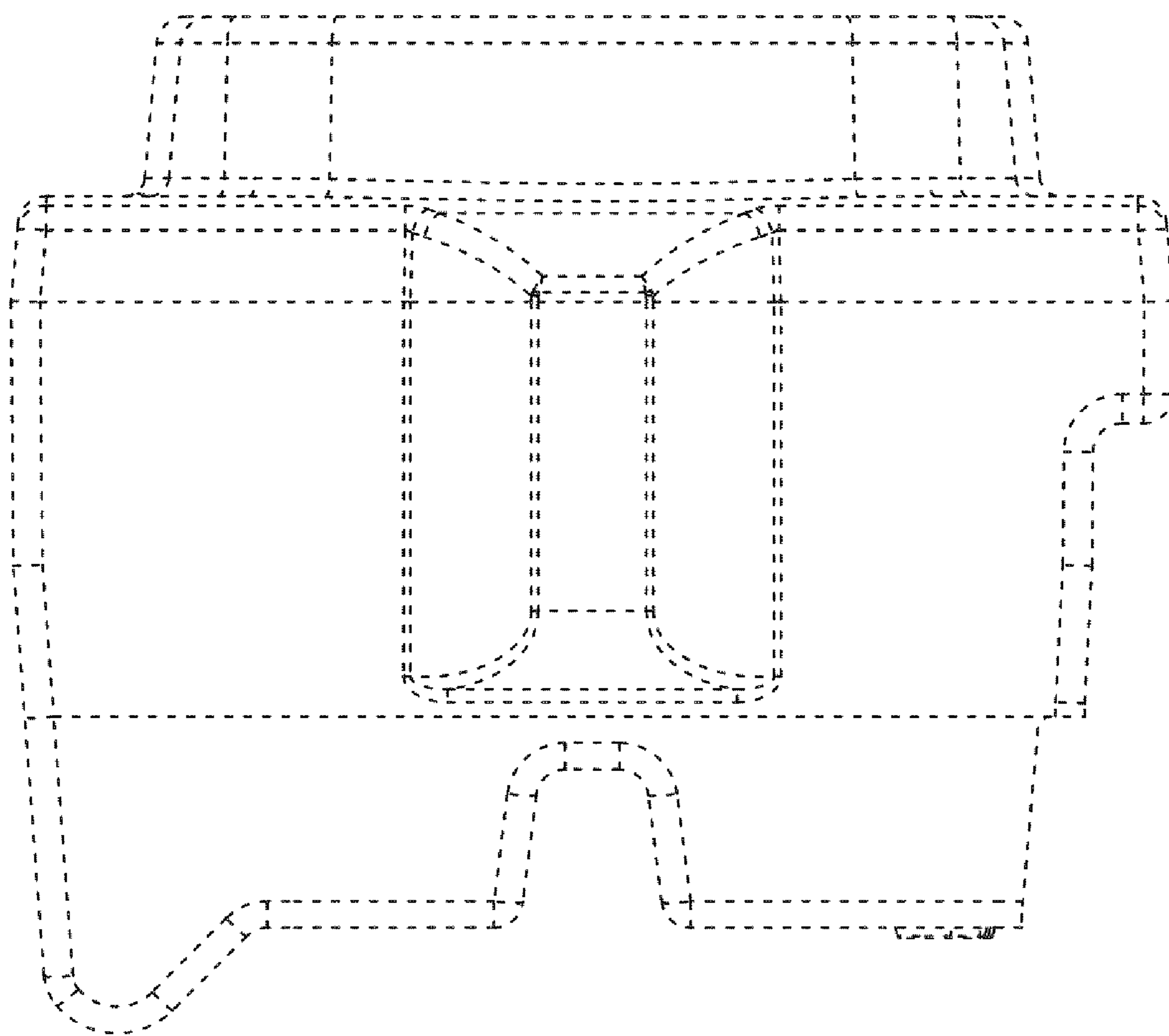


FIG. 2

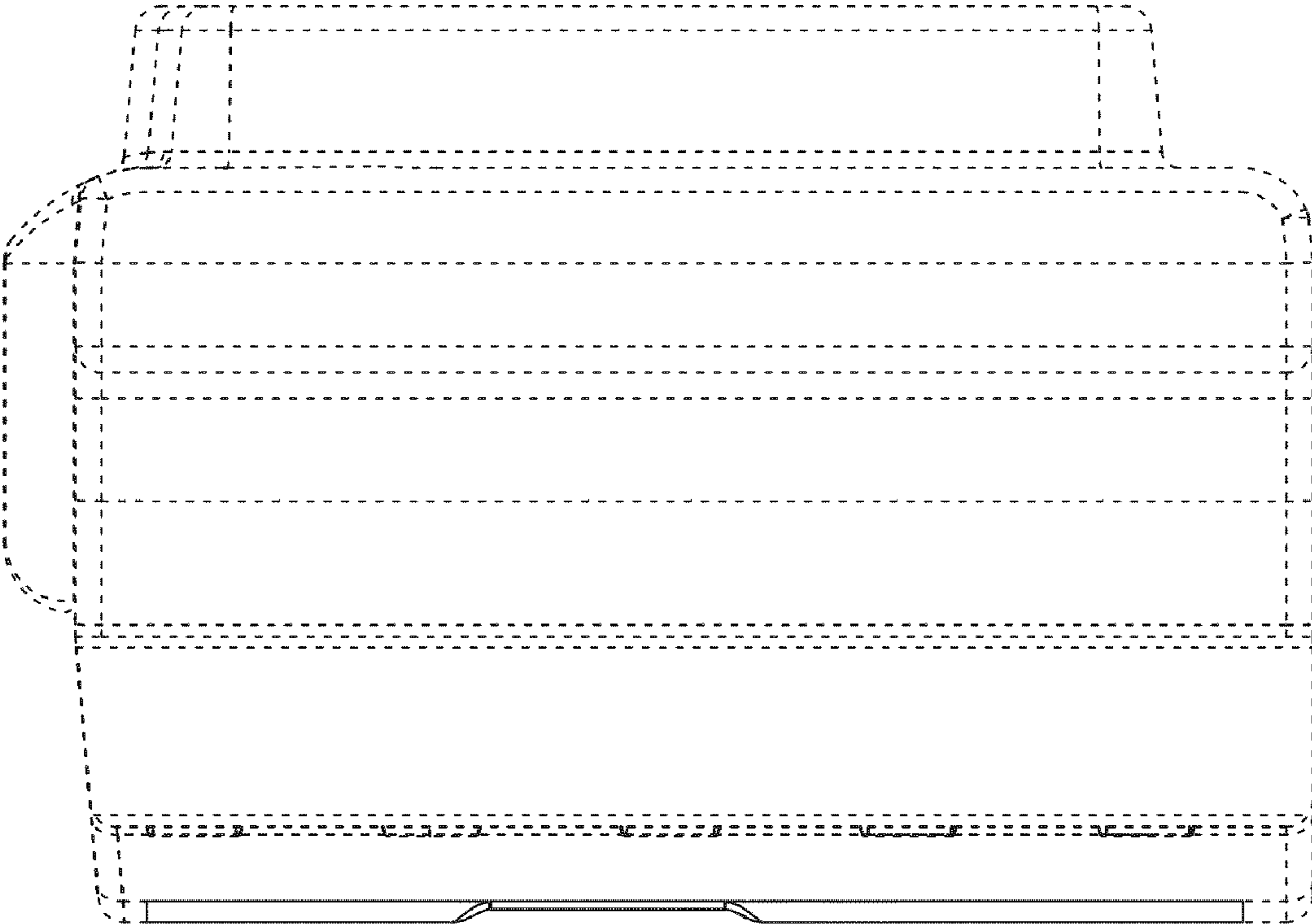


FIG. 3

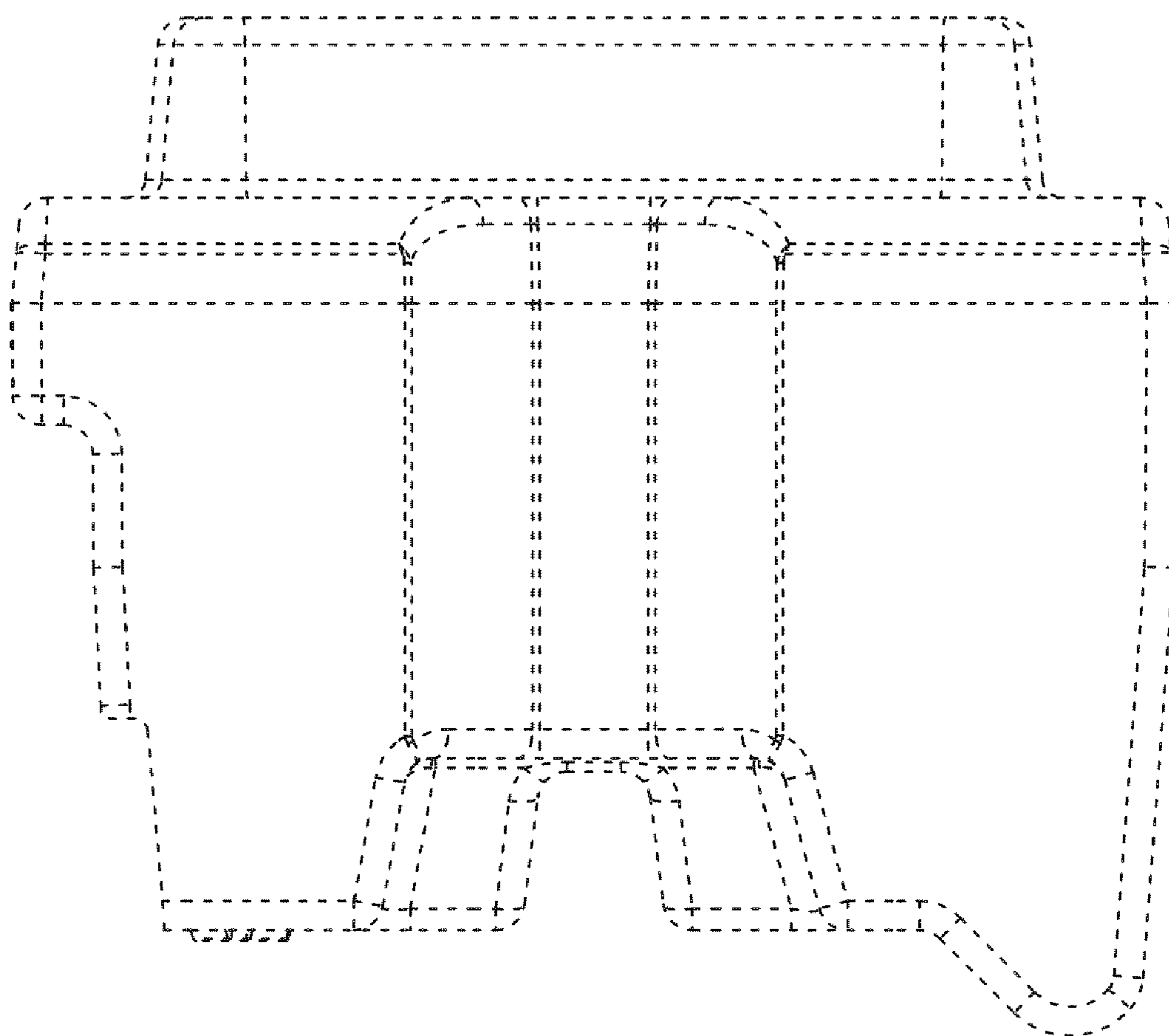


FIG. 4

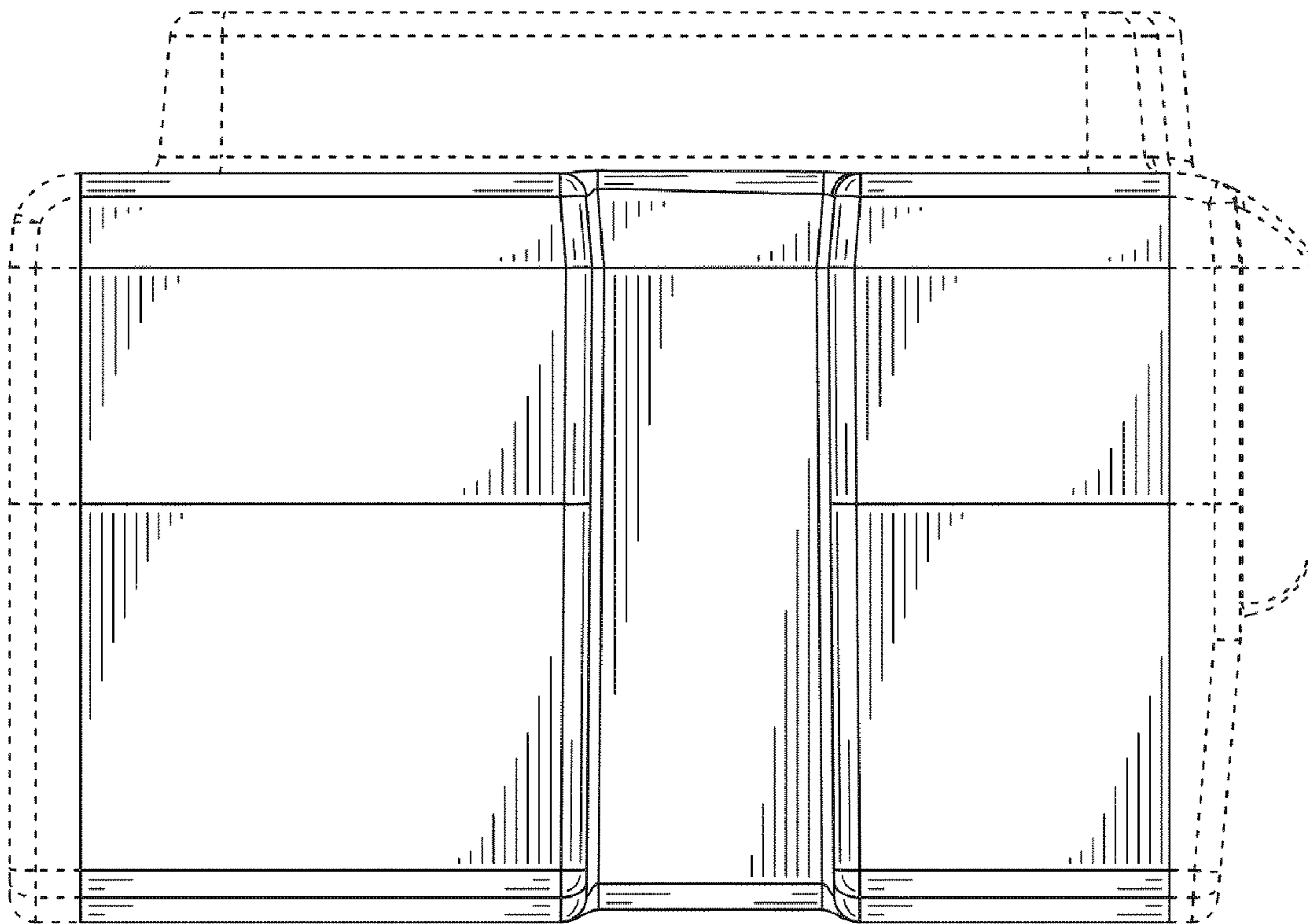


FIG. 5

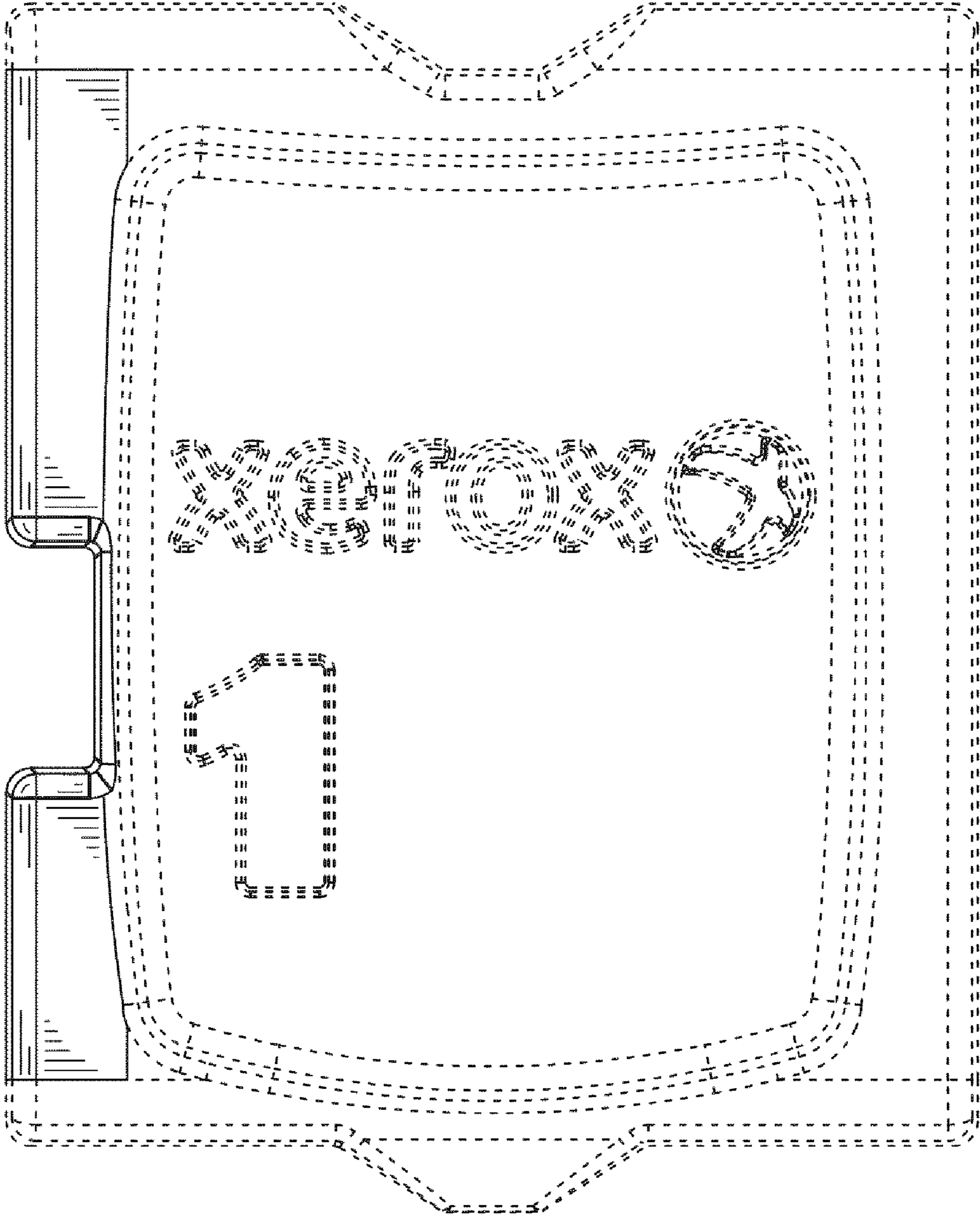


FIG. 6

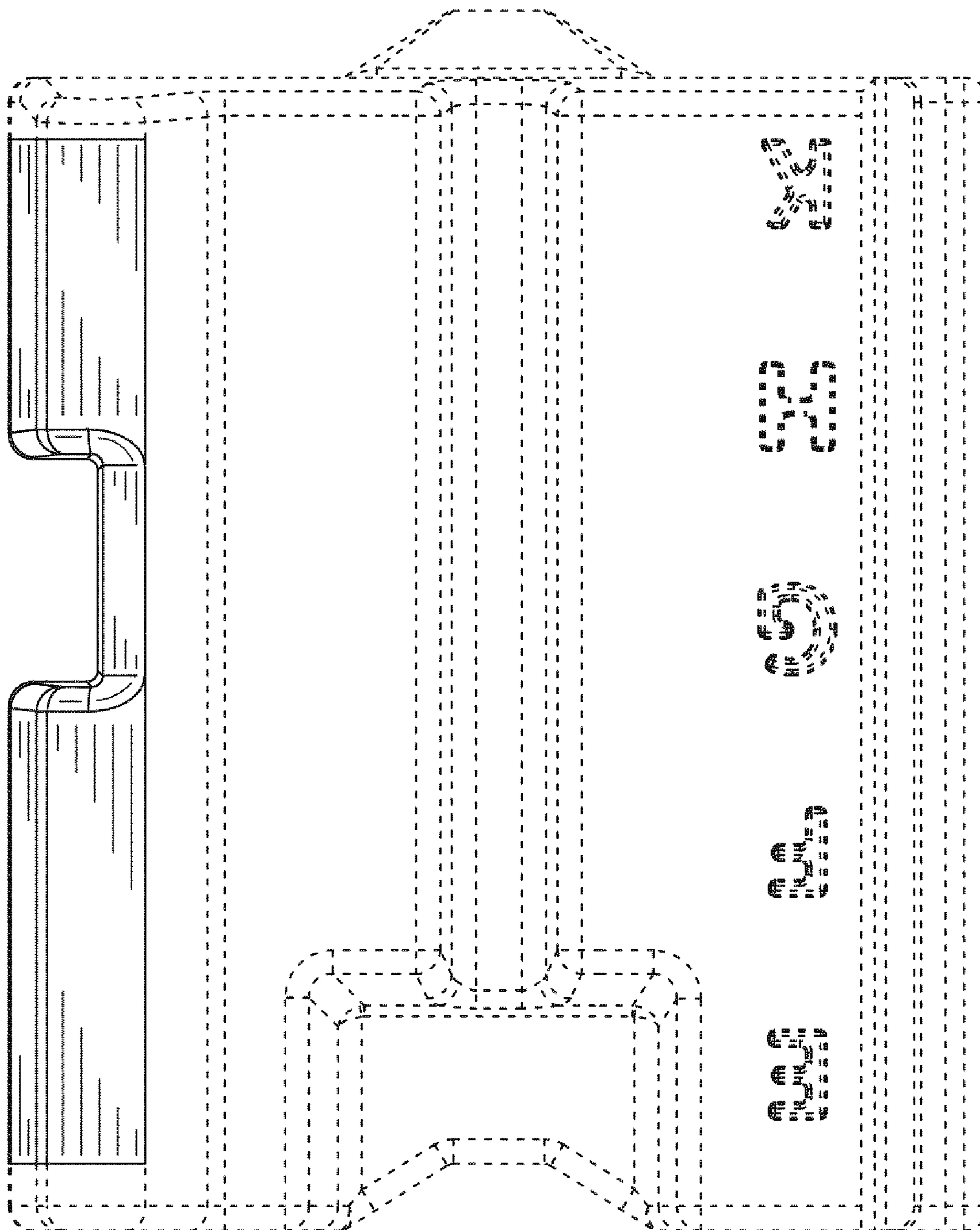


FIG. 7