



US00D650836S

(12) **United States Design Patent**
Aznoe et al.

(10) **Patent No.:** **US D650,836 S**

(45) **Date of Patent:** **** *Dec. 20, 2011**

(54) **INK STICK FOR A PHASE CHANGE INK JET PRINTER**

(75) Inventors: **Brian Walter Aznoe**, Sherwood, OR (US); **Jonathan R Ritter**, Cupertino, CA (US); **Brent Rodney Jones**, Sherwood, OR (US); **Christopher R Gold**, Tigard, OR (US)

(73) Assignee: **Xerox Corporation**, Norwalk, CT (US)

(*) Notice: This patent is subject to a terminal disclaimer.

(**) Term: **14 Years**

(21) Appl. No.: **29/375,675**

(22) Filed: **Sep. 27, 2010**

(51) **LOC (9) Cl.** **18-02**

(52) **U.S. Cl.** **D18/56**

(58) **Field of Classification Search** D18/56;
347/88, 99; 106/31.29, 31.61

See application file for complete search history.

(56) **References Cited**

U.S. PATENT DOCUMENTS

D389,180 S *	1/1998	Miyazawa et al.	D18/56
D409,237 S *	5/1999	Ellers et al.	D18/56
D410,490 S *	6/1999	Mattern et al.	D18/56
D412,527 S *	8/1999	Ellers et al.	D18/56
D495,735 S *	9/2004	Levin et al.	D18/56

D500,516 S *	1/2005	Jones et al.	D18/56
D521,552 S *	5/2006	Jones et al.	D18/56
D524,854 S *	7/2006	Jones et al.	D18/56
D528,159 S *	9/2006	Jones	D18/56
D535,327 S *	1/2007	Korn et al.	D18/56
D537,116 S *	2/2007	Jones et al.	D18/56
D540,854 S *	4/2007	Korn et al.	D18/56
D570,407 S *	6/2008	Korn et al.	D18/56
D586,386 S *	2/2009	Aznoe et al.	D18/56
D586,387 S *	2/2009	Aznoe et al.	D18/56
D634,778 S *	3/2011	Gold et al.	D18/56
D635,612 S *	4/2011	Gold et al.	D18/56

* cited by examiner

Primary Examiner — David Muller

(74) *Attorney, Agent, or Firm* — Tallam I. Nguti

(57) **CLAIM**

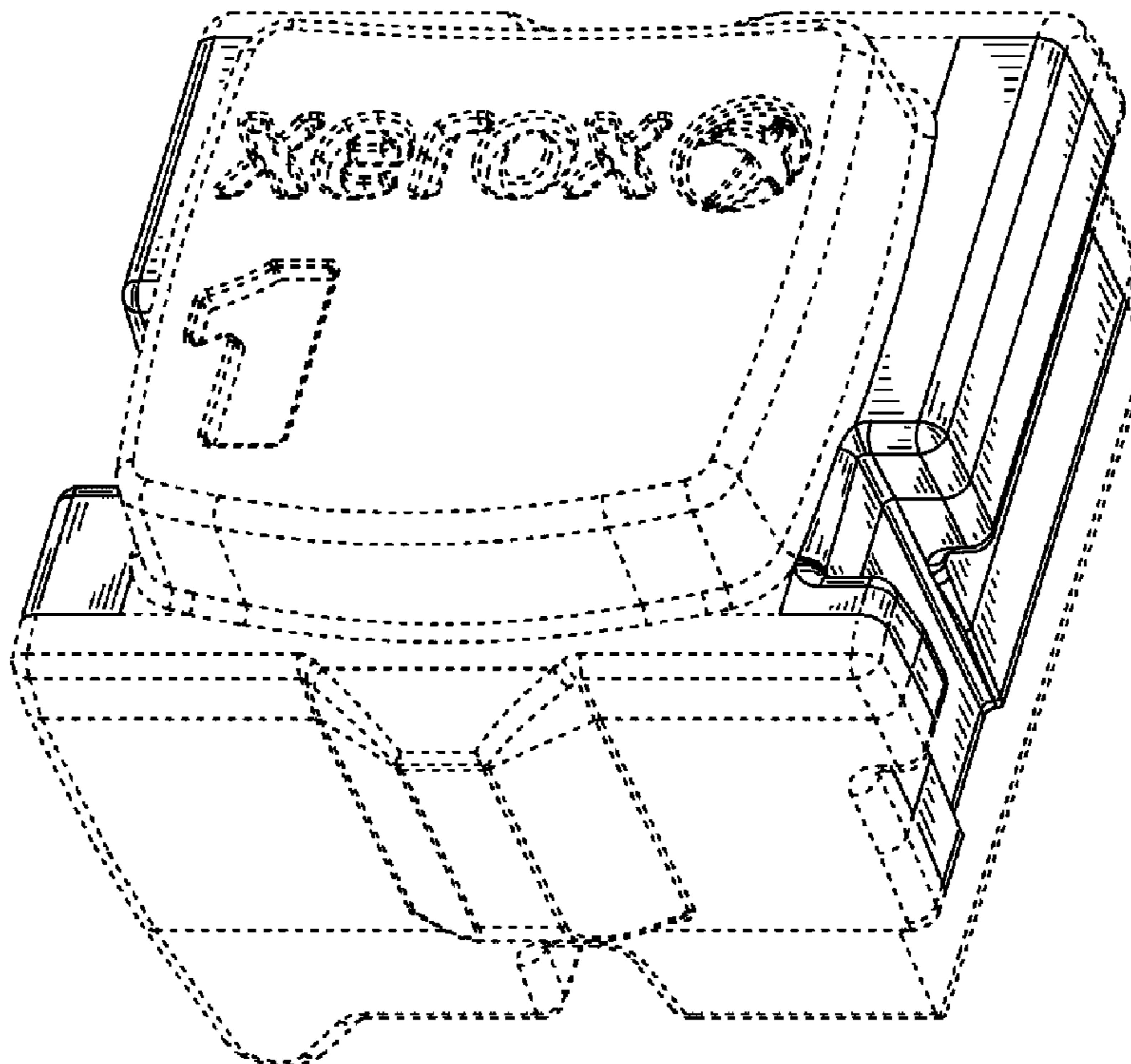
The ornamental design for an ink stick for a phase change ink jet printer, as shown and described.

DESCRIPTION

FIG. 1 is a perspective view of an ink stick for a phase change ink jet printer in accordance with the present invention; FIG. 2 is a front elevation view thereof; FIG. 3 is a right side elevation view thereof; FIG. 4 is a rear elevation view thereof; FIG. 5 is a left side elevation view thereof; FIG. 6 is a top plan view thereof; and, FIG. 7 is a bottom plan view thereof.

The features shown in broken lines in the drawing figures depict environmental subject matter only and form no part of the claimed design.

1 Claim, 7 Drawing Sheets



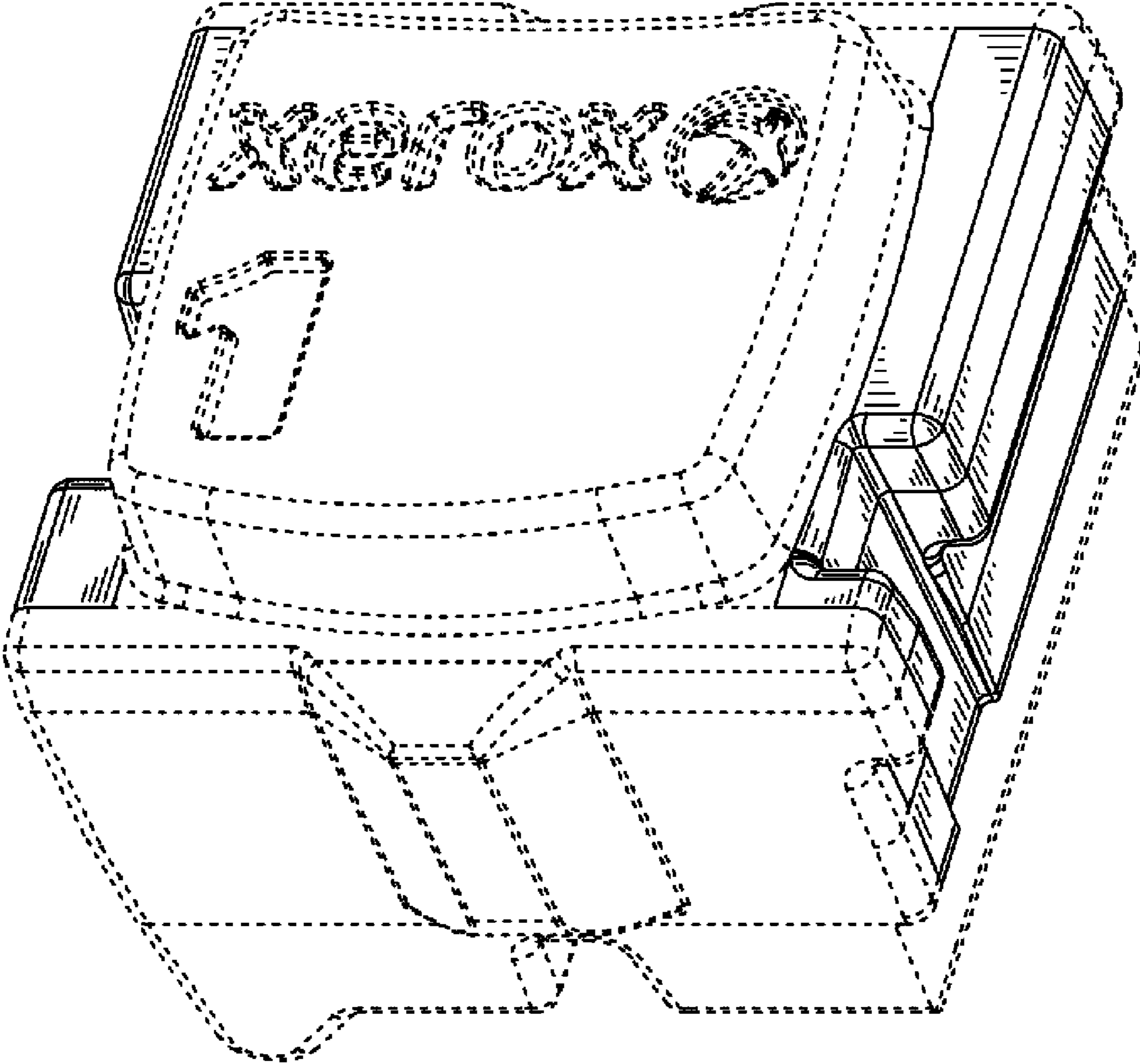


FIG. 1

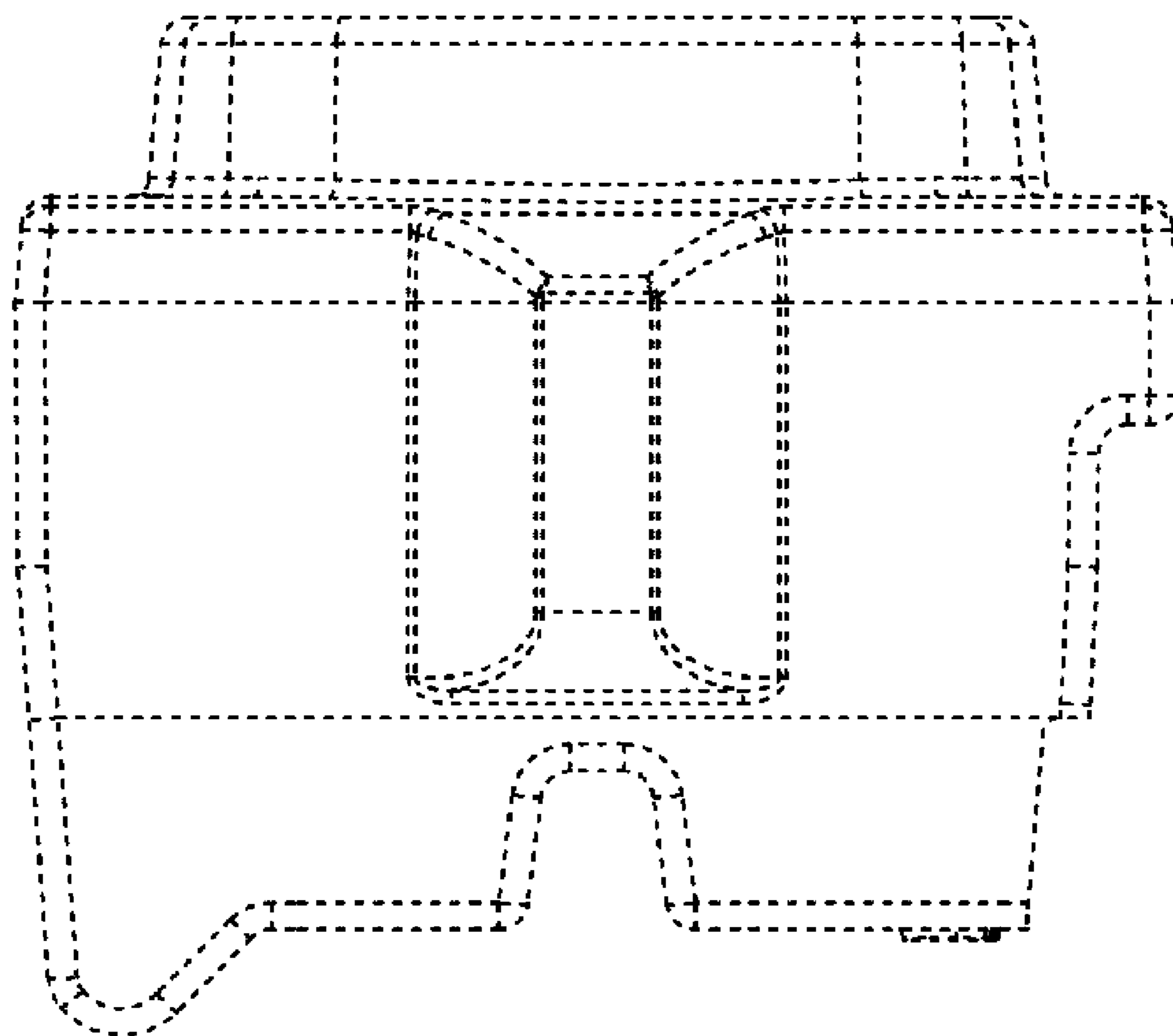


FIG. 2

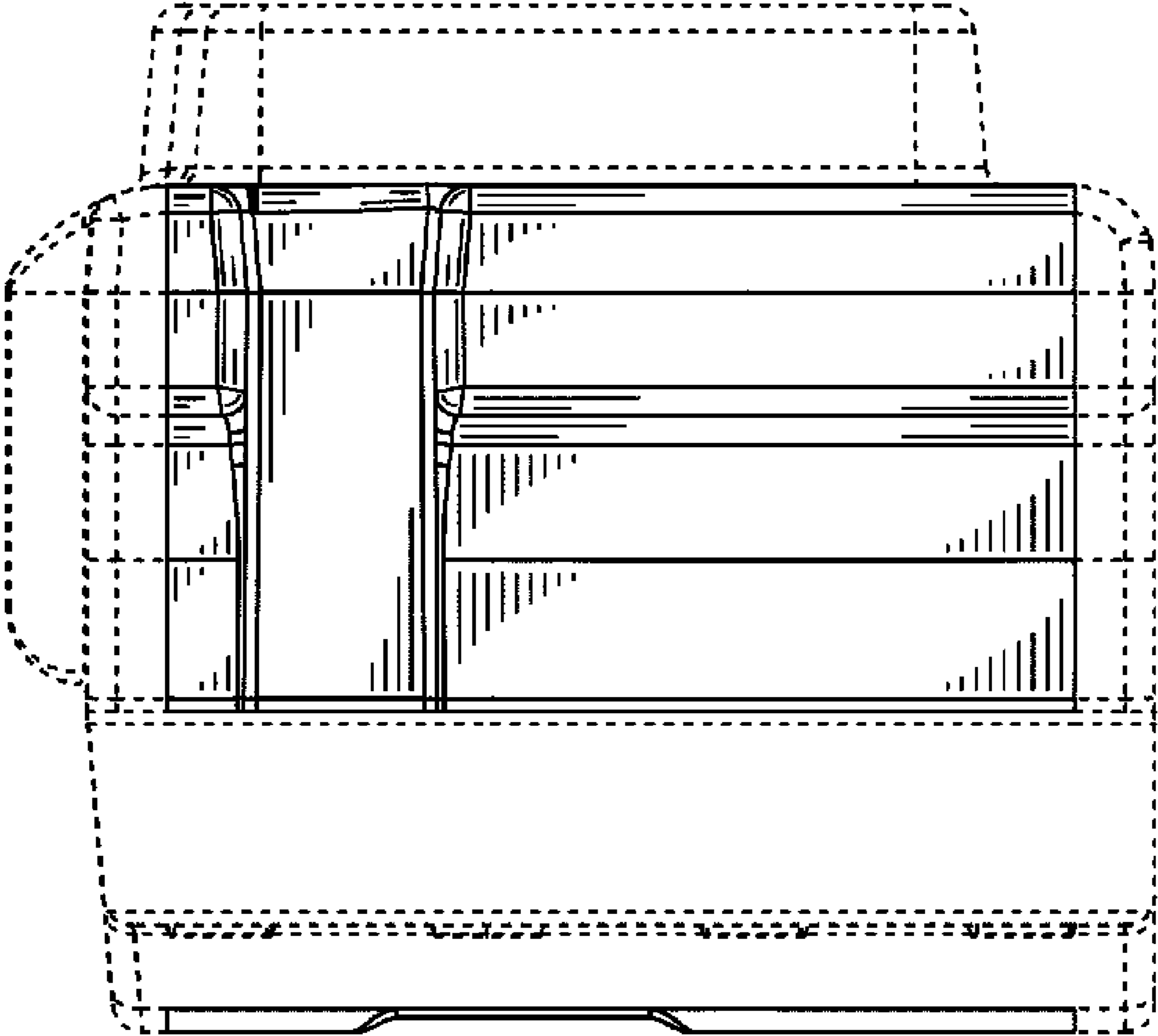


FIG. 3

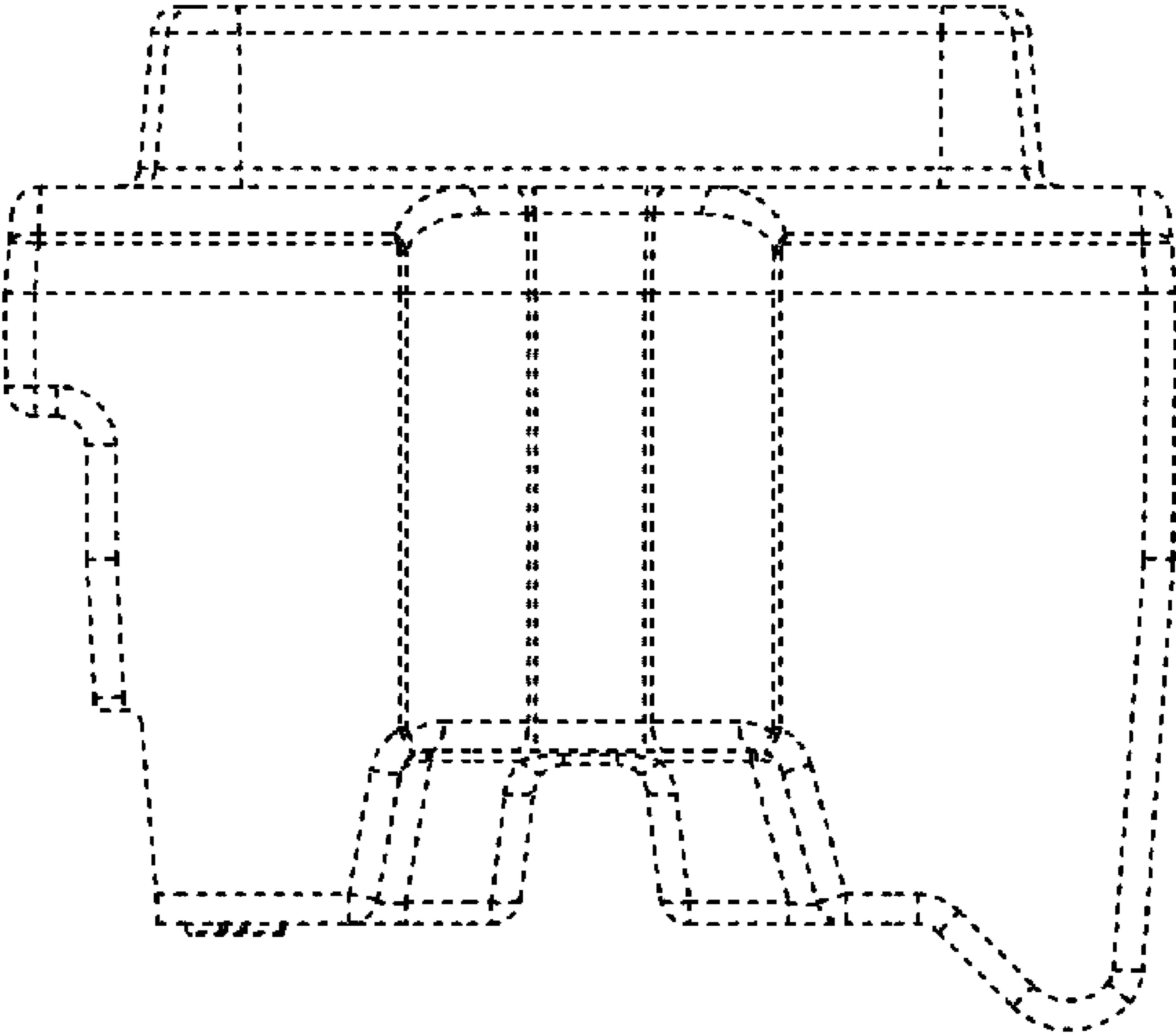


FIG. 4

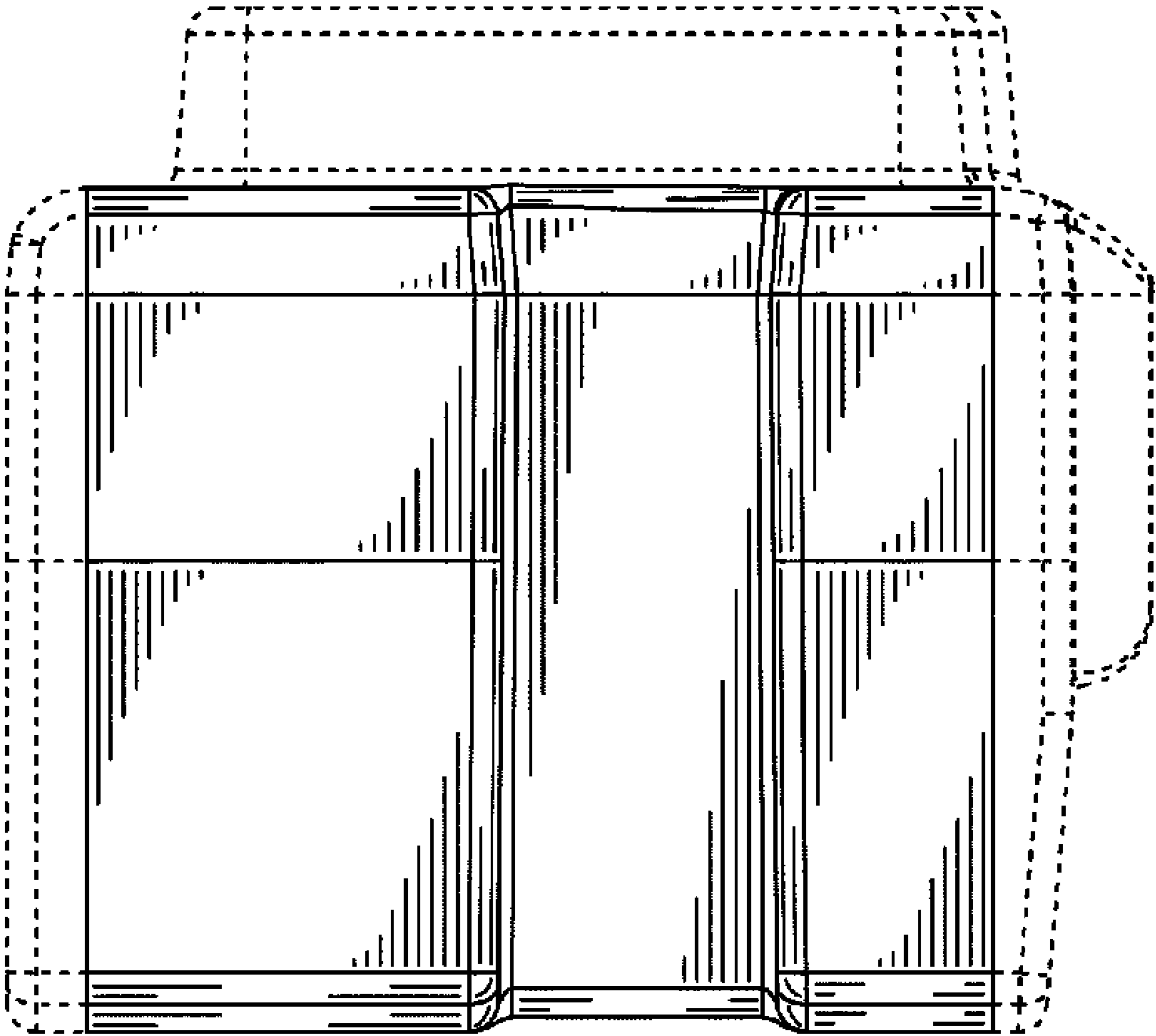


FIG. 5

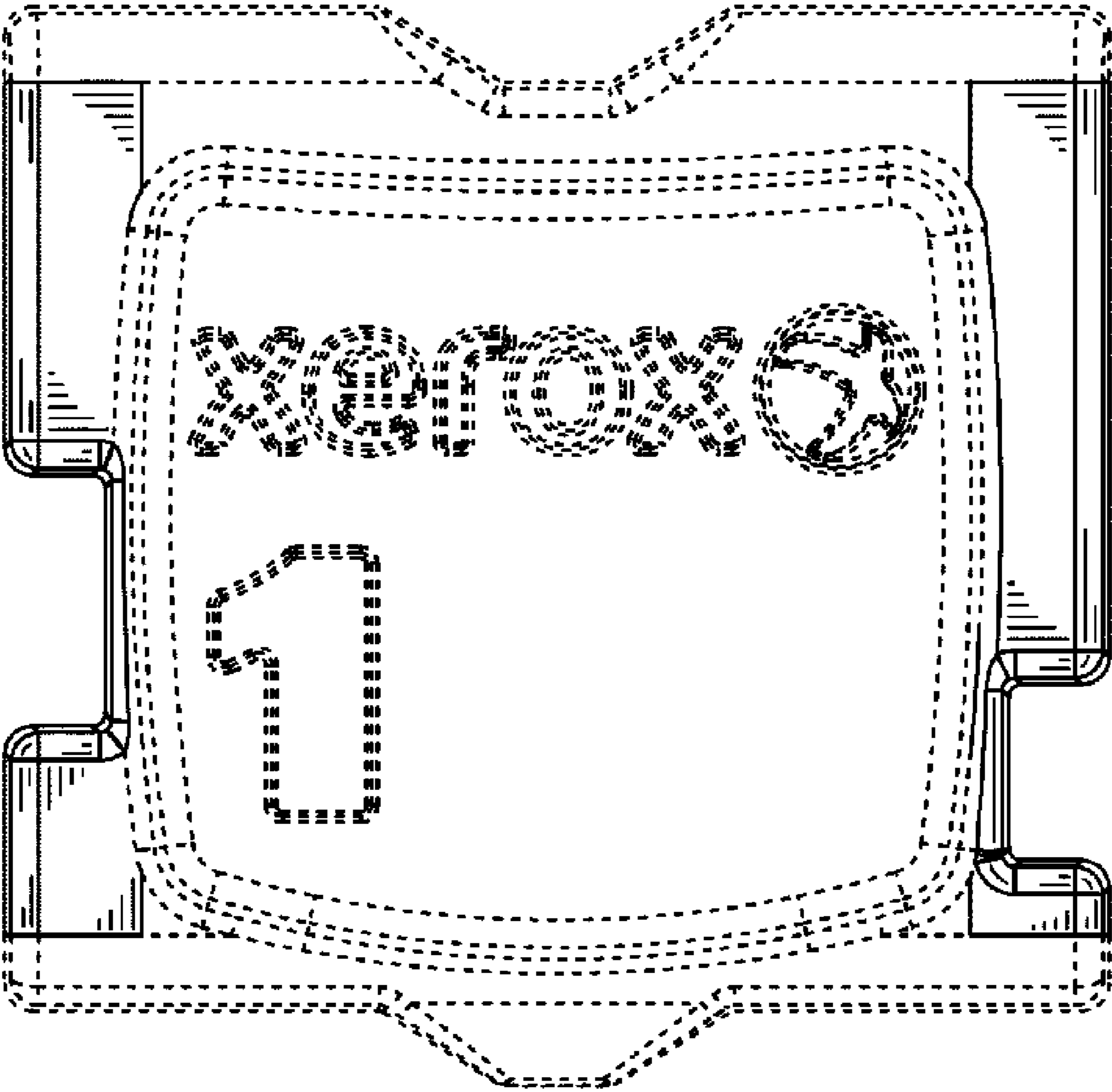


FIG. 6

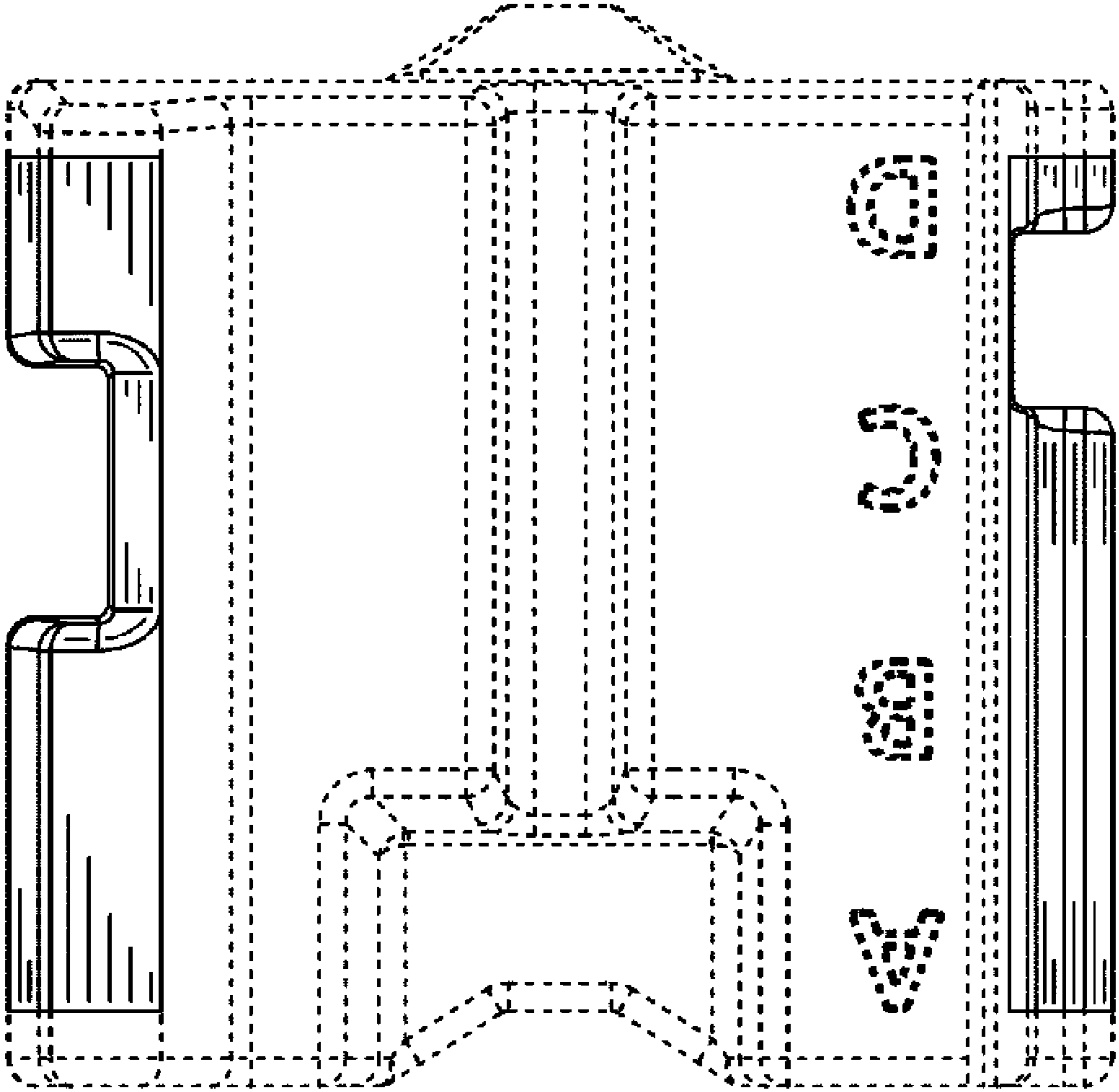


FIG. 7