



US00D650835S

(12) **United States Design Patent**
Han

(10) **Patent No.:** **US D650,835 S**
(45) **Date of Patent:** **** Dec. 20, 2011**

(54) **DEVELOPING DEVICE FOR A LASER
PRINTER**

(75) Inventor: **Min-Soo Han**, Kyunggi-do (KR)

(73) Assignee: **Samsung Electronics Co., Ltd.**, Suwon,
Kyunggi-Do (KR)

(**) Term: **14 Years**

(21) Appl. No.: **29/372,421**

(22) Filed: **Nov. 17, 2010**

(51) **LOC (9) Cl.** **16-03**

(52) **U.S. Cl.** **D18/43**

(58) **Field of Classification Search** D14/471;
D18/12, 36, 40, 43, 44, 56; 222/DIG. 1;
347/197, 222; 399/24-28, 107-112, 119,
399/121, 122, 222-224

See application file for complete search history.

(56) **References Cited**

U.S. PATENT DOCUMENTS

D286,541 S	*	11/1986	Takahashi et al.	D18/43
D378,830 S		4/1997	Kim		
D458,300 S	*	6/2002	Kwon	D18/43
D460,980 S	*	7/2002	Matsuzaki et al.	D18/40
D538,850 S		3/2007	Choi et al.		
D539,335 S		3/2007	Jeon et al.		
D544,528 S		6/2007	Kim		
D546,382 S		7/2007	Noh et al.		
D547,368 S		7/2007	Han		
D551,286 S		9/2007	Han		
D555,193 S		11/2007	Choi		
D559,902 S		1/2008	Park et al.		
D570,403 S		6/2008	Park et al.		
D577,061 S		9/2008	Kim		
D580,485 S		11/2008	Park et al.		
D581,975 S		12/2008	Park et al.		
D582,473 S		12/2008	Park et al.		

D583,862 S	12/2008	Park et al.
D584,343 S	1/2009	Kwon
D584,345 S	1/2009	Choi et al.
D584,765 S	1/2009	Park et al.
D586,847 S	2/2009	Han
D587,303 S	2/2009	Park
D588,191 S	3/2009	Baek et al.
D597,592 S	8/2009	Kim
D597,593 S	8/2009	Jeon et al.
D598,049 S	8/2009	Park
D600,276 S	9/2009	Noh et al.

(Continued)

OTHER PUBLICATIONS

U.S. Appl. No. 29/316,709, Applicant: Jong-in Kim, filed Oct. 23, 2009 entitled Cartridge for Printer Development Device.

(Continued)

Primary Examiner — Garth Rademaker

(74) *Attorney, Agent, or Firm* — Flynn, Thiel, Boutell & Tanis, P.C.

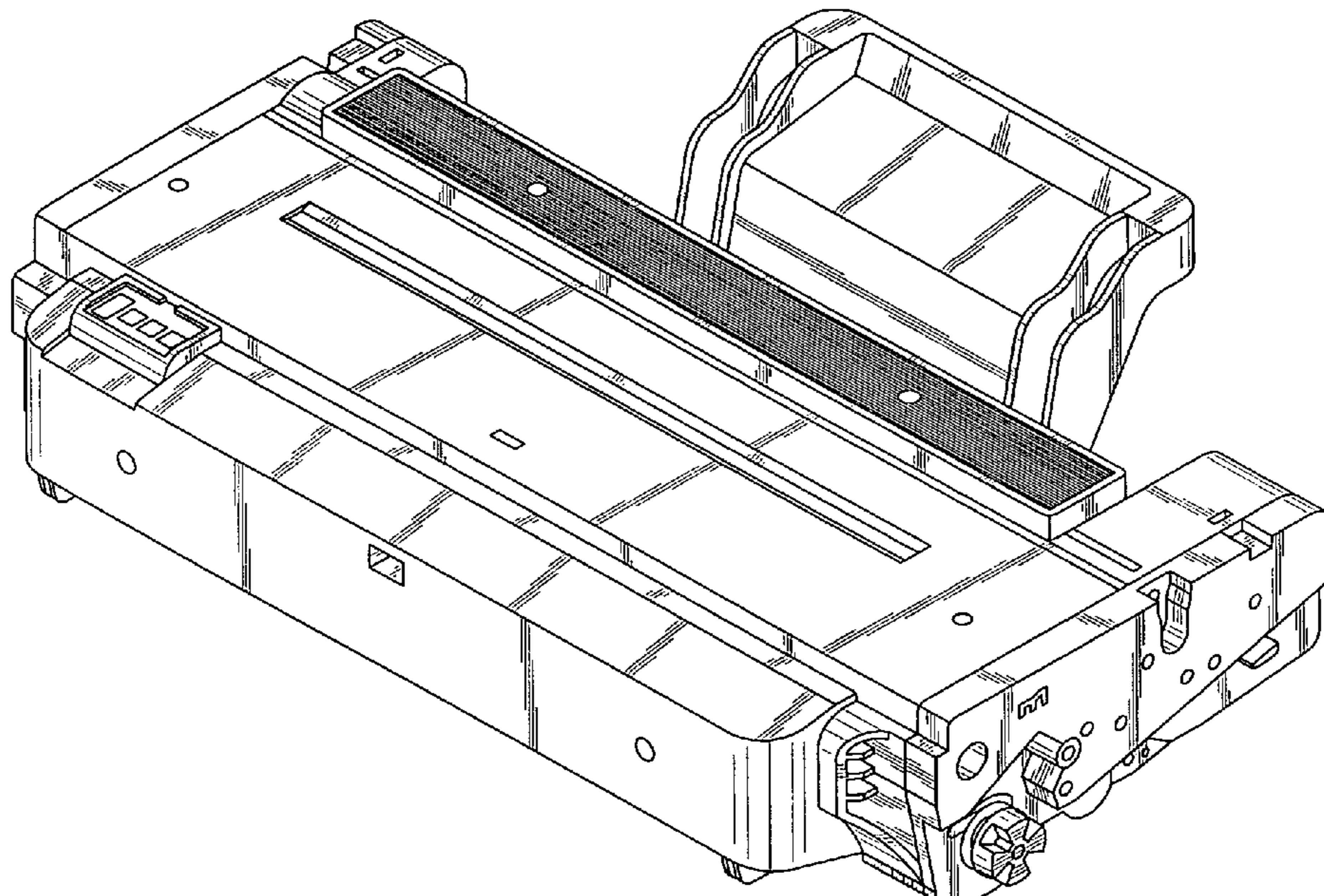
(57) **CLAIM**

The ornamental design for a developing device for a laser printer, as shown and described.

DESCRIPTION

FIG. 1 is a top front perspective view of a developing device for a laser printer showing my new design; FIG. 2 is a front elevational view thereof; FIG. 3 is a rear elevational view thereof; FIG. 4 is a left side elevational view thereof; FIG. 5 is a right side elevational view thereof; FIG. 6 is a top plan view thereof; and, FIG. 7 is a bottom plan view thereof. The broken lines depict environmental subject matter only and form no part of the claimed design.

1 Claim, 3 Drawing Sheets



US D650,835 S

Page 2

U.S. PATENT DOCUMENTS

D600,744 S 9/2009 Kim
D613,331 S 4/2010 Park et al.
D624,583 S 9/2010 Lee et al.
D624,584 S 9/2010 Park et al.
D624,585 S 9/2010 Park et al.
D624,958 S 10/2010 Park et al.
D625,755 S 10/2010 Park et al.
D636,433 S * 4/2011 Kim D18/43
D636,434 S * 4/2011 Kim D18/43

OTHER PUBLICATIONS

U.S. Appl. No. 29/316,711, Applicant: Jong-In Kim, filed Oct. 23, 2009 entitled Cartridge for Printer Development Device.
U.S. Appl. No. 29/348,991, Applicant: Dae-Seob Kweon, et al., filed Feb. 26, 2010 entitled Developing Device for a Laser Printer.
U.S. Appl. No. 29/372,424, Applicant: Min-Soo Han, filed Nov. 17, 2010 entitled Developing Device for a Laser Printer.

* cited by examiner

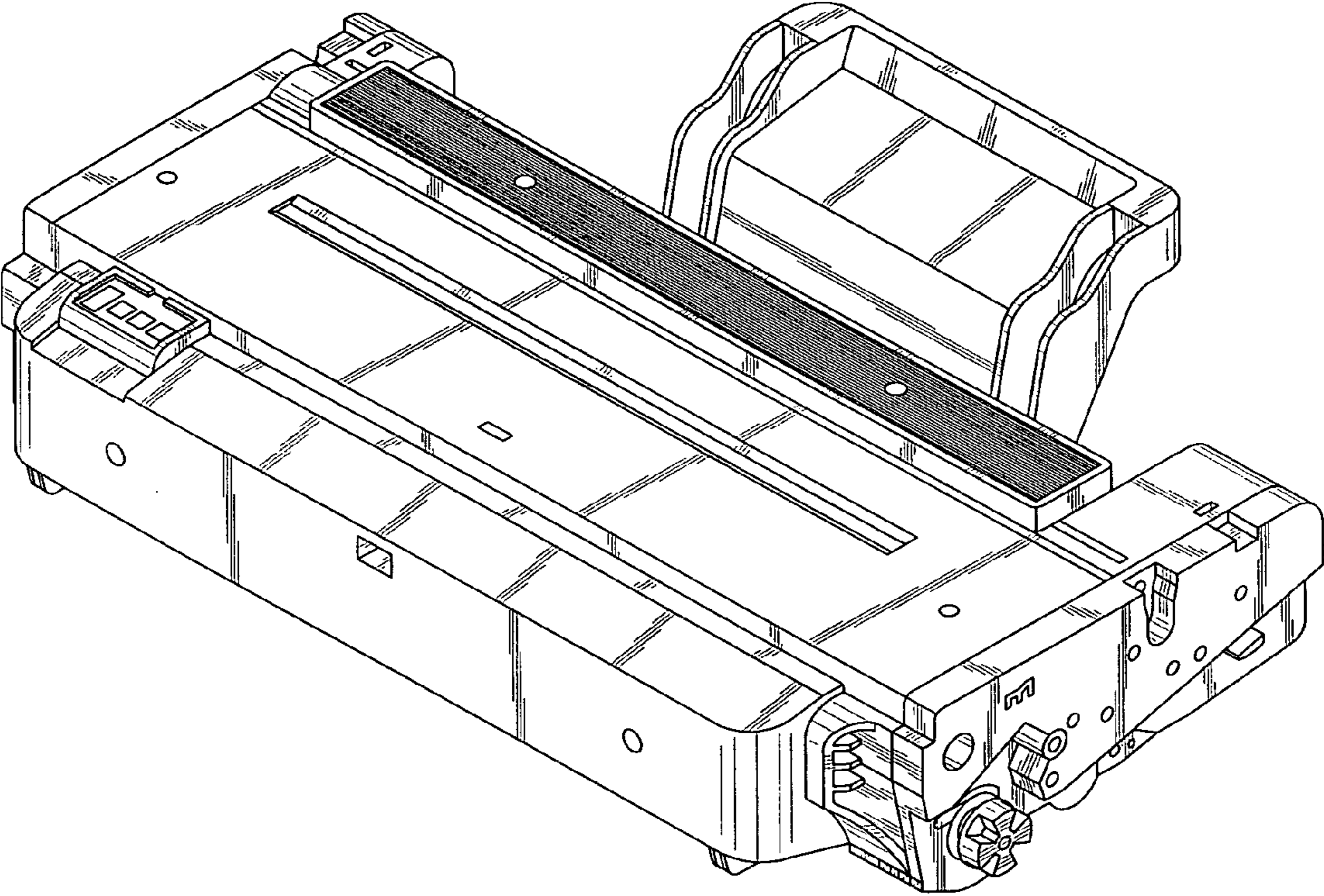


FIG.1

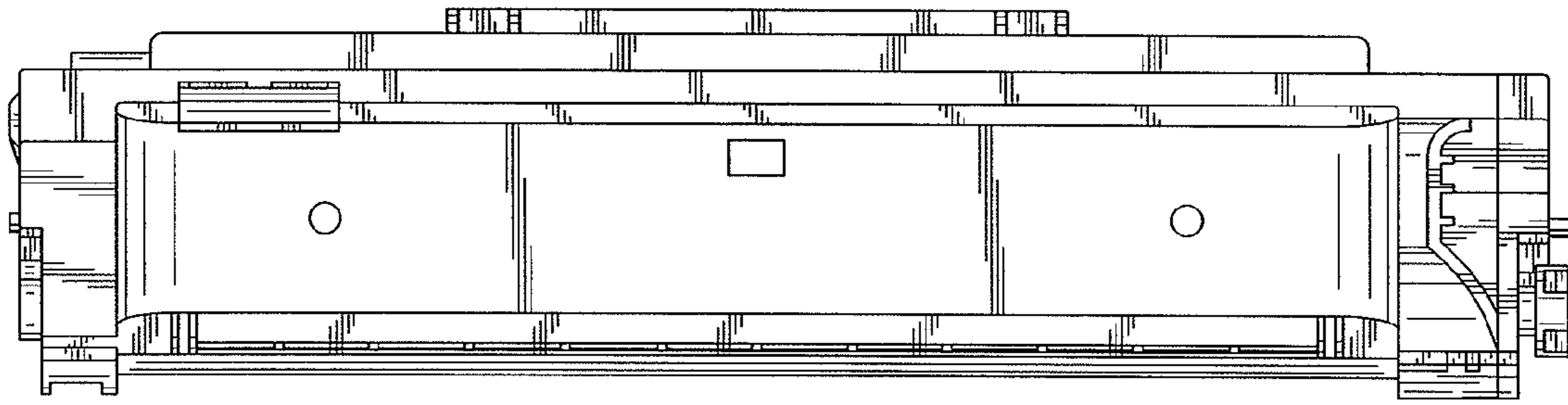


FIG. 2

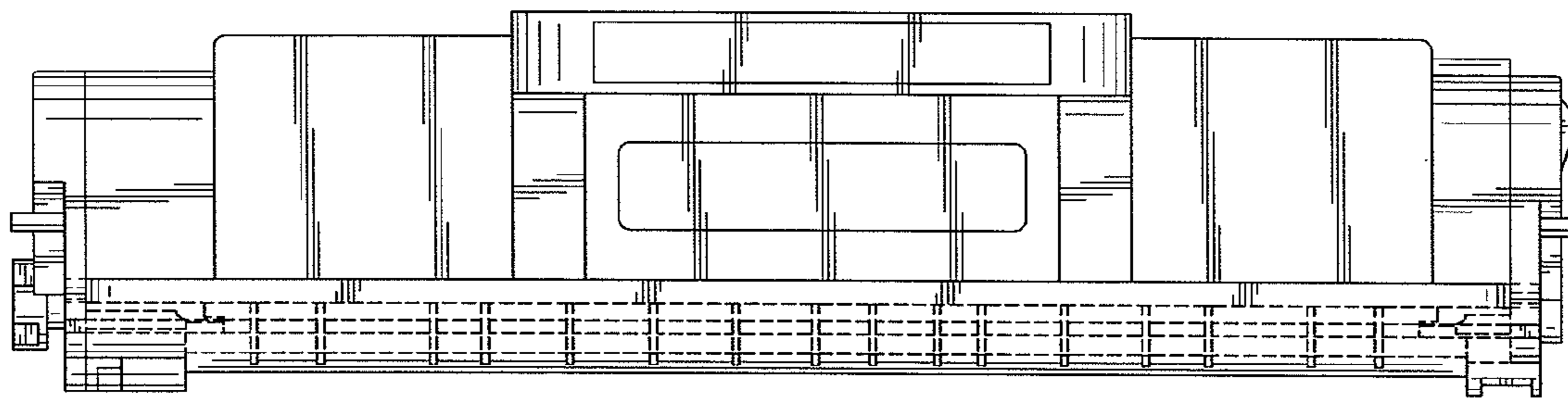


FIG. 3

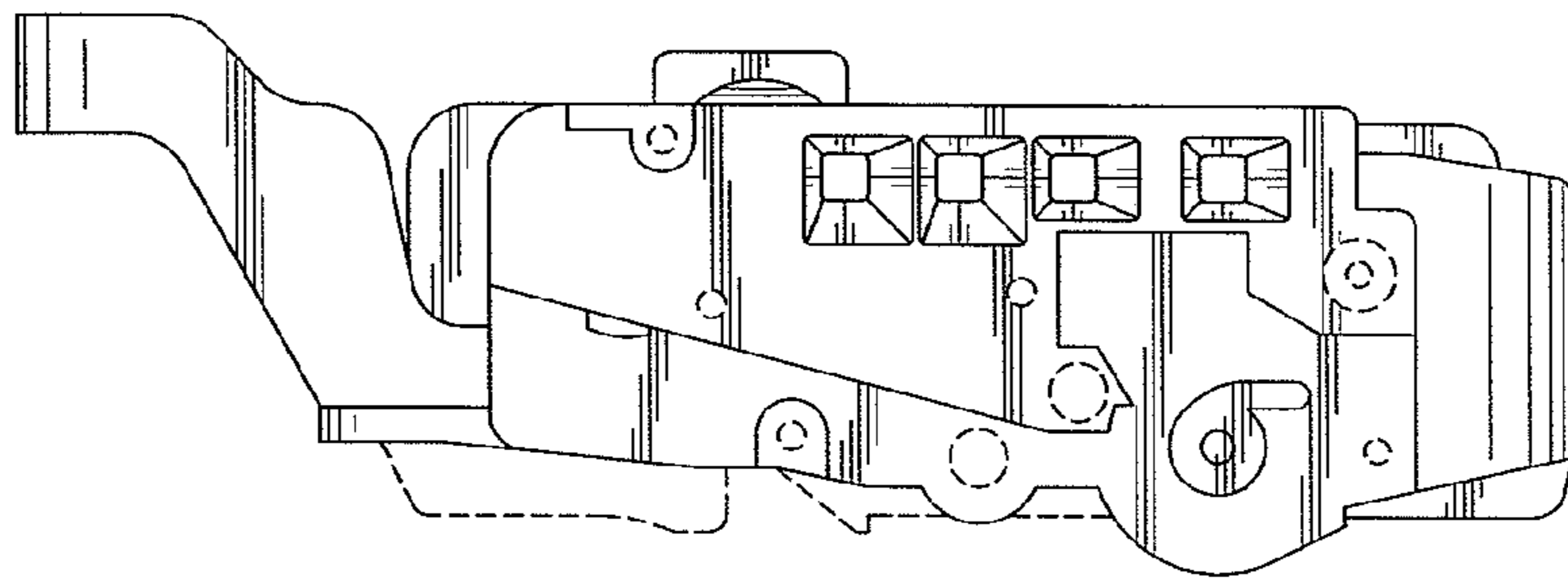


FIG. 4

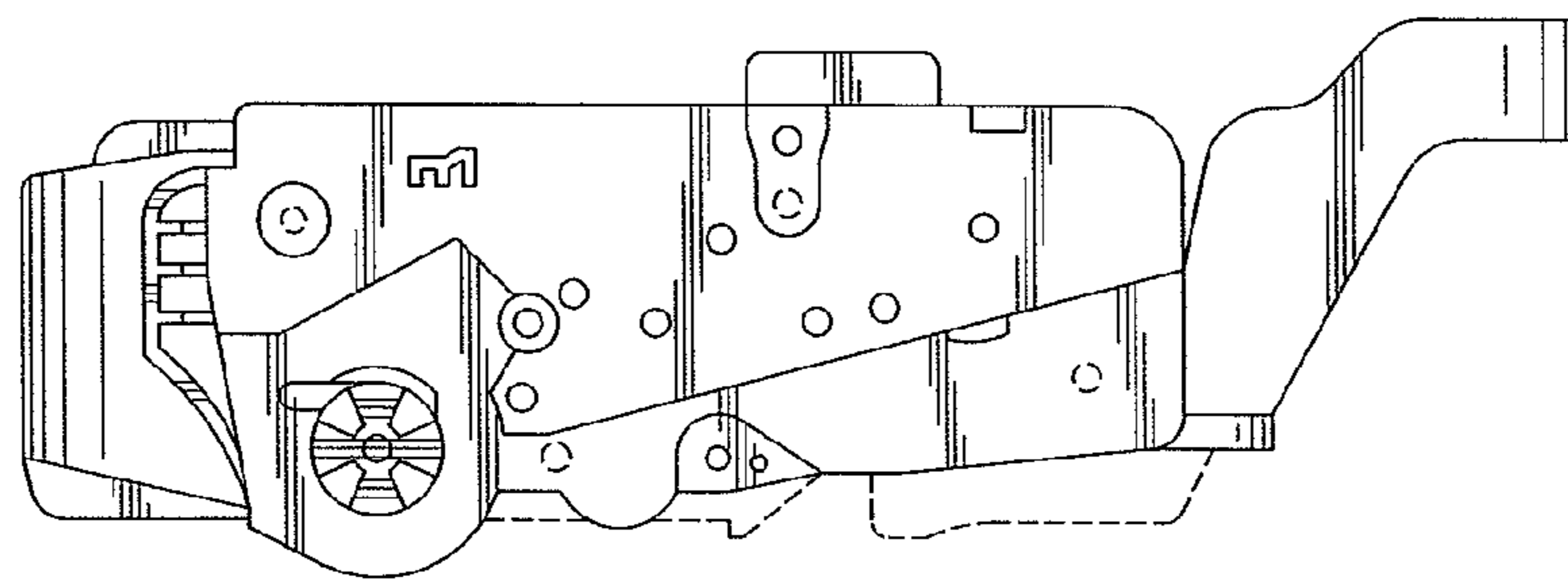


FIG. 5

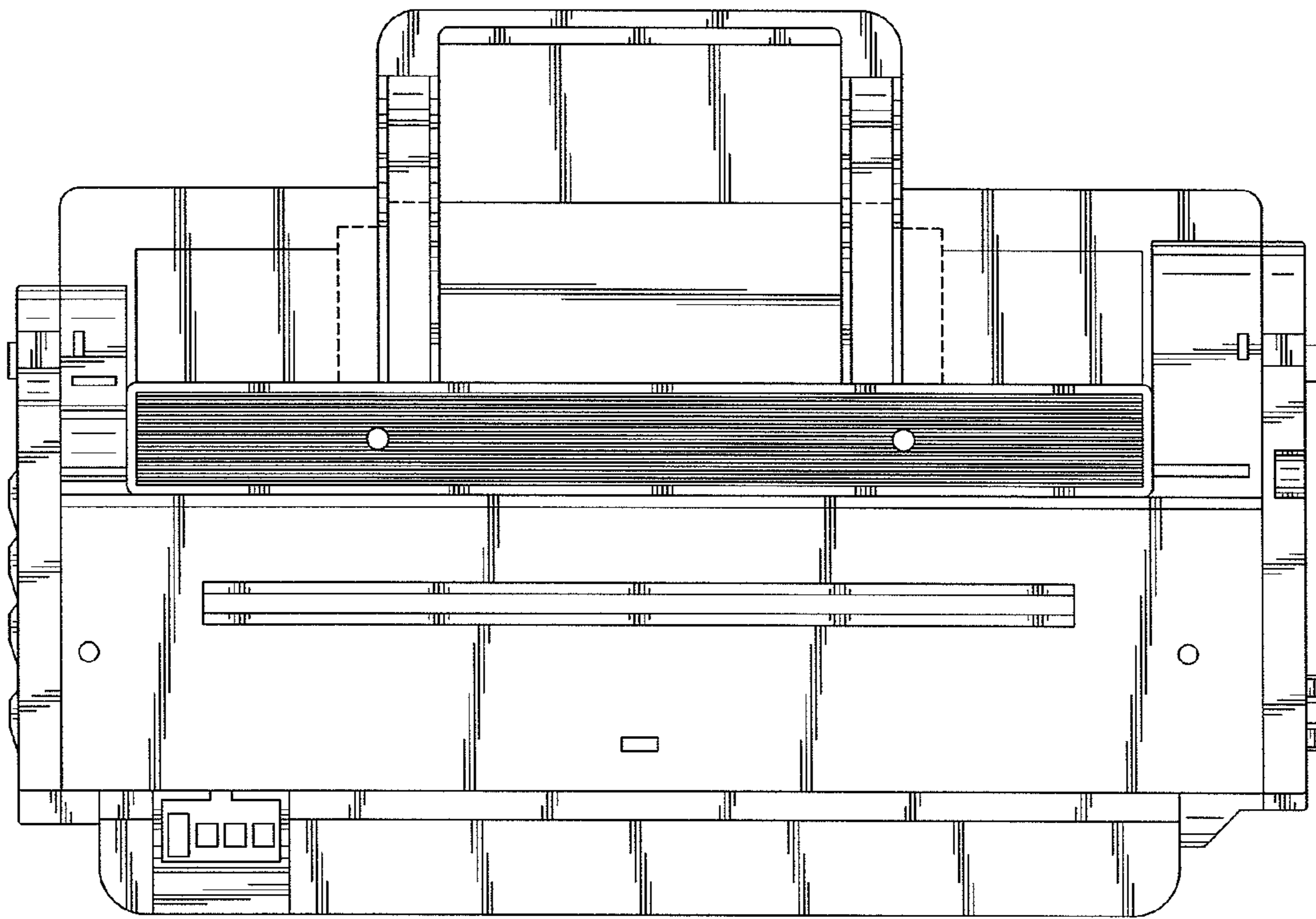


FIG. 6

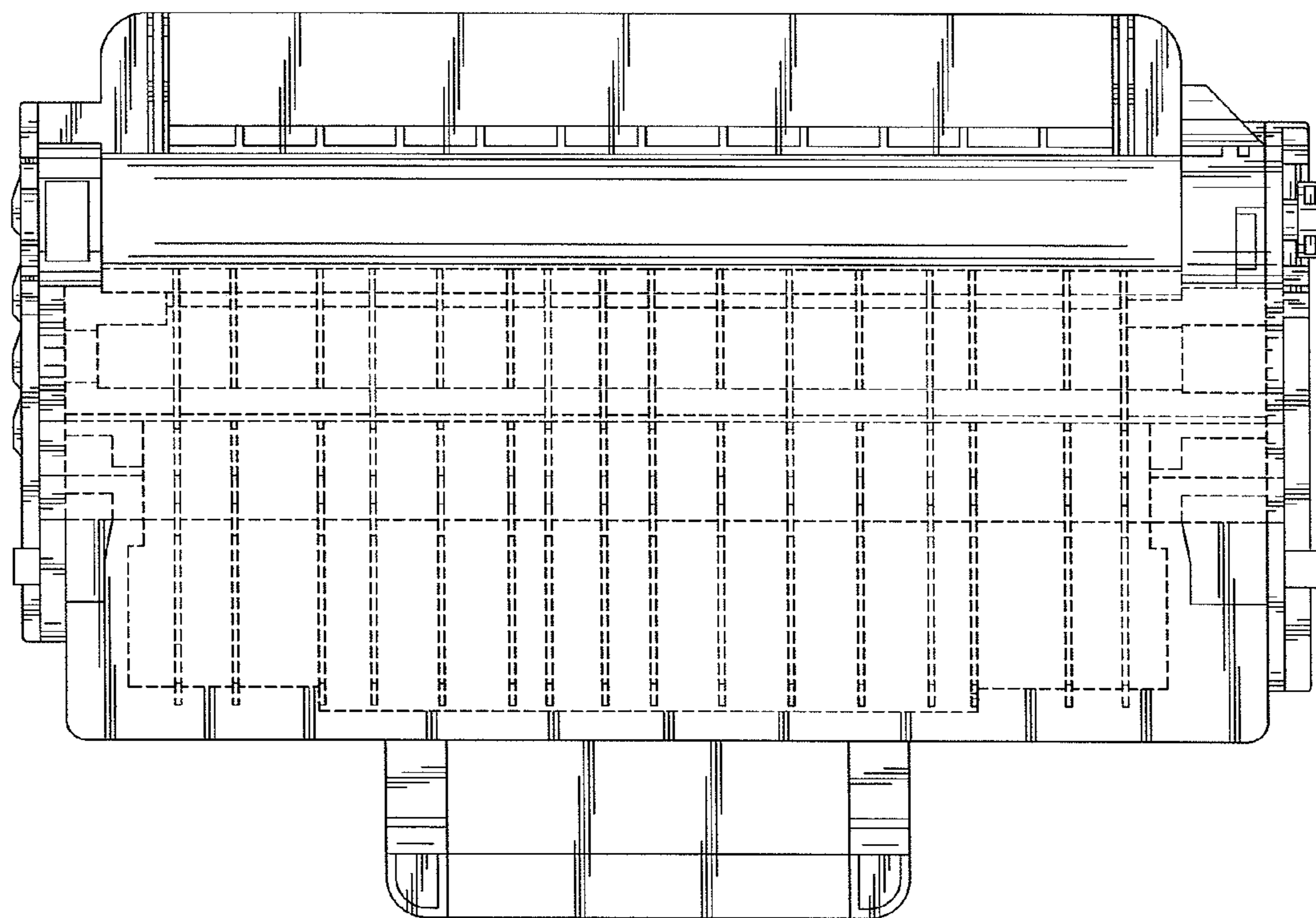


FIG. 7