



US00D650834S

(12) **United States Design Patent**
Brown et al.

(10) **Patent No.:** **US D650,834 S**

(45) **Date of Patent:** **** *Dec. 20, 2011**

(54) **MULTI-FUNCTION OFFICE MACHINE**

(75) Inventors: **Donald A Brown**, Honeoye Falls, NY
(US); **Hidetoshi Kimura**, Kanagawa
(JP)

(73) Assignee: **Xerox Corporation**, Norwalk, CT (US)

(*) Notice: This patent is subject to a terminal disclaimer.

(**) Term: **14 Years**

(21) Appl. No.: **29/327,349**

(22) Filed: **Nov. 4, 2008**

(51) **LOC (9) Cl.** **16-03**

(52) **U.S. Cl.** **D18/39**

(58) **Field of Classification Search** D18/36-41,
D18/44-56; 222/DIG. 1; 271/3.14, 8.1,
271/226, 278; 355/97, 98; 358/1.1; 399/1-7,
399/16, 75, 81, 107, 130, 155, 361, 365,
399/381-383, 388

See application file for complete search history.

(56) **References Cited**

U.S. PATENT DOCUMENTS

D431,592 S * 10/2000 Takenouchi et al. D18/39
D433,439 S * 11/2000 Yoshida et al. D18/36
D443,635 S * 6/2001 Ogawa et al. D18/39

D447,765 S * 9/2001 Hatanaka et al. D18/39
D486,851 S * 2/2004 Ohashi D18/39
D502,210 S * 2/2005 Katori et al. D18/39
D537,109 S * 2/2007 Mizusugi et al. D18/39
D577,763 S * 9/2008 Hidaka et al. D18/39
2005/0175371 A1* 8/2005 Kunugi 399/107

* cited by examiner

Primary Examiner — Garth Rademaker

(74) *Attorney, Agent, or Firm* — Tallam I. Nguti

(57) **CLAIM**

The ornamental design for a multi-function office machine, as shown and described.

DESCRIPTION

FIG. 1 is a perspective view of a multi-function office machine showing the ornamental design in accordance with the present invention;

FIG. 2 is a front view thereof;

FIG. 3 is a right side view thereof;

FIG. 4 is a rear view thereof;

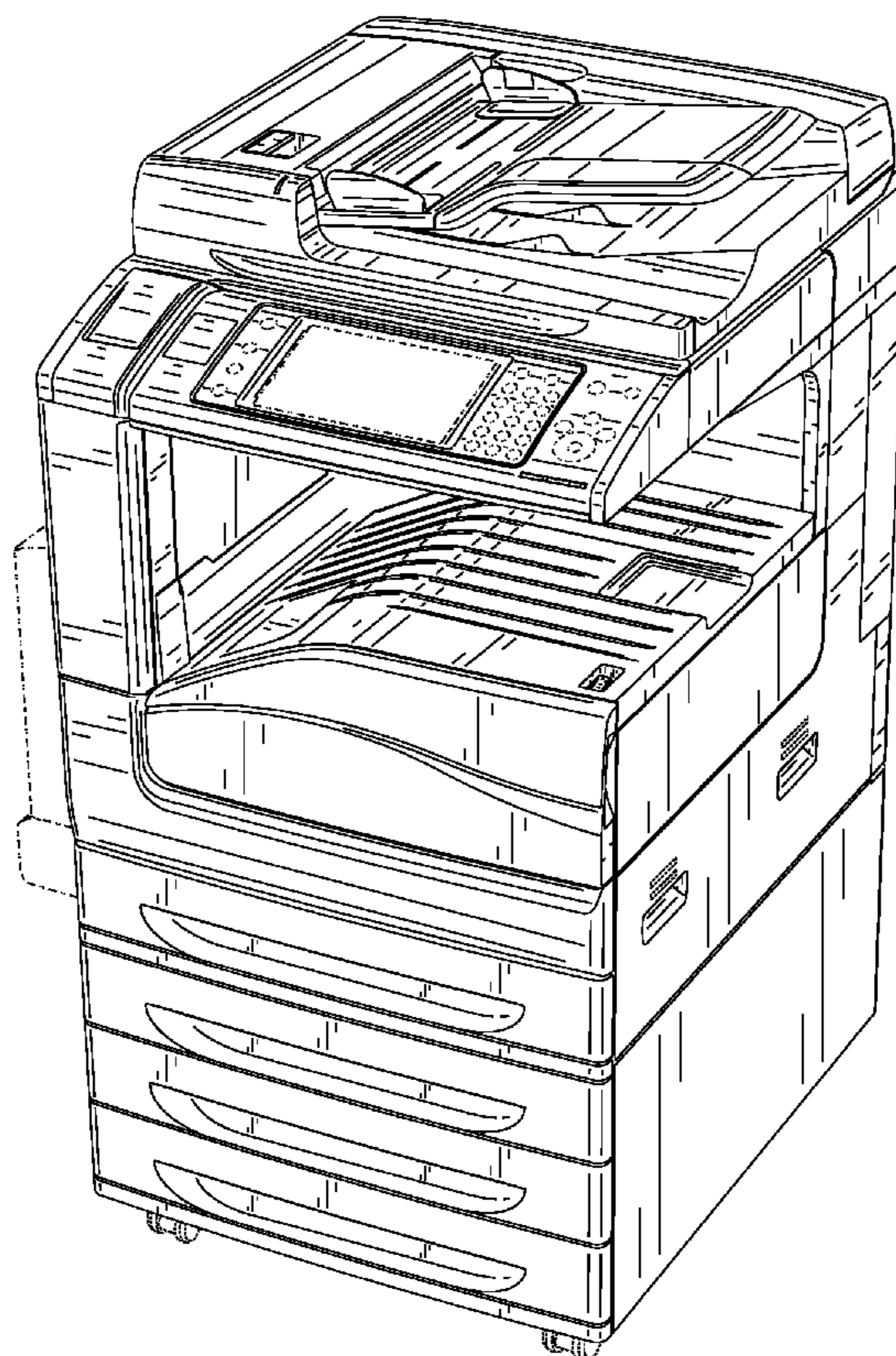
FIG. 5 is a left side view thereof;

FIG. 6 is a top plan view thereof; and,

FIG. 7 is a bottom plan view thereof.

The broken lines shown depict environmental subject matter only and form no part of the claimed design.

1 Claim, 7 Drawing Sheets



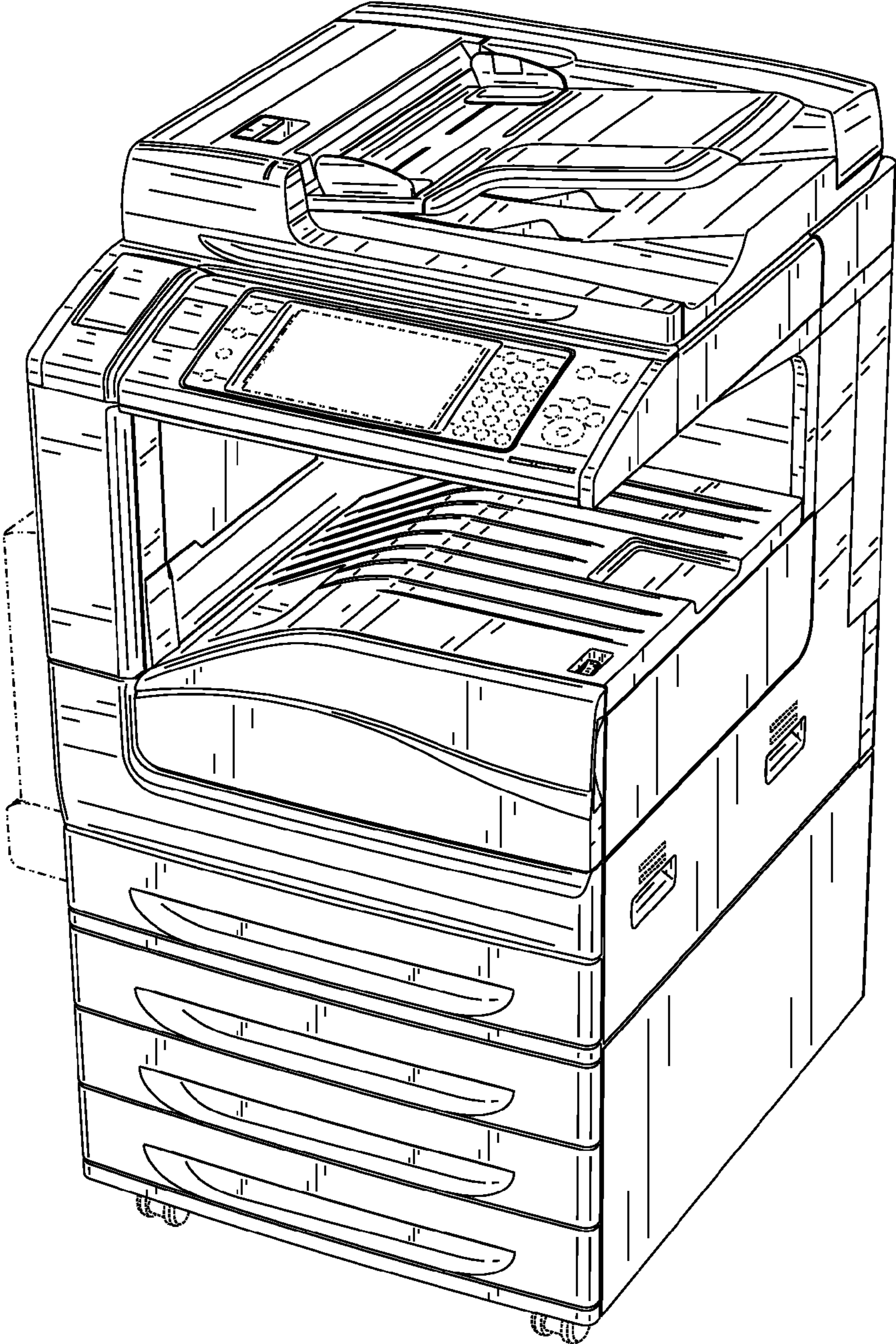


FIG. 1

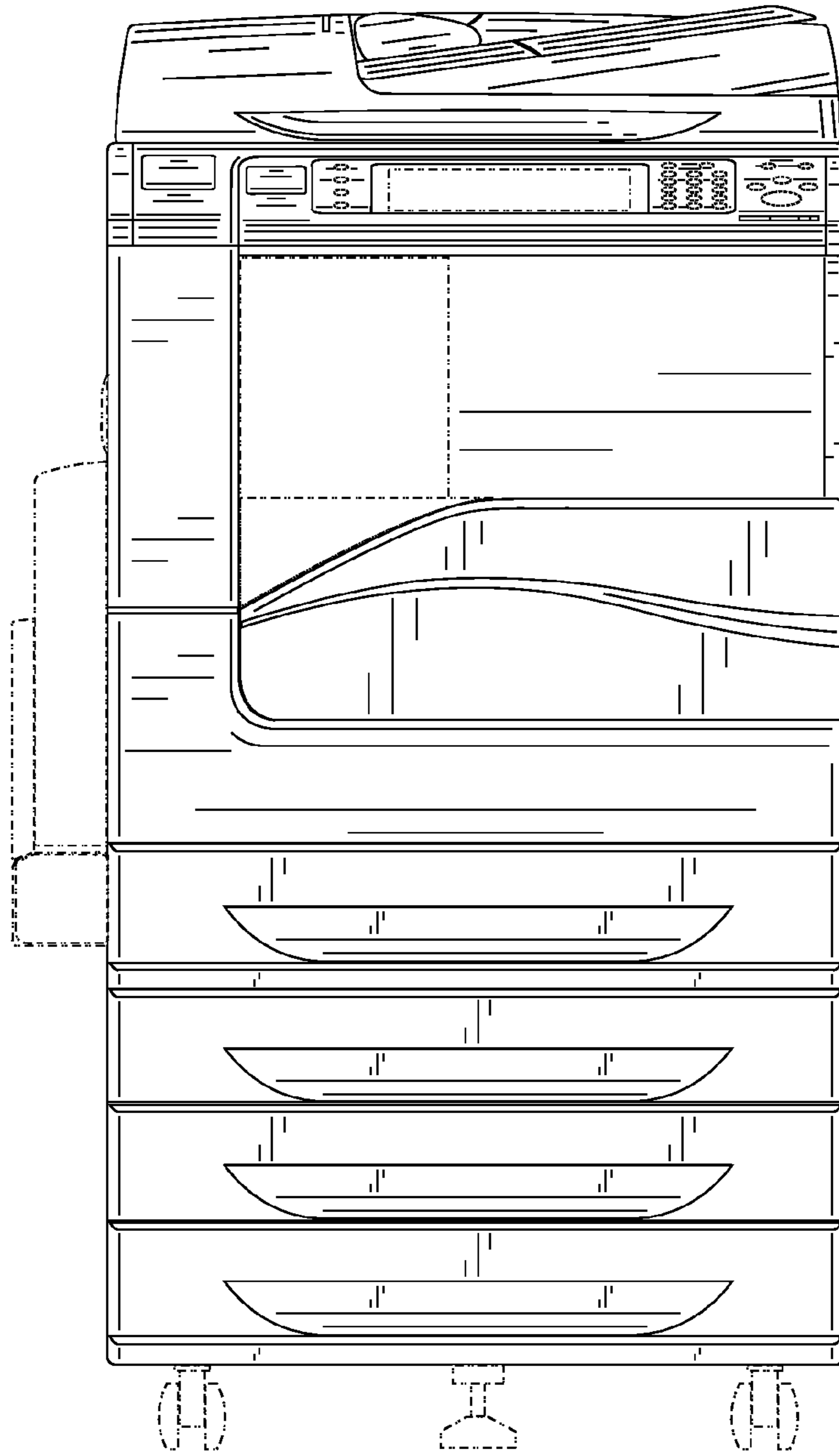


FIG. 2

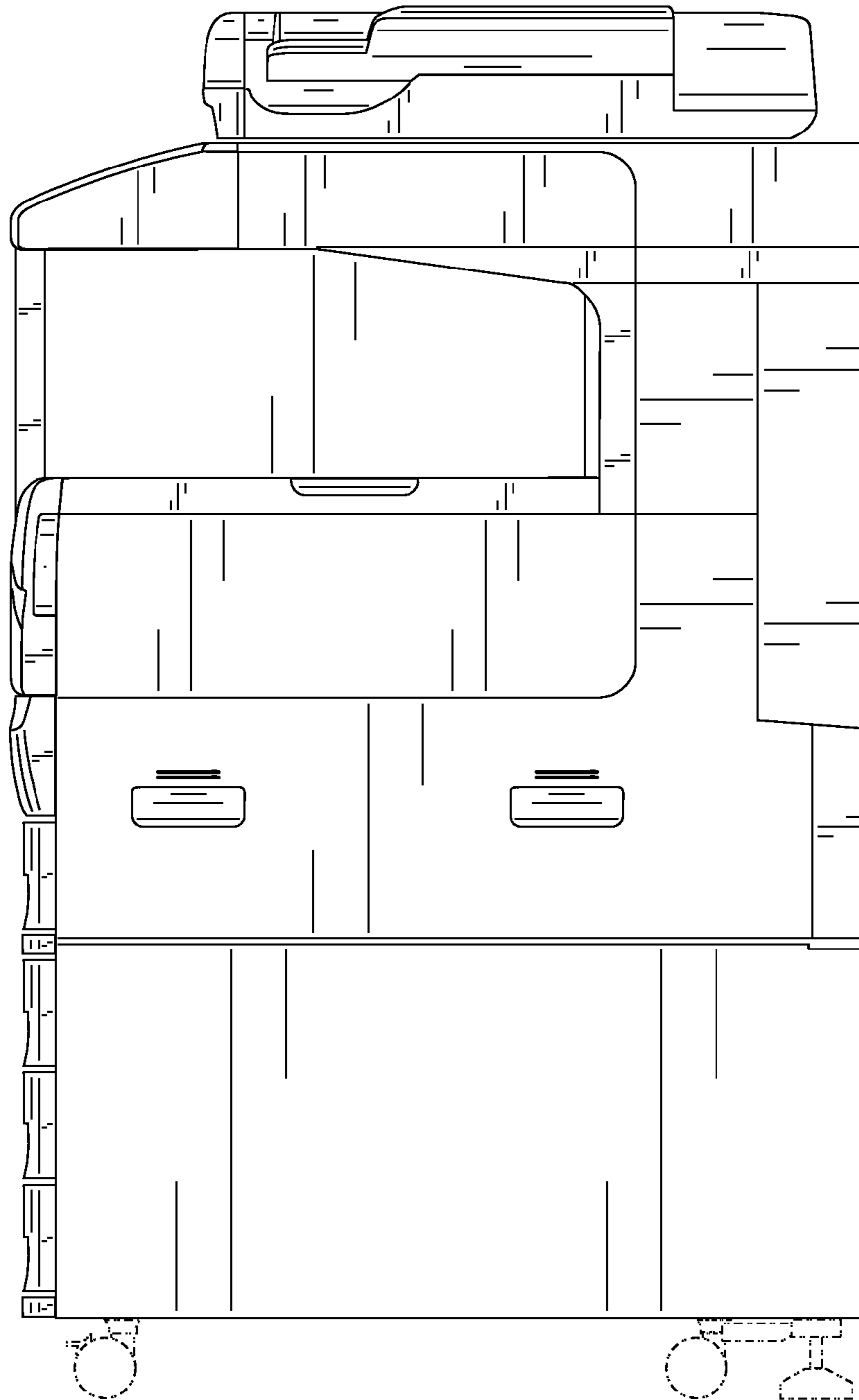


FIG. 3

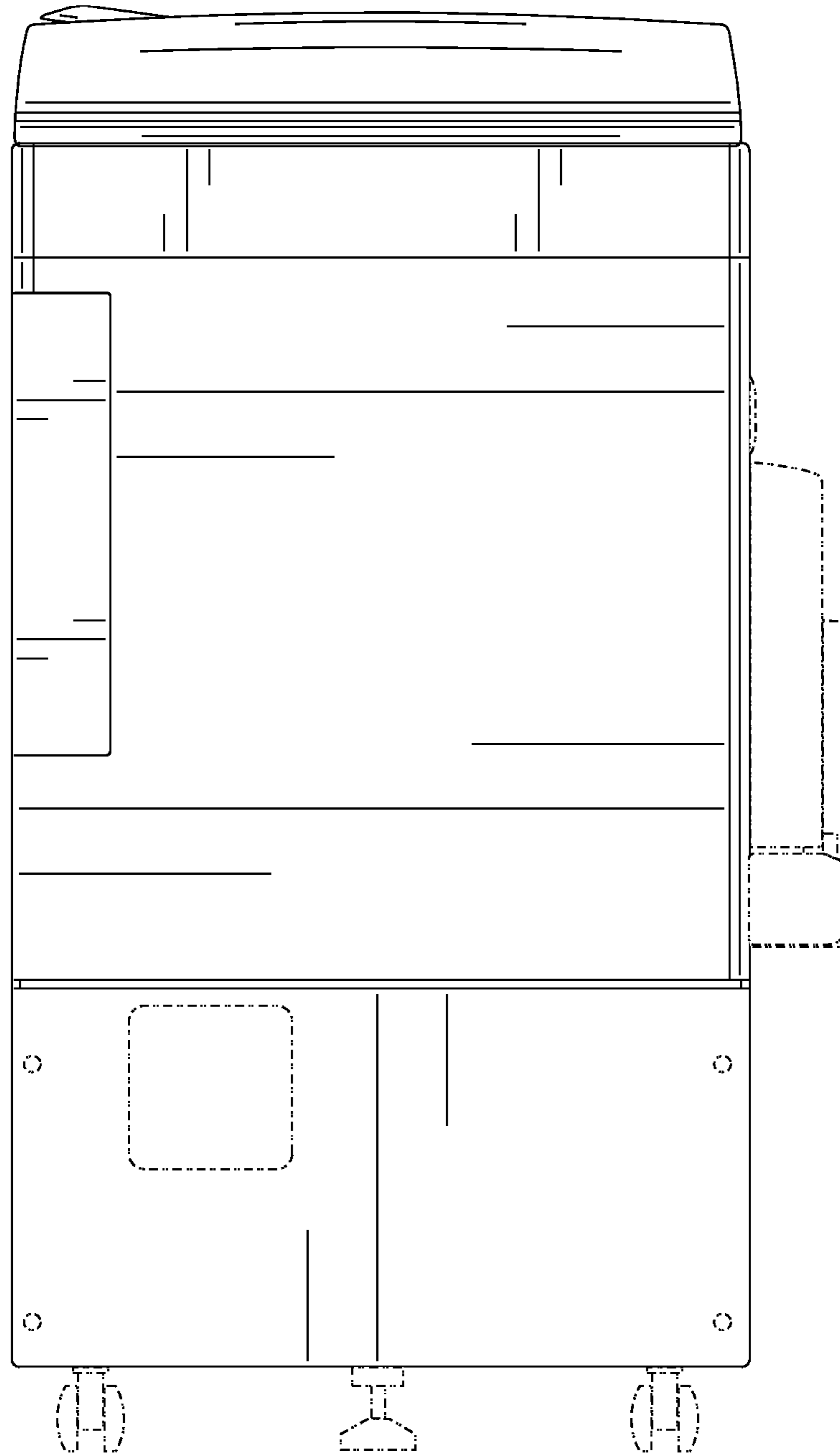


FIG. 4

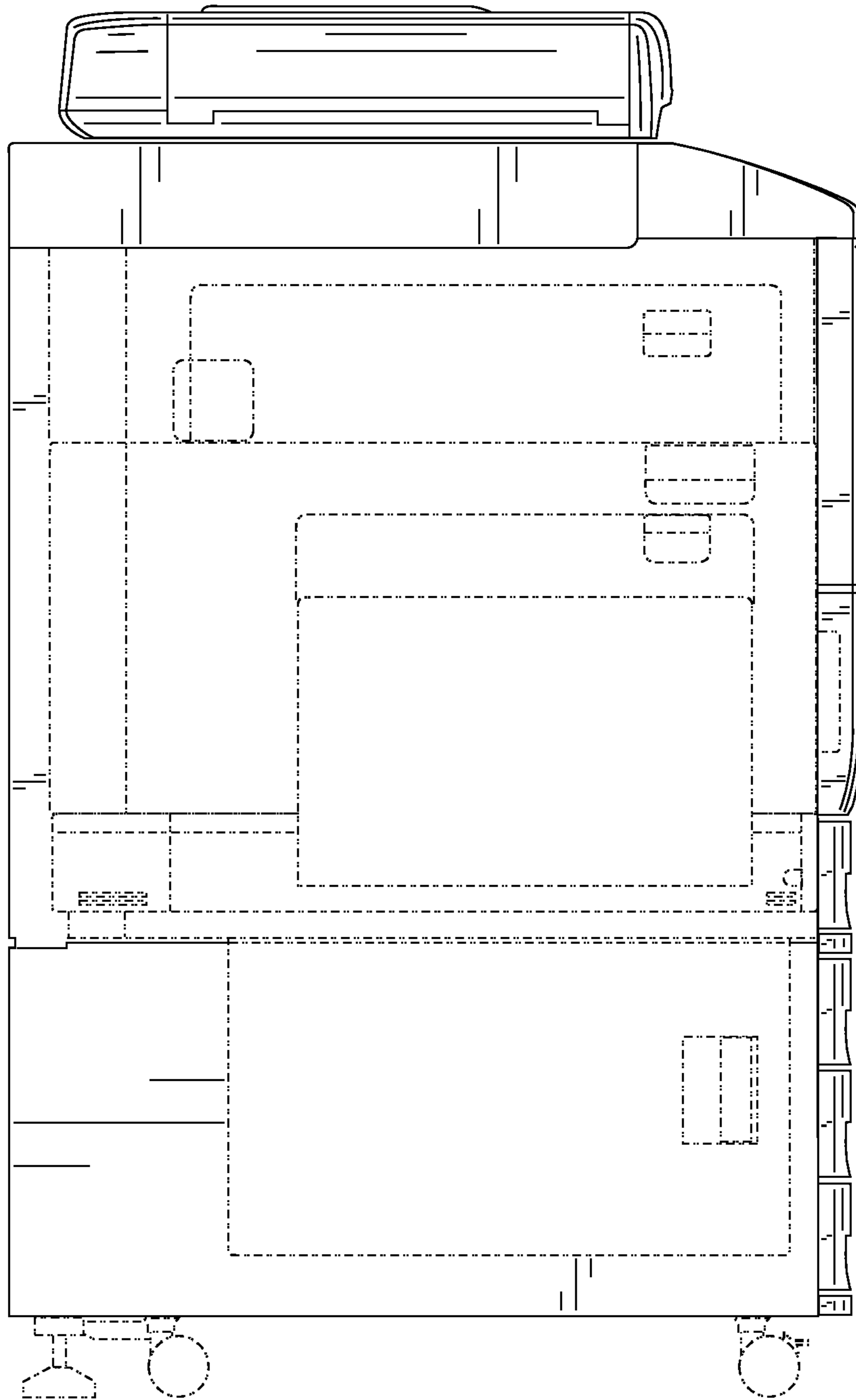


FIG. 5

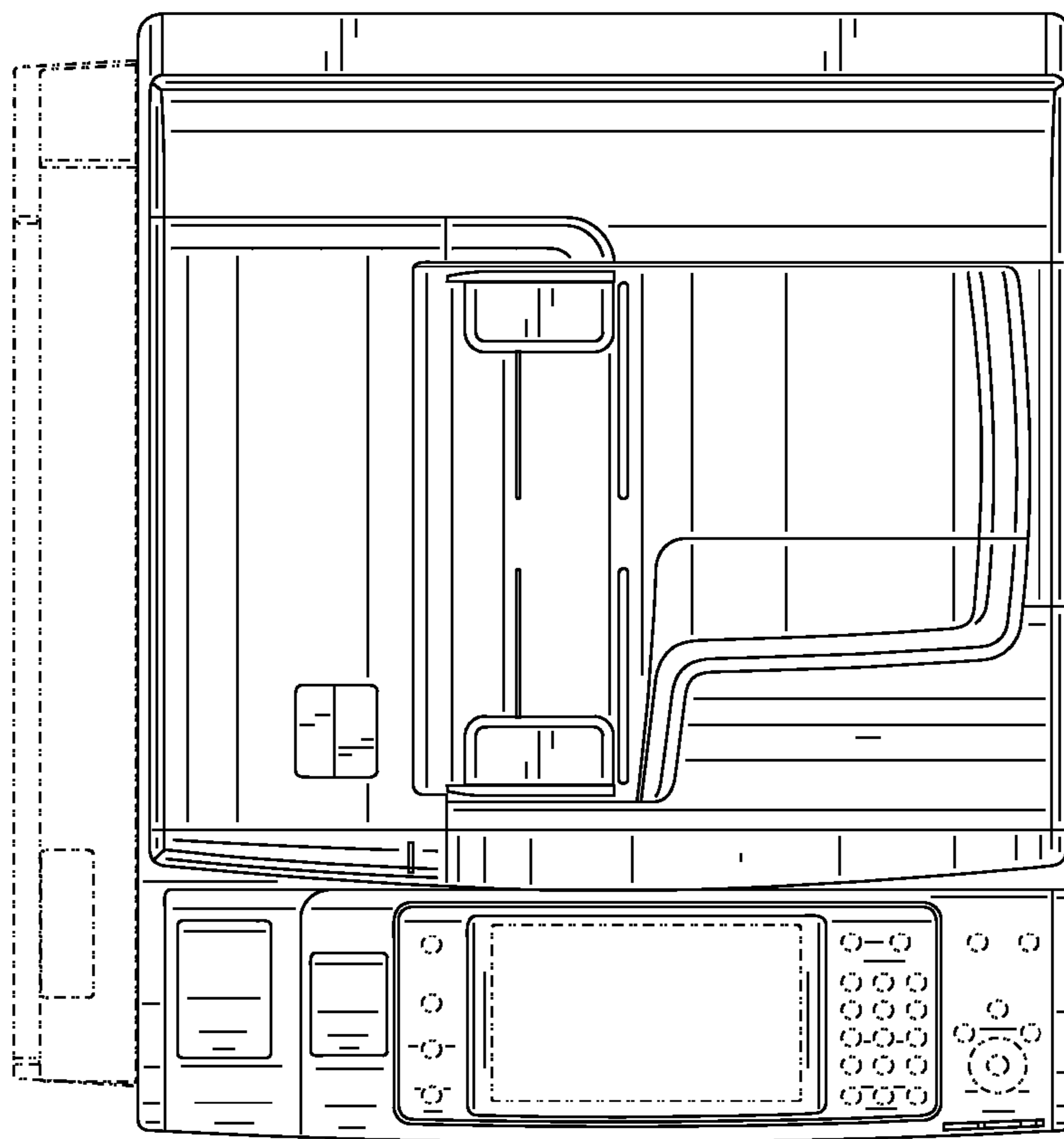


FIG. 6

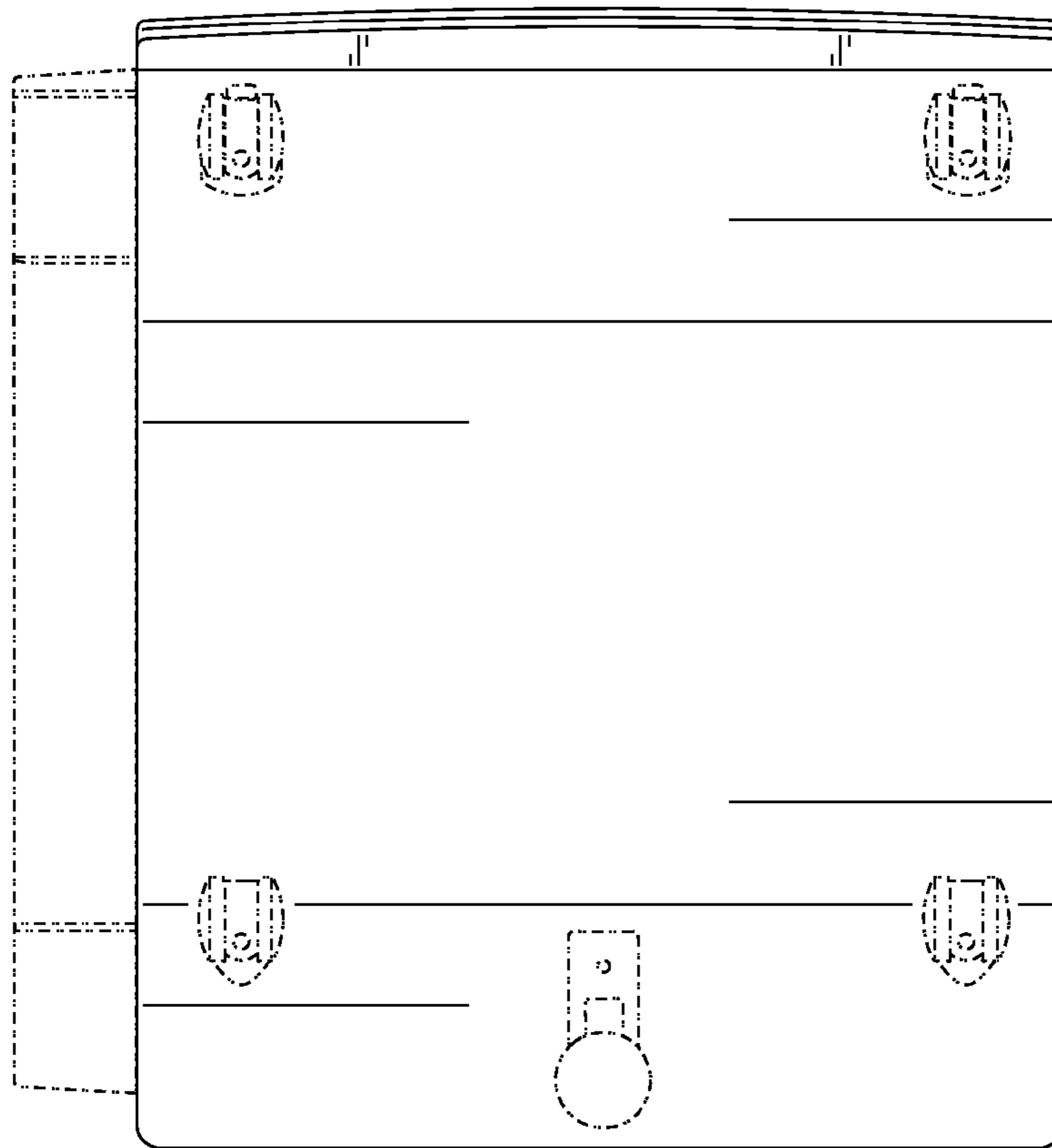


FIG. 7

UNITED STATES PATENT AND TRADEMARK OFFICE
CERTIFICATE OF CORRECTION

PATENT NO. : D650,834 S
APPLICATION NO. : 29/327349
DATED : December 20, 2011
INVENTOR(S) : Donald A. Brown et al.

Page 1 of 1

It is certified that error appears in the above-identified patent and that said Letters Patent is hereby corrected as shown below:

Title Page, Item (73) Assignee: delete "XEROX CORPORATION, NORWALK CT (US)" and
insert -- XEROX CORPORATION, NORWALK CT (US) and FUJI XEROX COMPANY, LTD.
Tokyo, Japan (JP) --.

Signed and Sealed this
Twenty-eighth Day of February, 2012

A handwritten signature in black ink that reads "David J. Kappos". The signature is written in a cursive, slightly slanted style.

David J. Kappos
Director of the United States Patent and Trademark Office