

US00D650823S

(12) **United States Design Patent**  
**Inui et al.**

(10) **Patent No.:** **US D650,823 S**  
(45) **Date of Patent:** **\*\* Dec. 20, 2011**

(54) **LAMP FOR PROJECTOR**

(75) Inventors: **Sinro Inui**, Hachioji (JP); **Hiroshi Ohshima**, Fujisawa (JP)

(73) Assignee: **Hitachi Consumer Electronics Co., Ltd.**, Tokyo (JP)

(\*\*) Term: **14 Years**

(21) Appl. No.: **29/375,487**

(22) Filed: **Sep. 23, 2010**

(30) **Foreign Application Priority Data**

Apr. 9, 2010 (JP) ..... 2010-009071

(51) **LOC (9) Cl.** ..... **16-02**

(52) **U.S. Cl.** ..... **D16/235**

(58) **Field of Classification Search** ..... D16/221,  
D16/225, 235; D26/1, 24, 28, 36; 352/198,  
352/203; 353/87, 97-98, 119, 61; 362/227,  
362/249.1, 249.01, 274, 241, 294, 234, 368,  
362/430, 362

See application file for complete search history.

(56) **References Cited**

**U.S. PATENT DOCUMENTS**

6,461,025 B1 \* 10/2002 Payne ..... 362/362  
7,104,654 B2 \* 9/2006 Tamaru et al. .... 353/119  
D558,252 S \* 12/2007 Matsumiya et al. .... D16/221  
D582,466 S \* 12/2008 Nakano ..... D16/235  
D583,849 S \* 12/2008 Uchida ..... D16/235

7,503,662 B2 \* 3/2009 Terashima et al. .... 353/119  
D591,322 S \* 4/2009 Nagumo ..... D16/235  
D605,684 S \* 12/2009 Takizawa ..... D16/235  
7,677,778 B2 \* 3/2010 Suzuki ..... 362/362  
D630,237 S \* 1/2011 Inui et al. .... D16/235  
D630,667 S \* 1/2011 Inui et al. .... D16/235  
2006/0227304 A1 \* 10/2006 Kang et al. .... 353/119  
2009/0225282 A1 \* 9/2009 Matsumiya et al. .... 362/362

\* cited by examiner

*Primary Examiner* — Wan Laymon

(74) *Attorney, Agent, or Firm* — Antonelli, Terry, Stout & Kraus, LLP.

(57) **CLAIM**

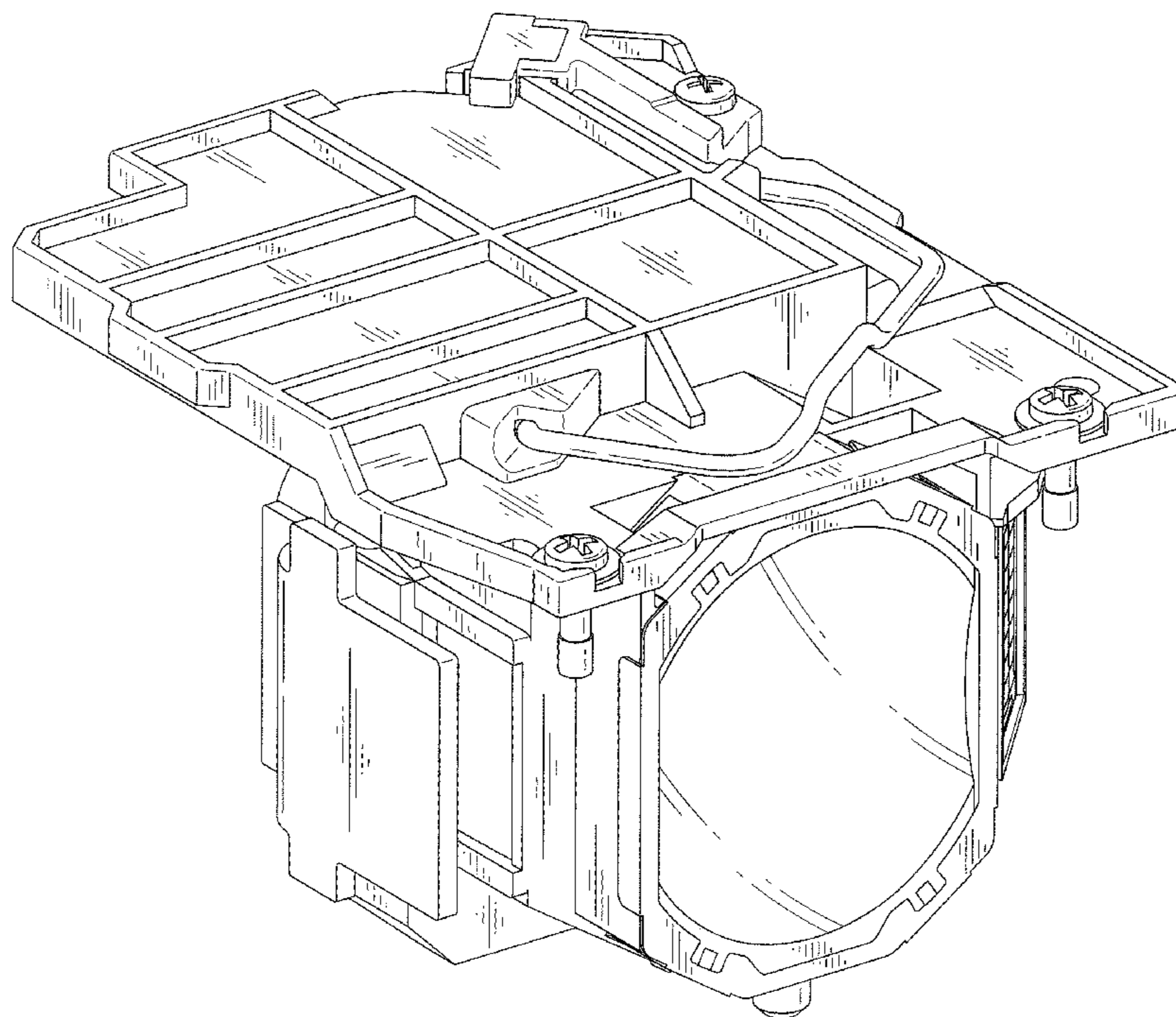
We claim the ornamental design for a lamp for projector, as shown.

**DESCRIPTION**

FIG. 1 is a front, top and left side perspective view of a lamp for projector showing our new design;  
FIG. 2 is a front elevational view thereof;  
FIG. 3 is a reduced rear elevational view thereof;  
FIG. 4 is a top plan view thereof;  
FIG. 5 is a reduced bottom plan view thereof;  
FIG. 6 is a left side elevational view thereof; and,  
FIG. 7 is a reduced right side elevational view thereof.

The broken lines showing portions of a lamp for projector are included for the purpose of illustrating environmental structure and form no part of the claimed design.

**1 Claim, 7 Drawing Sheets**



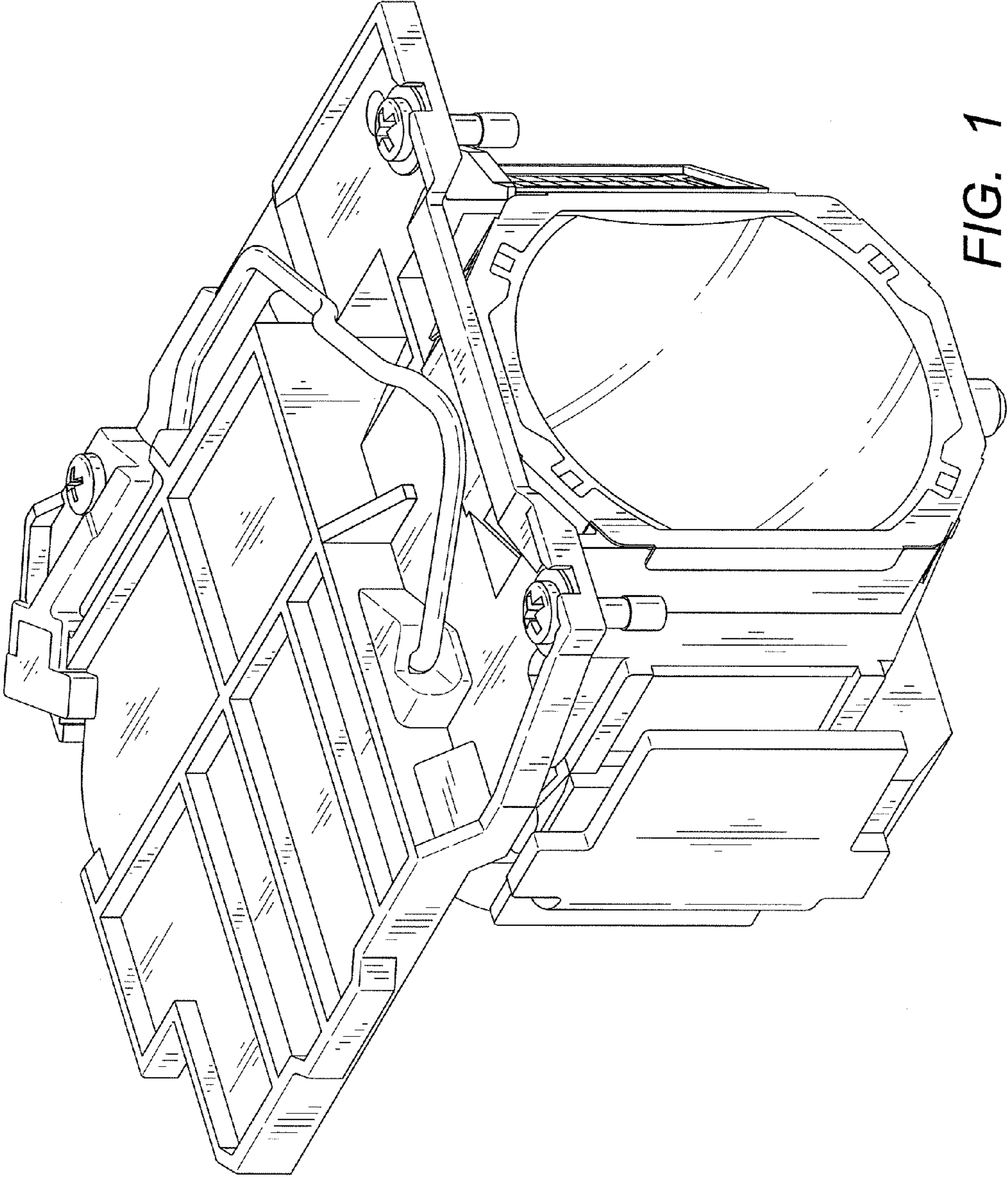
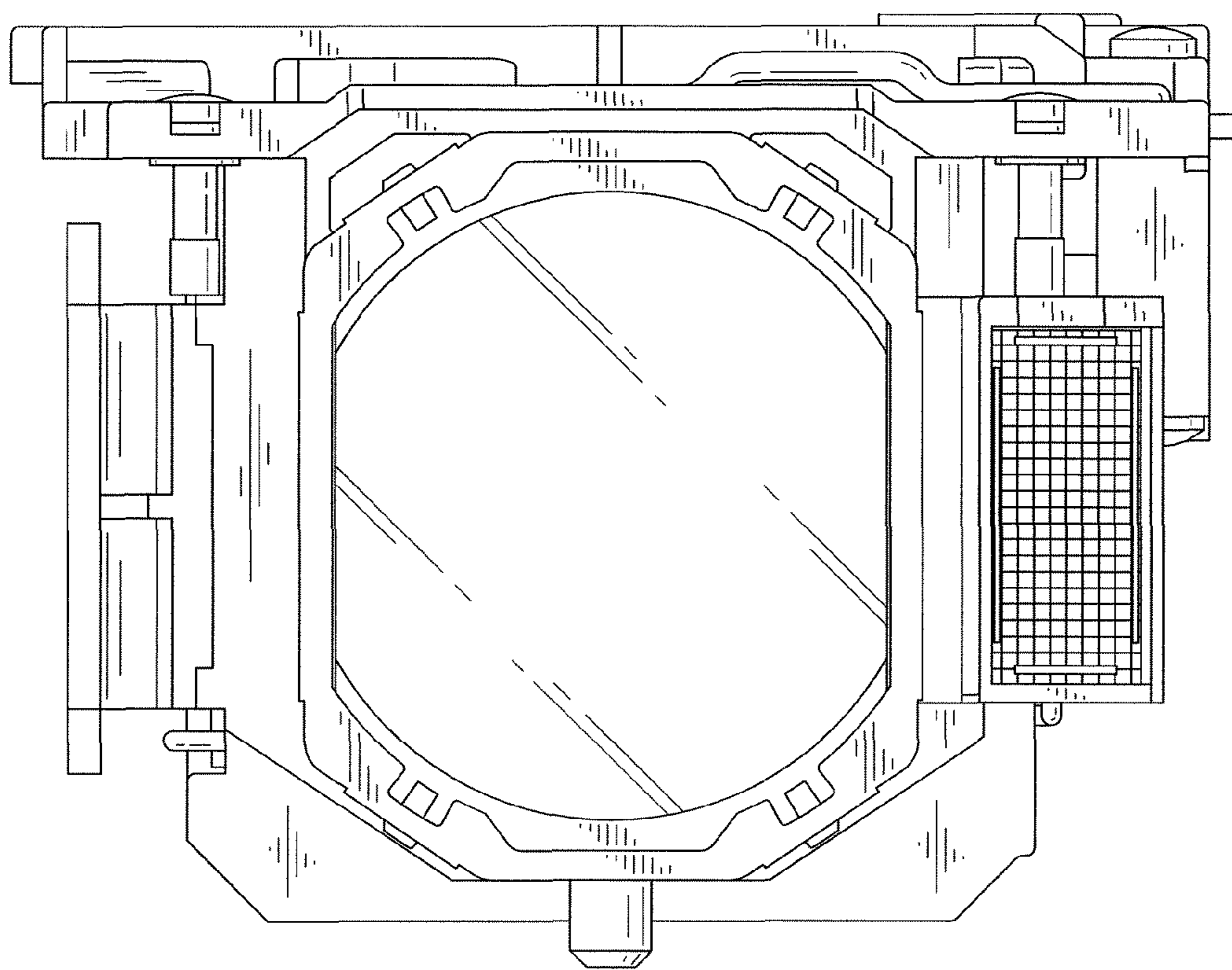
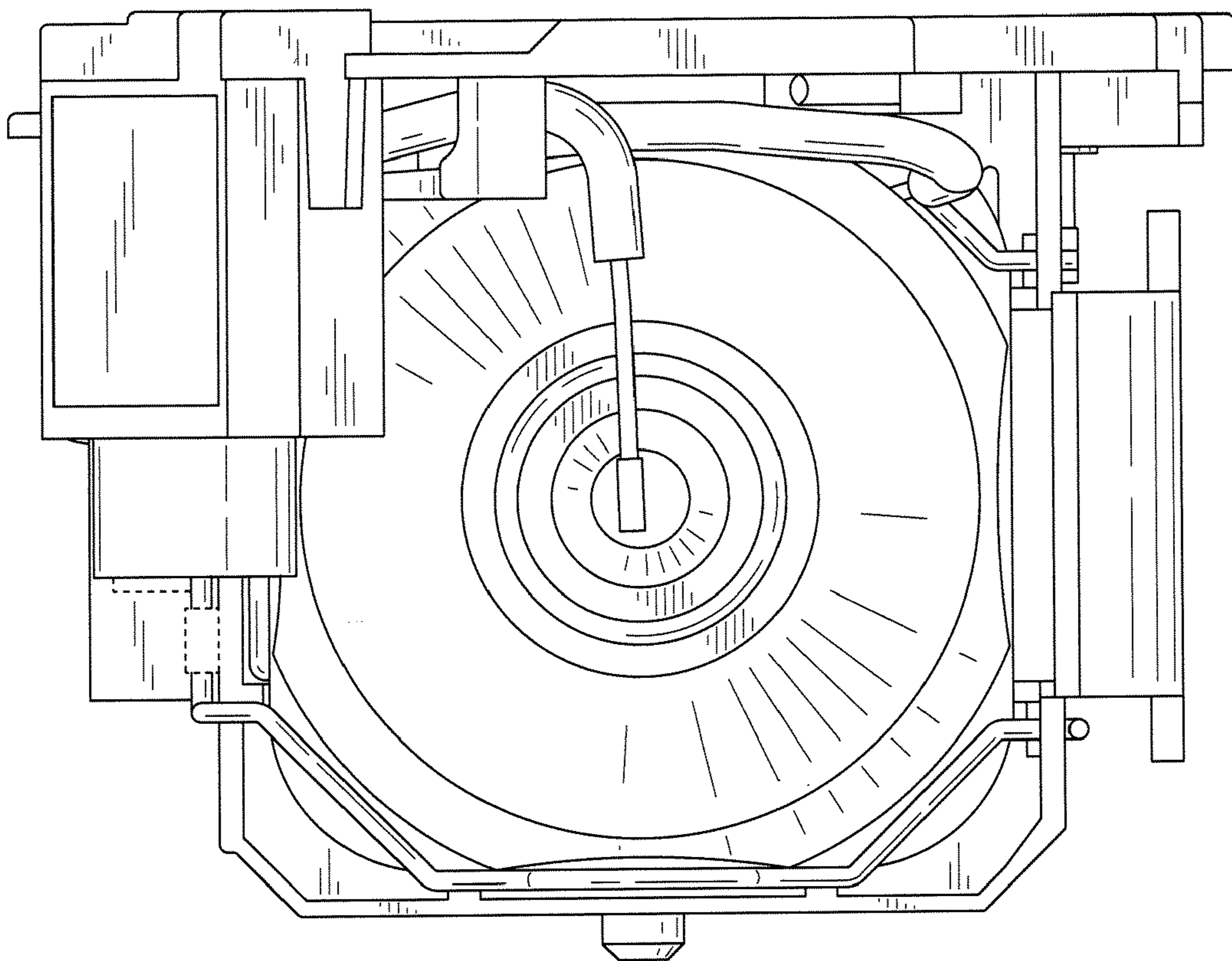


FIG. 1



*FIG. 2*





**FIG. 3**

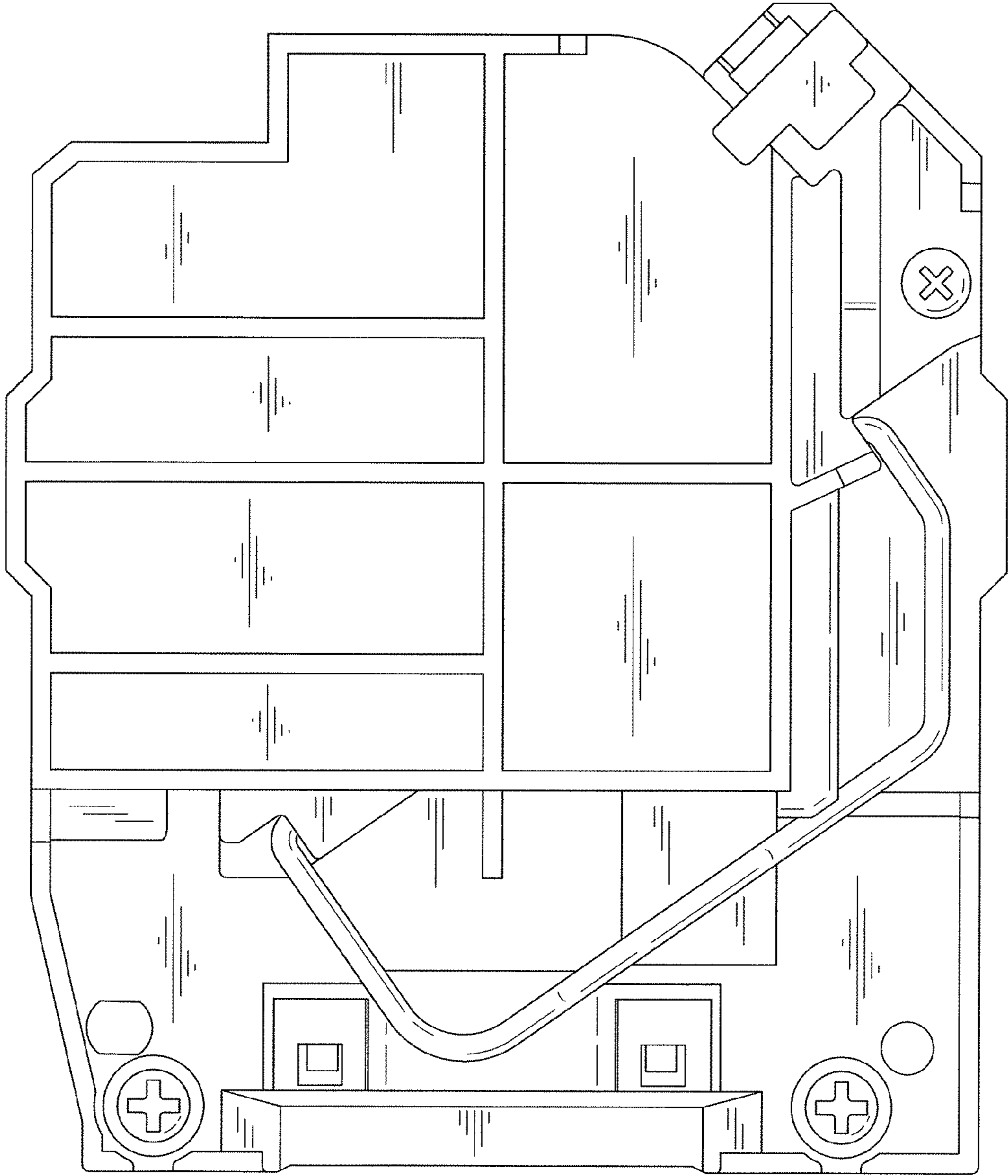


FIG. 4

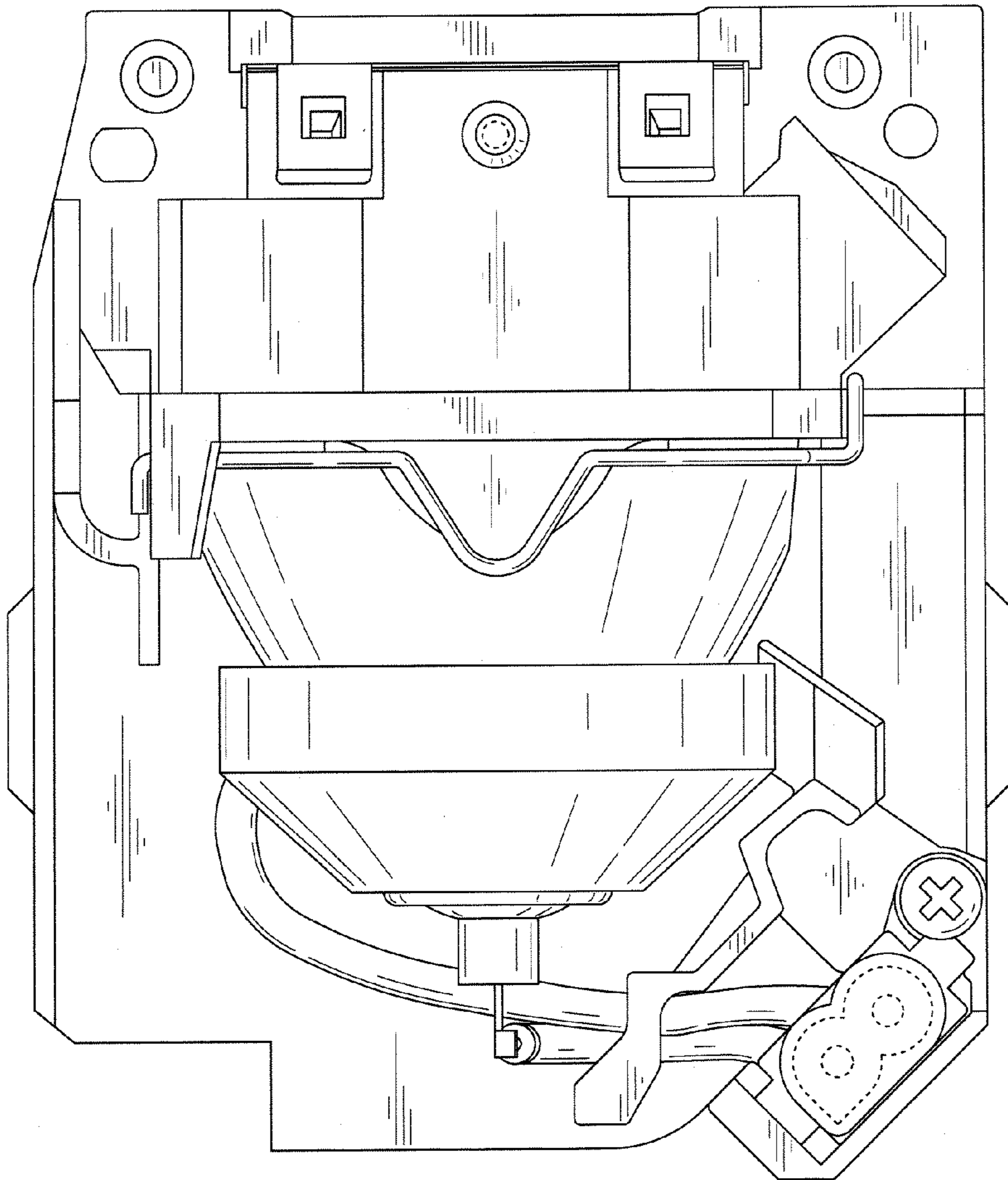


FIG. 5

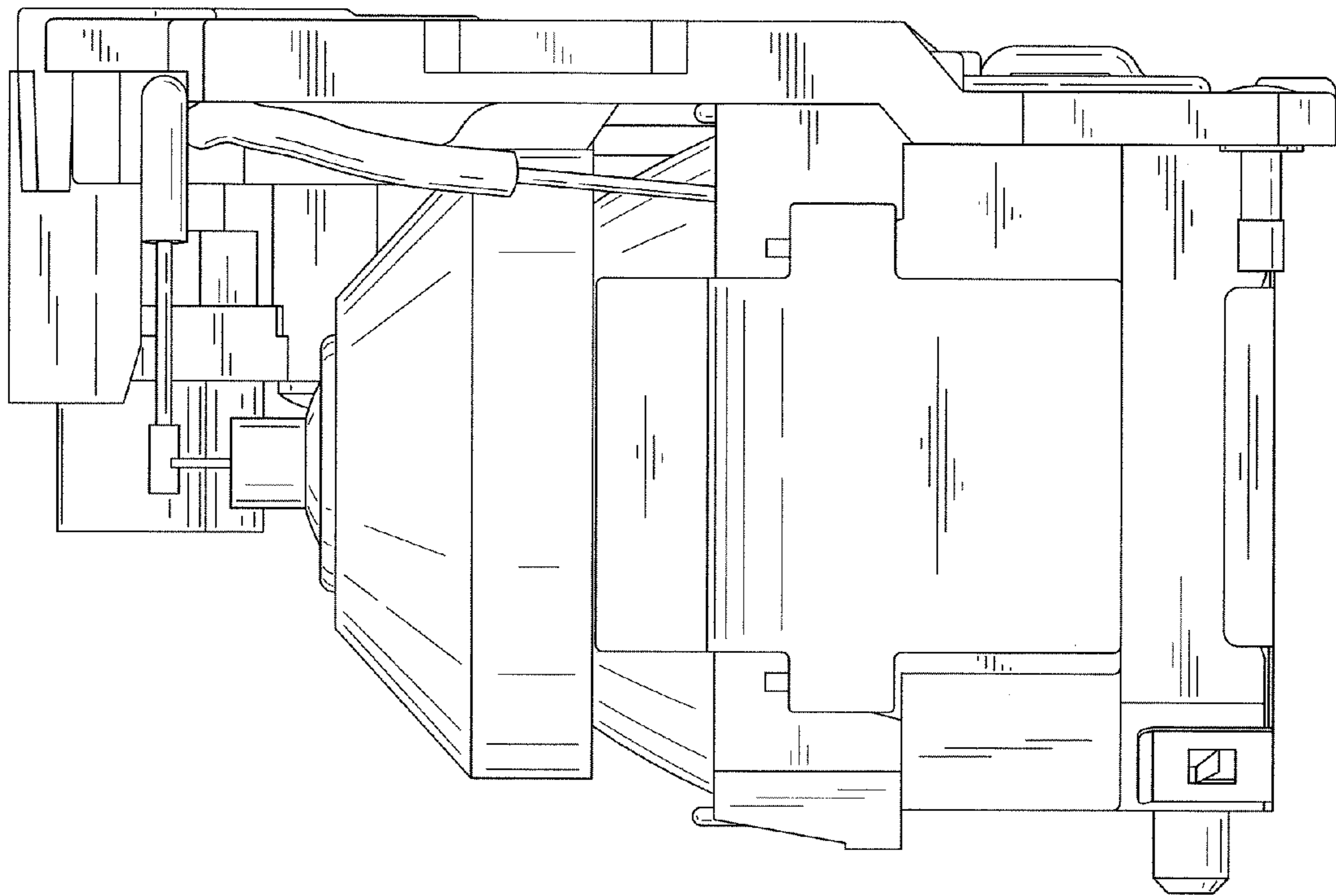


FIG. 6

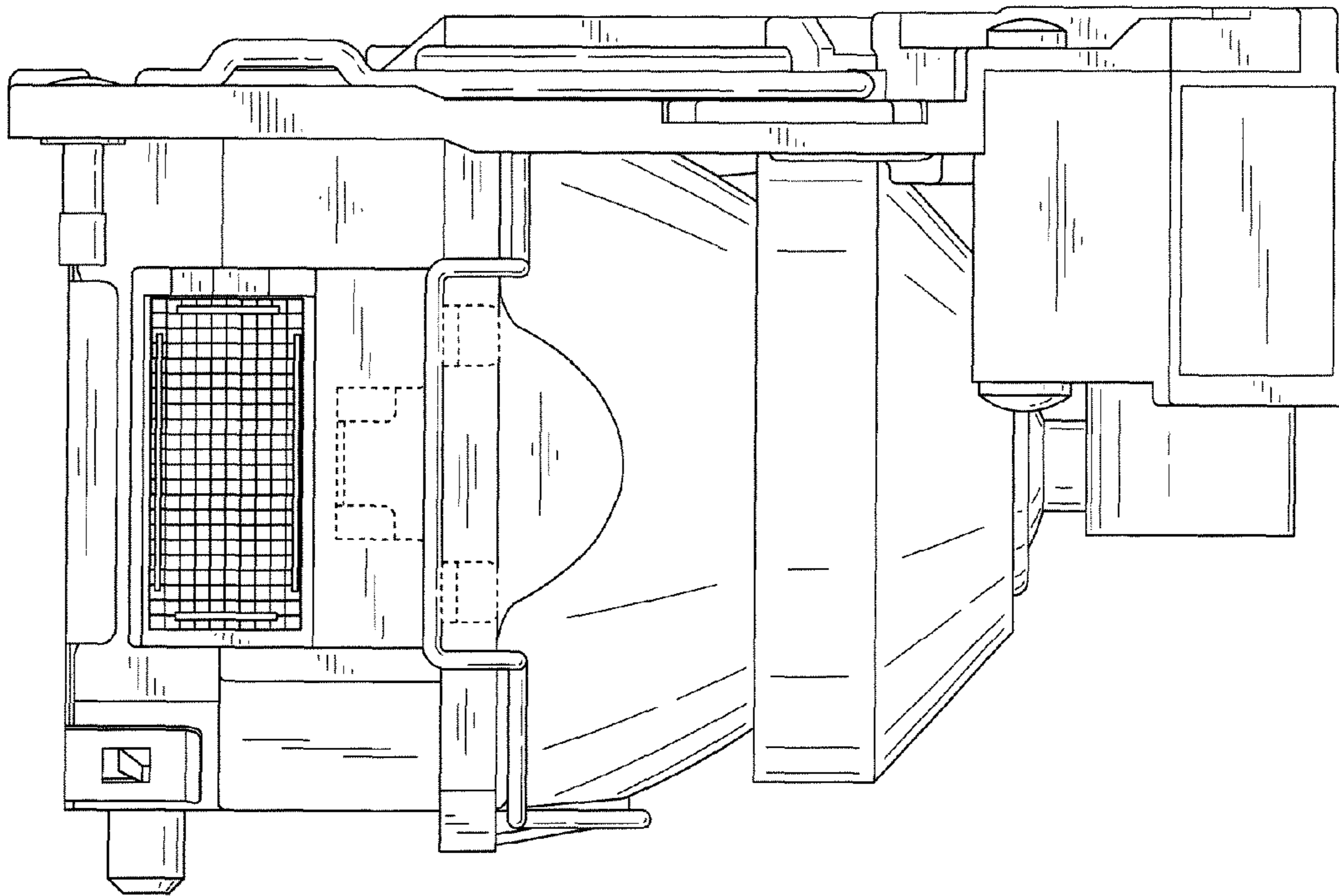


FIG. 7