



US00D650822S

(12) **United States Design Patent**
Iwama et al.

(10) **Patent No.:** **US D650,822 S**

(45) **Date of Patent:** **** Dec. 20, 2011**

(54) **IMAGE DISPLAY WITH PROJECTOR**

(75) Inventors: **Yoshihiro Iwama**, Kokubunji (JP);
Atsushi Ishibashi, Tokorozawa (JP);
Yuta Kawaguchi, Funabashi (JP); **Koji Hirata**, Yokohama (JP); **Toshihiko Matsuzawa**, Kamakura (JP); **Tadashi Sato**, Fujisawa (JP)

(73) Assignee: **Hitachi Consumer Electronics Co., Ltd.**, Tokyo (JP)

(**) Term: **14 Years**

(21) Appl. No.: **29/375,488**

(22) Filed: **Sep. 23, 2010**

(30) **Foreign Application Priority Data**

Jun. 3, 2010 (JP) 2010-013706

(51) **LOC (9) Cl.** **16-02**

(52) **U.S. Cl.** **D16/221**; D14/375

(58) **Field of Classification Search** D16/221,
D16/225, 241, 231, 234; D14/126-128,
D14/134, 371, 133, 375; 248/917-920; 348/744,
348/836, 838, 739, 180, 184; 353/46, 79,
353/115, 119, 122; 359/456, 460-461, 449,
359/453; D20/10, 19; D21/329, 515
See application file for complete search history.

(56) **References Cited**

U.S. PATENT DOCUMENTS

D228,807 S * 10/1973 Cinque D16/225
D434,738 S * 12/2000 Takemasa D14/133
D513,255 S * 12/2005 Huang et al. D14/375

D517,549 S * 3/2006 Depay D14/375
D540,797 S * 4/2007 Chen et al. D14/375
D541,277 S * 4/2007 Noda et al. D14/375
D550,222 S * 9/2007 Park D14/375
D558,200 S * 12/2007 Tsai D14/375
D578,530 S * 10/2008 Hasegawa et al. D14/375
D597,042 S * 7/2009 Hasegawa et al. D14/126
2004/0113031 A1 * 6/2004 Sung 248/917

* cited by examiner

Primary Examiner — Wan Laymon

(74) *Attorney, Agent, or Firm* — Antonelli, Terry, Stout & Kraus, LLP.

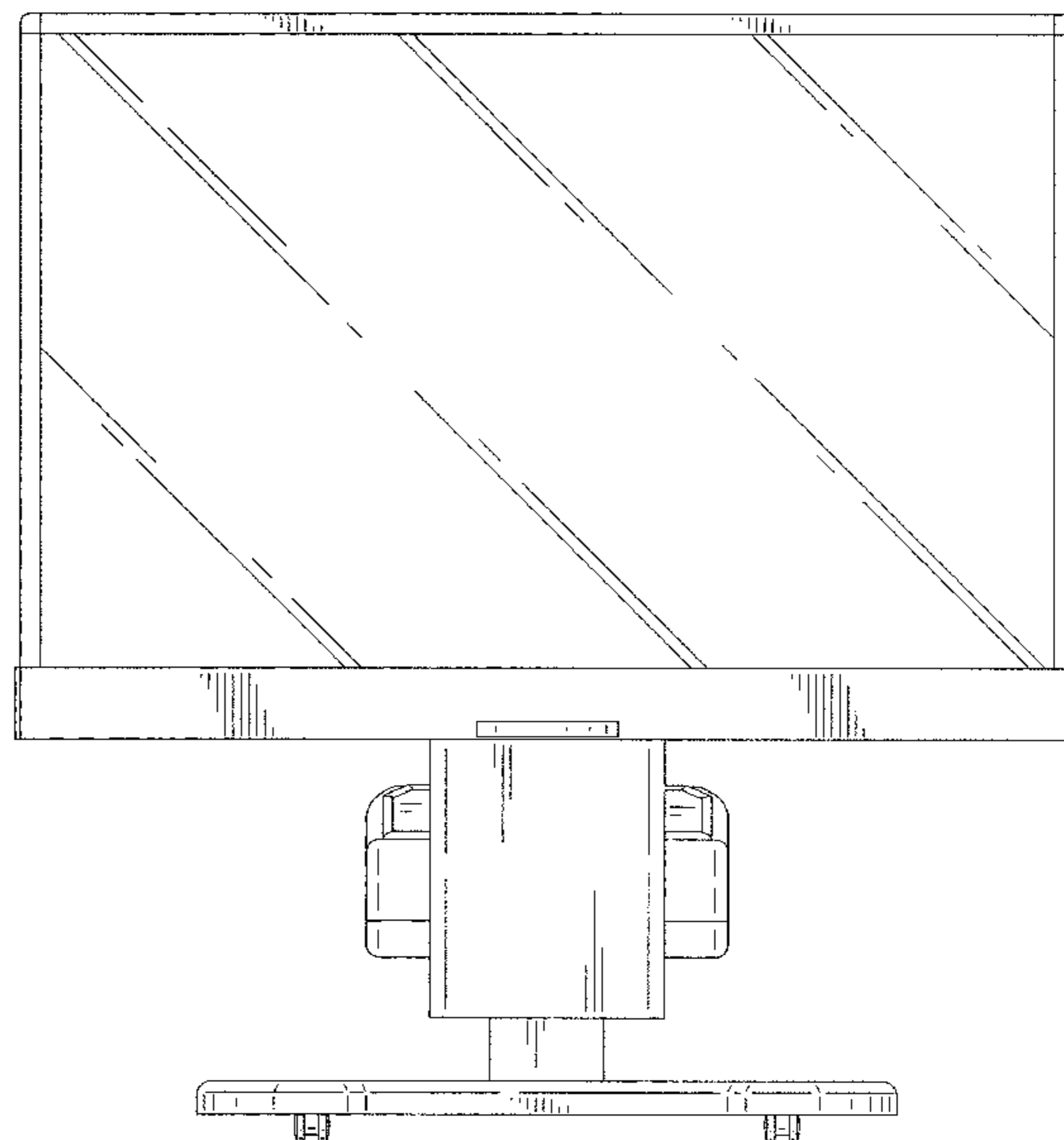
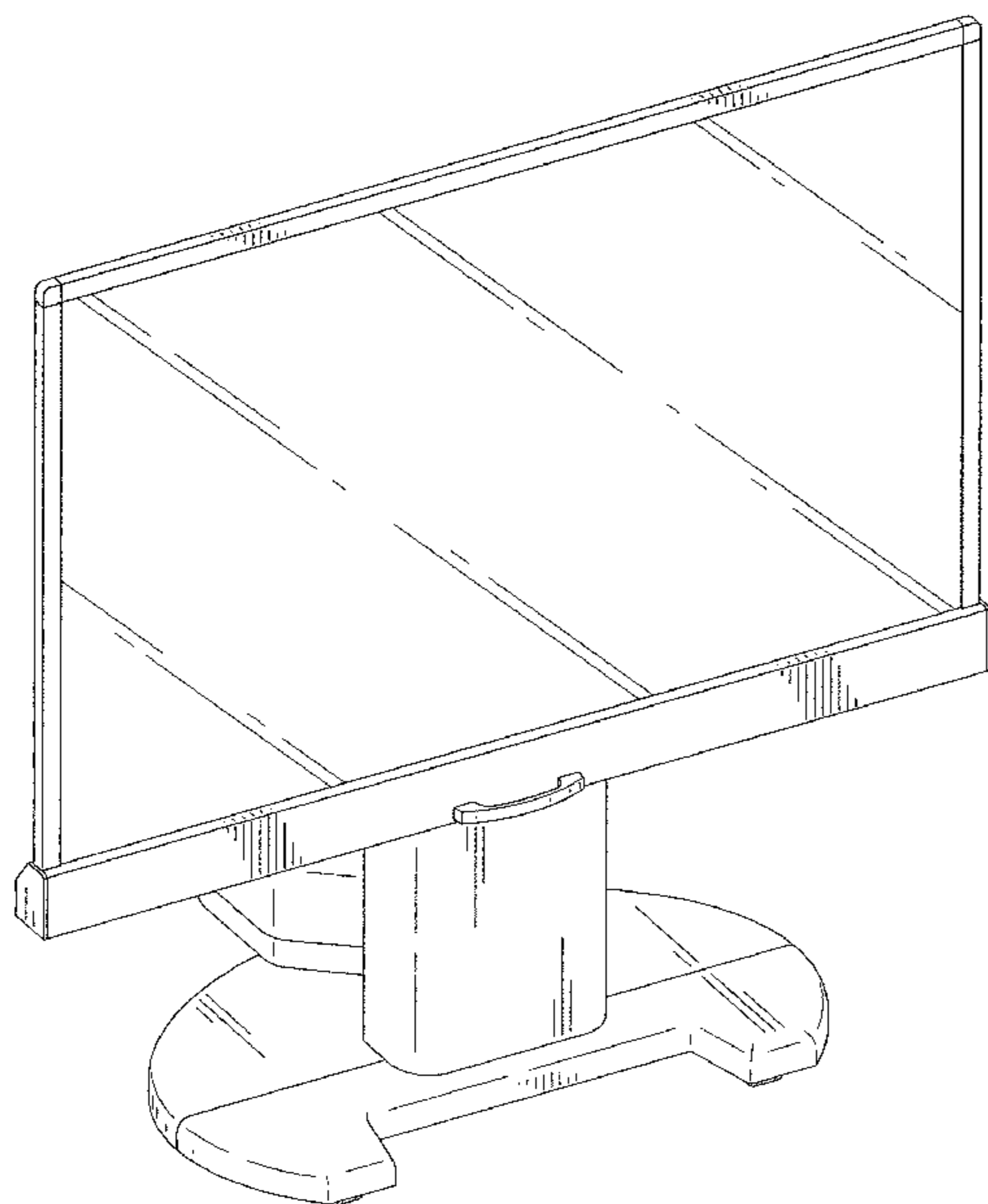
(57) **CLAIM**

We claim the ornamental design for a image display with projector, as shown and described.

DESCRIPTION

FIG. 1 is a front, top and left side perspective view of an image display with projector showing our new design;
FIG. 2 is a front elevational view thereof;
FIG. 3 is a rear elevational view thereof;
FIG. 4 is a top plan view thereof;
FIG. 5 is a bottom plan view thereof;
FIG. 6 is a left side elevational view thereof;
FIG. 7 is a right side elevational view thereof;
FIG. 8 is a front elevational view thereof, in a raised position; and,
FIG. 9 is a right side elevational view thereof, in a raised position.
The broken lines in FIG. 3 and FIG. 5 are included for the purpose of illustrating portions of the image display with projector that form no part of the claimed design.

1 Claim, 7 Drawing Sheets



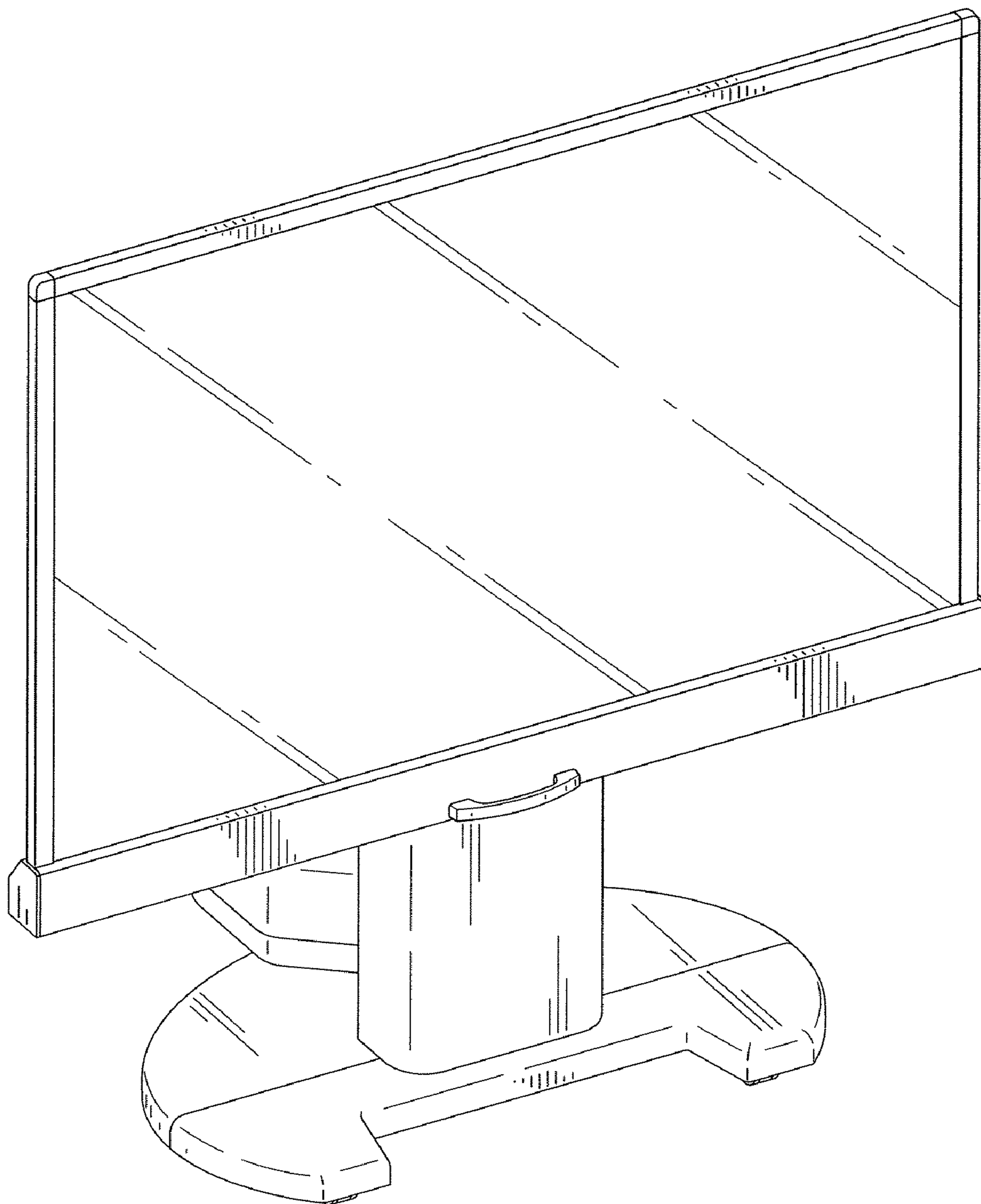


FIG. 1

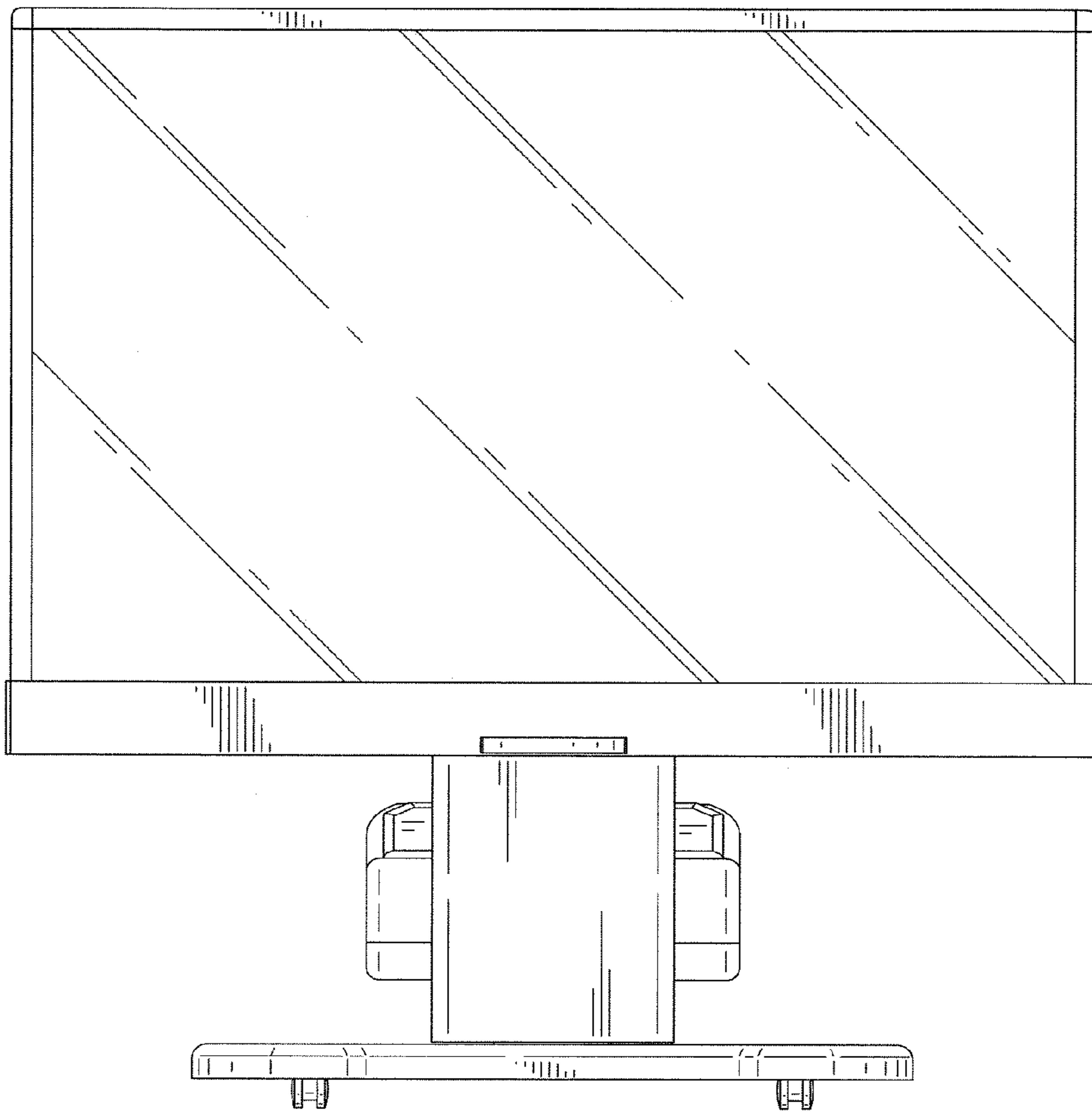


FIG. 2

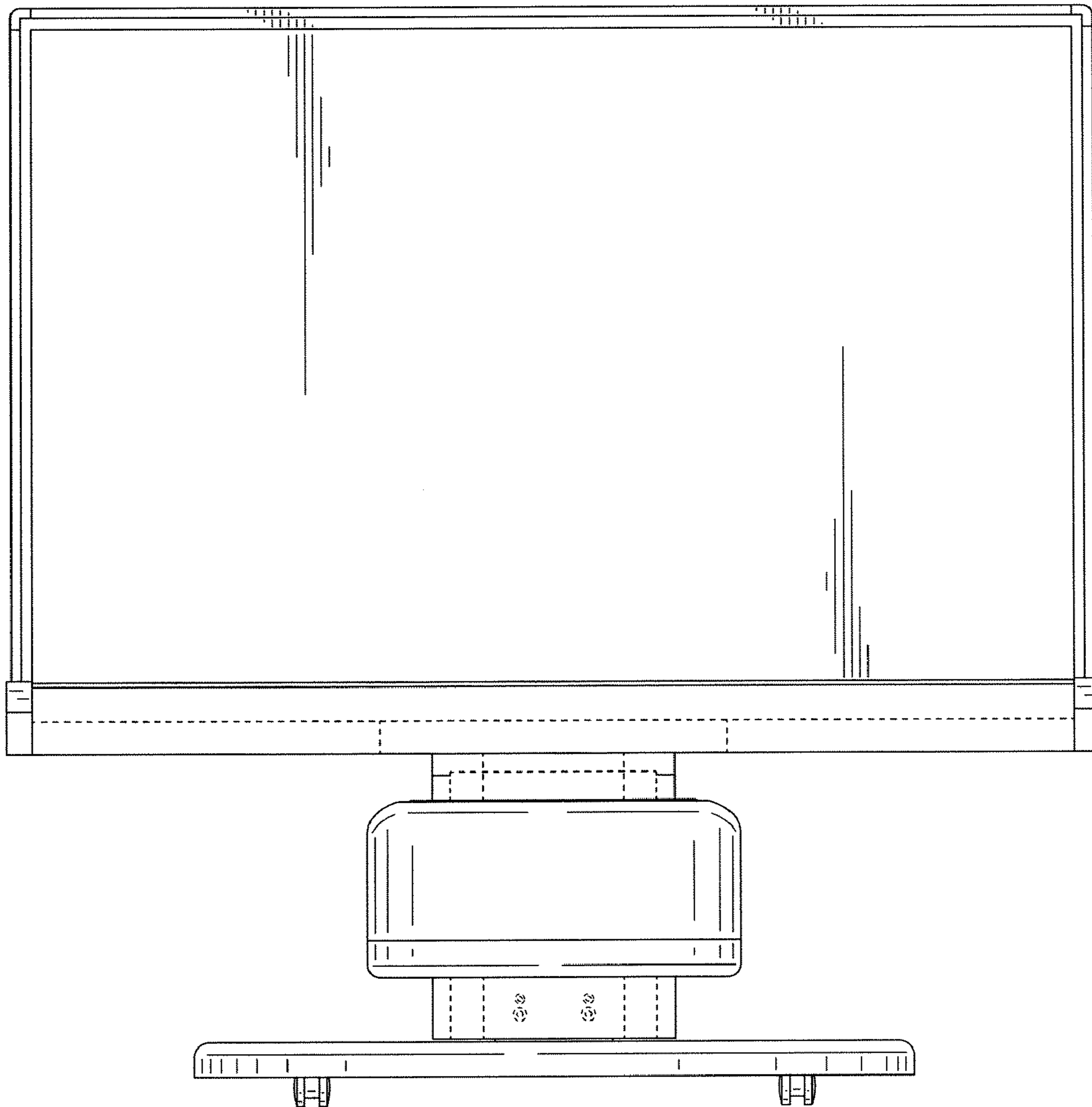


FIG. 3

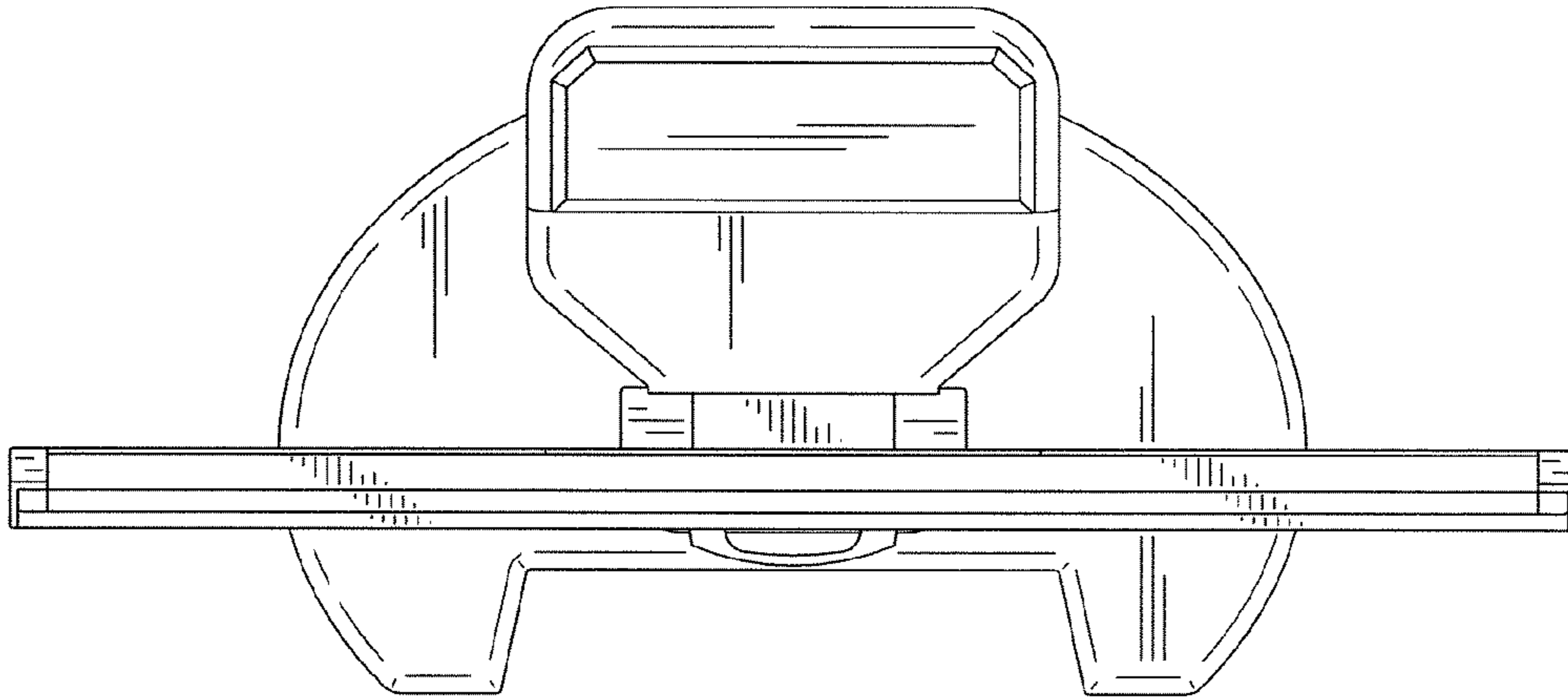


FIG. 4

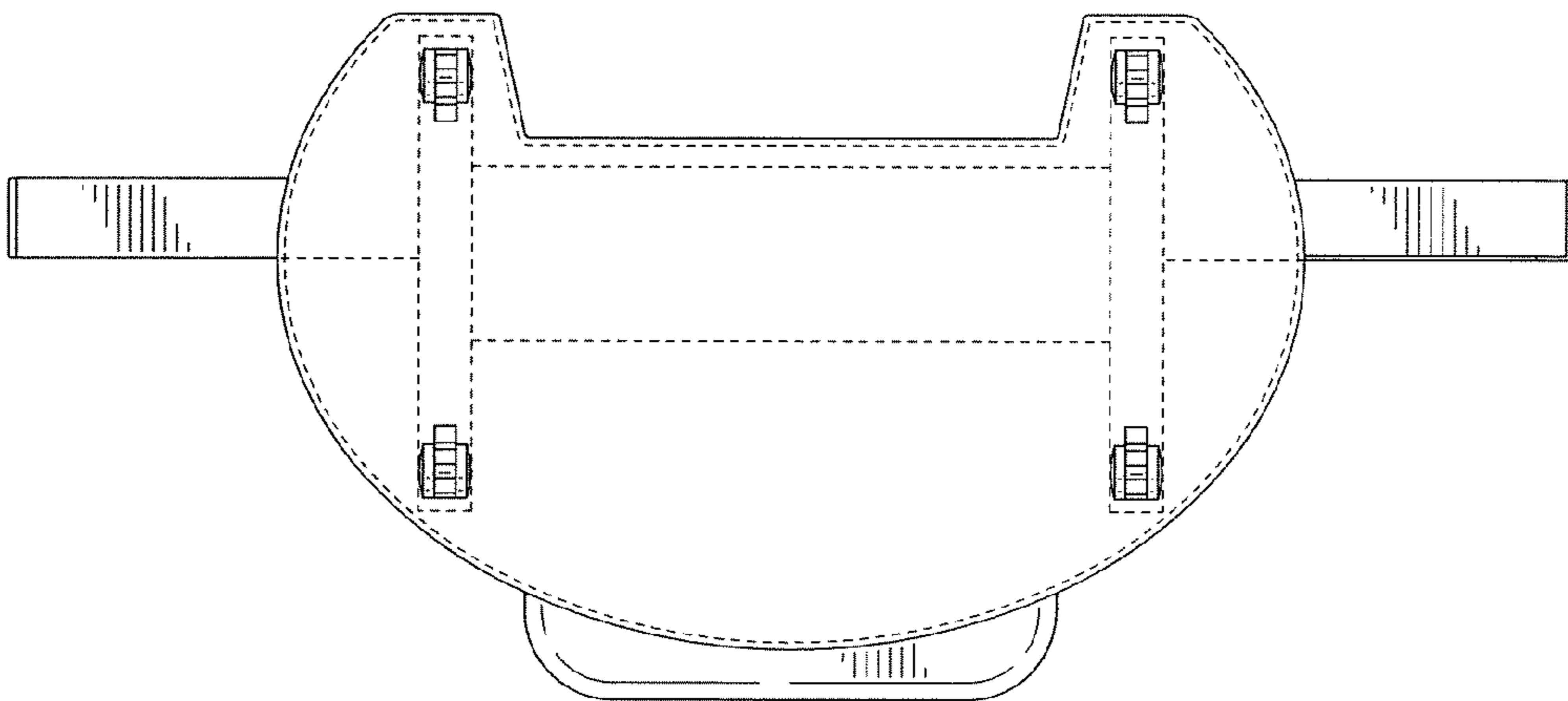


FIG. 5

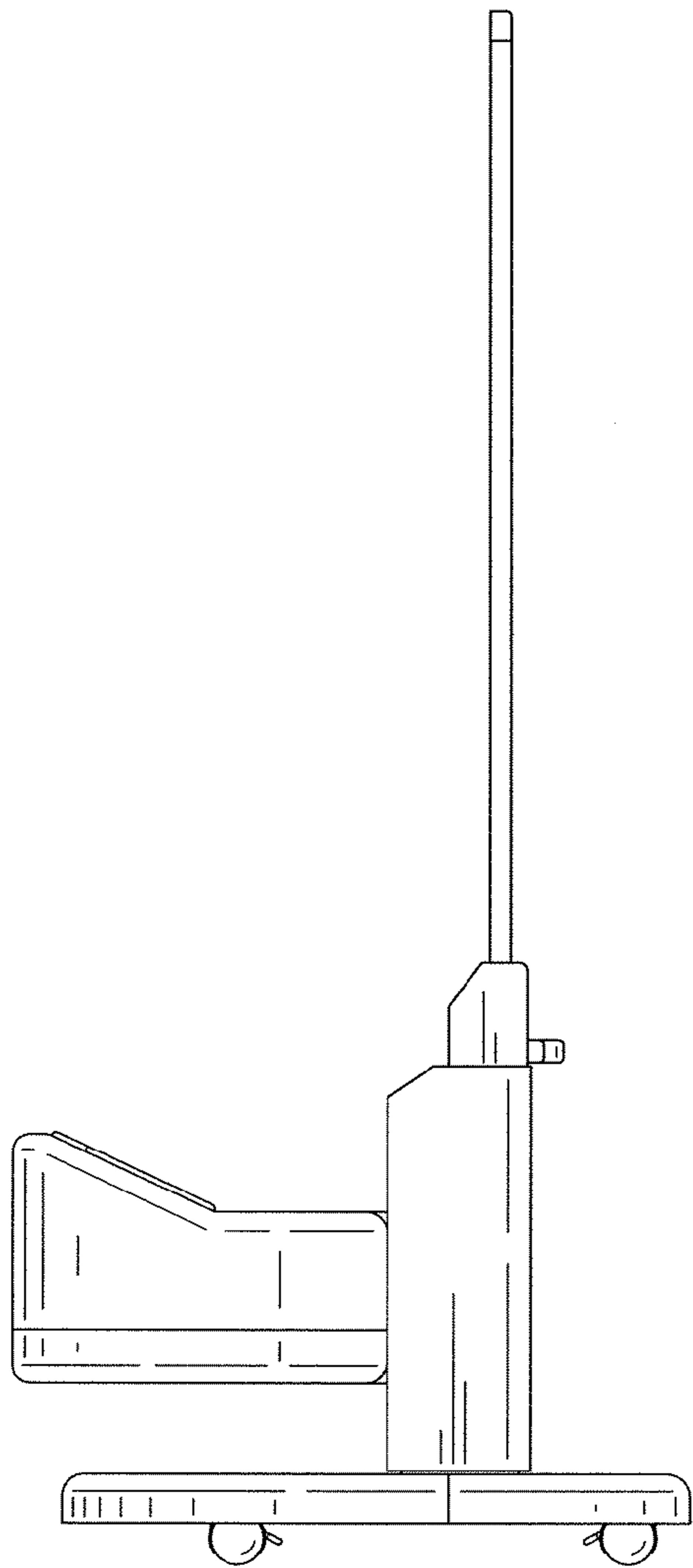


FIG. 6

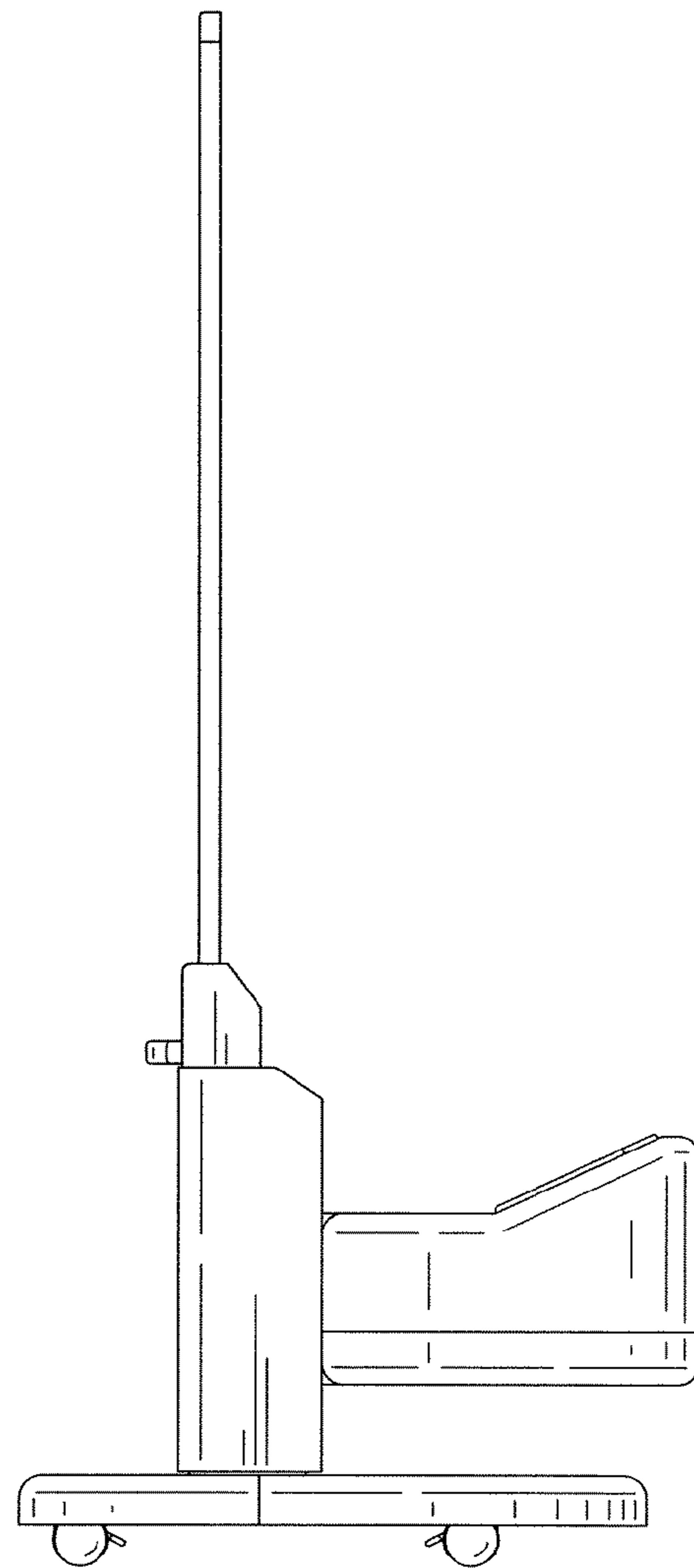


FIG. 7

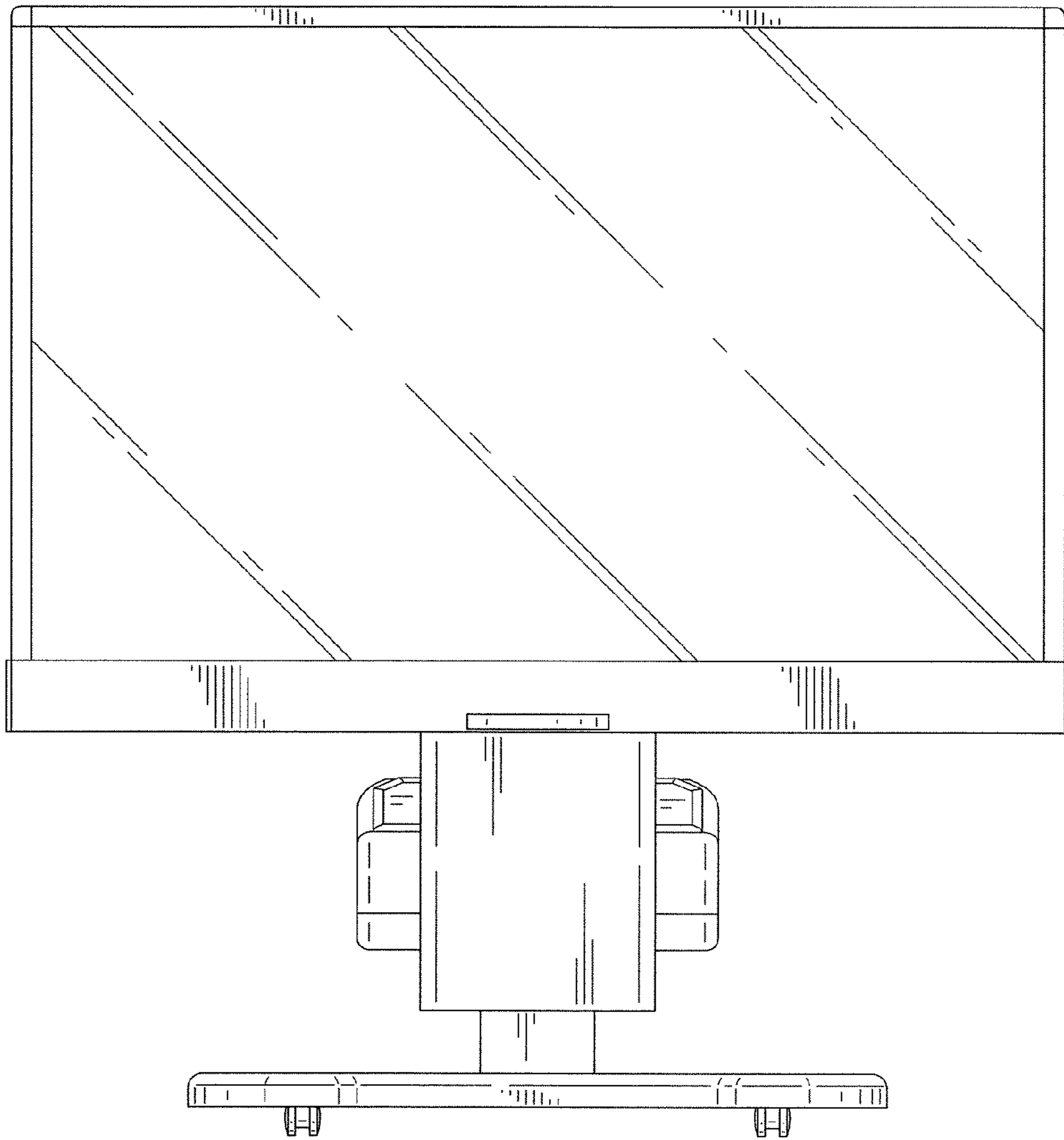


FIG. 8

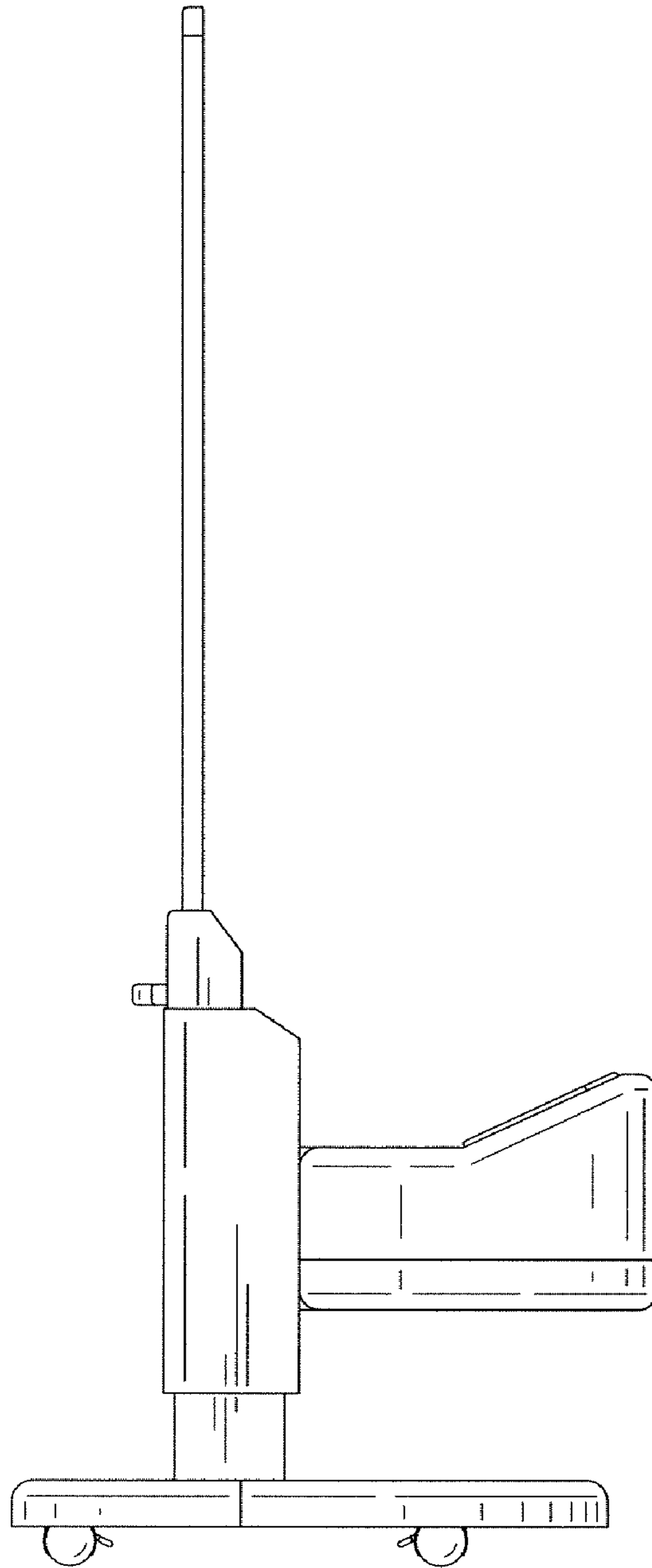


FIG. 9