



US00D650821S

(12) **United States Design Patent**
Verhey

(10) **Patent No.:** **US D650,821 S**

(45) **Date of Patent:** **** Dec. 20, 2011**

(54) **UNDERWATER CAMERA LENS**

(76) Inventor: **Patrick Verhey, Köln (DE)**

(**) Term: **14 Years**

(21) Appl. No.: **29/387,406**

(22) Filed: **Mar. 12, 2011**

(51) **LOC (9) Cl.** **16-05**

(52) **U.S. Cl.** **D16/219; D16/134**

(58) **Field of Classification Search** D16/134,
D16/136, 200, 204, 218, 219; 348/373-374;
359/814, 815, 819, 826-828; 396/25, 529,
396/535

See application file for complete search history.

(56) **References Cited**

U.S. PATENT DOCUMENTS

1,262,347	A	*	4/1918	Idé	D16/134
D183,252	S	*	7/1958	Gebele	D16/134
D252,833	S	*	9/1979	Bowser	D26/85
D339,599	S	*	9/1993	Tiffen	D16/219

6,369,960	B2	*	4/2002	Azegami	359/819
D529,065	S	*	9/2006	Watanabe	D16/219
D644,679	S	*	9/2011	Woodman	D16/219

* cited by examiner

Primary Examiner — Adir Aronovich

(74) *Attorney, Agent, or Firm* — Smart PLC; Axel Nix

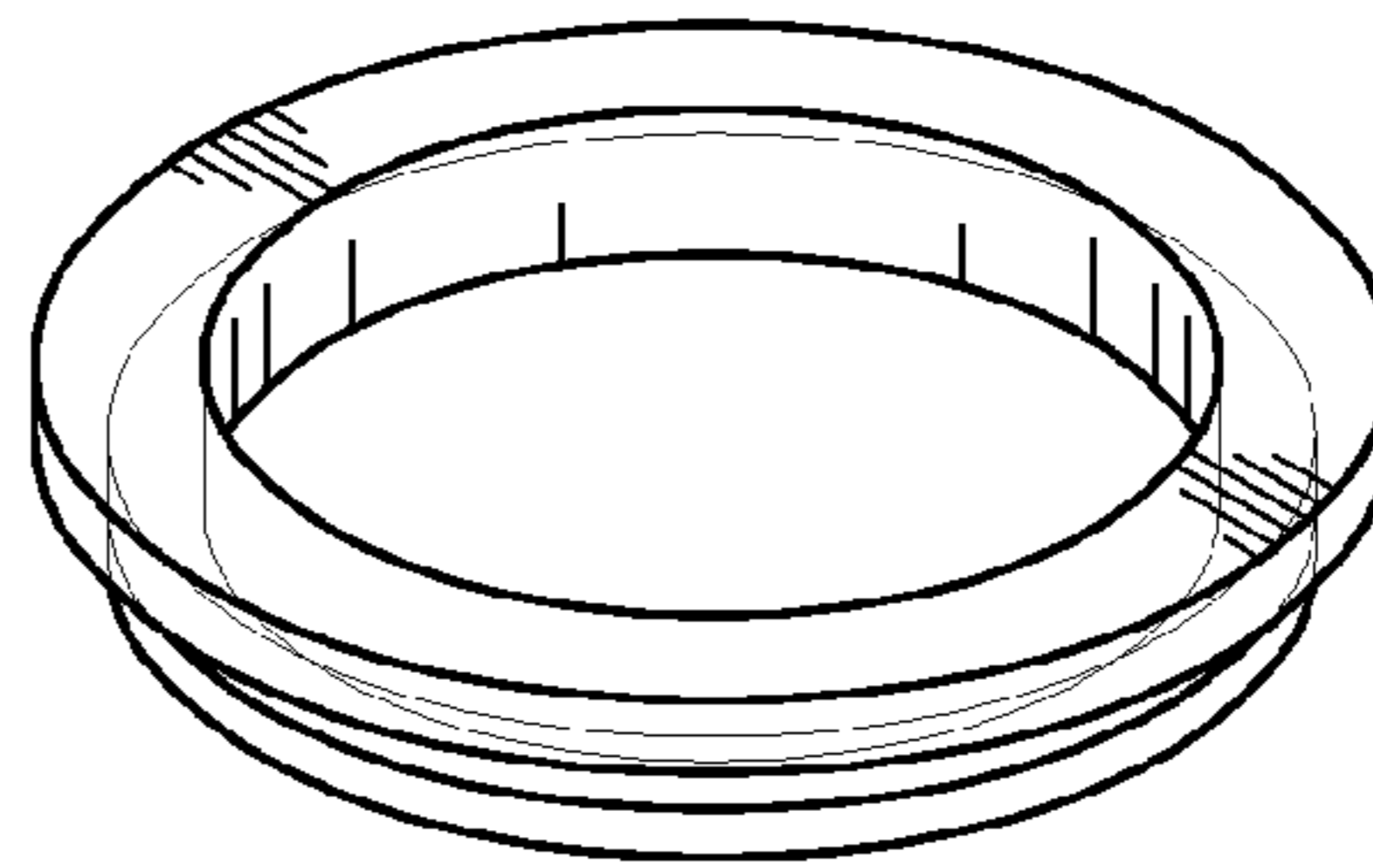
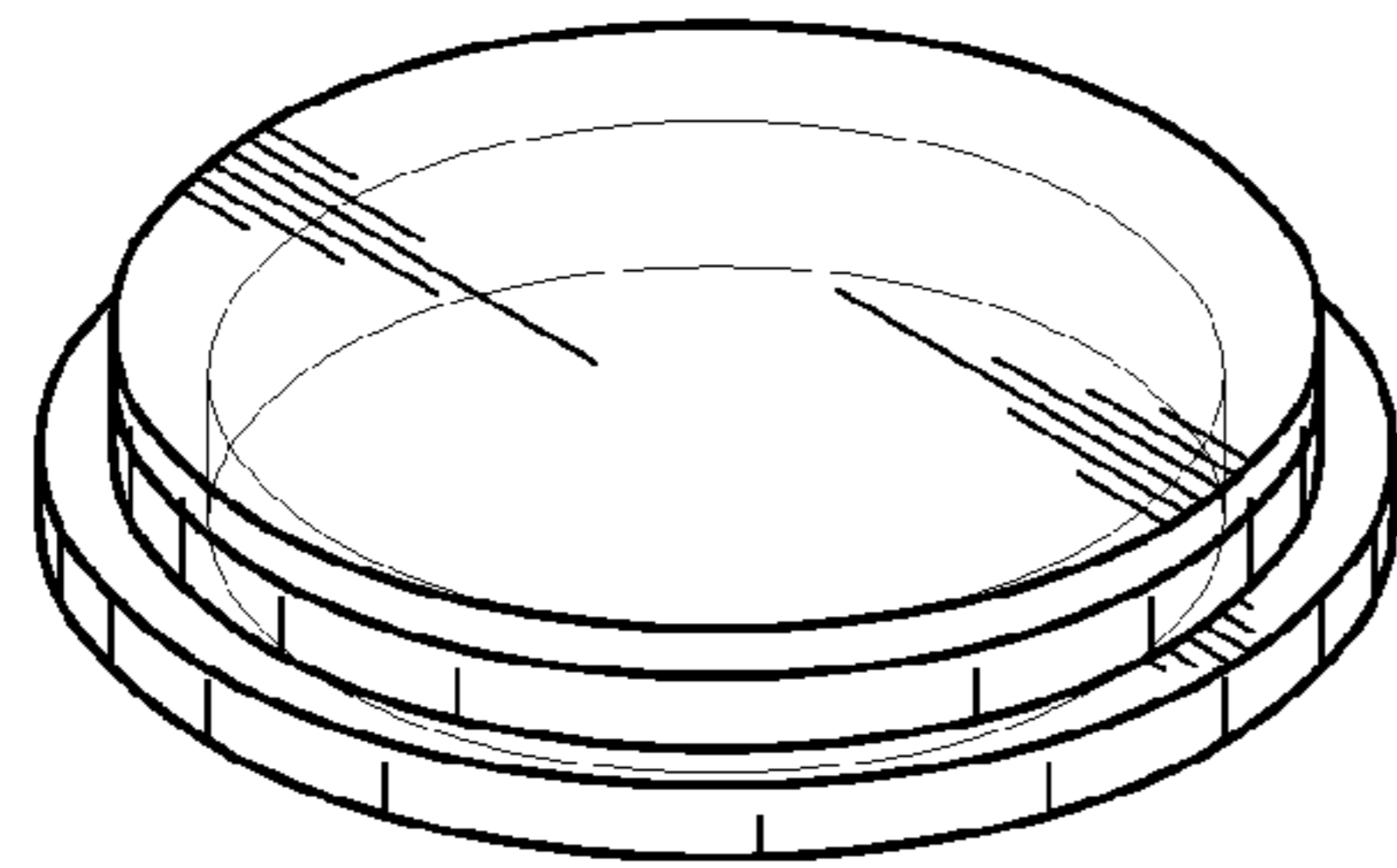
(57) **CLAIM**

I claim the ornamental design for an underwater camera lens, as shown and described.

DESCRIPTION

FIG. 1 is a top plan view of an underwater camera lens showing my new design;
FIG. 2 is a bottom plan view of thereof;
FIG. 3 is a top and side perspective view thereof;
FIG. 4 is a bottom and side perspective view thereof;
FIG. 5 is a side elevational view thereof, all undisclosed sides being identical; and,
FIG. 6 is a cross sectional view thereof taken along line 6-6 of FIG. 1.

1 Claim, 1 Drawing Sheet



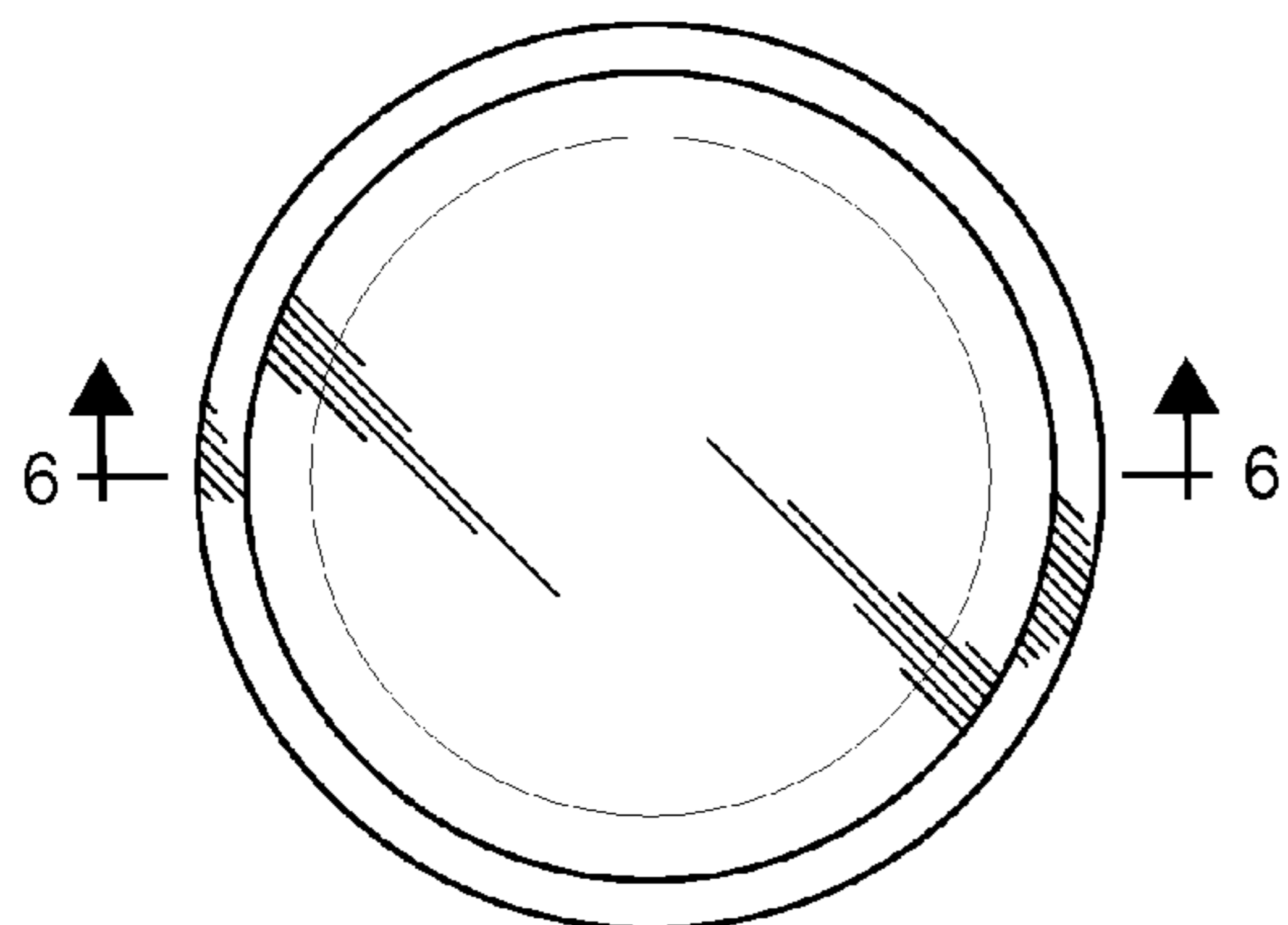


FIG. 1

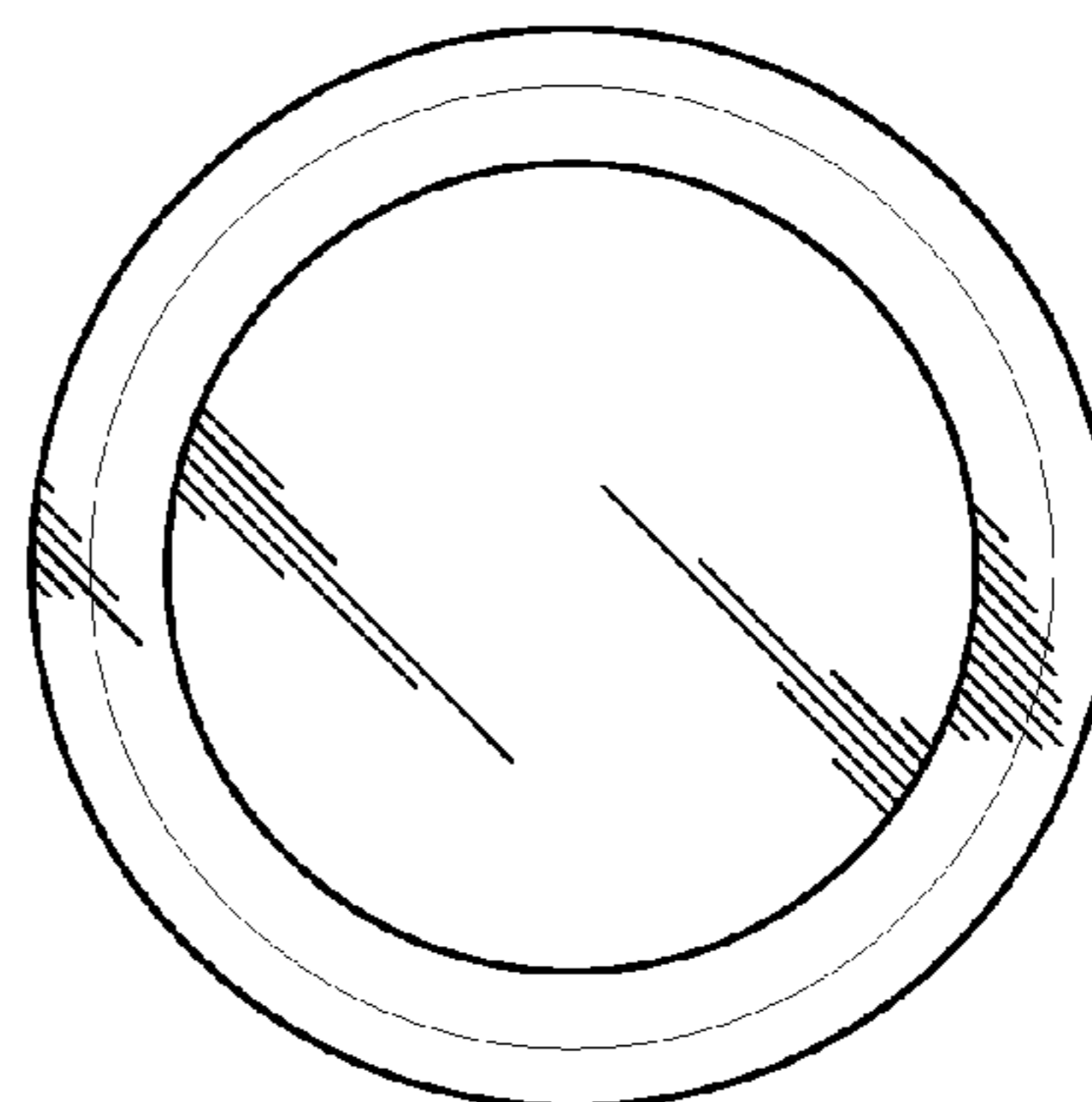


FIG. 2

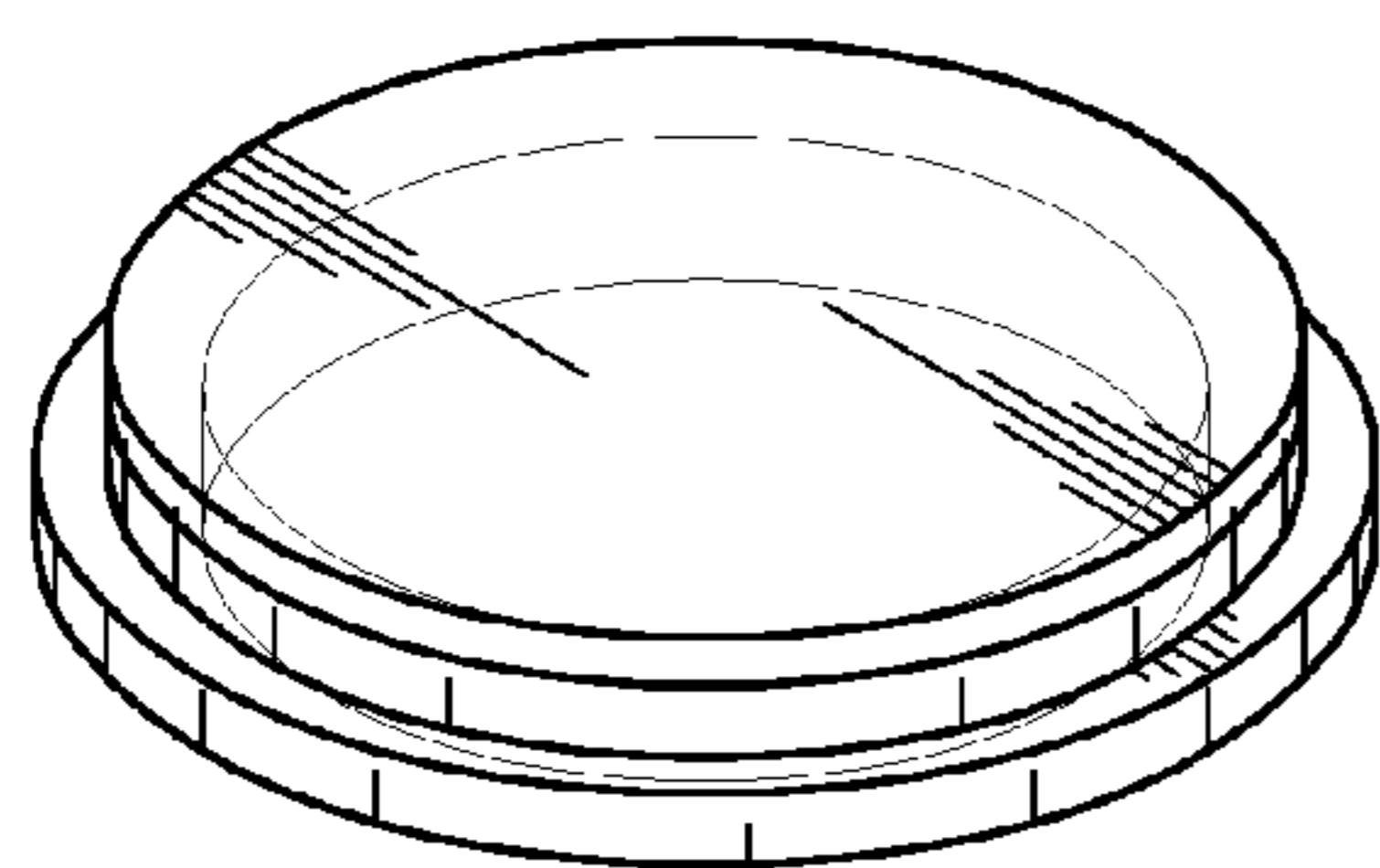


FIG. 3

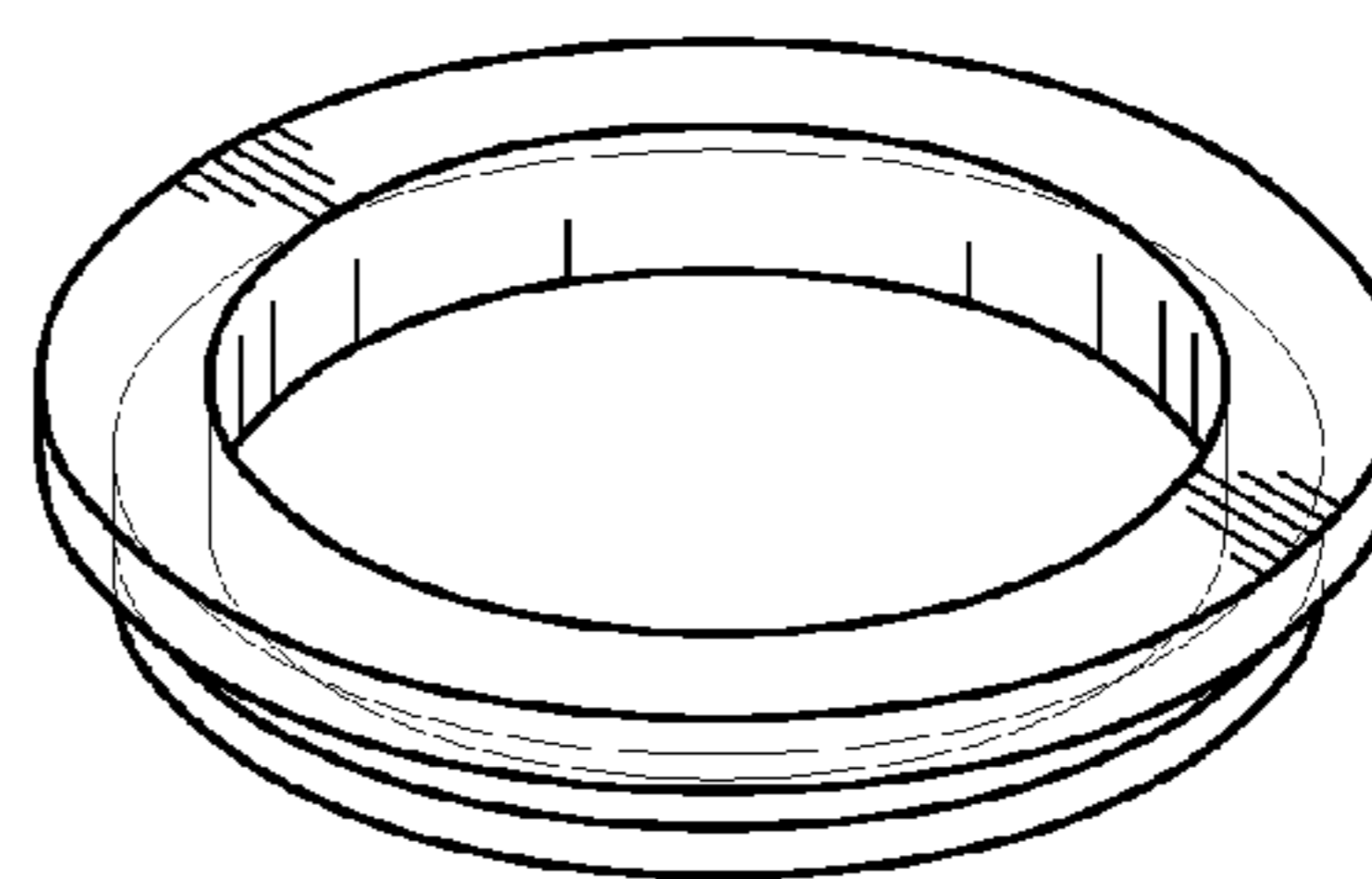


FIG. 4

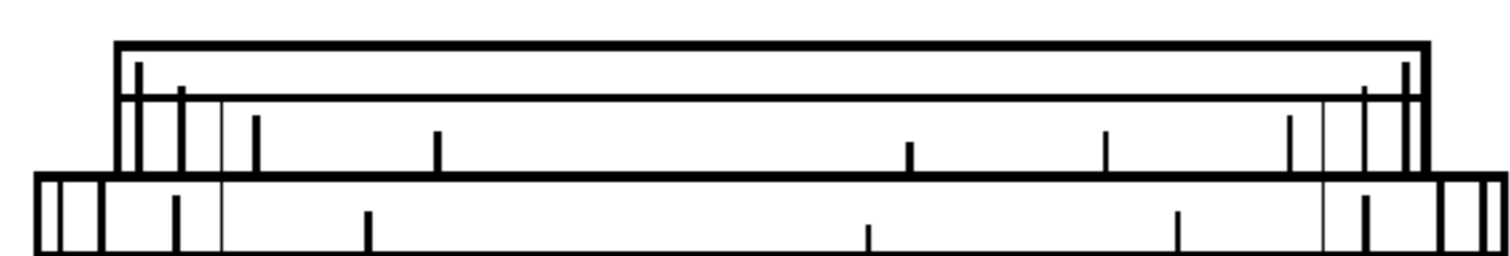


FIG. 5

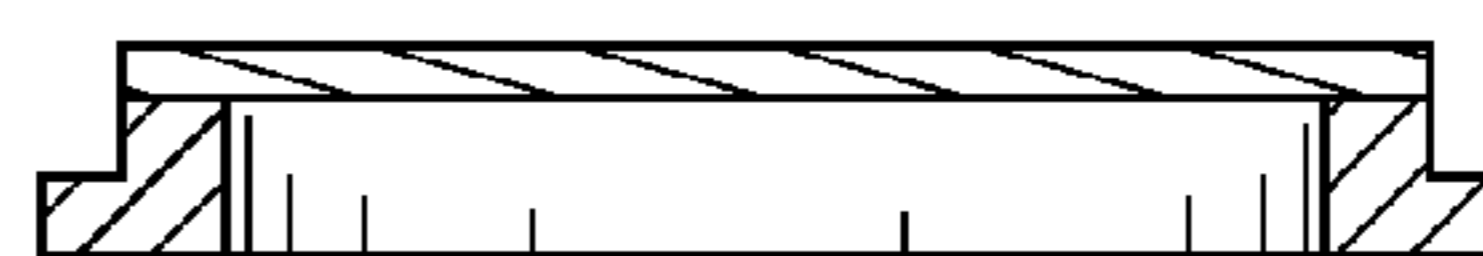


FIG. 6