



US00D650820S

(12) **United States Design Patent**  
**Long**

(10) **Patent No.:** **US D650,820 S**

(45) **Date of Patent:** **\*\* Dec. 20, 2011**

(54) **ROBOT**

(75) Inventor: **Bo Long**, Shenzhen (CN)

(73) Assignee: **Hon Hai Precision Industry Co., Ltd.**,  
Tu-Cheng, New Taipei (TW)

(\*\*) Term: **14 Years**

(21) Appl. No.: **29/399,844**

(22) Filed: **Aug. 19, 2011**

(51) **LOC (9) Cl.** ..... **15-99**

(52) **U.S. Cl.** ..... **D15/199**

(58) **Field of Classification Search** ..... D15/122,  
D15/199; D24/176; D34/28, 29, 35; 74/490.01,  
74/490.02, 490.03, 490.05; 198/367, 370.1,  
198/370.04, 722, 771, 782, 866, 890, 890.1;  
219/124.34, 639; 318/560; 414/744.1, 935,  
414/936, 937, 938, 940; 700/150  
See application file for complete search history.

(56) **References Cited**

**U.S. PATENT DOCUMENTS**

D279,572 S *	7/1985	Yasuoka et al. ....	D15/199
4,586,868 A *	5/1986	Nakashima et al. ....	414/735
D300,935 S *	5/1989	Maddock et al. ....	D15/199
5,201,106 A *	4/1993	Moore et al. ....	29/407.05
5,658,121 A *	8/1997	Hashimoto ....	414/744.1
D410,477 S *	6/1999	Nihei et al. ....	D15/199
D615,574 S *	5/2010	Liu et al. ....	D15/199

D616,477 S *	5/2010	Long et al. ....	D15/199
D616,909 S *	6/2010	Long ....	D15/199
D629,030 S *	12/2010	Long et al. ....	D15/199
D638,455 S *	5/2011	Long ....	D15/199
D642,352 S *	7/2011	Chen et al. ....	D34/28
2005/0204850 A1 *	9/2005	Nihei et al. ....	74/490.01

\* cited by examiner

*Primary Examiner* — Patricia Palasik

(74) *Attorney, Agent, or Firm* — Altis Law Group, Inc.

(57) **CLAIM**

The ornamental design for a robot, as shown and described.

**DESCRIPTION**

FIG. 1 is a perspective view of a robot showing my new design;

FIG. 2 is a front elevational view thereof;

FIG. 3 is a rear elevational view thereof;

FIG. 4 is a left-side elevational view thereof;

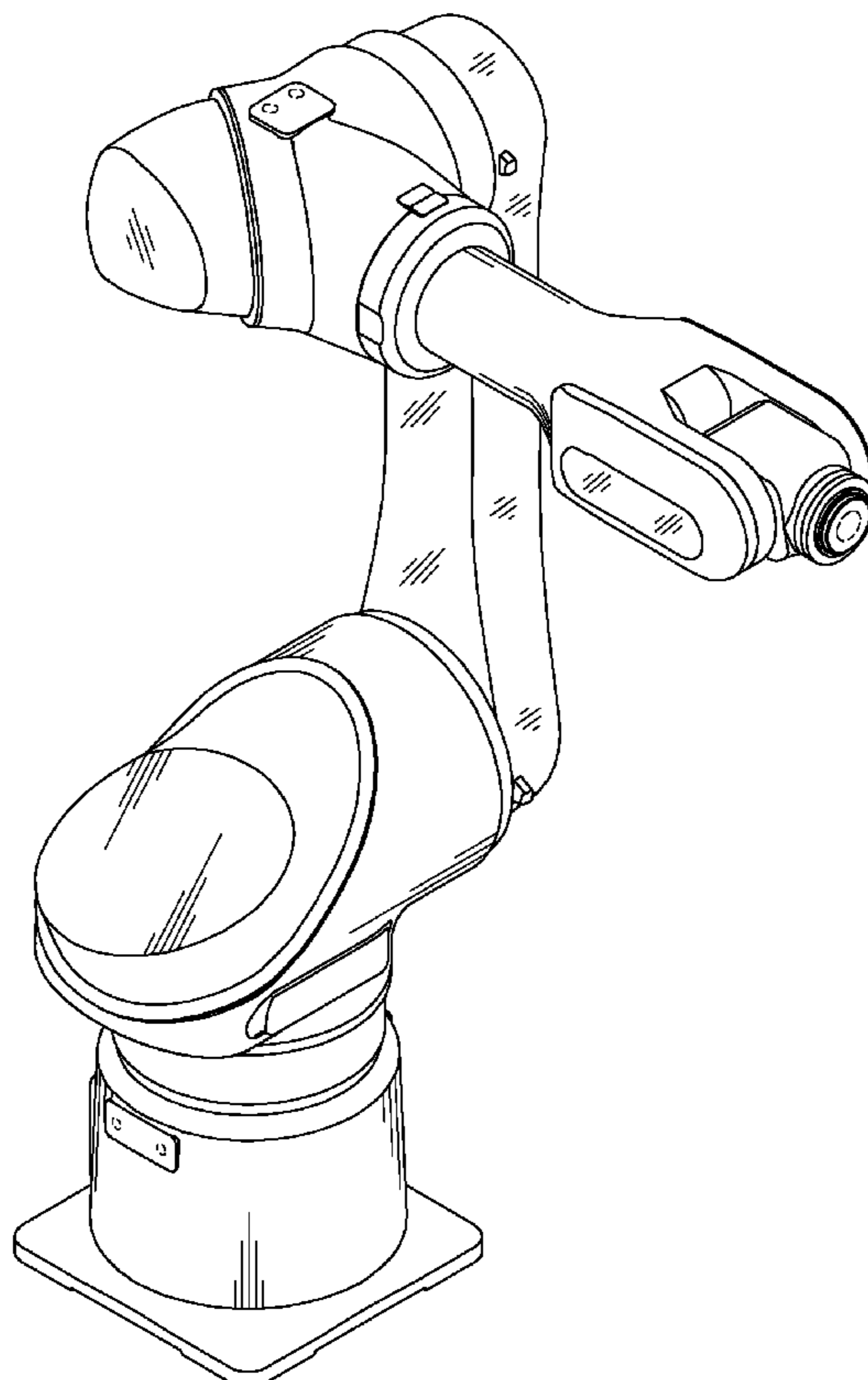
FIG. 5 is a right-side elevational view thereof;

FIG. 6 is a top plan view thereof; and,

FIG. 7 is a bottom plan view thereof.

The broken lines shown are for the purpose of illustrating unclaimed portions of the robot and form no part of the claimed design.

**1 Claim, 7 Drawing Sheets**



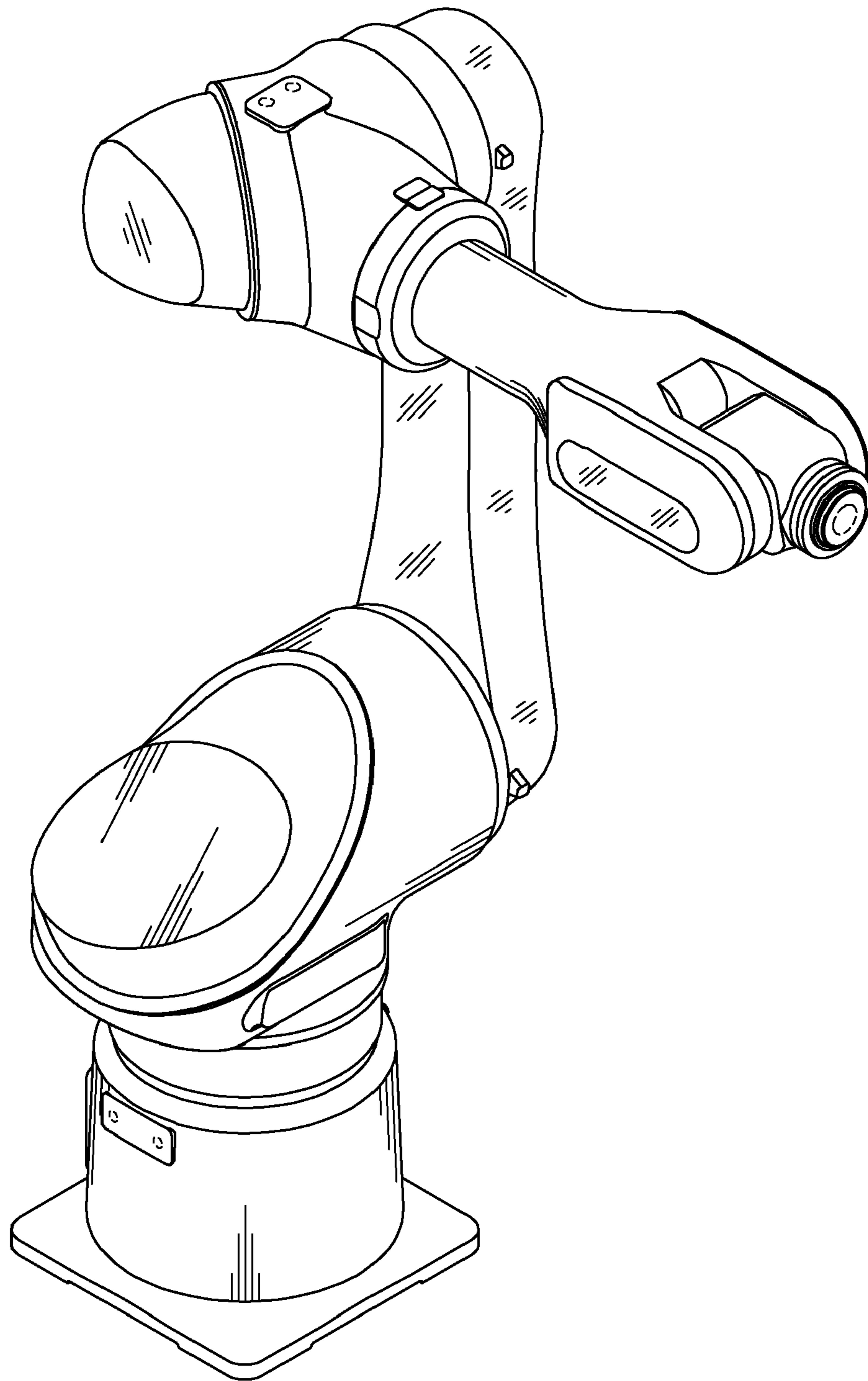


FIG. 1

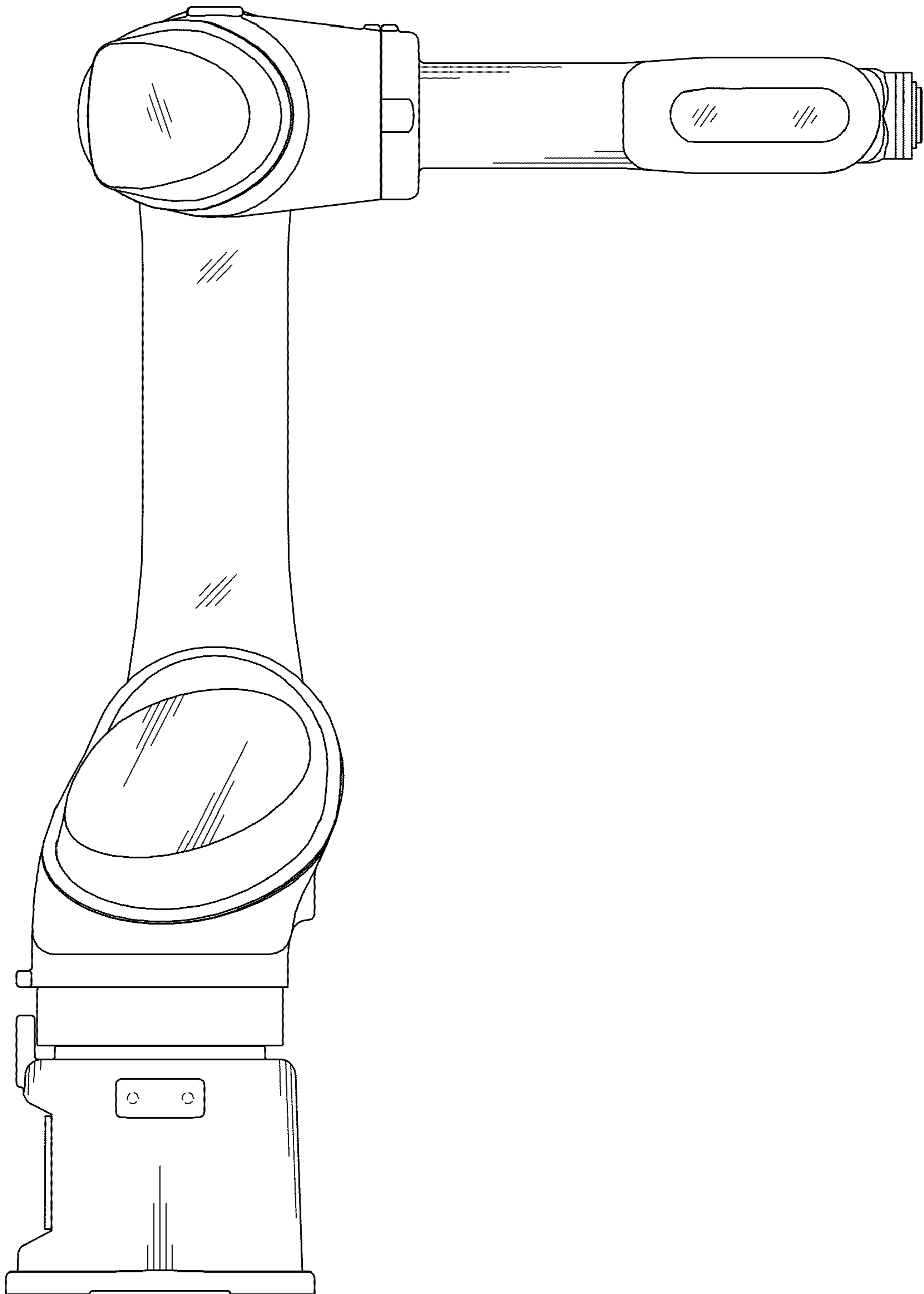


FIG. 2

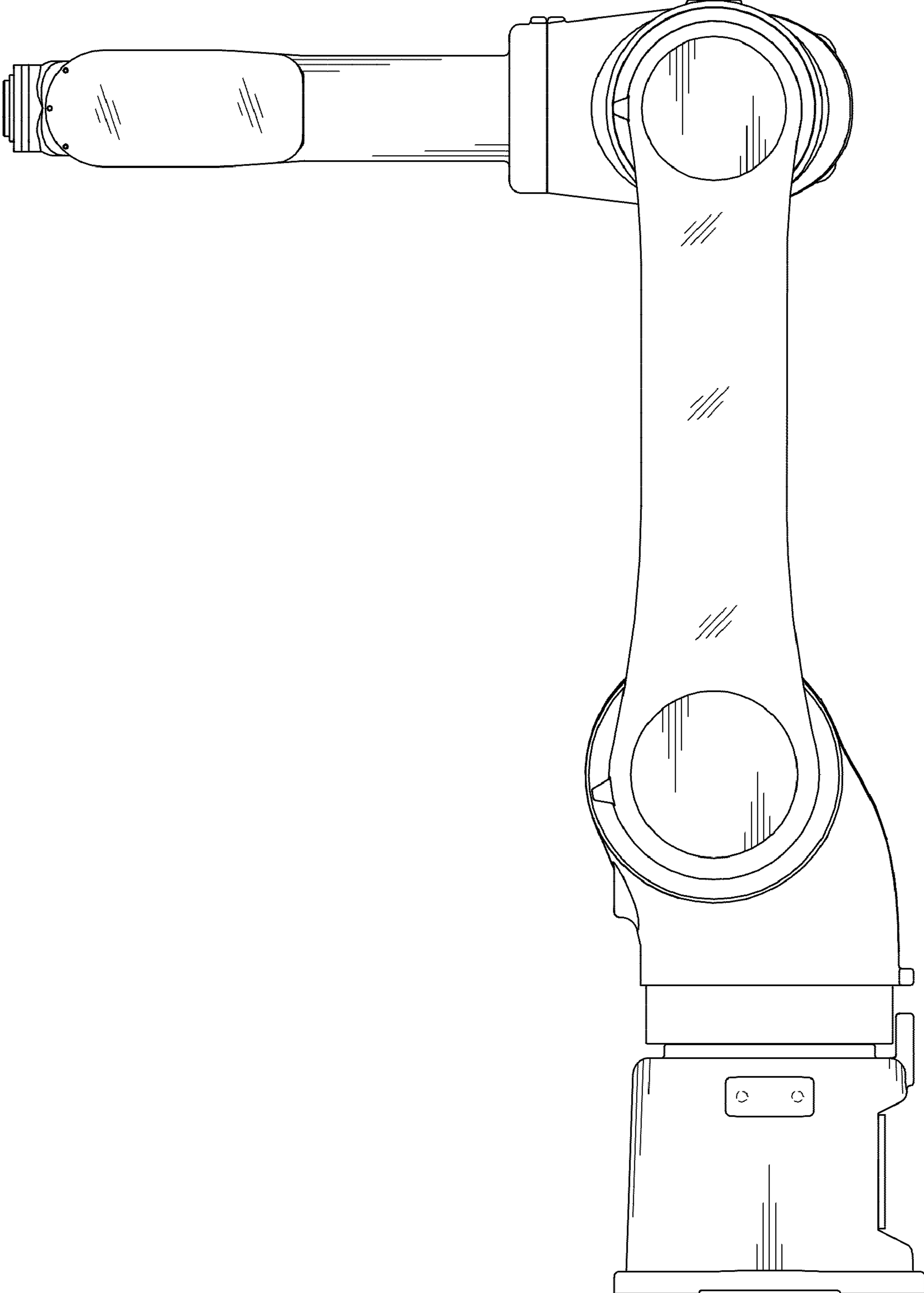


FIG. 3

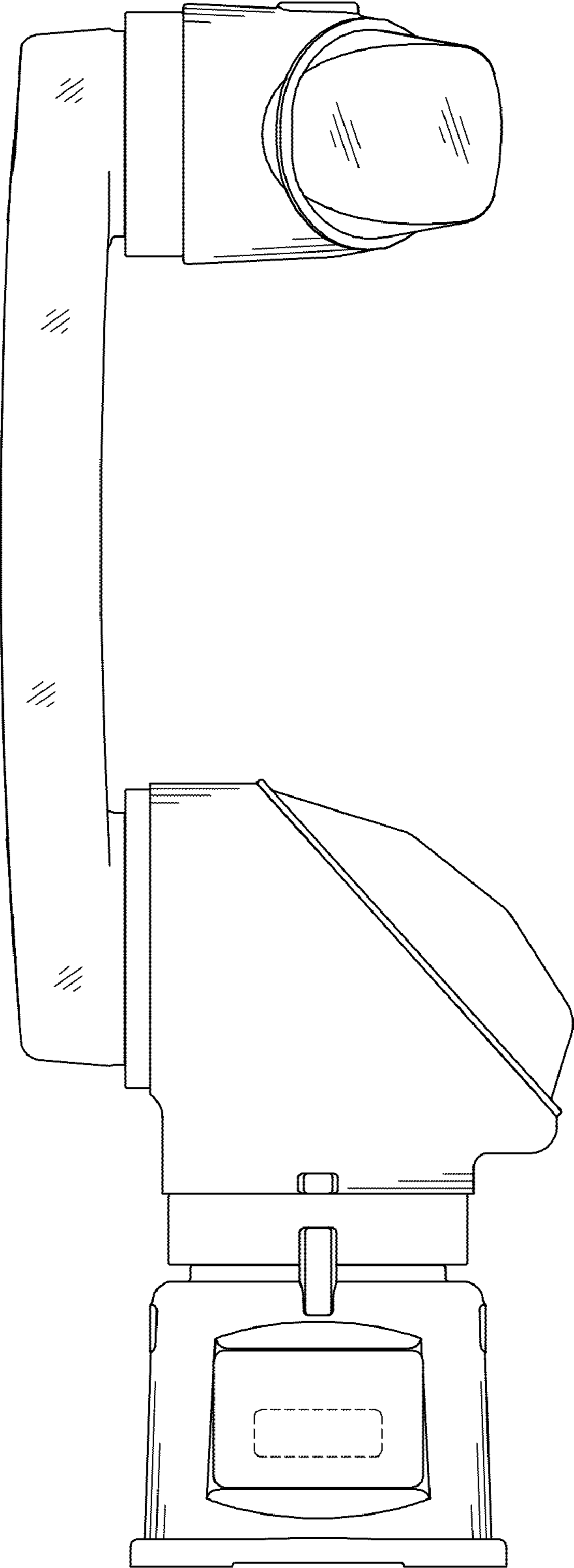


FIG. 4

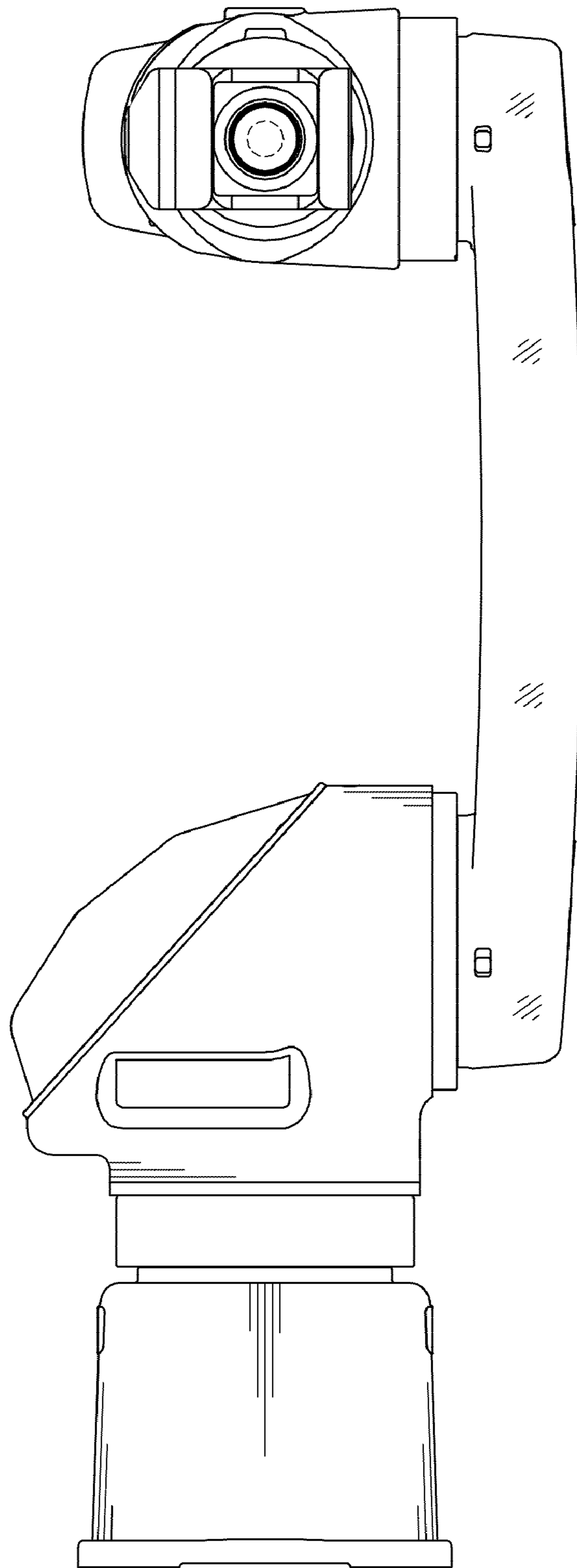


FIG. 5

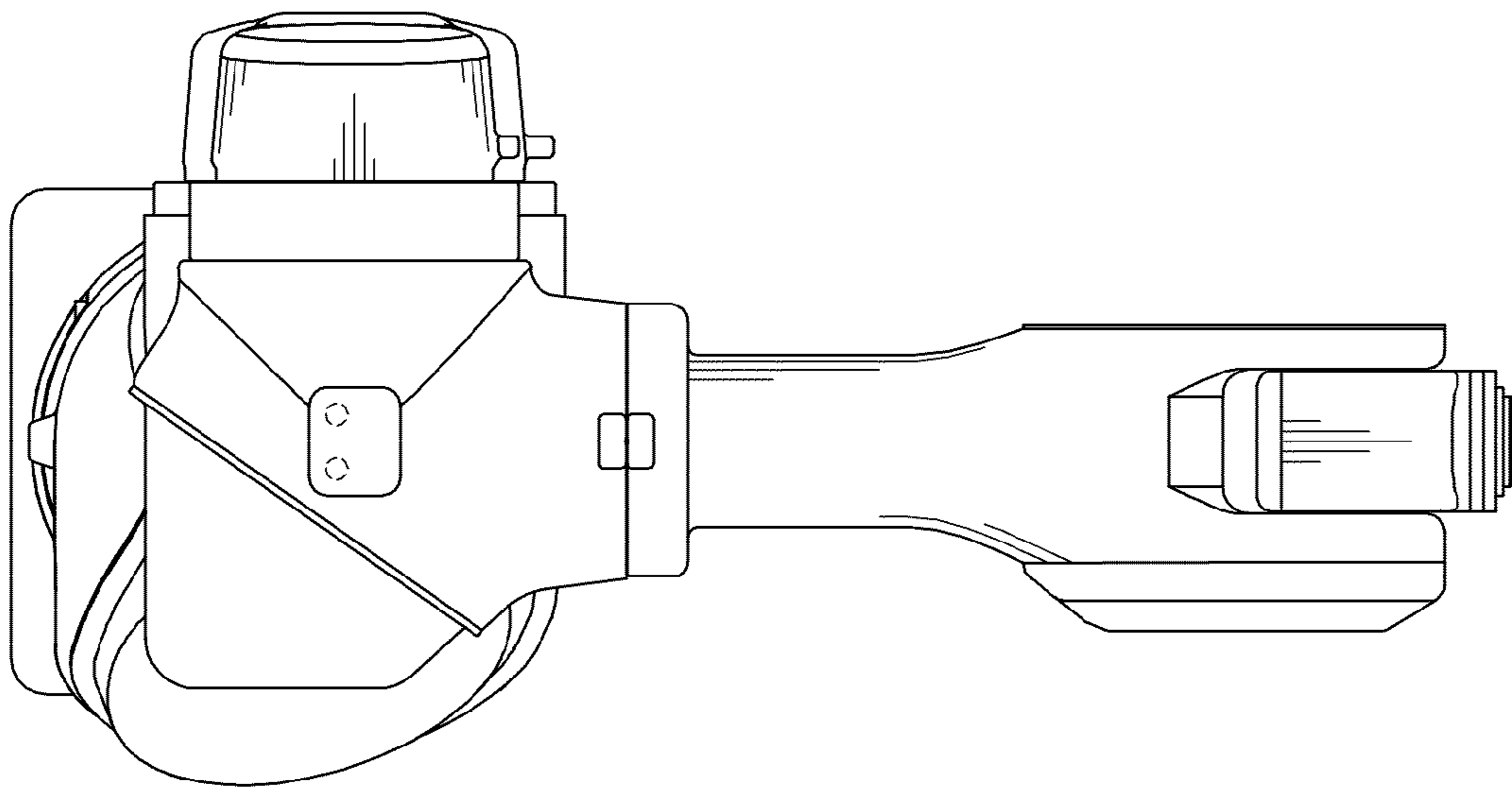


FIG. 6

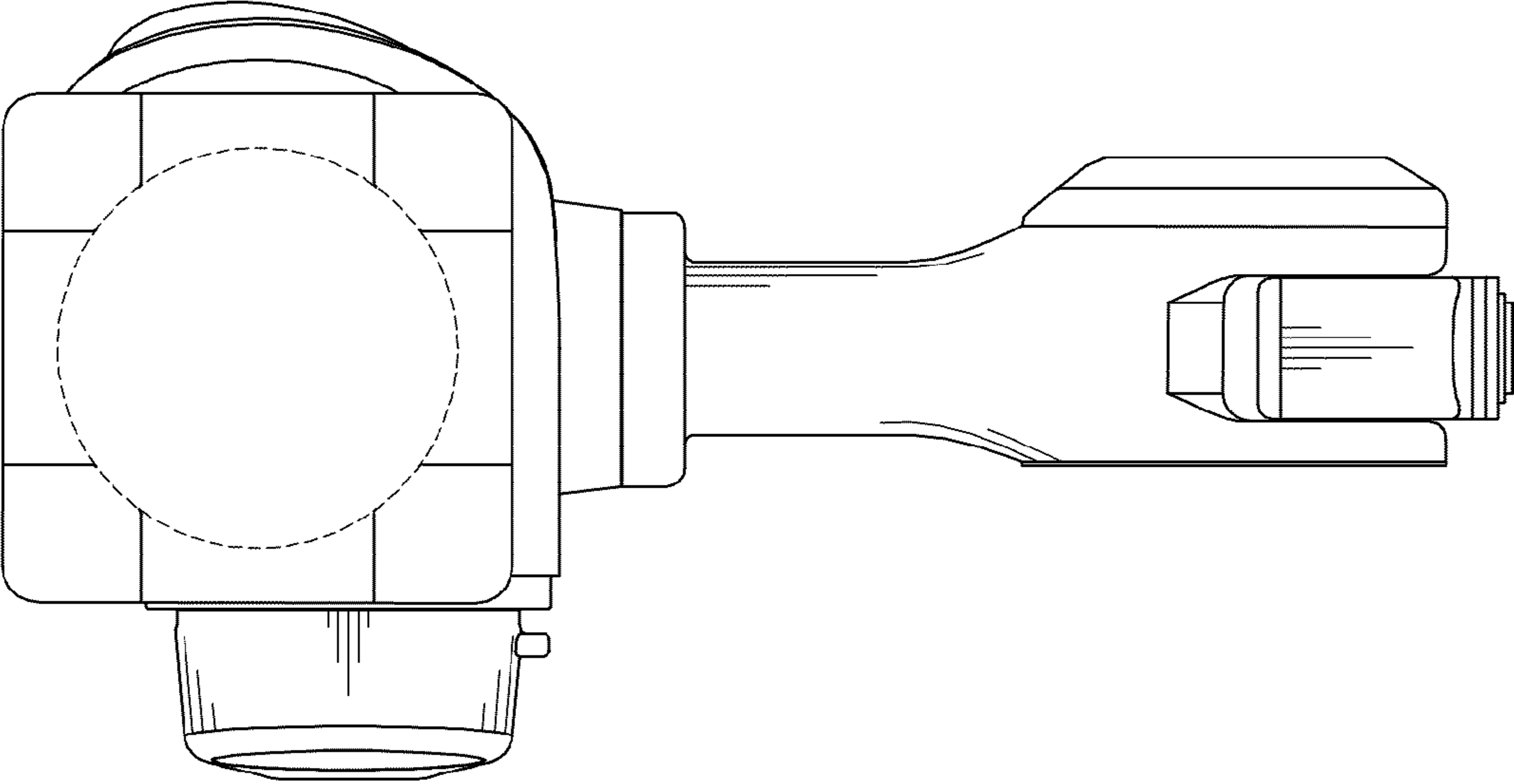


FIG. 7