



US00D650819S

(12) **United States Design Patent**
Liu

(10) **Patent No.:** **US D650,819 S**
(45) **Date of Patent:** **** Dec. 20, 2011**

(54) **ROBOT**

(75) Inventor: **Zhen-Xing Liu**, Shenzhen (CN)

(73) Assignee: **Hon Hai Precision Industry Co., Ltd.**,
Tu-Cheng, New Taipei (TW)

(**) Term: **14 Years**

(21) Appl. No.: **29/399,450**

(22) Filed: **Aug. 15, 2011**

(51) **LOC (9) Cl.** **15-99**

(52) **U.S. Cl.** **D15/199**

(58) **Field of Classification Search** D15/122,
D15/199; D24/176; D34/28, 29, 35; 74/490.01,
74/490.02, 490.03, 490.05; 198/367, 370.1,
198/370.04, 722, 771, 782, 866, 890, 890.1;
219/124.34, 639; 318/560; 414/735, 744.1,
414/935, 936, 937, 938, 940; 700/150, 245;
901/28

See application file for complete search history.

(56) **References Cited**

U.S. PATENT DOCUMENTS

D433,043	S	*	10/2000	Uematsu et al.	D15/199
6,418,811	B1	*	7/2002	Rosheim	74/490.06
6,577,093	B1	*	6/2003	Hvittfeldt et al.	318/568.11
D596,815	S	*	7/2009	Baek	D32/21
D619,632	S	*	7/2010	Feng	D15/199
D642,765	S	*	8/2011	Long	D34/28
2006/0182602	A1	*	8/2006	Schuler et al.	414/735

* cited by examiner

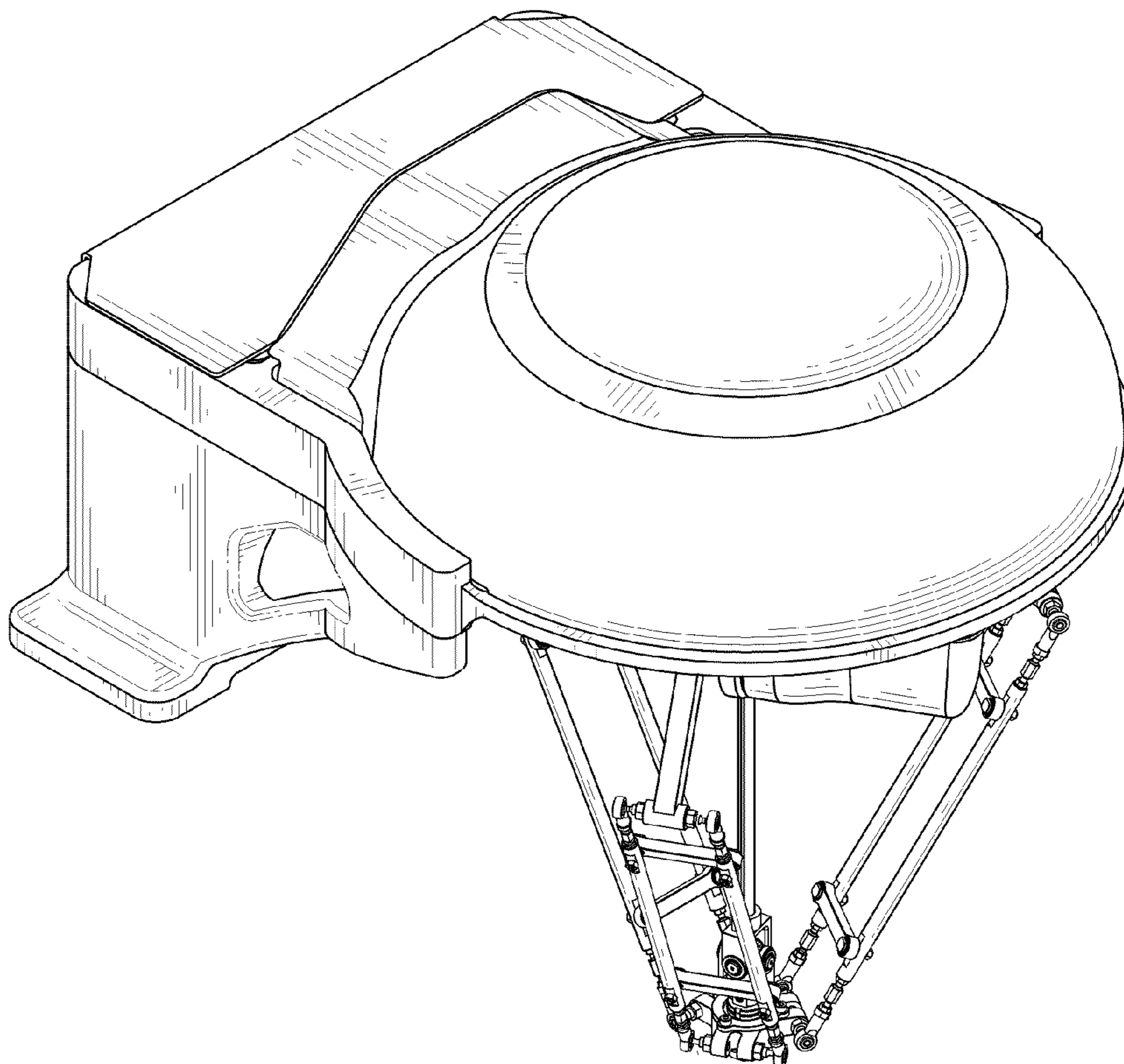
Primary Examiner — Patricia Palasik
(74) *Attorney, Agent, or Firm* — Altis Law Group, Inc.

(57) **CLAIM**
The ornamental design for a robot, as shown and described.

DESCRIPTION

FIG. 1 is a perspective view of a robot showing my design.
FIG. 2 is a front elevational view thereof;
FIG. 3 is a rear elevational view thereof;
FIG. 4 is a left-side elevational view thereof;
FIG. 5 is a right-side elevational view thereof;
FIG. 6 is a top plan view thereof; and,
FIG. 7 is a bottom plan view thereof.

1 Claim, 7 Drawing Sheets



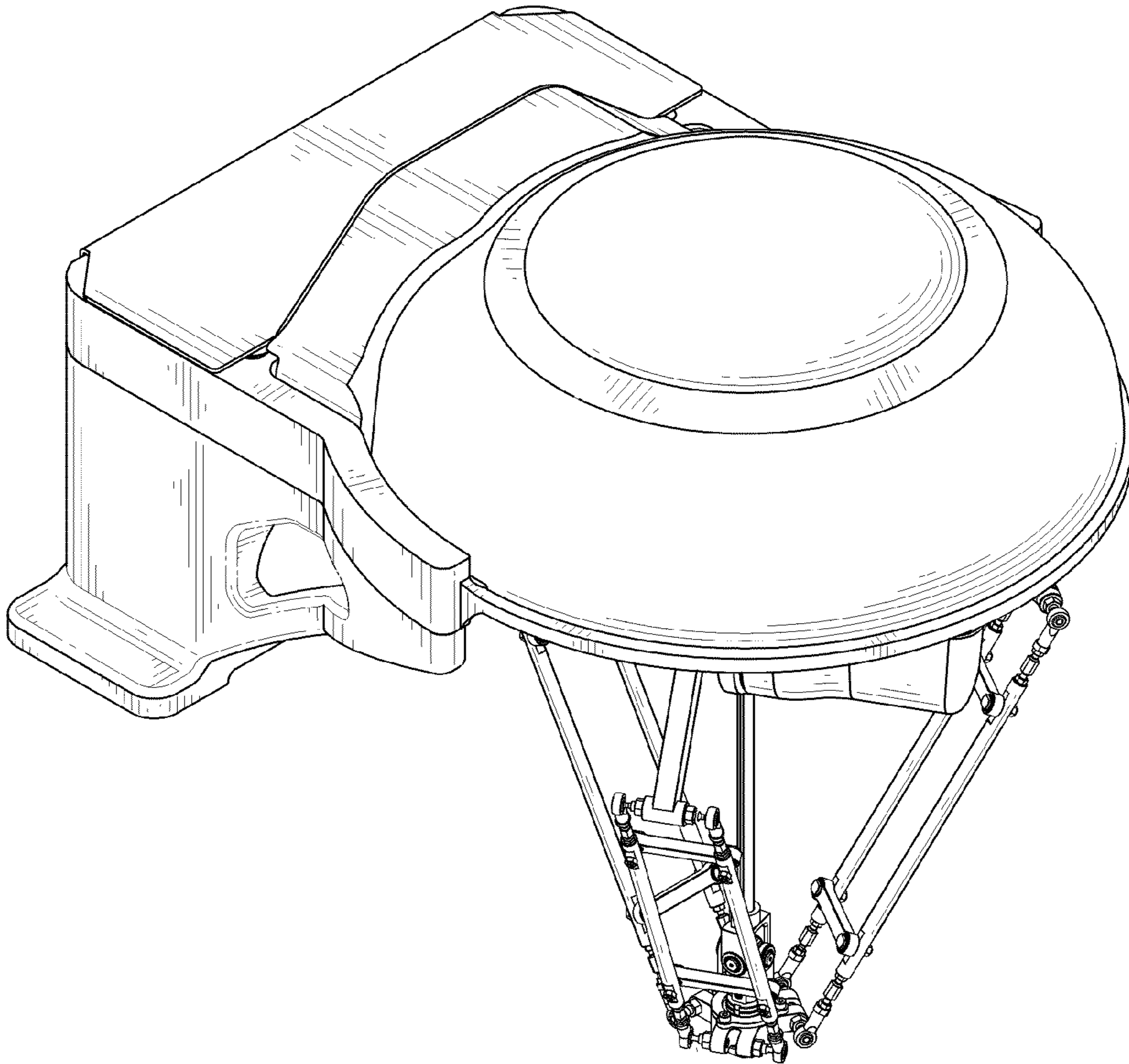


FIG. 1

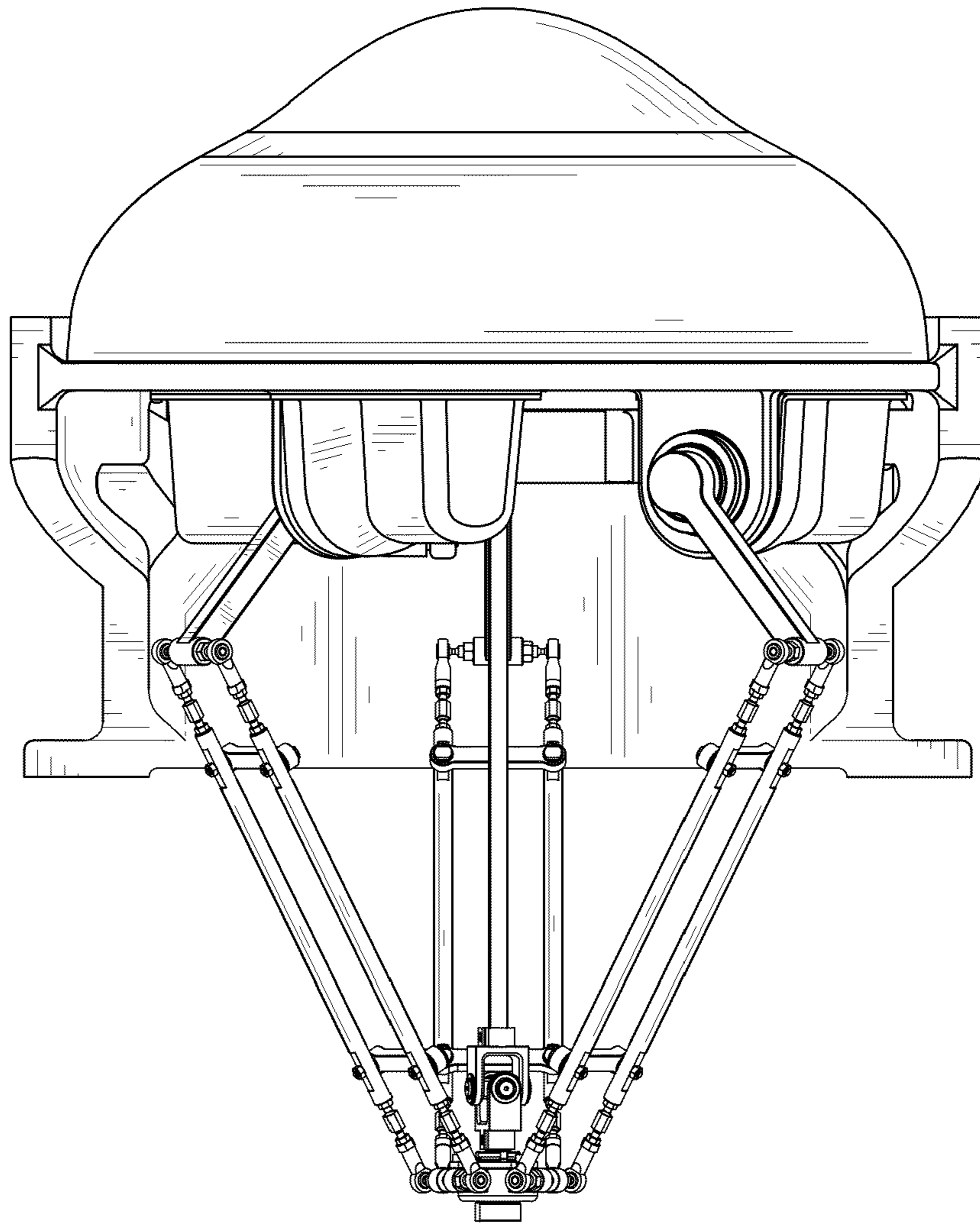


FIG. 2

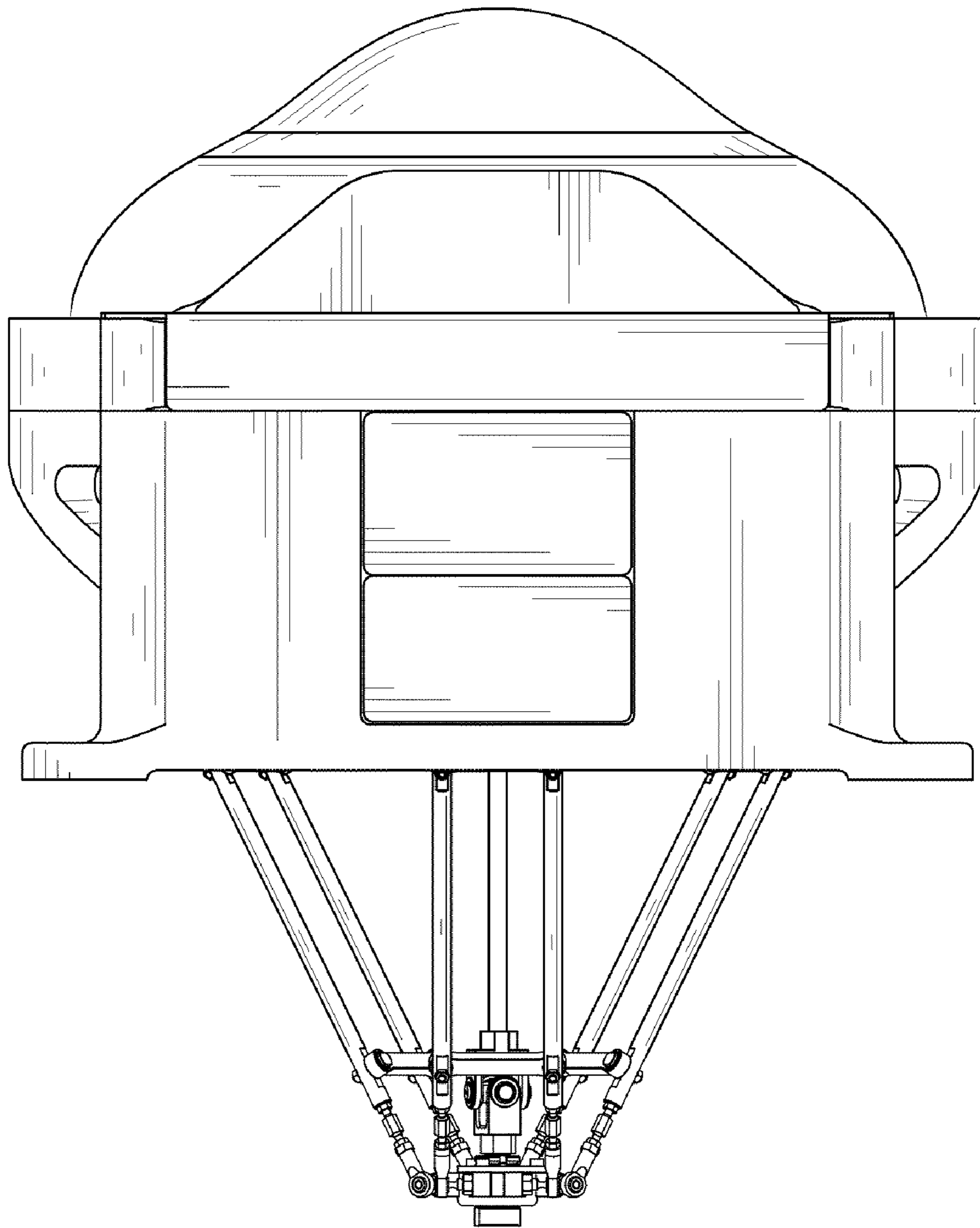


FIG. 3

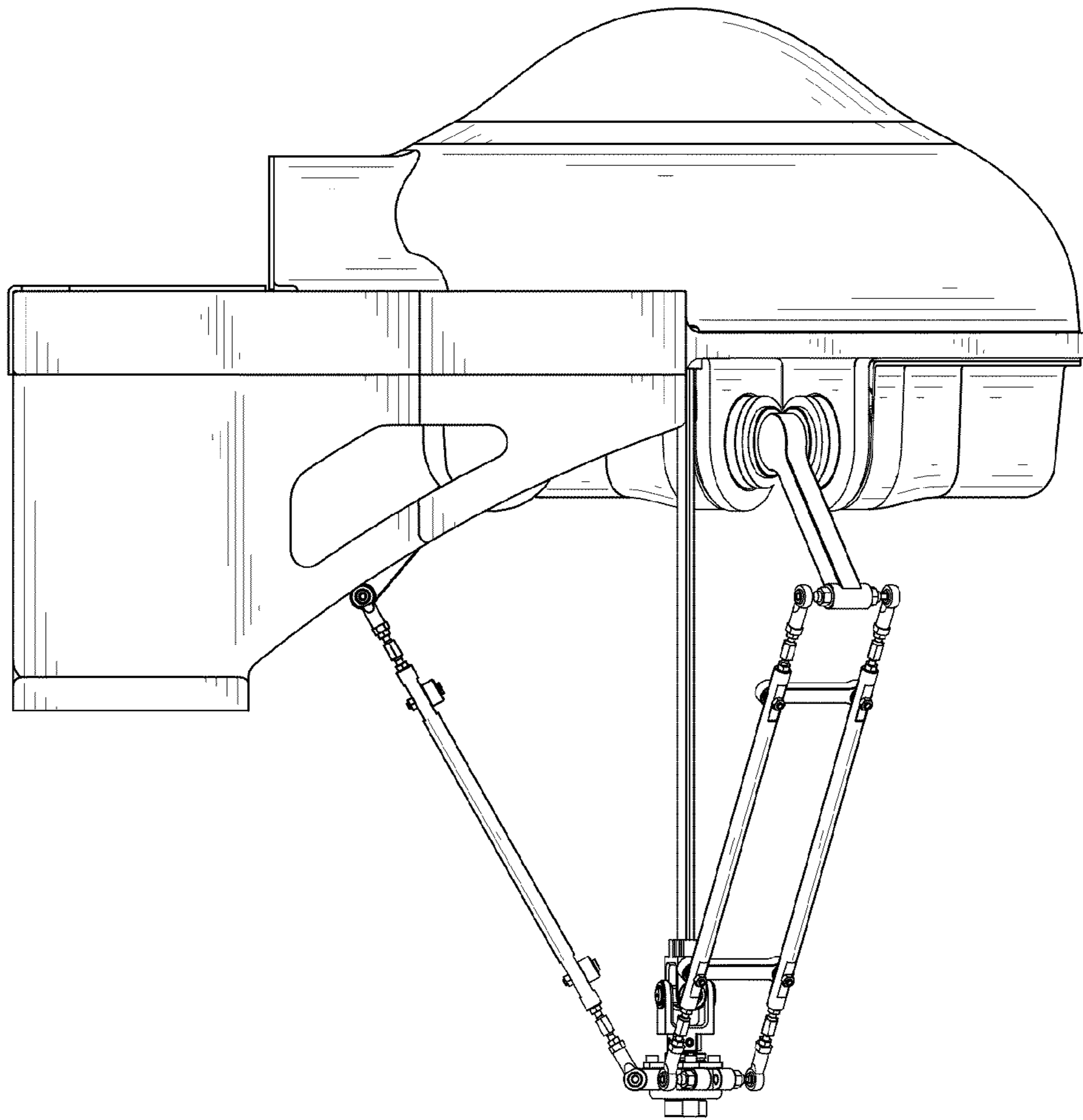


FIG. 4

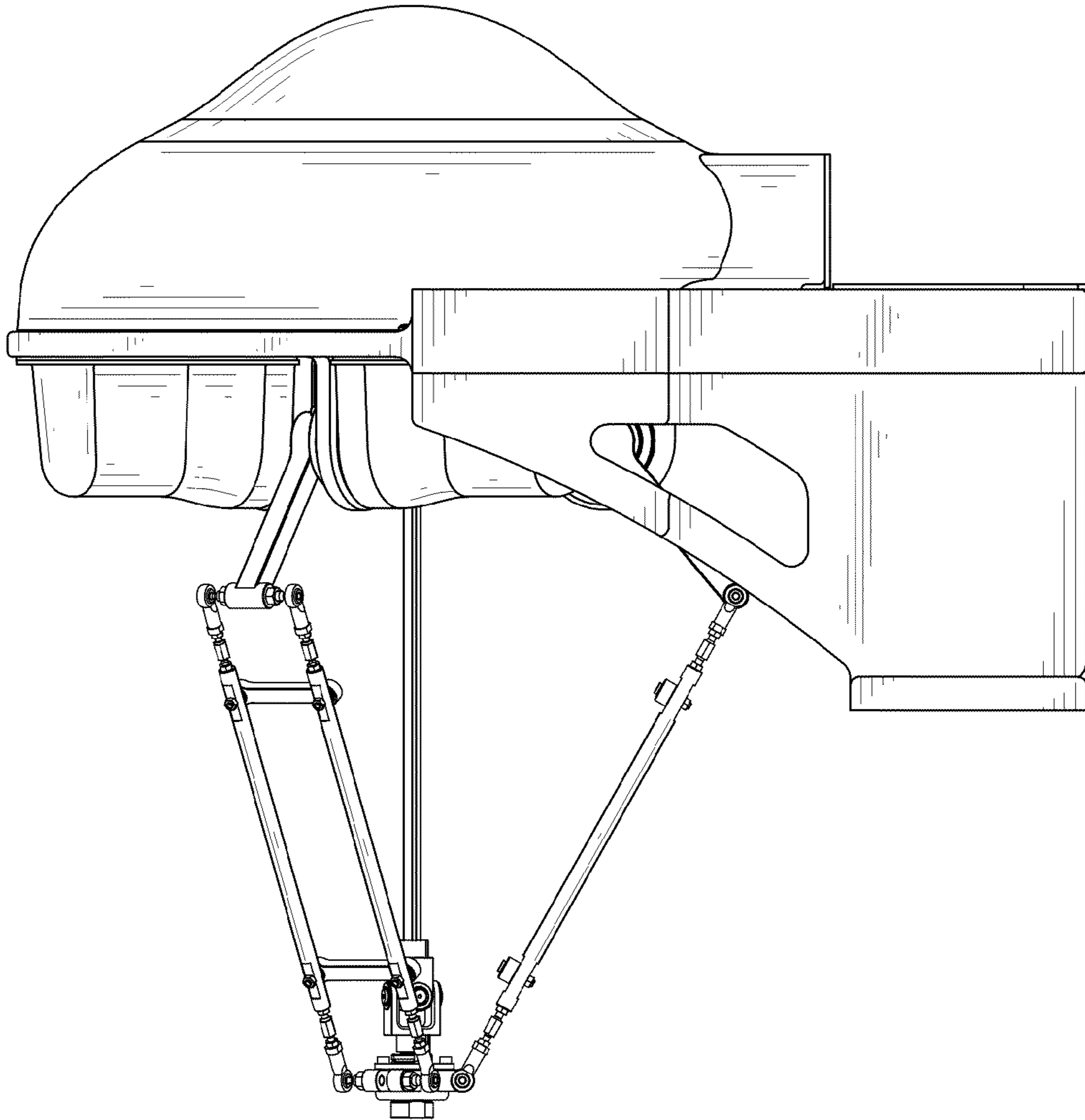


FIG. 5

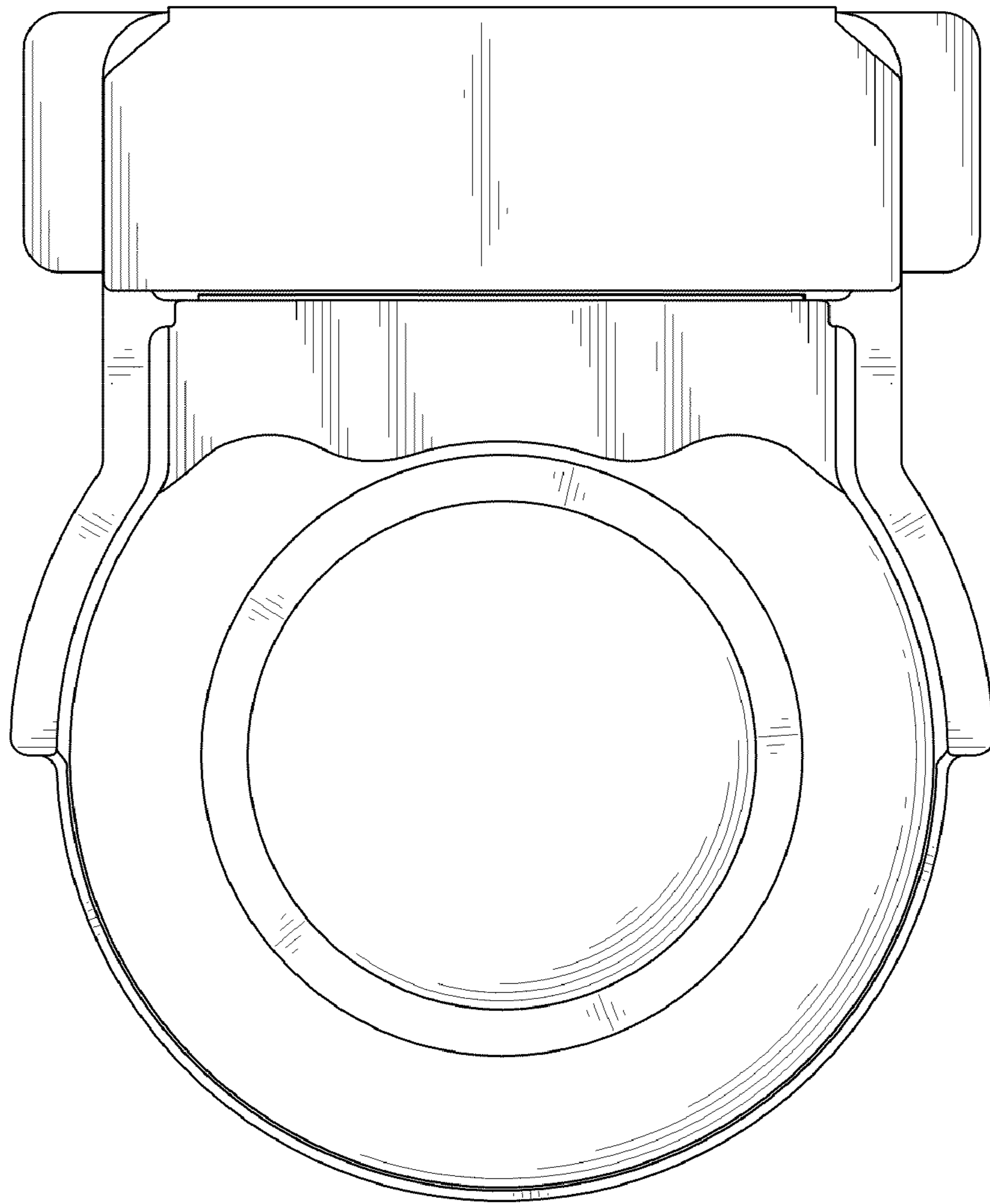


FIG. 6

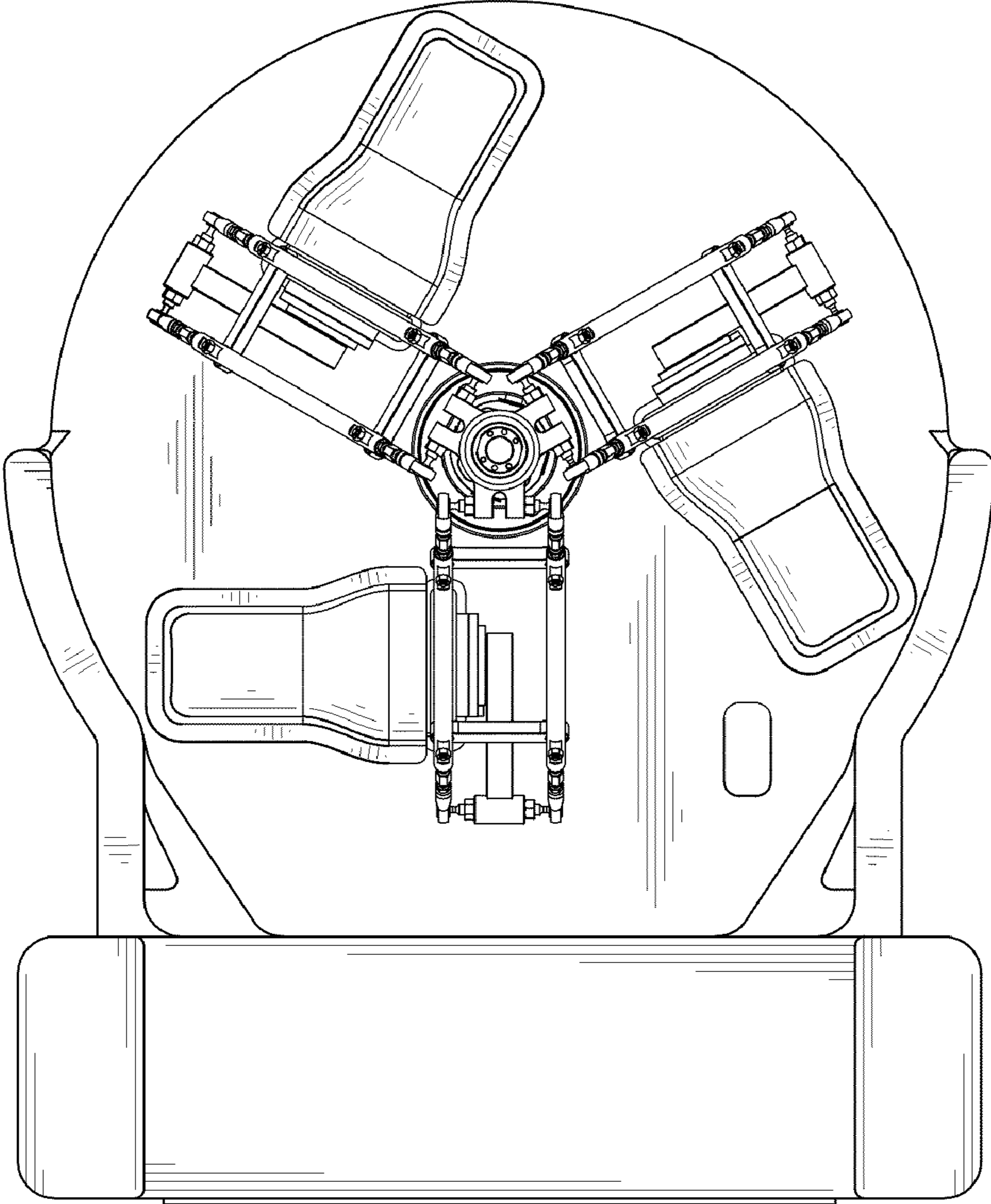


FIG. 7