



US00D650817S

(12) **United States Design Patent**  
**Schumacher**

(10) **Patent No.:** **US D650,817 S**

(45) **Date of Patent:** **\*\* Dec. 20, 2011**

(54) **MOUNTING PLATFORM FOR POLISHING MACHINE**

(75) Inventor: **Greg A. Schumacher**, Plainview, MN (US)

(73) Assignee: **Domaille Engineering, LLC**, Rochester, MN (US)

(\*\*) Term: **14 Years**

(21) Appl. No.: **29/330,171**

(22) Filed: **Dec. 30, 2008**

(51) **LOC (9) Cl.** ..... **15-09**

(52) **U.S. Cl.** ..... **D15/124**

(58) **Field of Classification Search** ..... D15/122,  
D15/124, 125, 126, 140; 51/283 R; 156/293;  
385/85, 134, 136, 137, 147; 451/41, 67,  
451/271, 364, 442

See application file for complete search history.

(56) **References Cited**

U.S. PATENT DOCUMENTS

4,979,334	A *	12/1990	Takahashi	.....	451/271
5,218,786	A	6/1993	Takahashi		
5,265,381	A	11/1993	Takahashi		
5,351,445	A	10/1994	Takahashi		
6,077,154	A	6/2000	Takashi et al.		
6,157,863	A *	12/2000	Chandler et al.	.....	700/56
6,217,420	B1 *	4/2001	Stocker et al.	.....	451/43
6,309,284	B1 *	10/2001	Chou et al.	.....	451/65
6,718,111	B1	4/2004	Suek et al.		
6,726,539	B2 *	4/2004	Nishi et al.	.....	451/41
6,808,314	B2	10/2004	Yamada et al.		

6,814,651	B2 *	11/2004	Enomoto et al.	.....	451/41
6,979,255	B2	12/2005	Yamada et al.		
7,001,080	B2	2/2006	Minami et al.		
7,063,602	B2 *	6/2006	Ling	.....	451/278
7,217,174	B1 *	5/2007	Medeiros	.....	451/41
D565,066	S	3/2008	Yamada et al.		
7,369,737	B2	5/2008	Yamada et al.		
D595,317	S *	6/2009	Dinsdale	.....	D15/124
7,942,726	B2 *	5/2011	Ling	.....	451/271

\* cited by examiner

*Primary Examiner* — Patricia Palasik

(74) *Attorney, Agent, or Firm* — Fredrickson & Byron, PA

(57) **CLAIM**

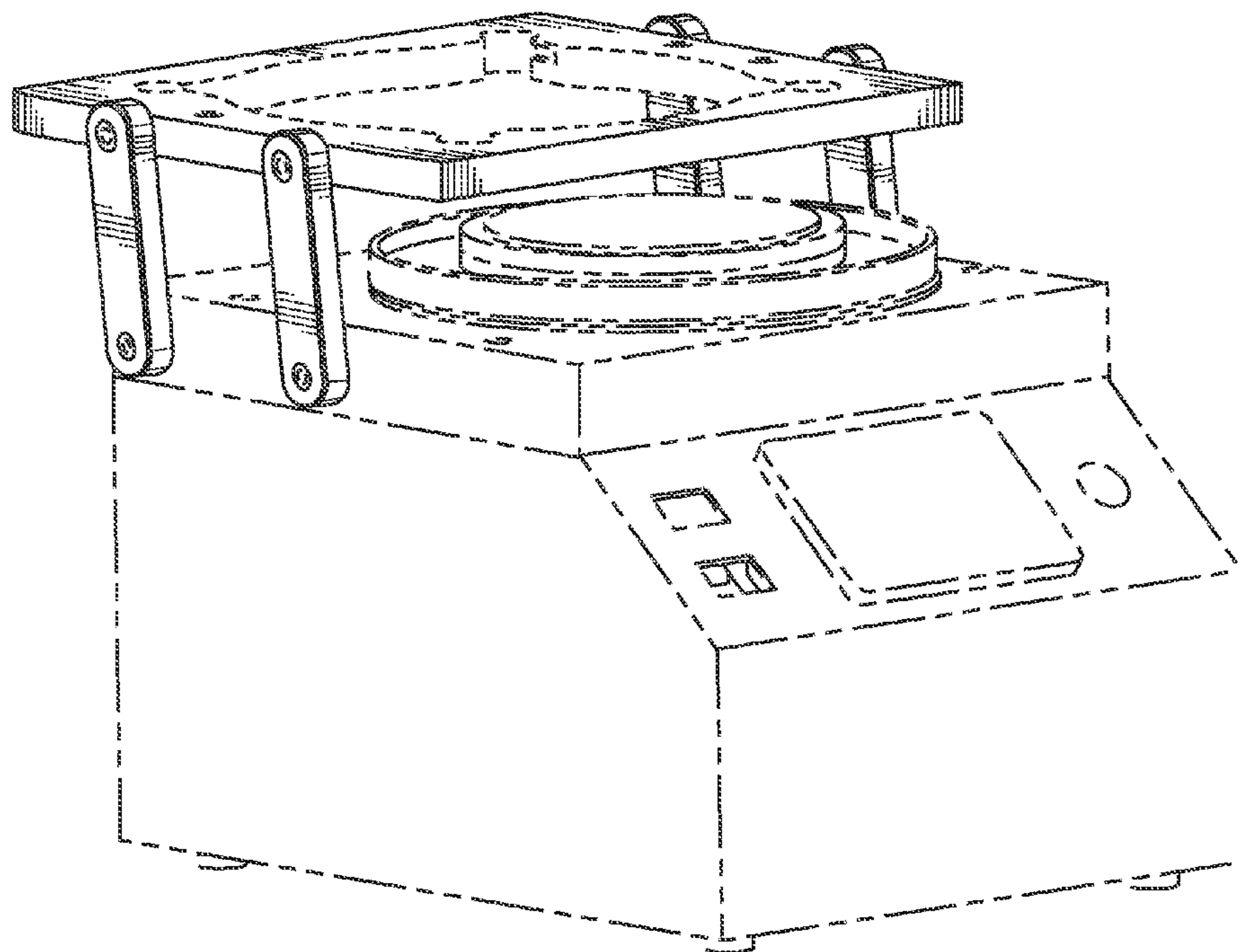
I claim the ornamental design for the mounting platform for a polishing machine, as shown and described.

**DESCRIPTION**

FIG. 1 is a first perspective view of the mounting platform of my new design;  
FIG. 2 is a second perspective view thereof;  
FIG. 3 is a bottom view thereof;  
FIG. 4 is a top view thereof;  
FIG. 5 is a side elevation view thereof, the other side elevation view being a mirror image thereof;  
FIG. 6 is a front view thereof; and,  
FIG. 7 is a back view thereof.

Where included, broken lines showing environment or structure are for illustrative purposes only and form no part of the claimed design. The dot-dot-dot lines adjacent the shaded areas represent the boundaries of the claimed design, while the dash-dot-dot broken lines depict environmental subject matter only, and form no part of the claimed design.

**1 Claim, 7 Drawing Sheets**



*Fig. 1*

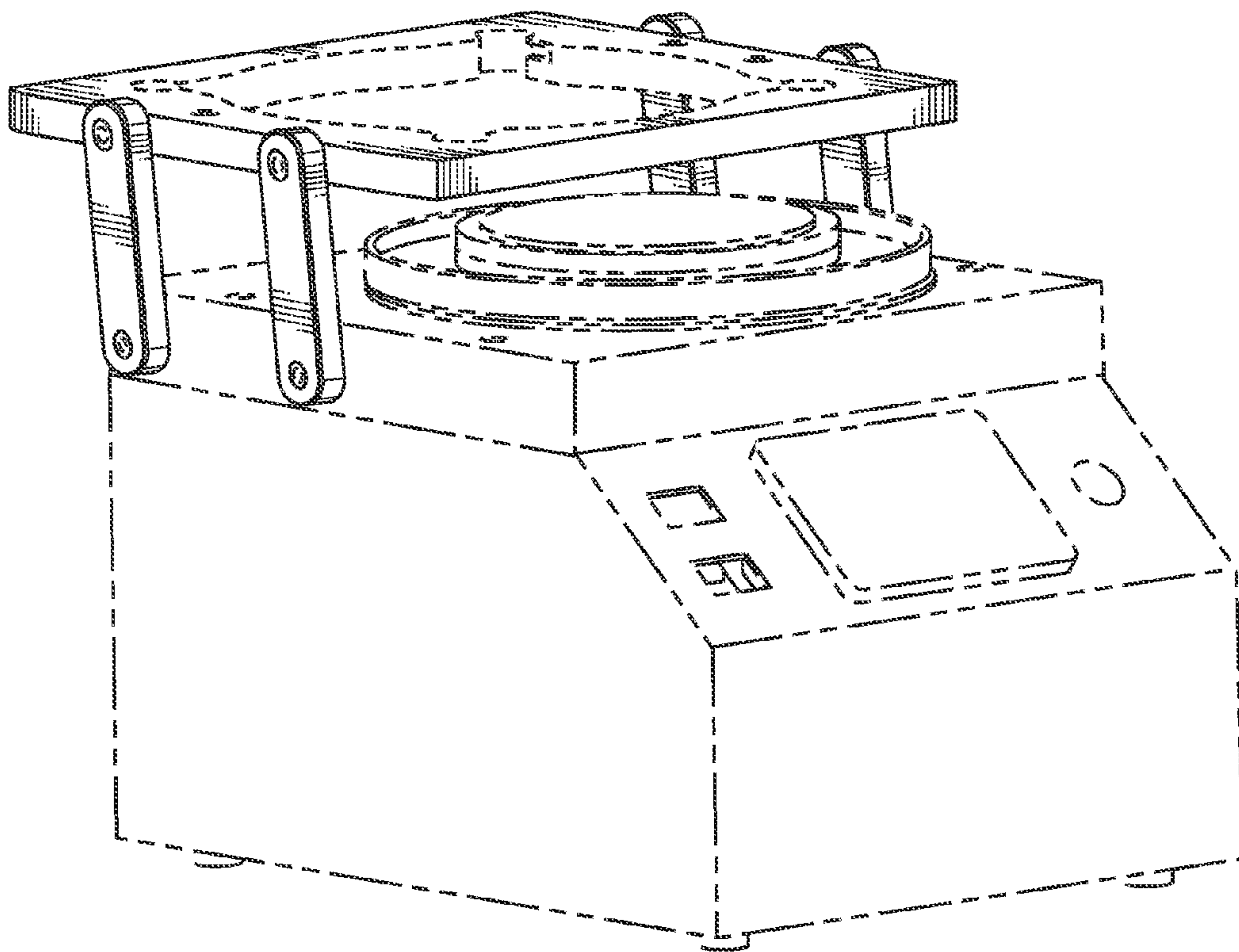


Fig. 2

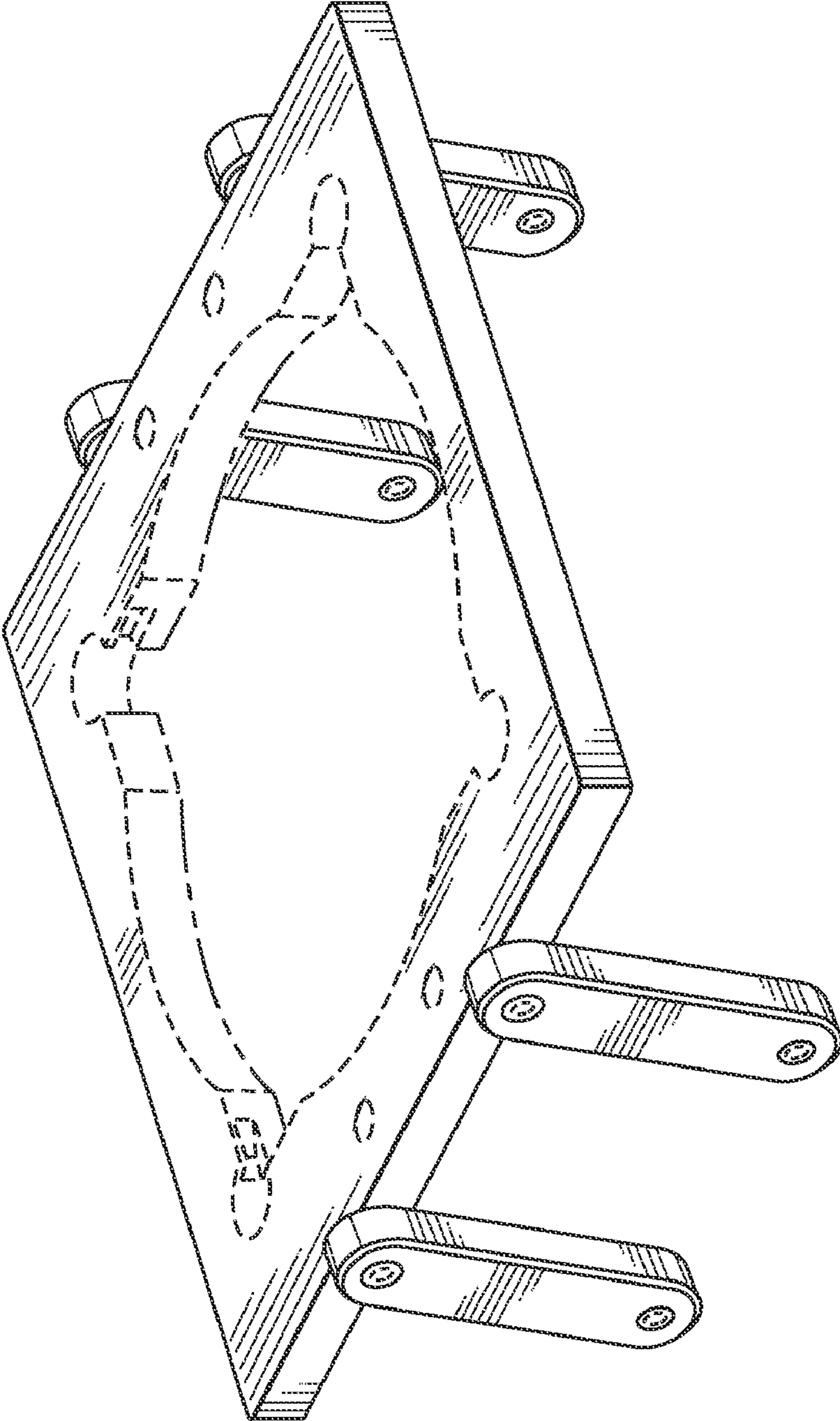


Fig. 3

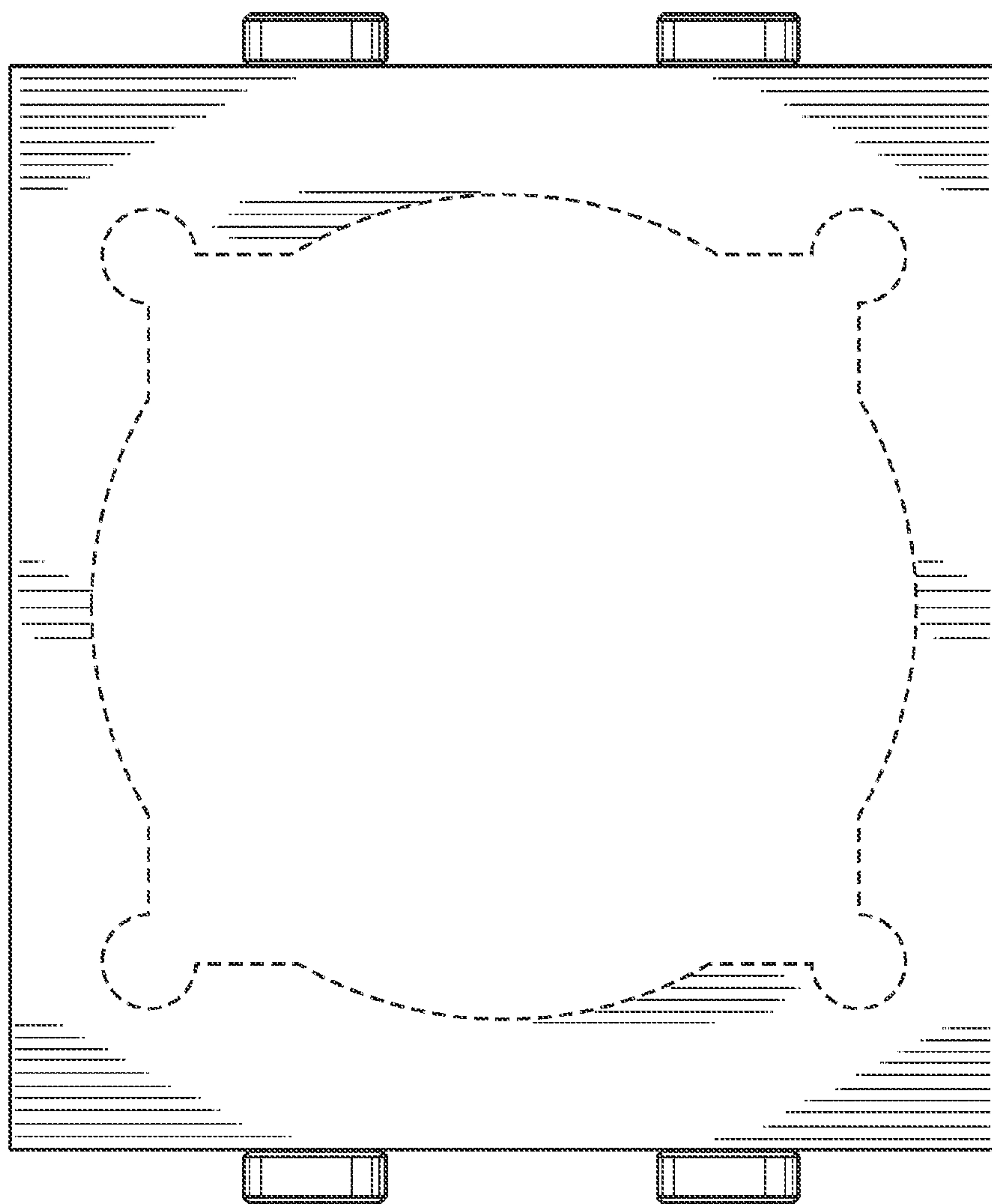
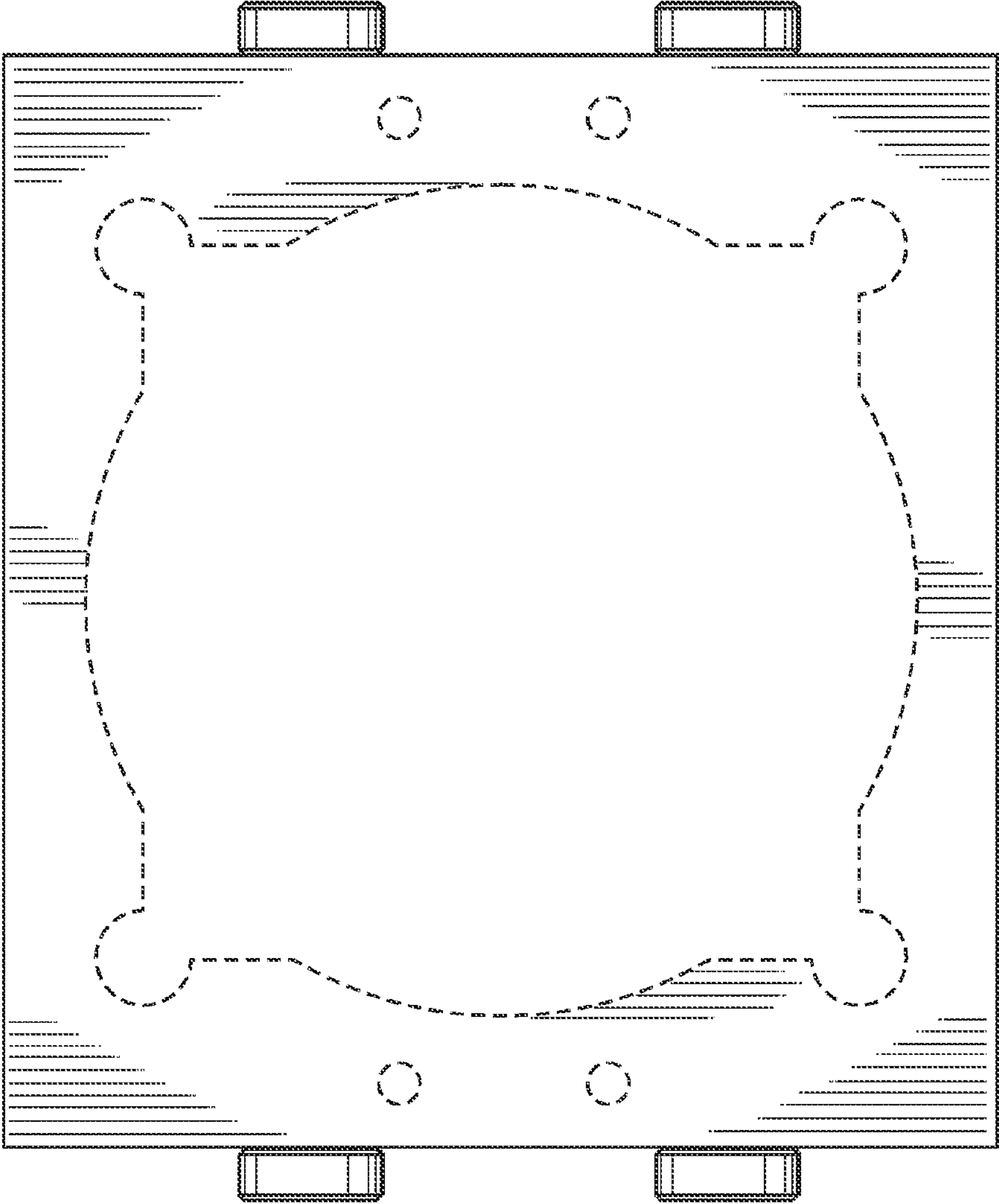
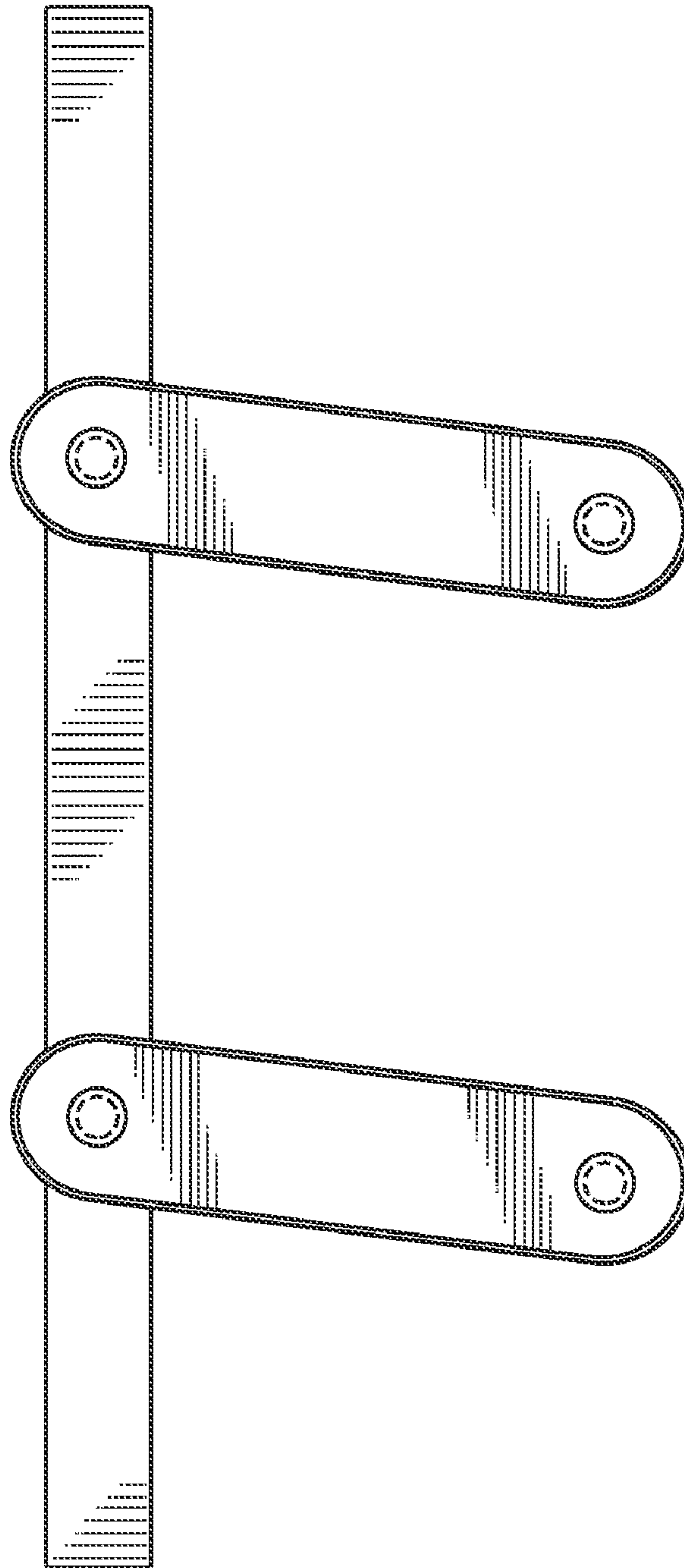




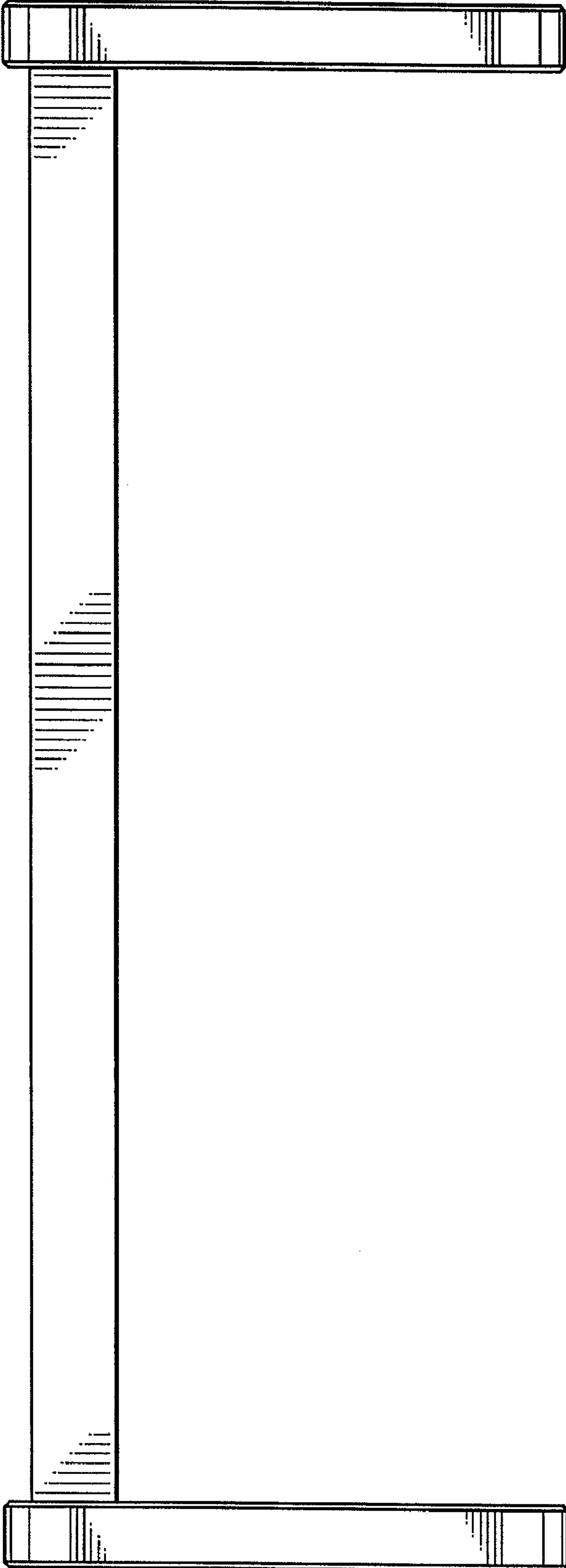
Fig. 4



*Fig. 5*



**Fig. 6**



**Fig. 7**

