



US00D650816S

(12) **United States Design Patent**
Koponen et al.

(10) **Patent No.:** **US D650,816 S**

(45) **Date of Patent:** **** Dec. 20, 2011**

(54) **CABIN**

(75) Inventors: **Sami Olavi Koponen**, Helsinki (FI);
Johannes Antton Tarkiainen, Hyvinkaa (FI)

(73) Assignee: **Konecranes Plc** (FI)

(**) Term: **14 Years**

(21) Appl. No.: **29/394,906**

(22) Filed: **Jun. 22, 2011**

(30) **Foreign Application Priority Data**

May 19, 2011 (WO) 604467901

(51) **LOC (9) Cl.** **15-03**

(52) **U.S. Cl.** **D15/30**

(58) **Field of Classification Search** D15/10,
D15/22-26, 28, 30, 31; 180/89.11, 89.12,
180/89.13, 89.19, 900; 296/190.01, 190.08,
296/210, 190, 202

See application file for complete search history.

(56) **References Cited**

U.S. PATENT DOCUMENTS

D275,199	S	*	8/1984	Schmidt et al.	D15/30
5,096,253	A	*	3/1992	Jo et al.	296/190.1
D366,267	S	*	1/1996	Lepoix	D15/30
D389,984	S	*	1/1998	Johansson	D34/37
D394,069	S	*	5/1998	Muranen	D15/30
D427,612	S	*	7/2000	Shim	D15/23
D463,807	S	*	10/2002	Tamaru et al.	D15/30
D523,875	S	*	6/2006	Kim	D15/30
D528,134	S	*	9/2006	Vandendriessche et al.	..	D15/30
D535,310	S	*	1/2007	Kuwae et al.	D15/30
D541,825	S	*	5/2007	Pettersson	D15/30

D548,753	S	*	8/2007	Kim	D15/30
D555,677	S	*	11/2007	Kuwae et al.	D15/30
D561,205	S	*	2/2008	Pettersson	D15/30
D571,378	S	*	6/2008	Bernard et al.	D15/30
D577,040	S	*	9/2008	Kim	D15/30
D579,028	S	*	10/2008	VanDeVeer et al.	D15/30
D594,036	S	*	6/2009	Iwakata et al.	D15/30
D594,037	S	*	6/2009	Uemura	D15/30
D594,480	S	*	6/2009	Gicquel et al.	D15/30
D596,204	S	*	7/2009	Kuwae et al.	D15/30
D605,207	S	*	12/2009	Menges et al.	D15/30
D614,674	S	*	4/2010	Hobenshield et al.	D15/30
D629,429	S	*	12/2010	Wakamatsu	D15/30
D642,205	S	*	7/2011	Yamamoto et al.	D15/30

* cited by examiner

Primary Examiner — Mark Goodwin

(74) *Attorney, Agent, or Firm* — Holland & Hart LLP

(57) **CLAIM**

The ornamental design for a cabin, as shown and described.

DESCRIPTION

FIG. 1 is a front perspective view of the cabin, showing our new design;

FIG. 2 is a front elevation view of the design illustrated in FIG. 1;

FIG. 3 is a left side elevation view of the design illustrated in FIG. 1;

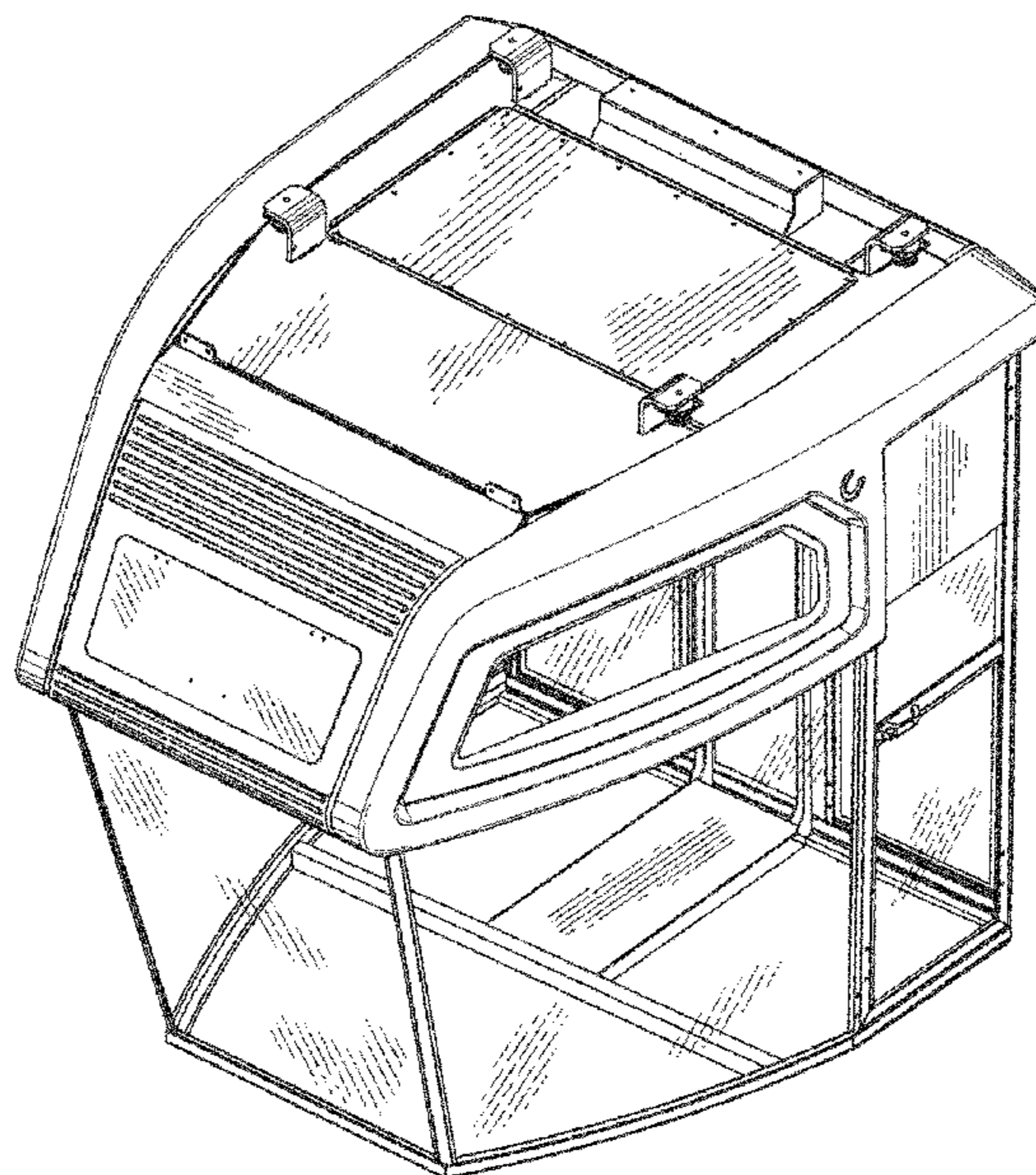
FIG. 4 is a right side elevation view of the design illustrated in FIG. 1;

FIG. 5 is a rear elevation view of the design illustrated in FIG. 1;

FIG. 6 is a top plan view of the design illustrated in FIG. 1; and,

FIG. 7 is a bottom plan view of the design illustrated in FIG. 1.

1 Claim, 7 Drawing Sheets



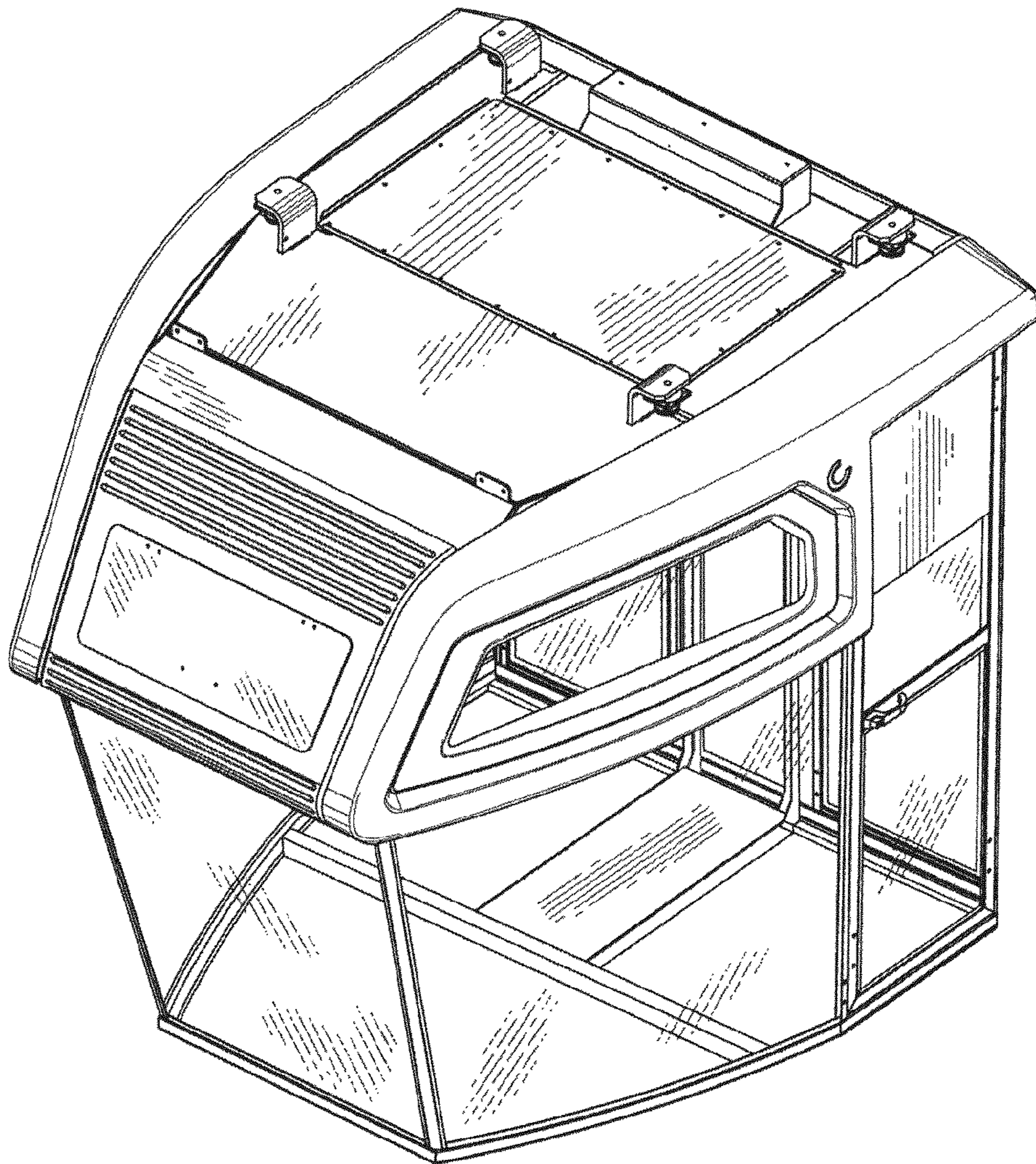


FIG 1

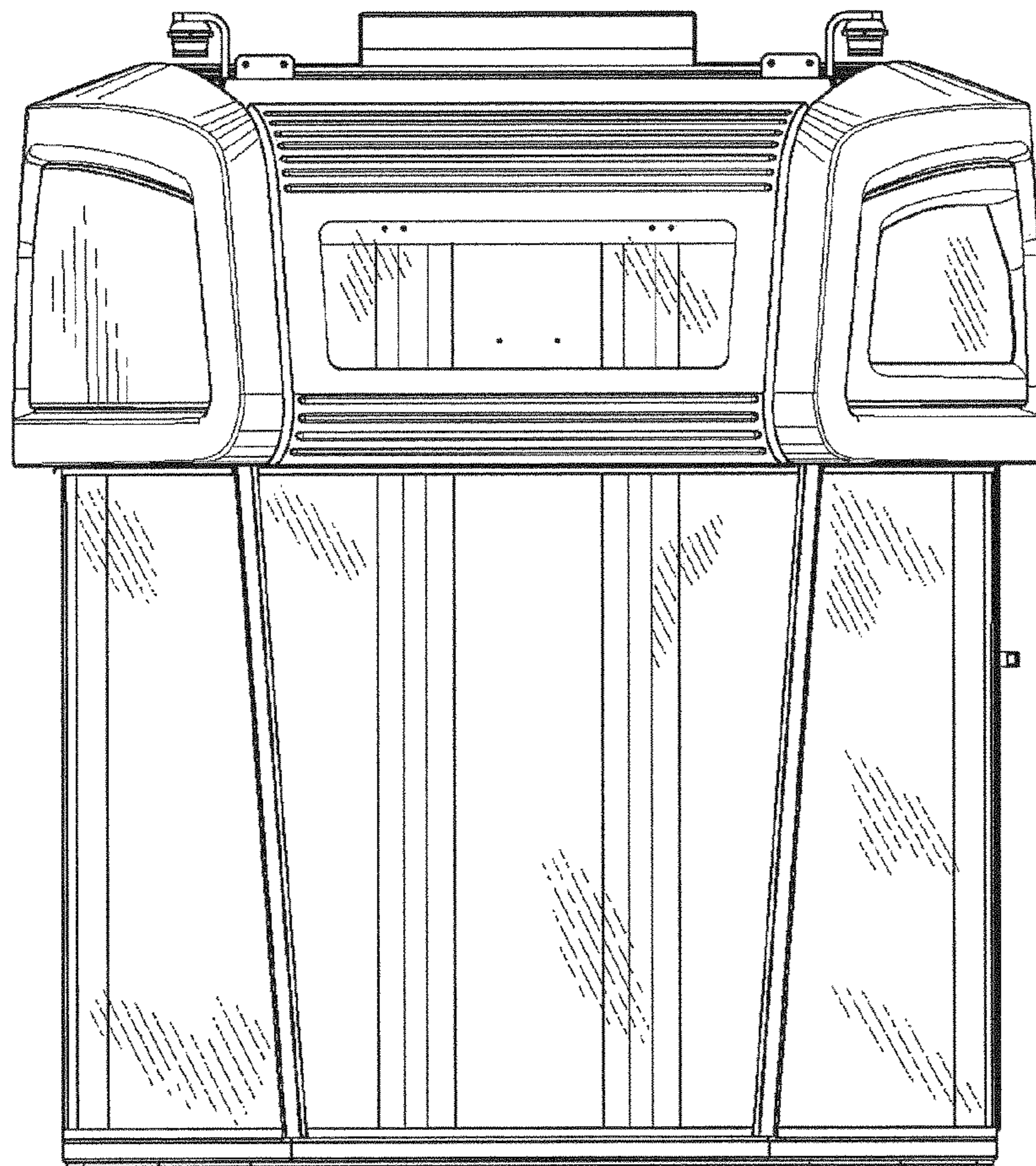


FIG 2

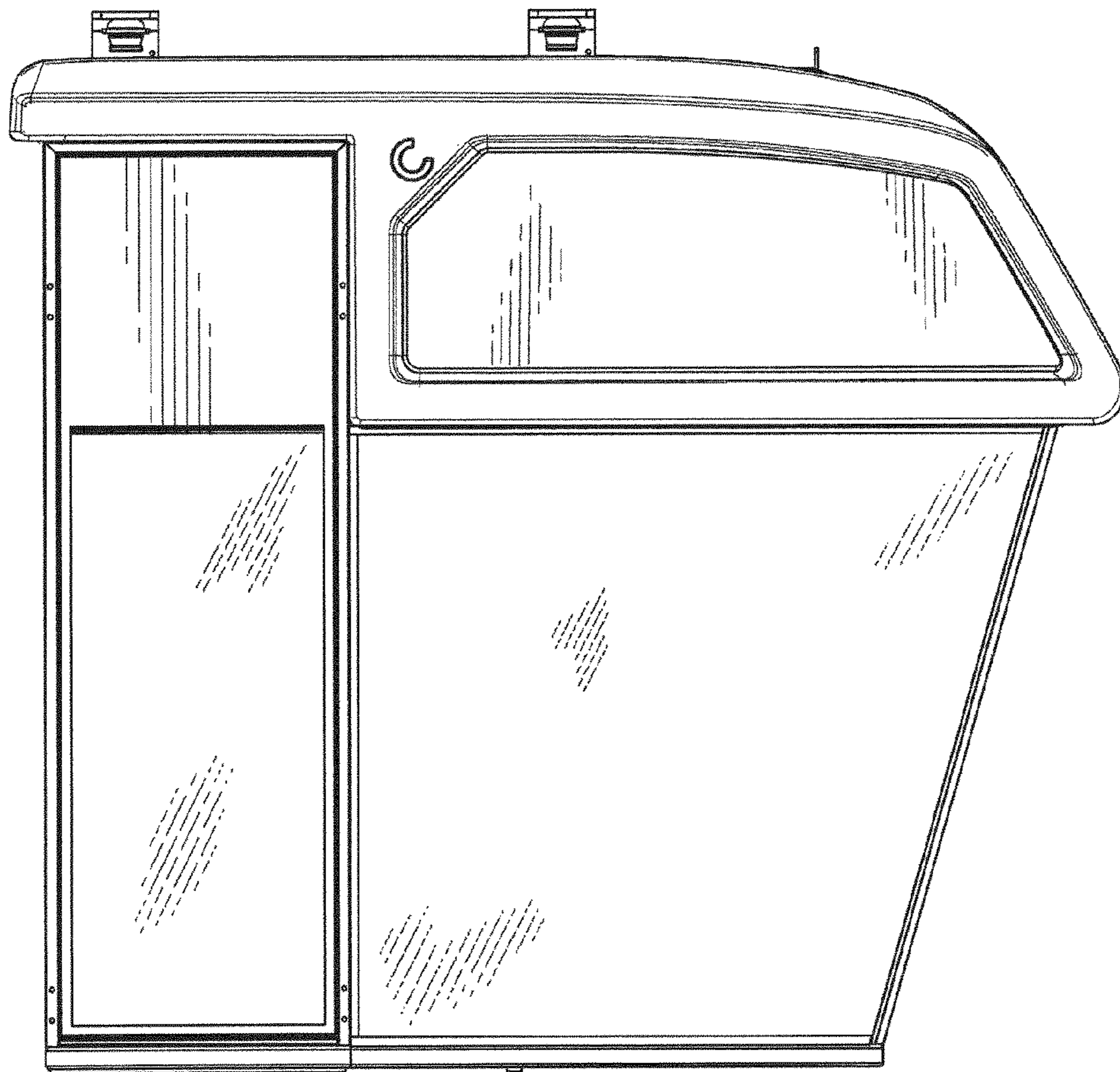


FIG 3

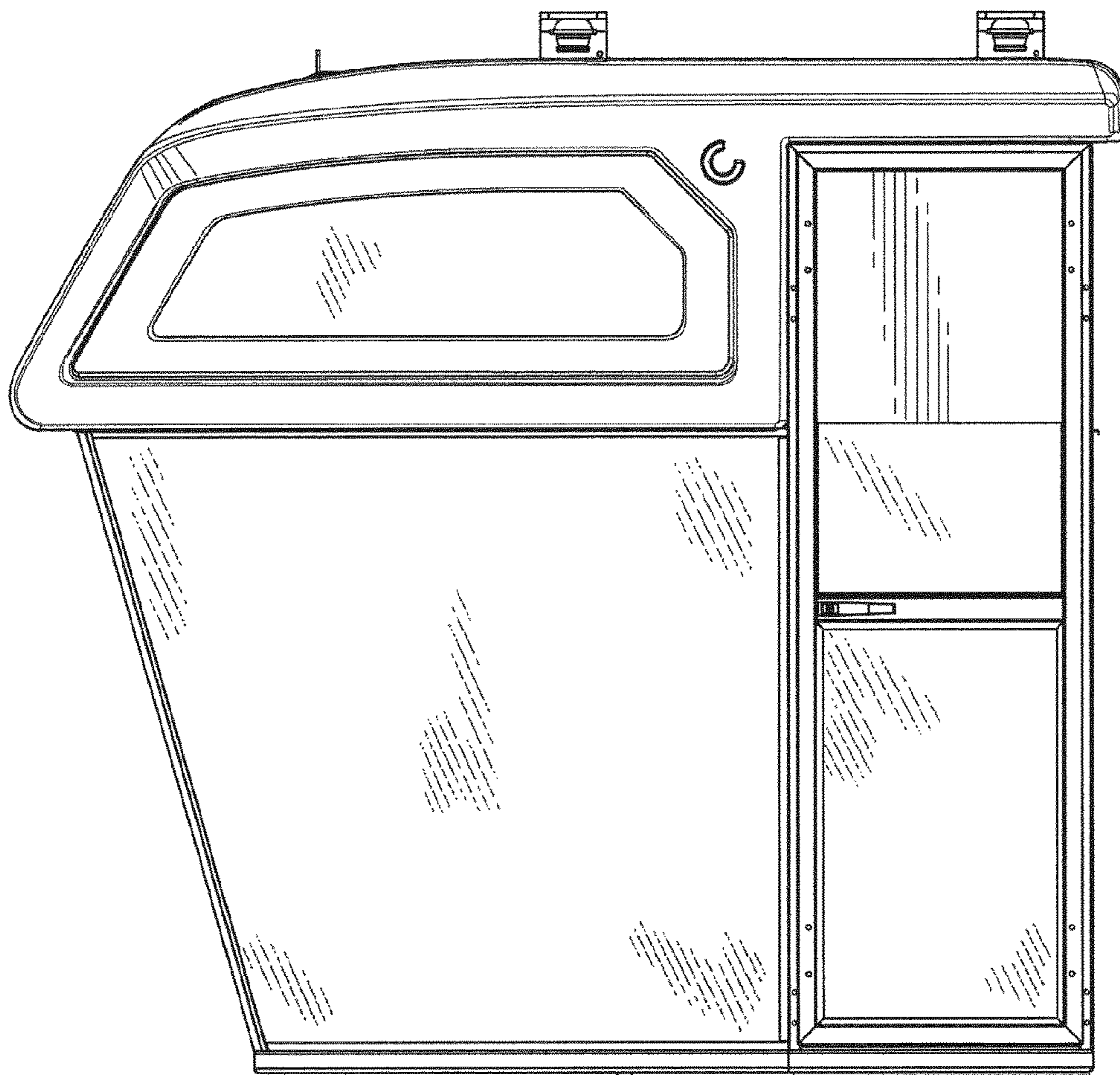


FIG 4

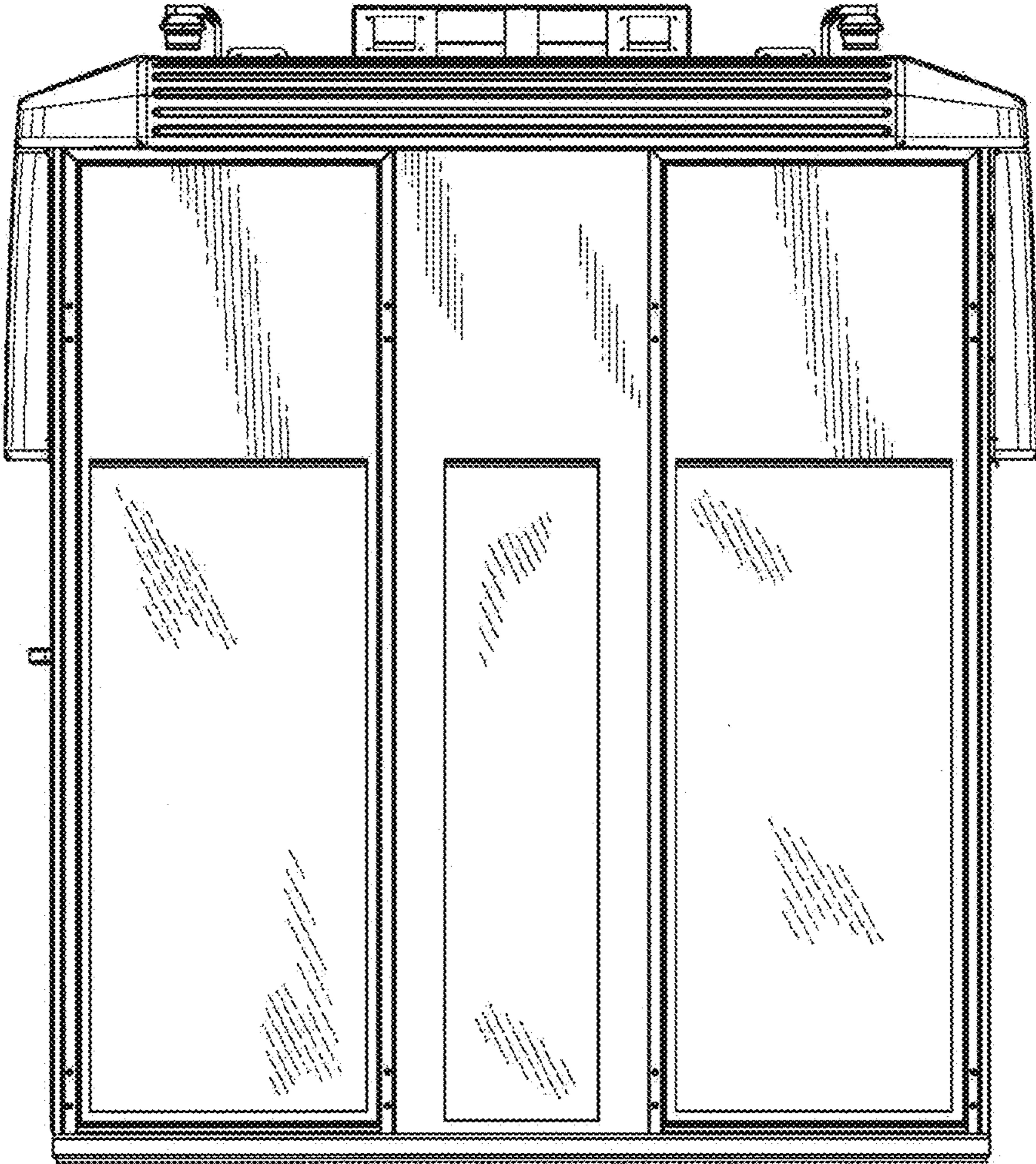


FIG 5

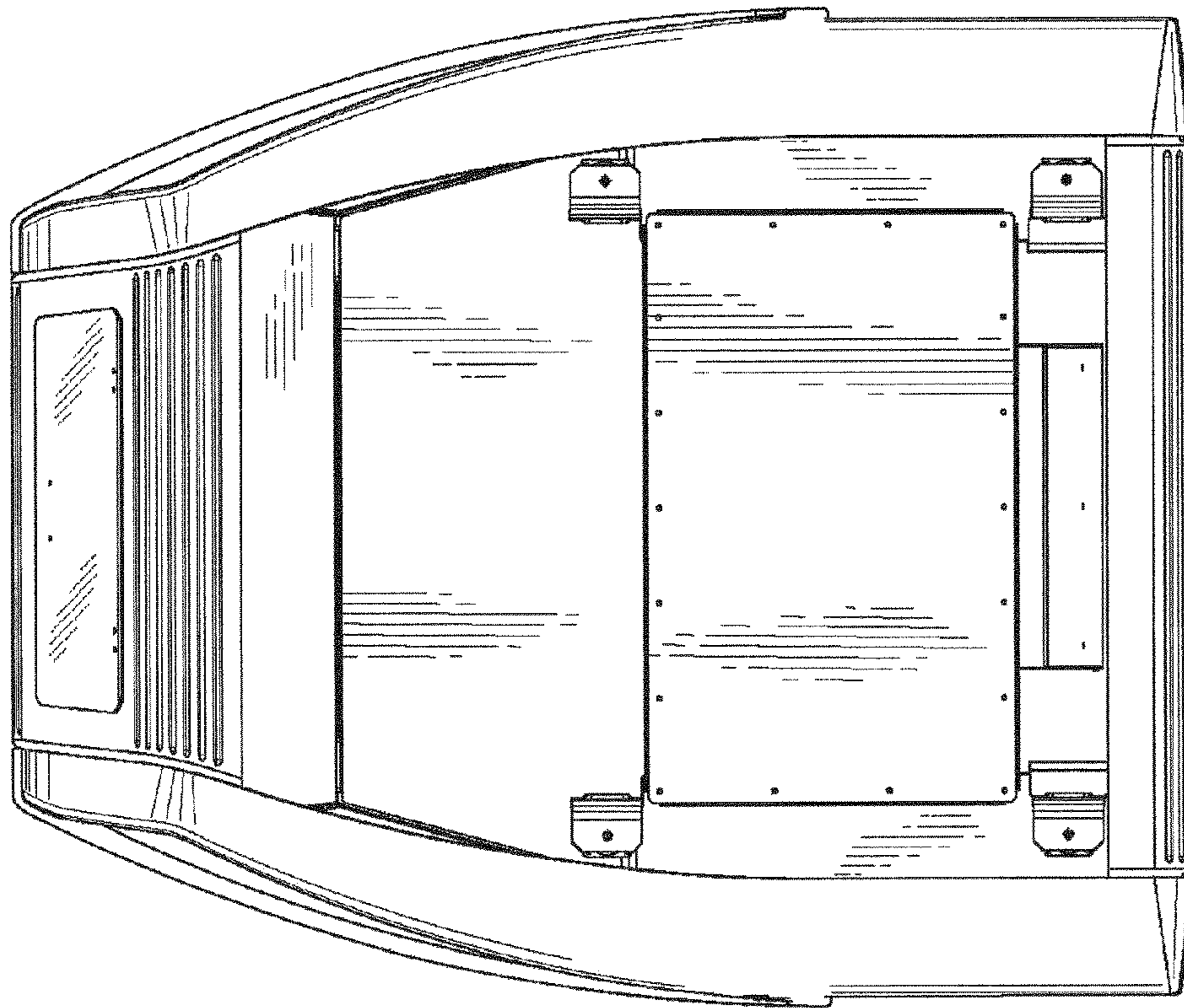


FIG 6

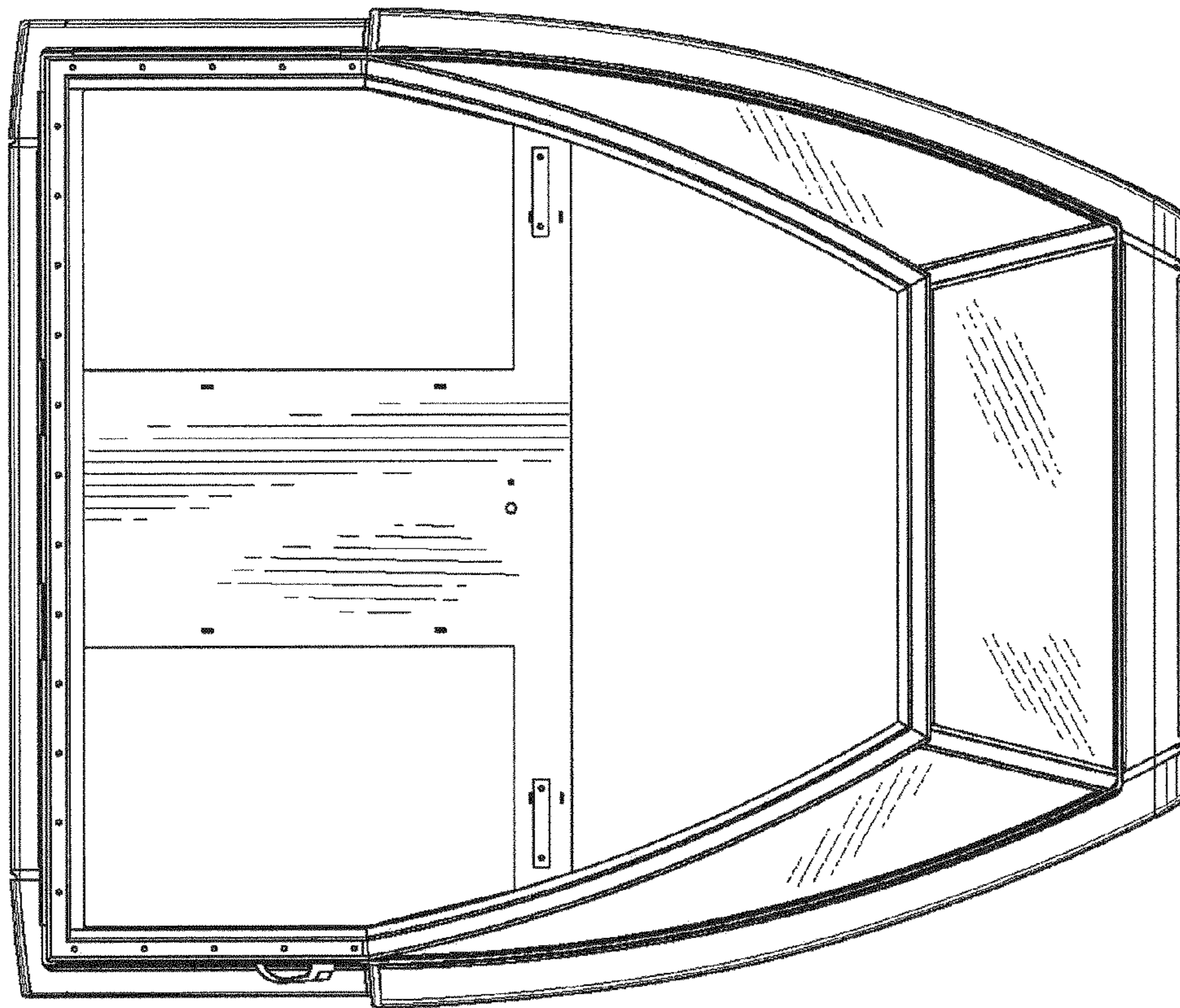


FIG 7