



US00D650813S

(12) **United States Design Patent**
Varini

(10) **Patent No.:** **US D650,813 S**

(45) **Date of Patent:** **** Dec. 20, 2011**

(54) **PUMP**

(75) Inventor: **Otto Varini**, Suzzara (IT)

(73) Assignee: **Piusi S.p.A.**, Suzzara (IT)

(**) Term: **14 Years**

(21) Appl. No.: **29/371,629**

(22) Filed: **Jun. 9, 2011**

(30) **Foreign Application Priority Data**

Jan. 3, 2011 (EM) 001253066

(51) **LOC (9) Cl.** **15-01**

(52) **U.S. Cl.** **D15/7**

(58) **Field of Classification Search** D15/7-9;

D23/231, 232, 225; 417/410.1, 359, 415-416,

417/234, 321, 265, 405

See application file for complete search history.

(56) **References Cited**

U.S. PATENT DOCUMENTS

D339,810 S * 9/1993 Hansen D15/7

D419,567 S * 1/2000 Weiss D15/7

D447,148 S * 8/2001 Antony et al. D15/7

D516,583 S * 3/2006 Strong D15/7

D590,842 S * 4/2009 Clark et al. D15/7

D603,870 S * 11/2009 Mehnert et al. D15/7

D604,745 S * 11/2009 Sinico D15/7

* cited by examiner

Primary Examiner — Ralf Seifert

(74) *Attorney, Agent, or Firm* — Modiano & Associati;
Albert Josif; Daniel O’Byrne

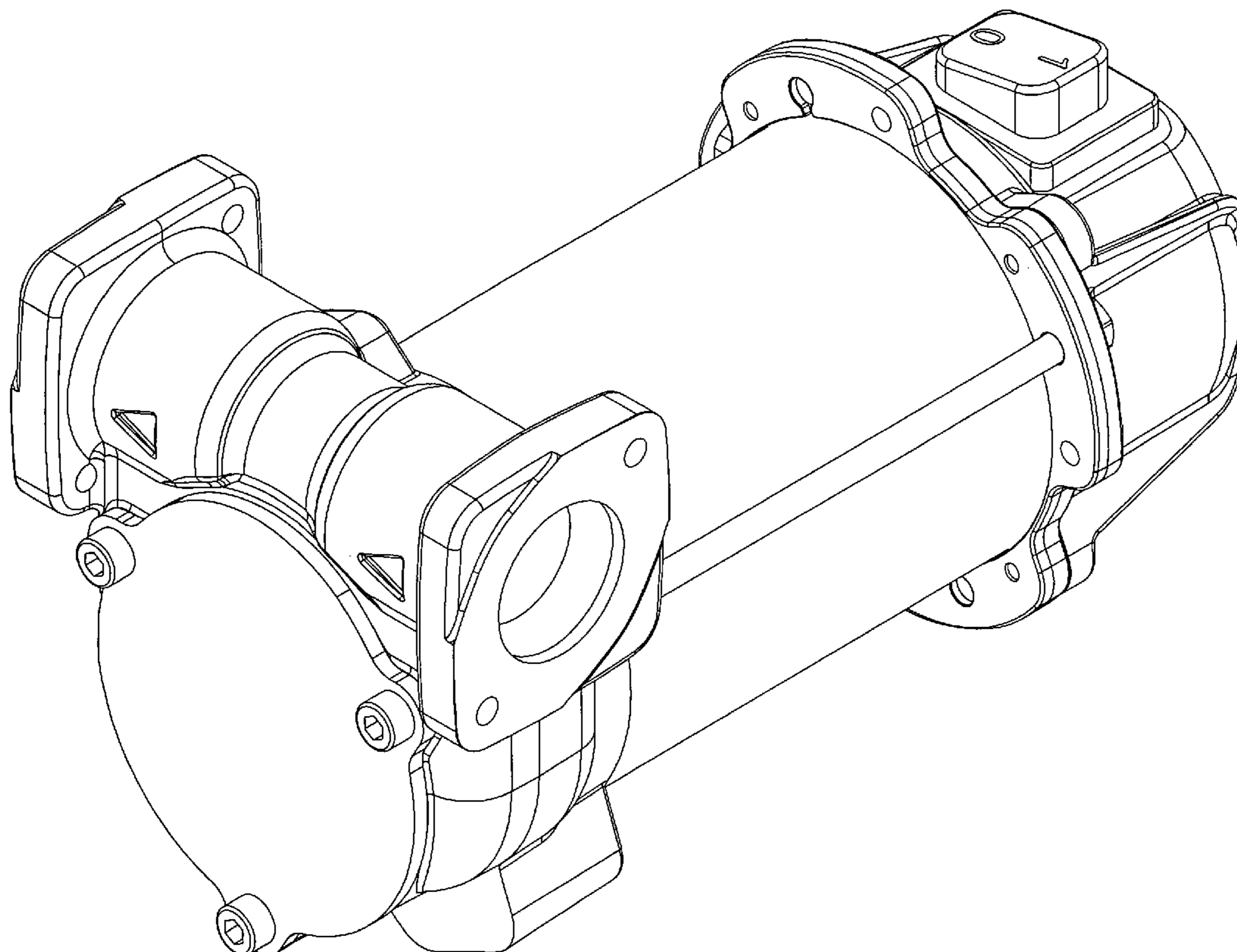
(57) **CLAIM**

The ornamental design for the “pump,” as shown and described.

DESCRIPTION

FIG. 1 is a front perspective view of the pump;
FIG. 2 is a front elevation view of the pump;
FIG. 3 is a rear elevation view of the pump;
FIG. 4 is a left side view of the pump;
FIG. 5 is a right side view of the pump;
FIG. 6 is a plan view of the pump, taken from above; and,
FIG. 7 is a plan view of the pump, taken from below.

1 Claim, 7 Drawing Sheets



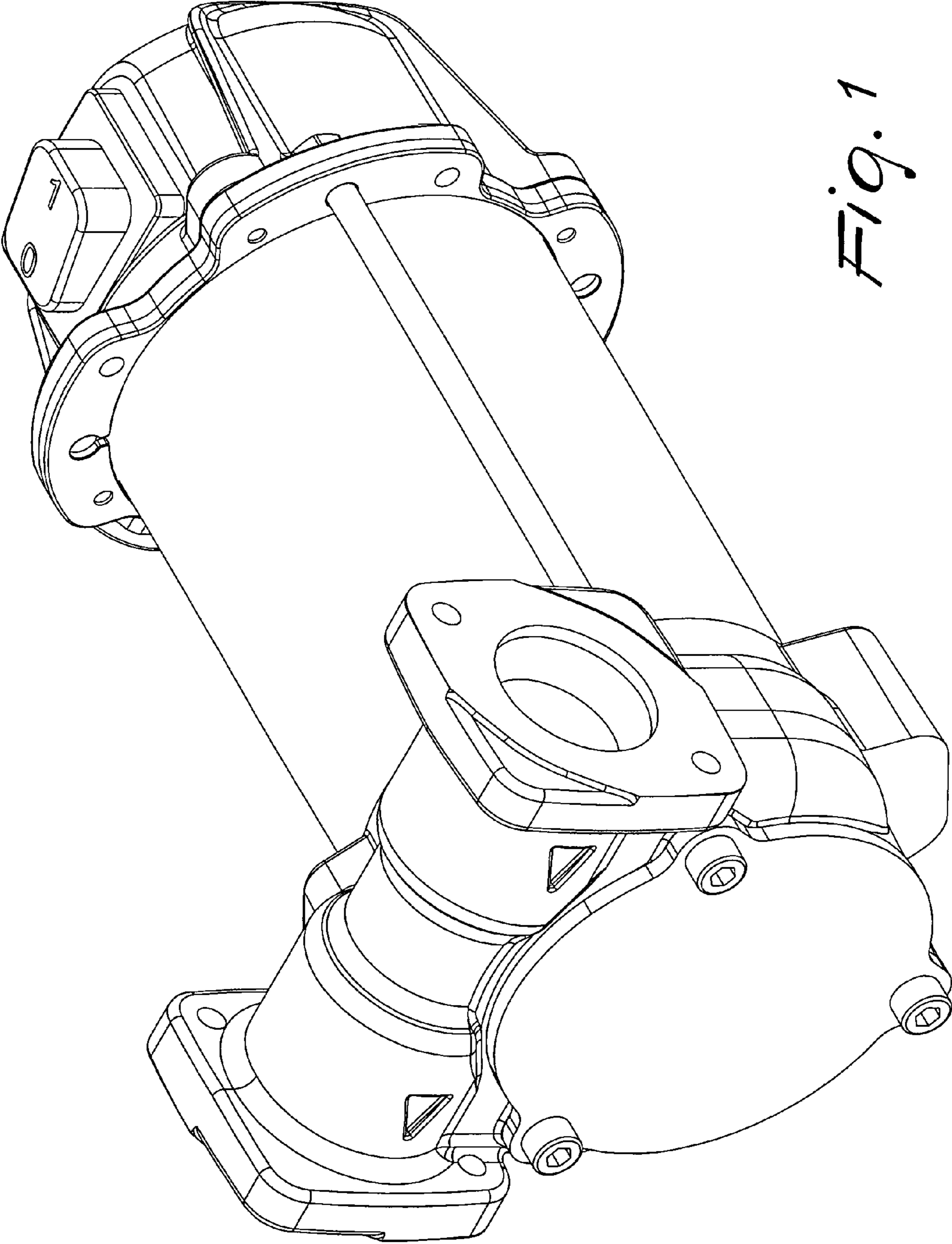


Fig. 1

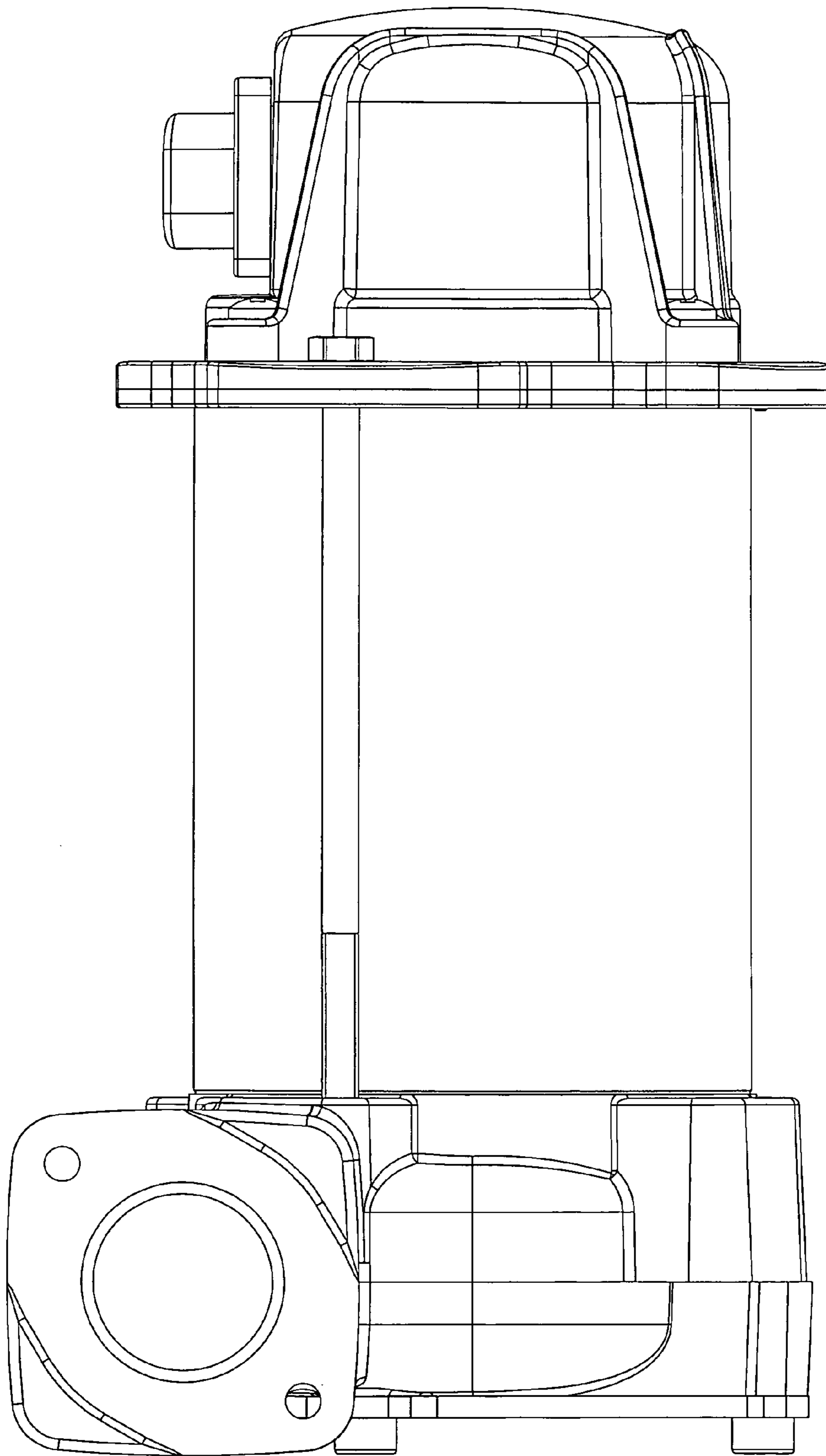


Fig. 2

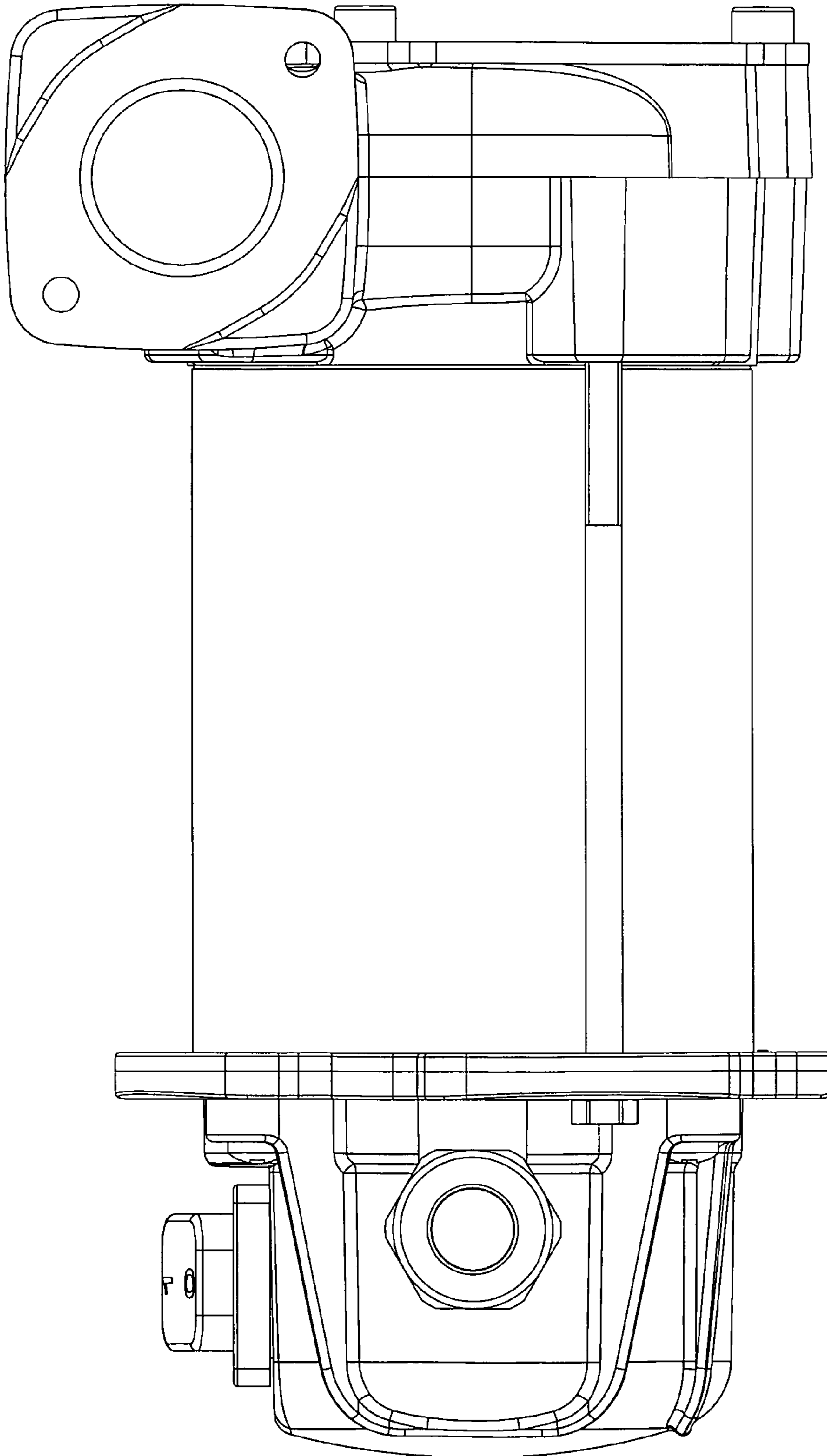


Fig. 3

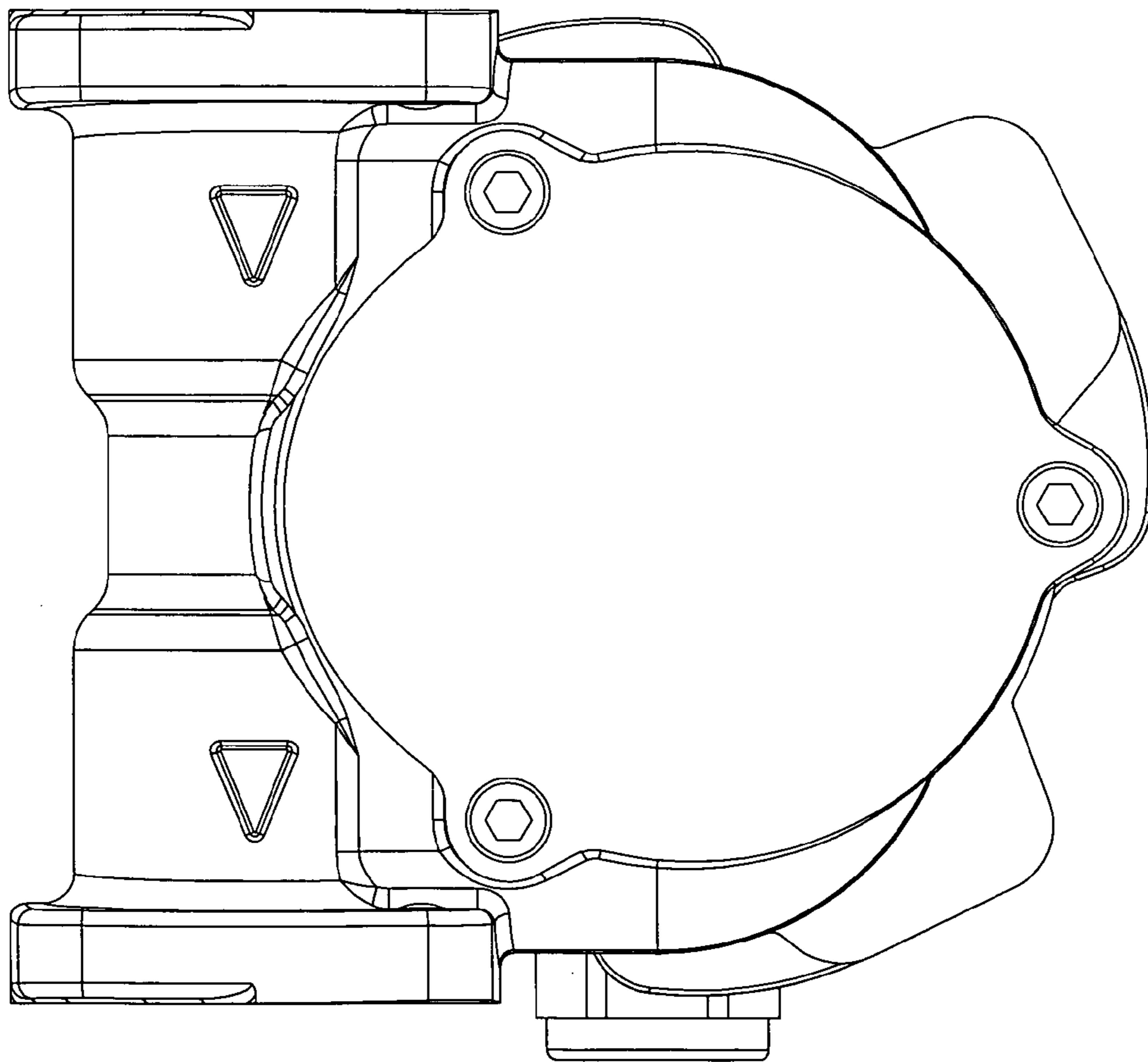


Fig. 4

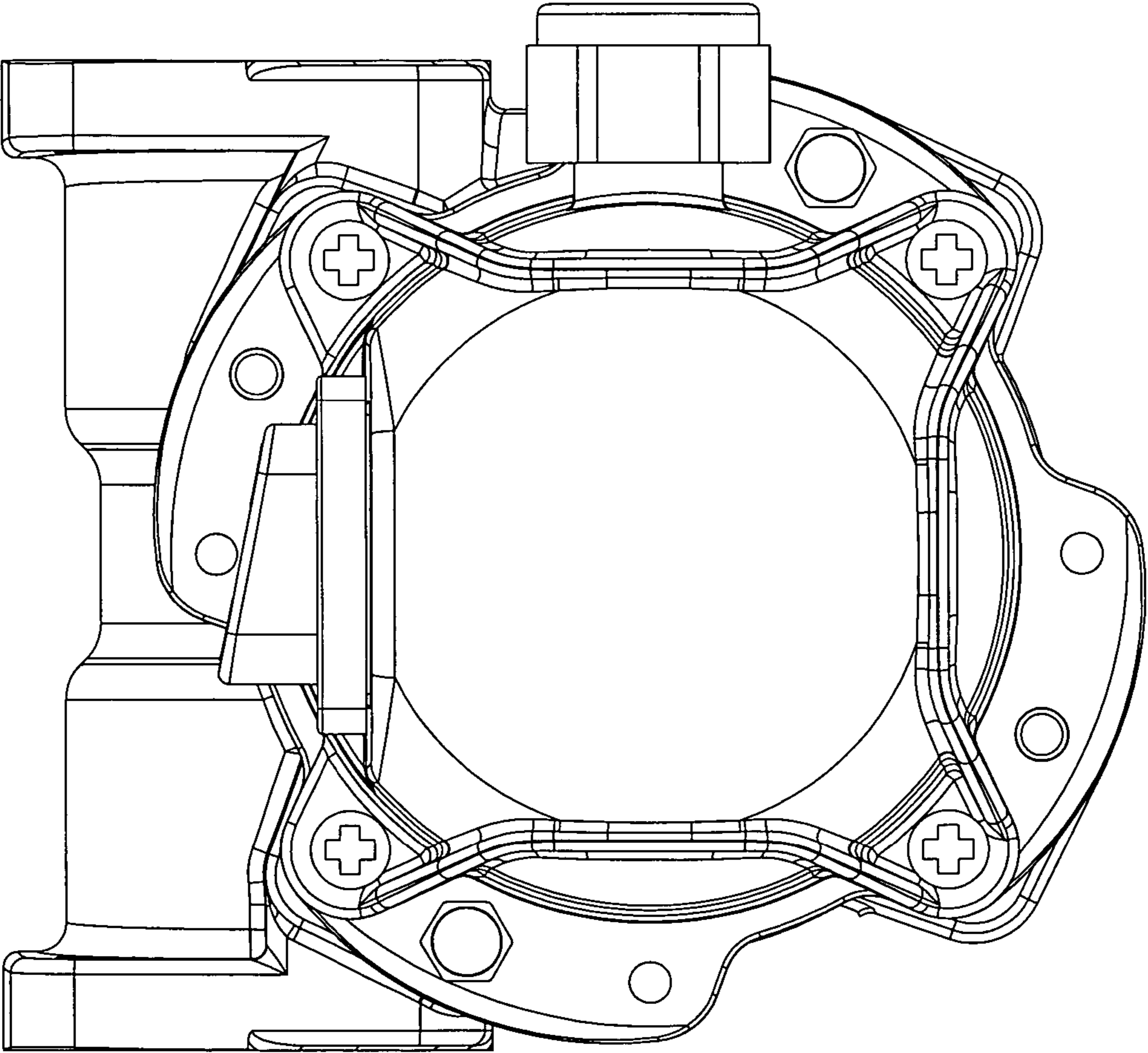


Fig. 5

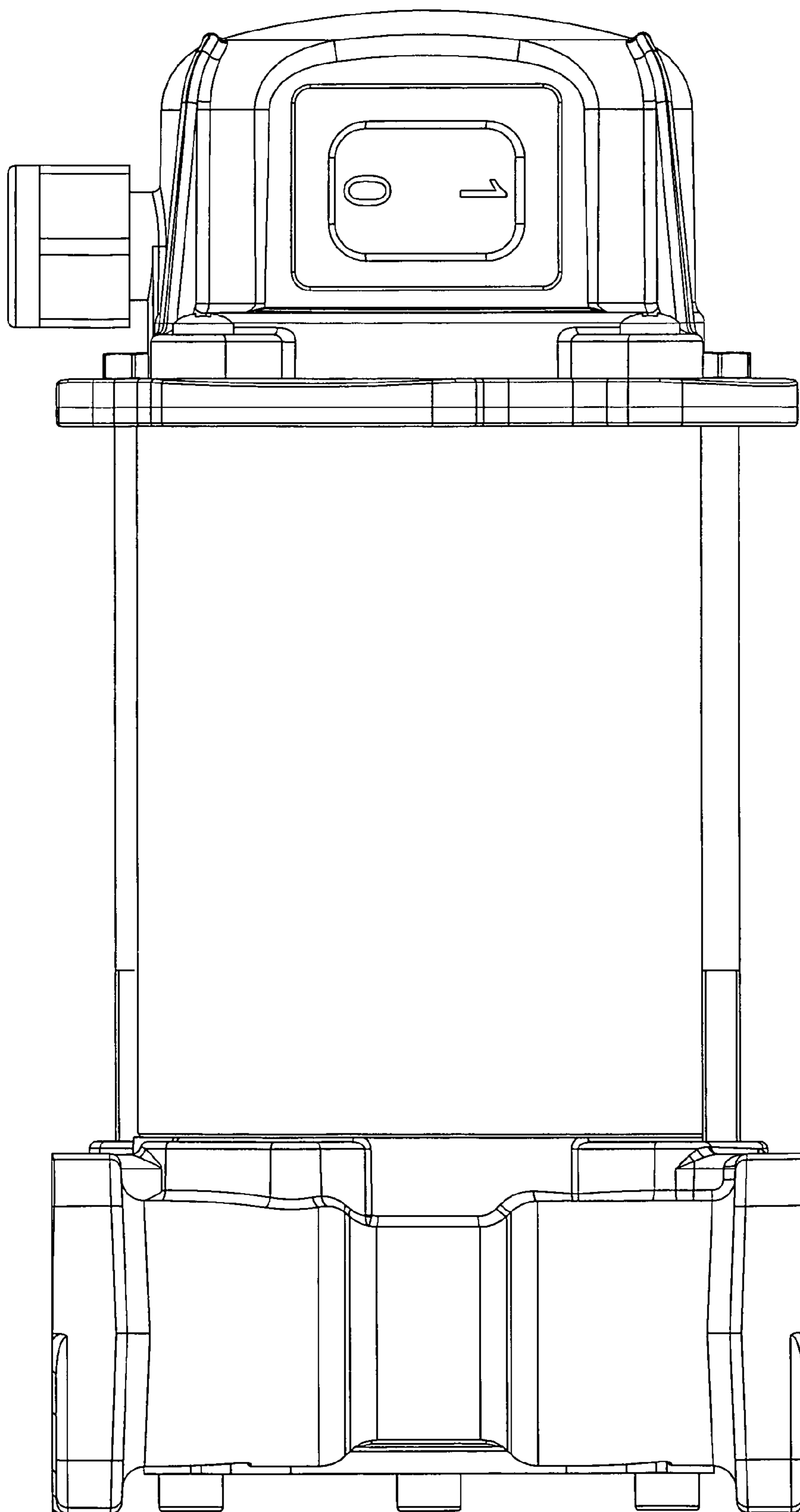


Fig. 6

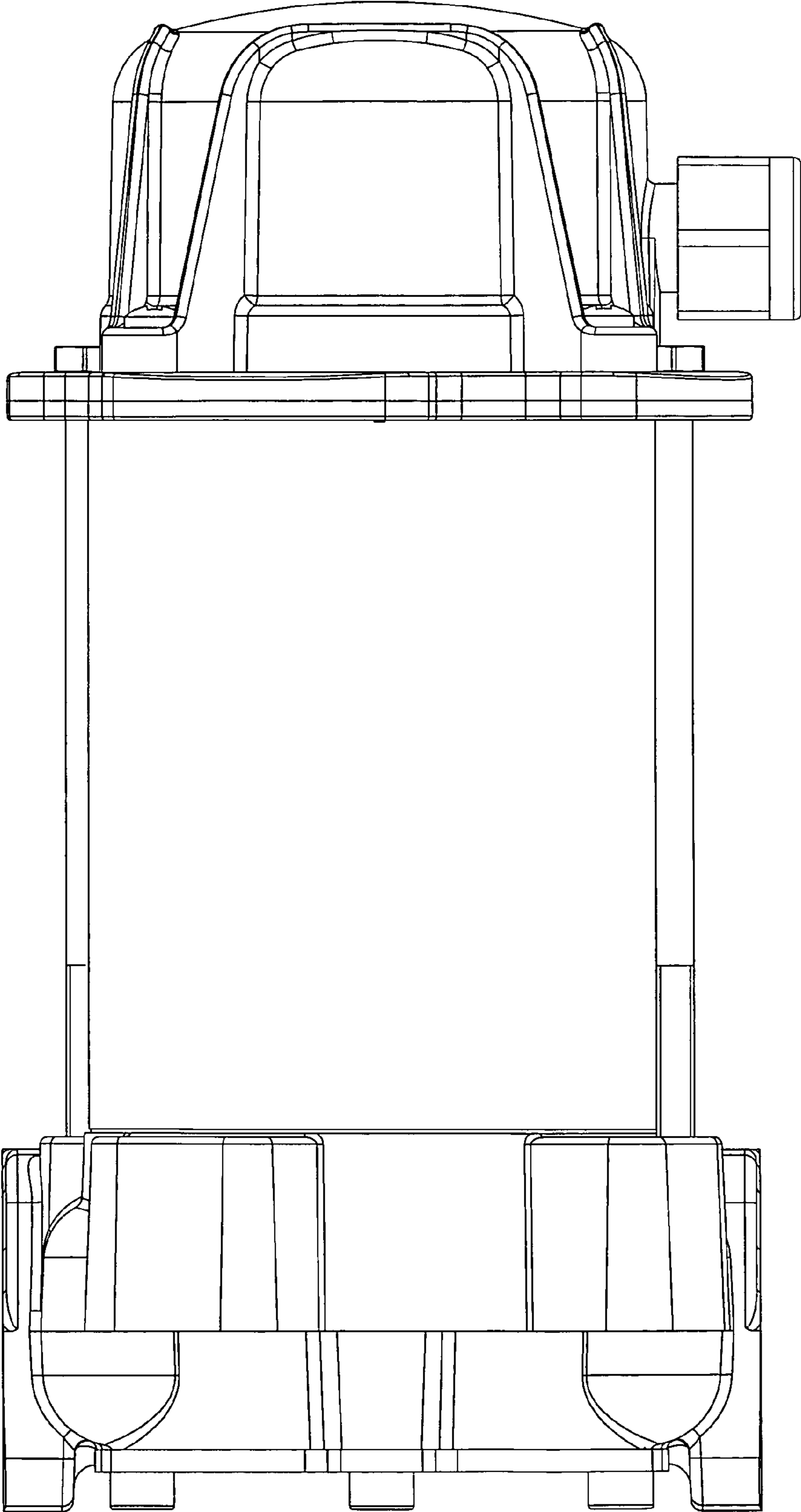


Fig. 7