



US00D650811S

(12) **United States Design Patent**
Andre et al.

(10) **Patent No.:** **US D650,811 S**

(45) **Date of Patent:** **** Dec. 20, 2011**

(54) **MEDIA DEVICE**

(75) Inventors: **Bartley K. Andre**, Menlo Park, CA (US); **Daniel J. Coster**, San Francisco, CA (US); **Daniele De Iuliis**, San Francisco, CA (US); **Richard P. Howarth**, San Francisco, CA (US); **Jonathan P. Ive**, San Francisco, CA (US); **Steve Jobs**, Palo Alto, CA (US); **Duncan Robert Kerr**, San Francisco, CA (US); **Shin Nishibori**, Portola Valley, CA (US); **Matthew Dean Rohrbach**, San Francisco, CA (US); **Douglas B. Satzger**, Menlo Park, CA (US); **Calvin Q. Seid**, Palo Alto, CA (US); **Christopher J. Stringer**, Woodside, CA (US); **Eugene Antony Whang**, San Francisco, CA (US); **Rico Zorkendorfer**, San Francisco, CA (US)

(73) Assignee: **Apple Inc.**, Cupertino, CA (US)

(**) Term: **14 Years**

(21) Appl. No.: **29/393,191**

(22) Filed: **May 31, 2011**

Related U.S. Application Data

(60) Continuation of application No. 29/379,225, filed on Nov. 16, 2010, now Pat. No. Des. 638,854, which is a continuation of application No. 29/361,026, filed on May 4, 2010, now Pat. No. Des. 627,367, which is a continuation of application No. 29/343,120, filed on Sep. 8, 2009, now Pat. No. Des. 616,899, which is a division of application No. 29/334,452, filed on Mar. 26, 2009, now Pat. No. Des. 601,172, which is a division of application No. 29/296,899, filed on Oct. 30, 2007, now Pat. No. Des. 589,530, which is a continuation of application No. 29/265,521, filed on Sep. 1, 2006, now Pat. No. Des. 560,228.

(51) **LOC (9) Cl.** **14-03**

(52) **U.S. Cl.** **D14/496**

(58) **Field of Classification Search** D14/496, D14/401, 435, 474, 483, 217, 137, 138, 160, D14/168, 356, 203.1–203.8, 507; 345/156, 345/169, 173–179, 905; 715/727–729, 864; 710/1, 5, 8; 713/1, 600; 455/1.1, 1.7, 73, 455/344–347, 93, 95, 3.01–3.06, 550.1, 573.1; 370/342–344; 369/1, 2, 6–12; 463/43–47; 273/148 B

See application file for complete search history.

(56) **References Cited**

U.S. PATENT DOCUMENTS

4,359,220 A	11/1982	Morrison et al.
D306,519 S	3/1990	Nakata
D344,511 S	2/1994	Ansai et al.
D345,304 S	3/1994	Leader
D432,523 S	10/2000	Grinkus et al.

(Continued)

Primary Examiner — Prabhakar Deshmukh

(74) *Attorney, Agent, or Firm* — Sterne, Kessler, Goldstein & Fox PLLC

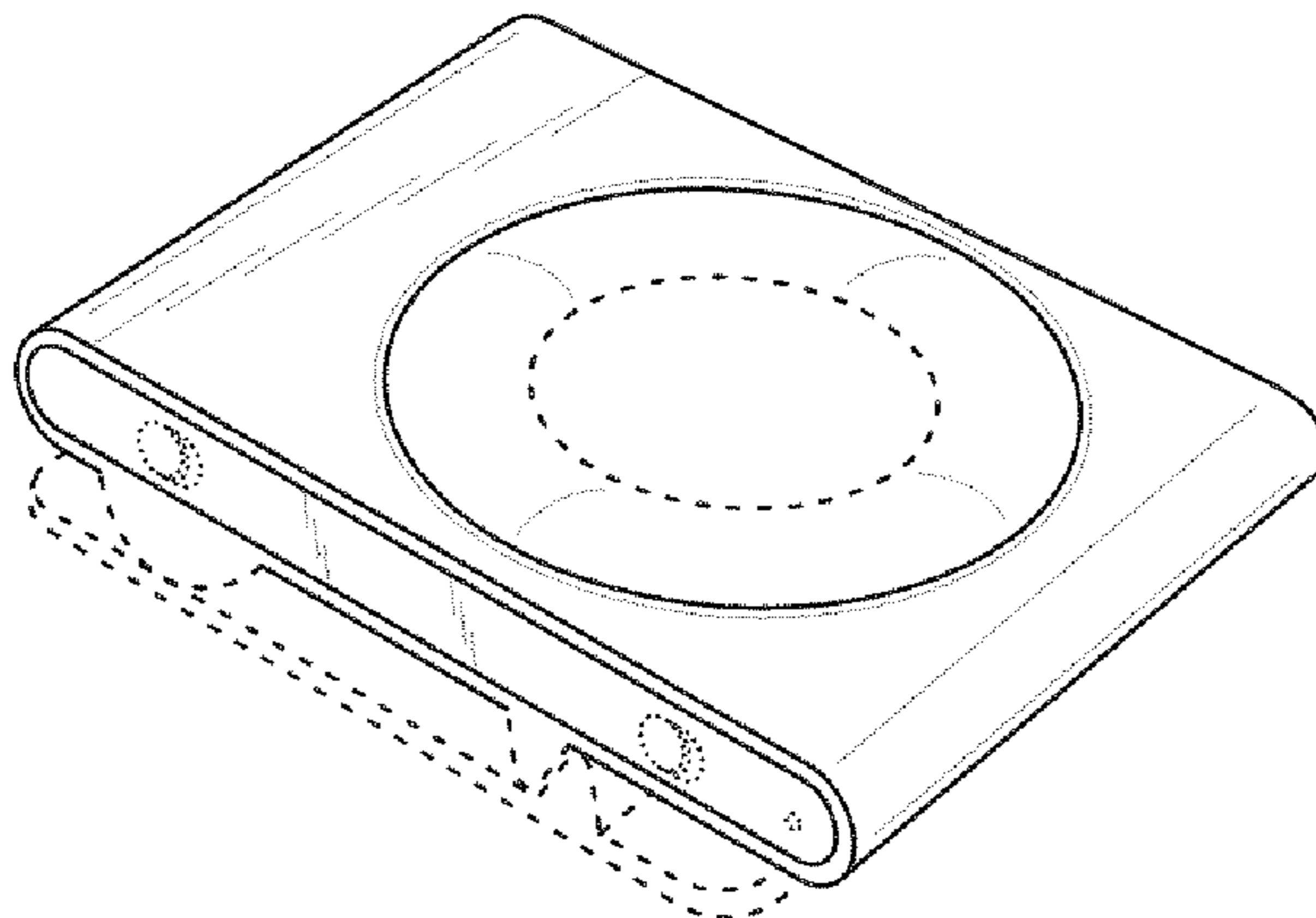
(57) **CLAIM**

The ornamental design for a media device, as shown and described.

DESCRIPTION

FIG. 1 is a front perspective view of a media device showing our new design.
FIG. 2 is a front elevational view thereof;
FIG. 3 is a rear elevational view thereof;
FIG. 4 is a top plan view thereof;
FIG. 5 is a bottom plan view thereof;
FIG. 6 is a left side elevational view thereof; and,
FIG. 7 is a right side elevational view thereof.
The broken lines in the Figures show portions of the media device which form no part of the claimed design.

1 Claim, 4 Drawing Sheets



US D650,811 S

Page 2

U.S. PATENT DOCUMENTS

D441,735 S	5/2001	Katayama	
6,254,477 B1 *	7/2001	Sasaki et al.	463/1
D446,499 S	8/2001	Andre et al.	
D473,207 S	4/2003	Tanio	
6,595,860 B1 *	7/2003	Yamamoto et al.	463/43
D503,409 S	3/2005	Wong et al.	
D513,611 S	1/2006	Hibi	
D515,545 S	2/2006	Griffin	
D516,579 S	3/2006	Nakamura	
D520,502 S	5/2006	Xu et al.	
D555,171 S *	11/2007	Dai	D14/496
D559,860 S	1/2008	Andre et al.	
D559,861 S *	1/2008	Andre et al.	D14/496
D560,228 S	1/2008	Andre et al.	
D563,434 S *	3/2008	Dai	D14/496
D568,310 S	5/2008	Franck et al.	
D569,389 S	5/2008	Andre et al.	
D588,610 S	3/2009	Andre et al.	
D589,530 S	3/2009	Andre et al.	
D590,826 S *	4/2009	Andre et al.	D14/341
D601,172 S	9/2009	Andre et al.	
D606,040 S	12/2009	Andre et al.	
D616,899 S	6/2010	Andre et al.	
D618,207 S	6/2010	Andre et al.	
D627,367 S	11/2010	Andre et al.	
D629,789 S	12/2010	Andre et al.	
D638,854 S	5/2011	Andre et al.	

* cited by examiner

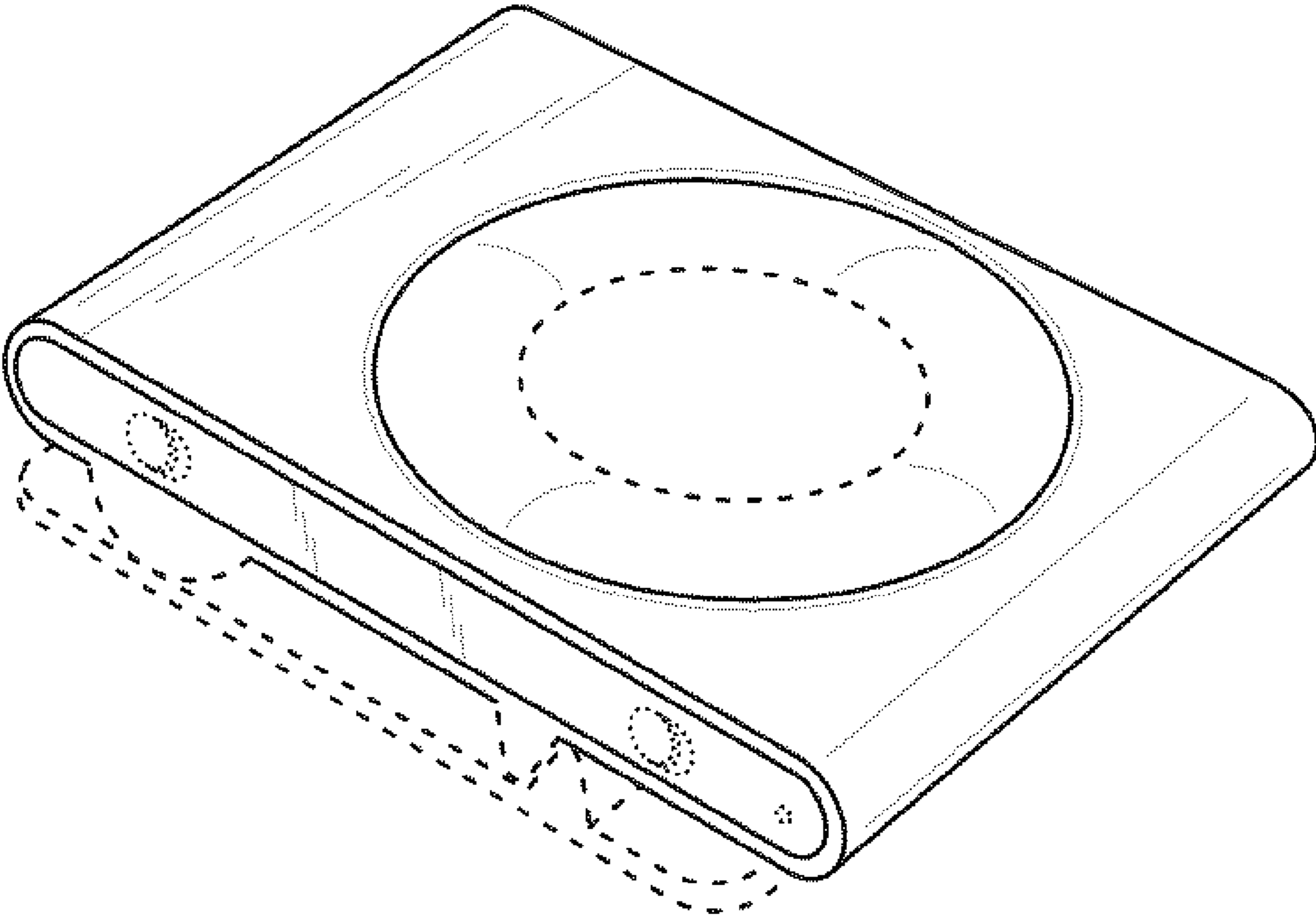


FIG. 1

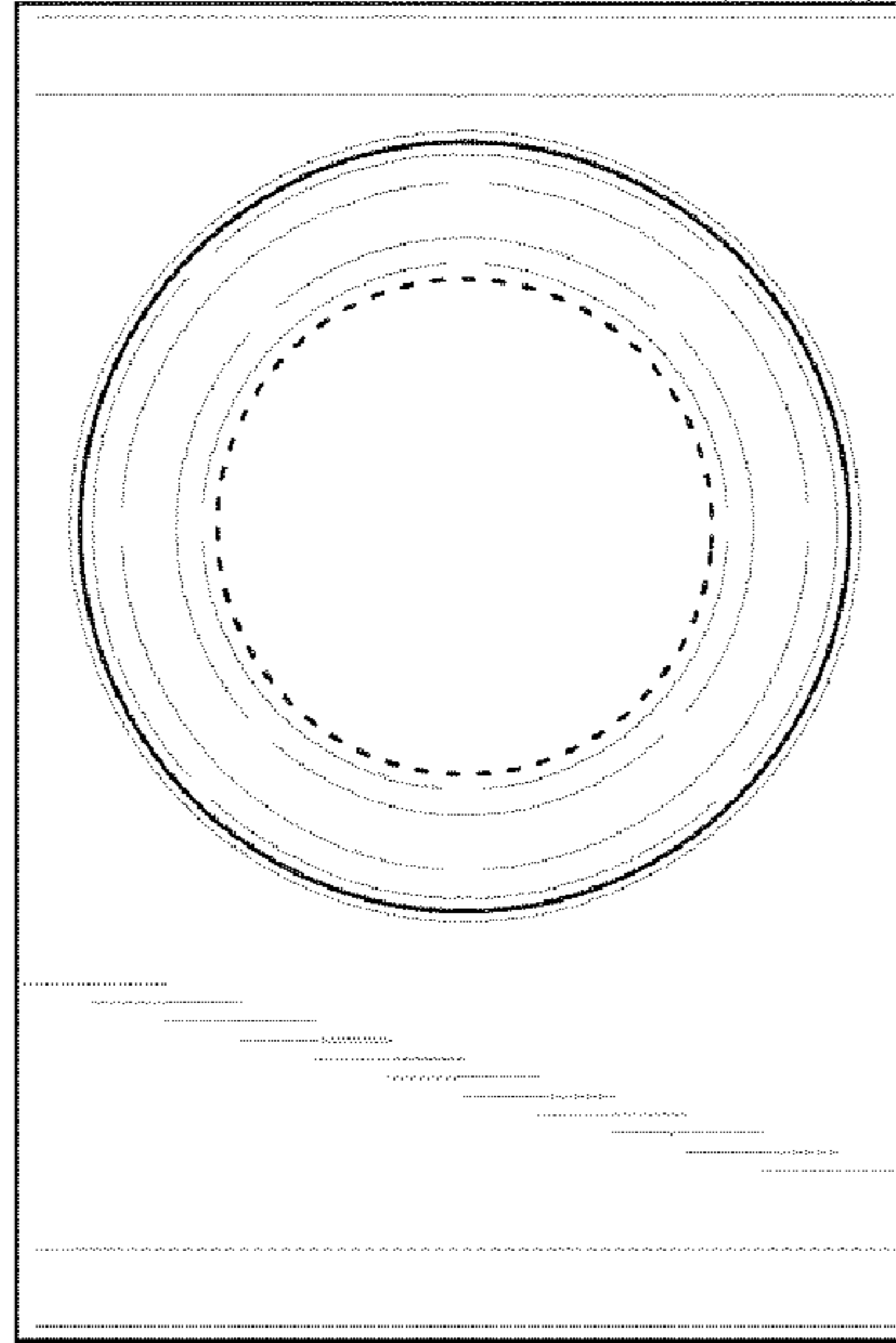


FIG. 2

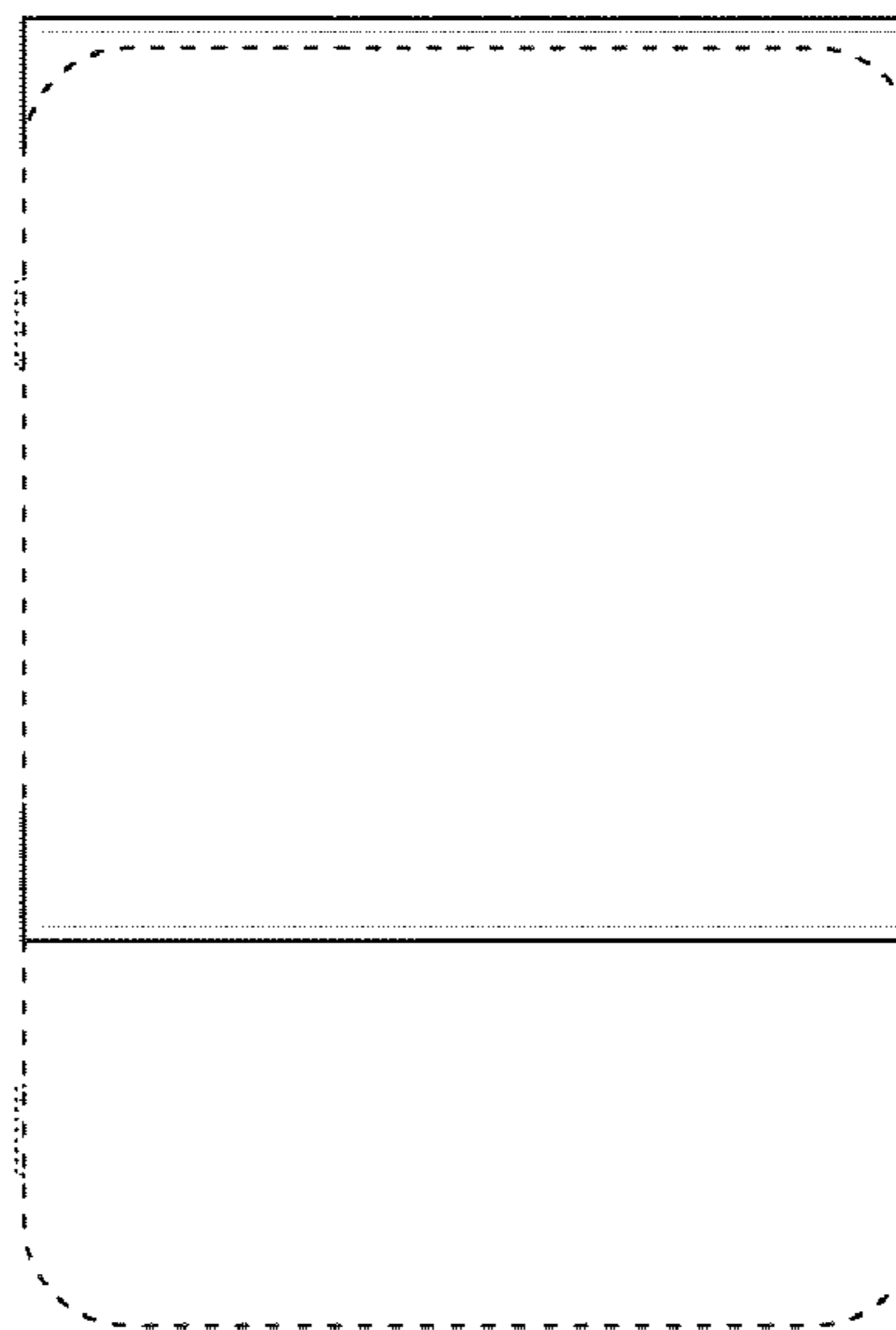


FIG. 3

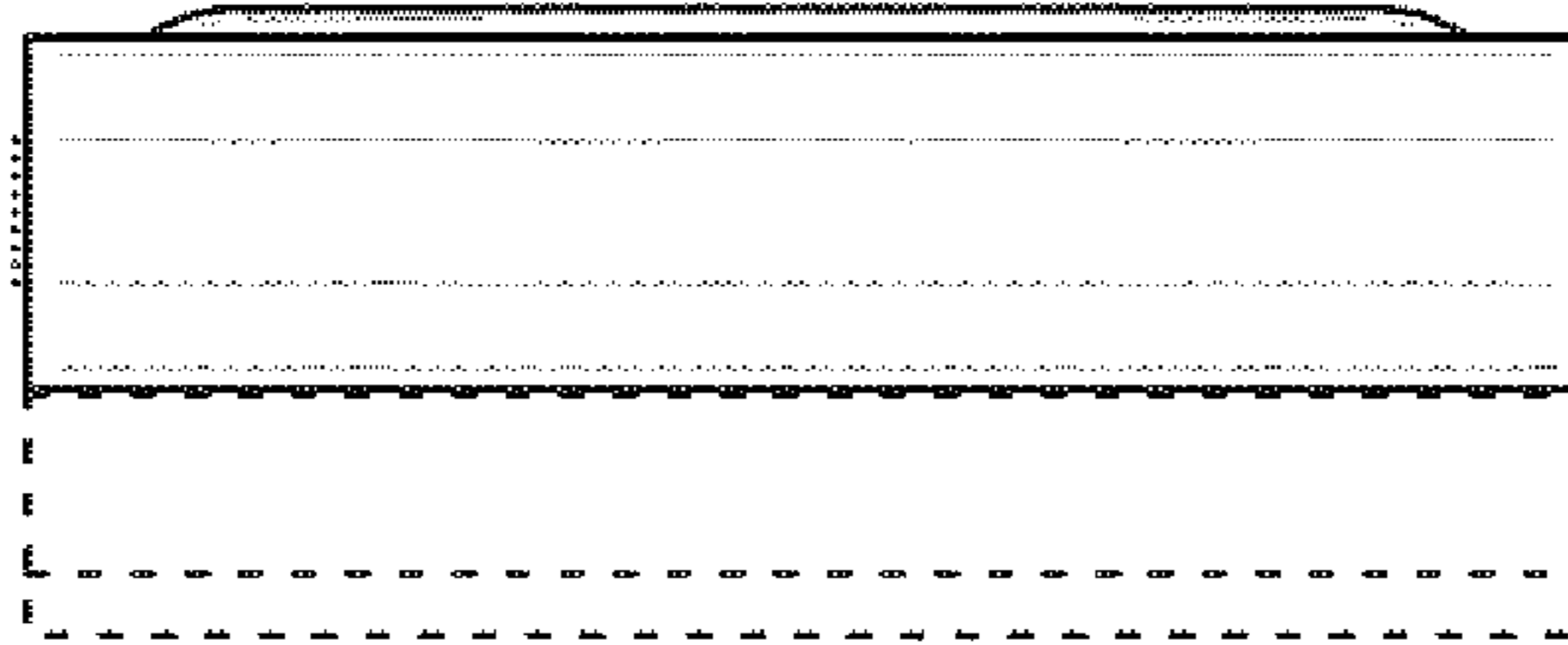


FIG. 4

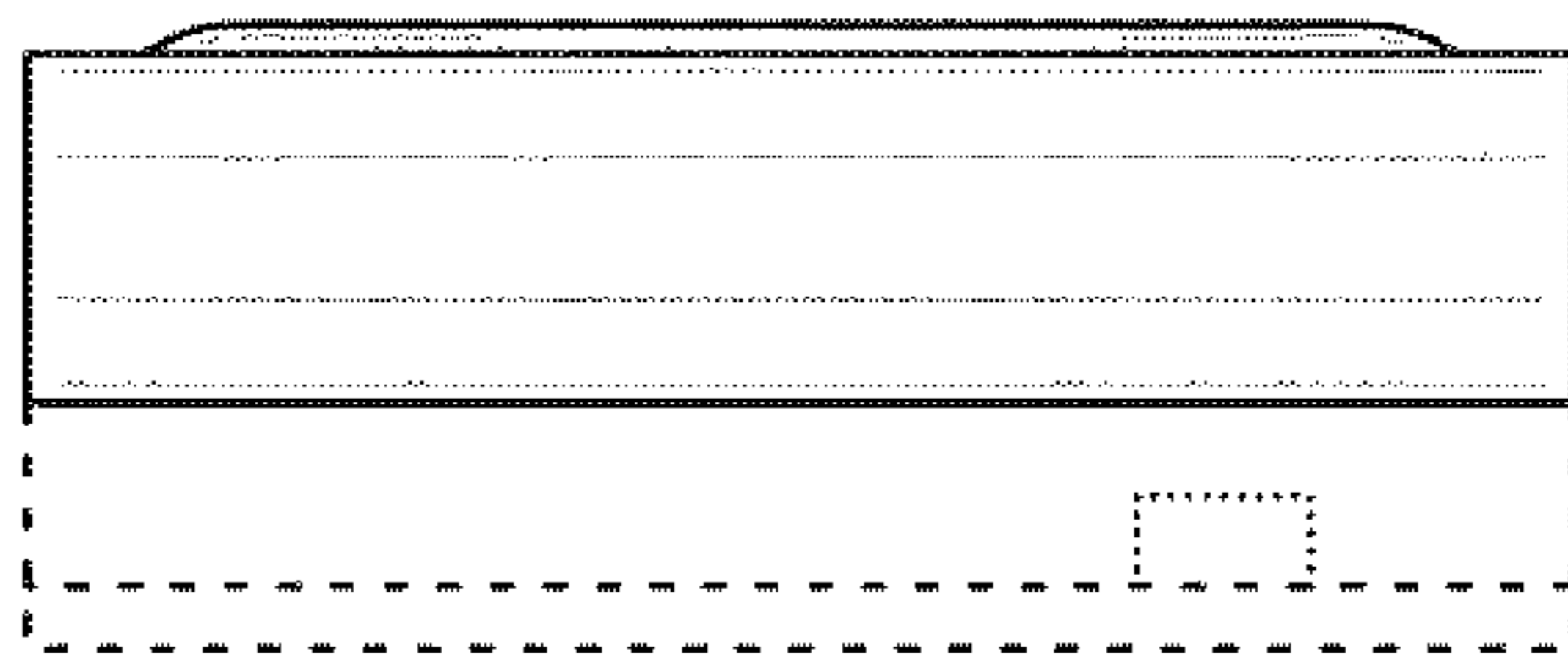


FIG. 5

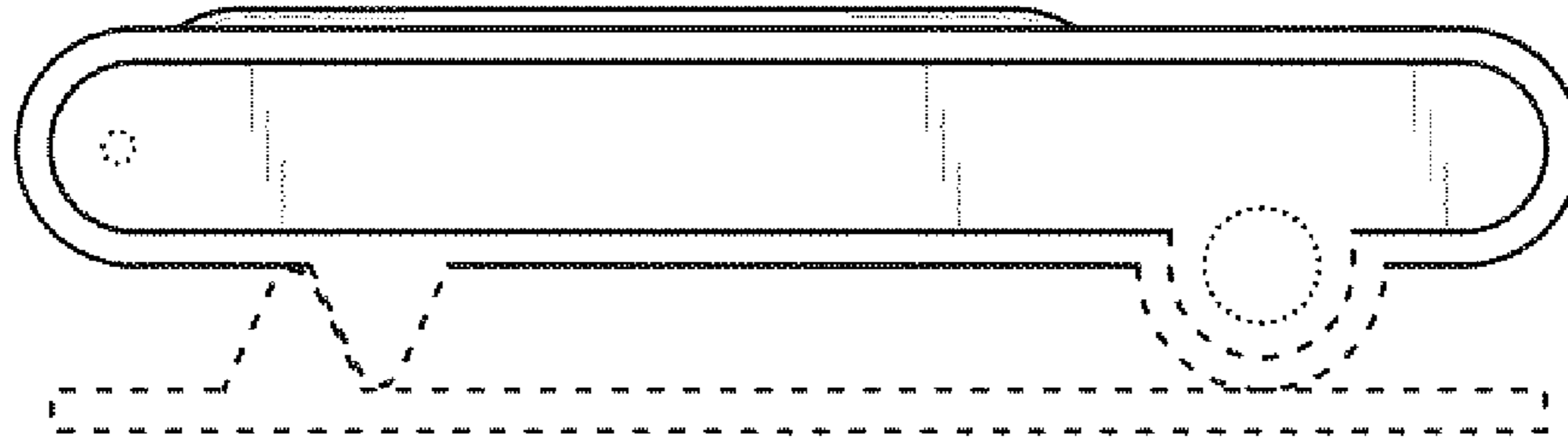


FIG. 6

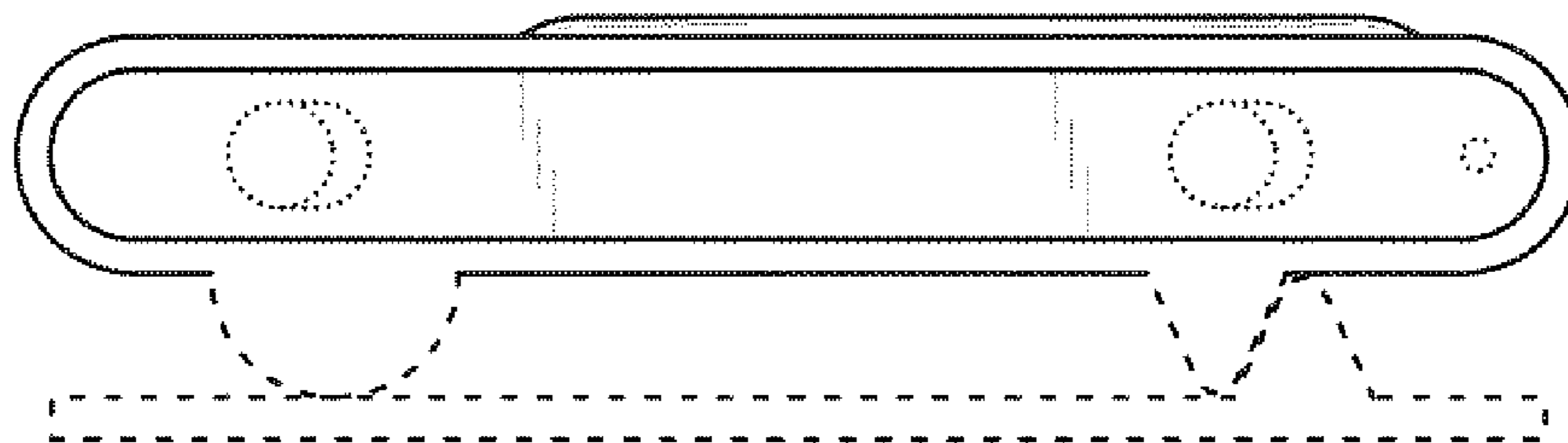


FIG. 7