



US00D650787S

(12) **United States Design Patent**
Taatjes et al.

(10) **Patent No.:** **US D650,787 S**

(45) **Date of Patent:** **** *Dec. 20, 2011**

(54) **FILAMENT SPOOL CONTAINER**

(75) Inventors: **Thomas L. Taatjes**, Eden Prairie, MN (US); **Patrick W. Turley**, Eden Prairie, MN (US); **Martin G. Zalusky**, Bloomington, MN (US)

(73) Assignee: **Stratasys, Inc.**, Eden Prairie, MN (US)

(*) Notice: This patent is subject to a terminal disclaimer.

(**) Term: **14 Years**

(21) Appl. No.: **29/384,419**

(22) Filed: **Jan. 31, 2011**

Related U.S. Application Data

(60) Continuation of application No. 29/351,229, filed on Dec. 2, 2009, now Pat. No. Des. 633,916, which is a division of application No. 29/340,132, filed on Jul. 14, 2009, now Pat. No. Des. 606,998, which is a division of application No. 29/326,638, filed on Oct. 22, 2008, now Pat. No. Des. 598,922.

(51) **LOC (9) Cl.** **14-99**

(52) **U.S. Cl.** **D14/475**

(58) **Field of Classification Search** D14/161, D14/484, 475, 496; D8/358, 359, 356, 308; D22/137, 140; D12/206; D3/24; 242/118.7, 242/159, 476.6, 608.8, 614.1; 206/412; 137/355.27; 254/213

See application file for complete search history.

(56) **References Cited**

U.S. PATENT DOCUMENTS

D224,683 S * 8/1972 Ono D14/475
D228,789 S * 10/1973 Koni D14/475
D230,991 S * 3/1974 Catto D14/475
D260,514 S * 9/1981 Gell D14/475
D276,527 S * 11/1984 Flanigan D14/435

D282,357 S * 1/1986 Gell D14/475
5,121,329 A 6/1992 Crump 364/468
D346,379 S * 4/1994 Patel et al. D14/475
5,340,433 A 8/1994 Crump 156/578
5,503,785 A 4/1996 Crump et al. 264/40.7
D381,645 S * 7/1997 Johnson D14/475
5,939,008 A 8/1999 Comb et al. 264/308
5,968,561 A 10/1999 Batchelder et al. 425/375
6,022,207 A 2/2000 Dahlin et al. 425/145
6,070,107 A 5/2000 Lombardi et al. 700/119
6,085,957 A 7/2000 Zinniel et al. 226/8
D436,021 S 1/2001 Arnold
D436,111 S * 1/2001 Hahn et al. D14/475
6,228,923 B1 5/2001 Lombardi et al. 524/425
D470,498 S * 2/2003 Argumedo et al. D14/435
D474,191 S * 5/2003 Nakayama D14/475
6,685,866 B2 2/2004 Swanson et al. 264/308

(Continued)

Primary Examiner — Stella Reid

Assistant Examiner — Keli L Hill

(74) *Attorney, Agent, or Firm* — Brian R. Morrison; Westman, Champlin & Kelly, P.A.

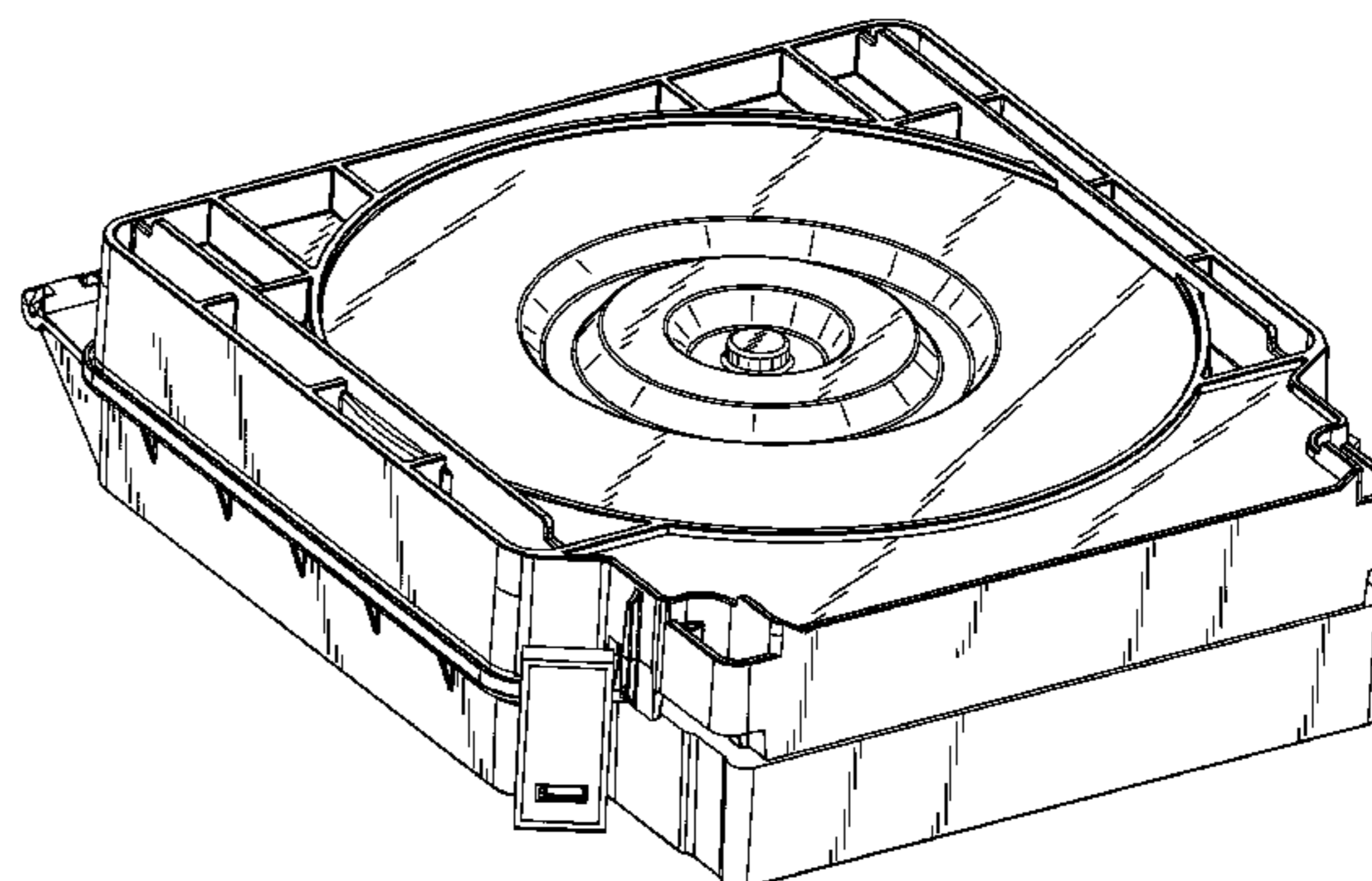
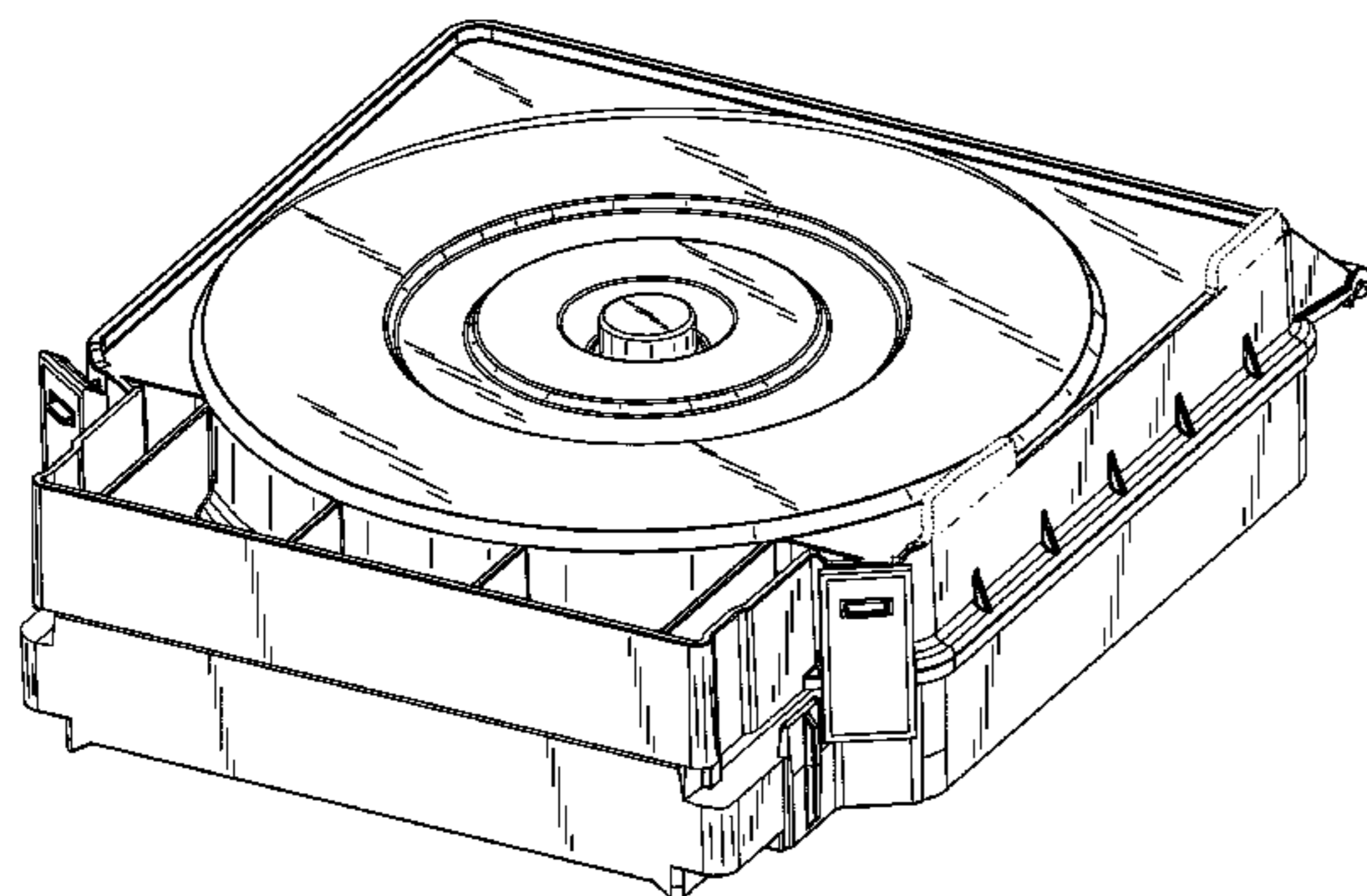
(57) **CLAIM**

The ornamental design for a filament spool container, as shown and described.

DESCRIPTION

FIG. 1 is a top front perspective view of a filament spool container;
FIG. 2 is a bottom front perspective view thereof;
FIG. 3 is a top view thereof;
FIG. 4 is a bottom view thereof;
FIG. 5 is a front view thereof;
FIG. 6 is a rear view thereof;
FIG. 7 is a left side view thereof; and,
FIG. 8 is a right side view thereof.
The dot-dot-dash broken lines represent the bounds of the claim design while all other broken lines are included for the purpose of illustrating the unclaimed portions of the article; the broken lines form no part of the claimed design.

1 Claim, 6 Drawing Sheets



US D650,787 S

Page 2

U.S. PATENT DOCUMENTS

6,722,872	B1	4/2004	Swanson et al.	425/225	D606,845	S	12/2009	Taatjes et al.	
6,776,602	B2 *	8/2004	Swanson et al.	425/376.1	D606,998	S *	12/2009	Taatjes et al.	D14/475
6,790,403	B1	9/2004	Priedeman, Jr. et al.	264/442	D633,916	S *	3/2011	Taatjes et al.	D14/475
D504,307	S	4/2005	Dayan		2004/0129823	A1 *	7/2004	Swanson et al.	242/563
7,063,285	B1	6/2006	Turley et al.	242/171	2007/0001050	A1 *	1/2007	Taatjes et al.	242/598.6
7,066,425	B2	6/2006	Cornier et al.		2007/0228590	A1	10/2007	LaBossiere et al.	264/40.1
7,169,337	B2	1/2007	Swanson et al.	264/39	2009/0050732	A1 *	2/2009	Ishikawa	242/608.8
7,341,214	B2	3/2008	Taatjes et al.	242/170	2009/0177309	A1 *	7/2009	Kozlak	700/119
7,384,255	B2	6/2008	LaBossiere et al.	425/190	2010/0096485	A1 *	4/2010	Taatjes et al.	242/171
D598,922	S *	8/2009	Taatjes et al.	D14/475	2010/0096489	A1 *	4/2010	Taatjes et al.	242/520
7,571,872	B2	8/2009	Shiga	242/348					

* cited by examiner

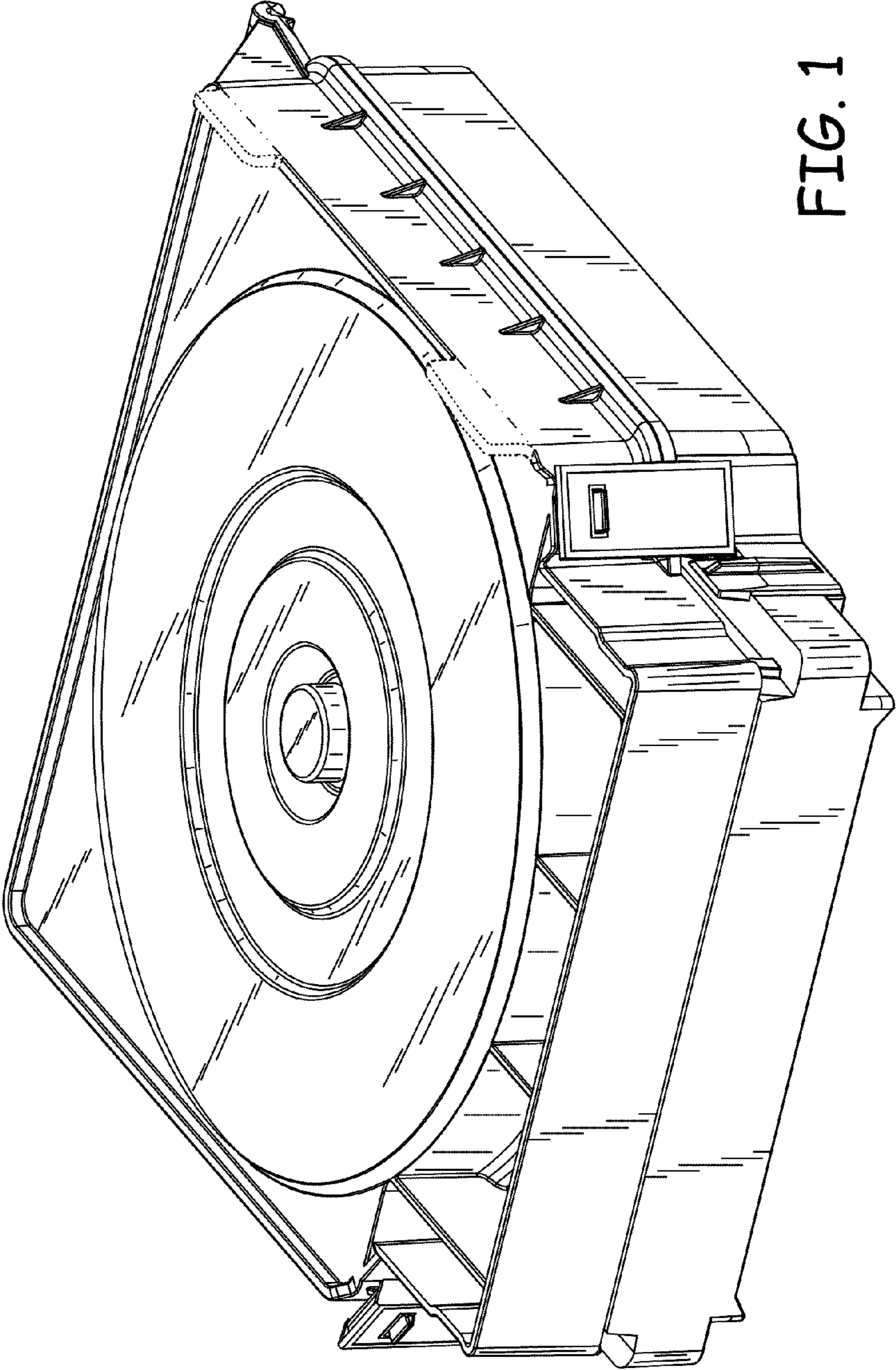


FIG. 1

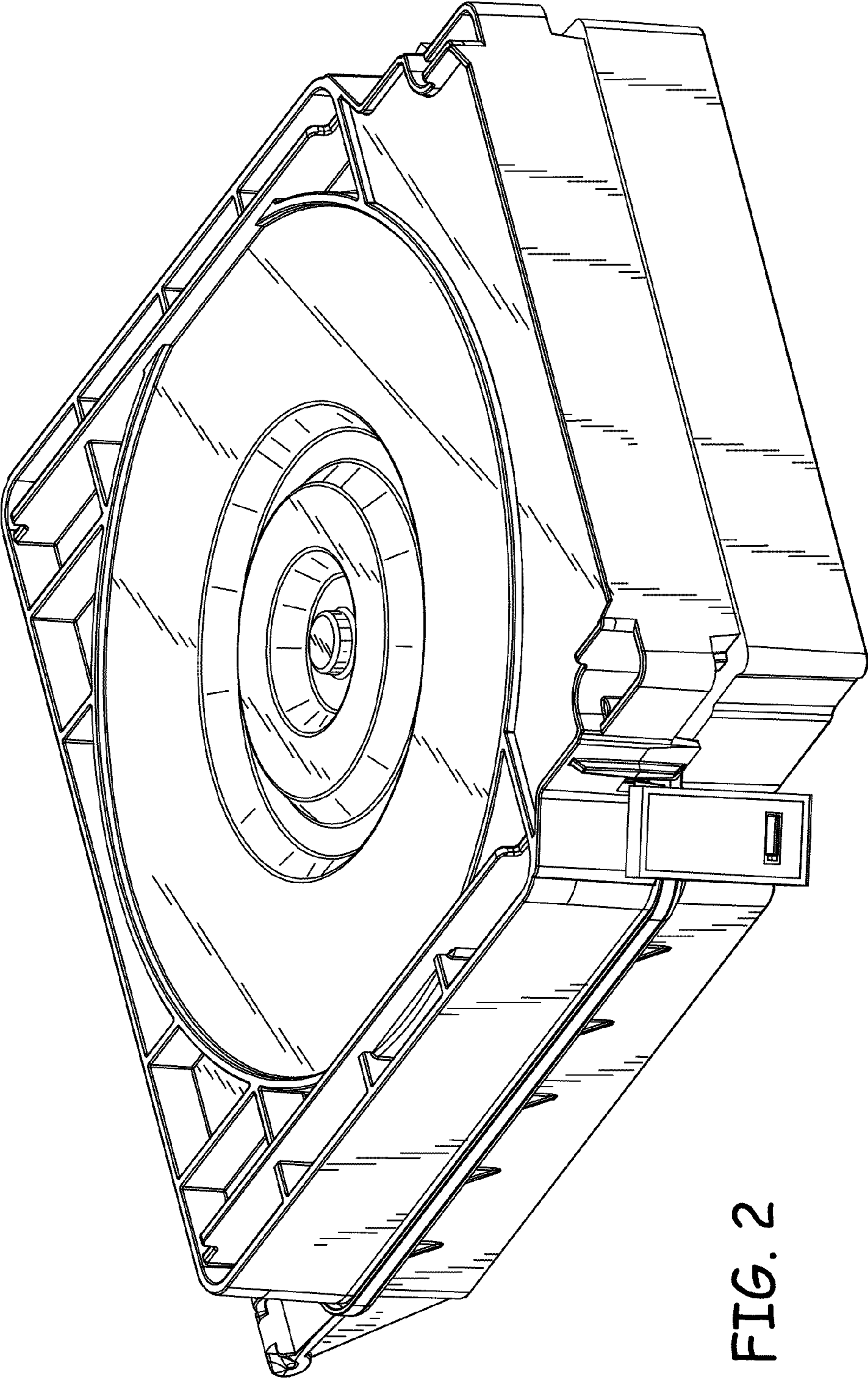


FIG. 2

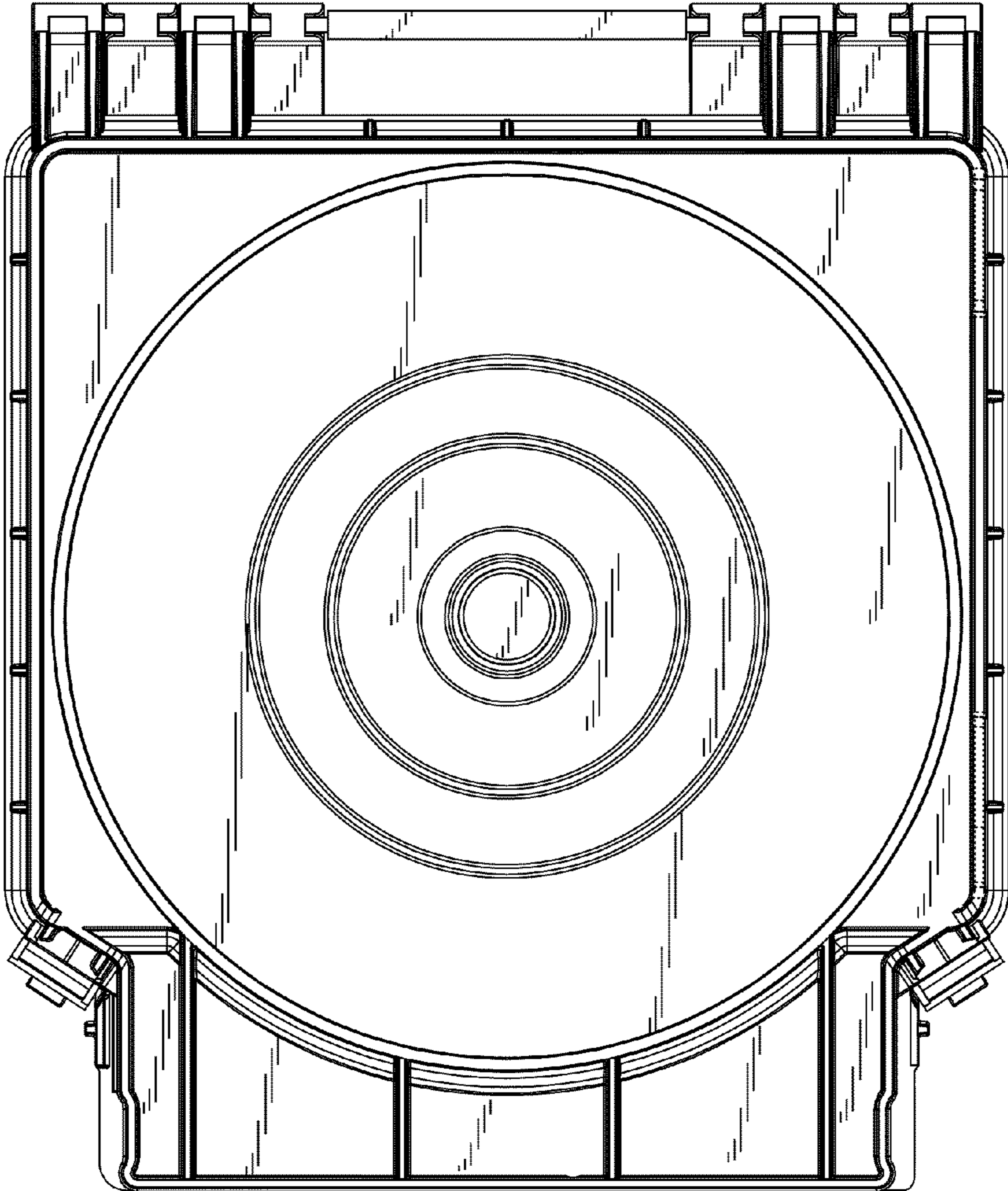


FIG. 3

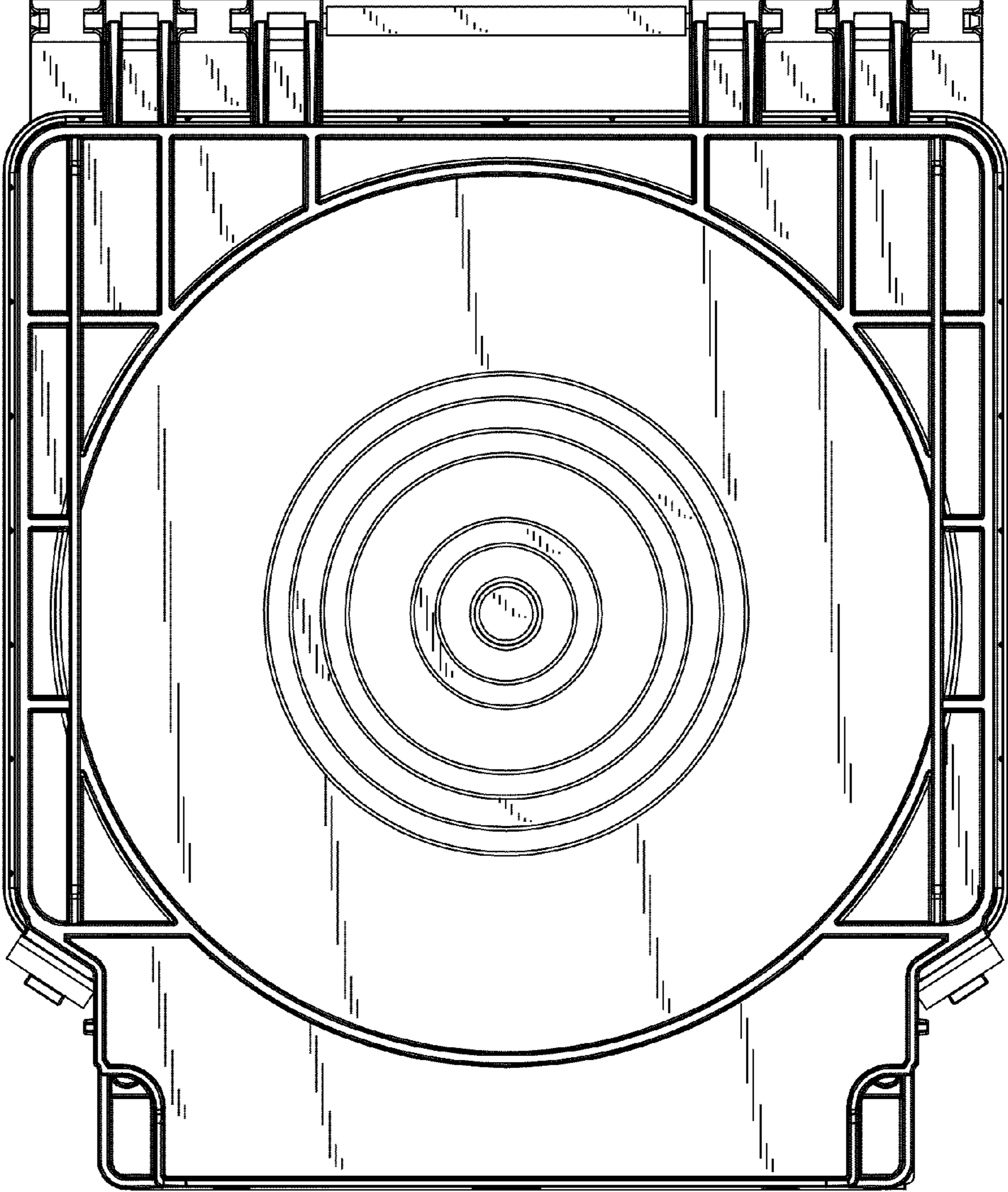


FIG. 4

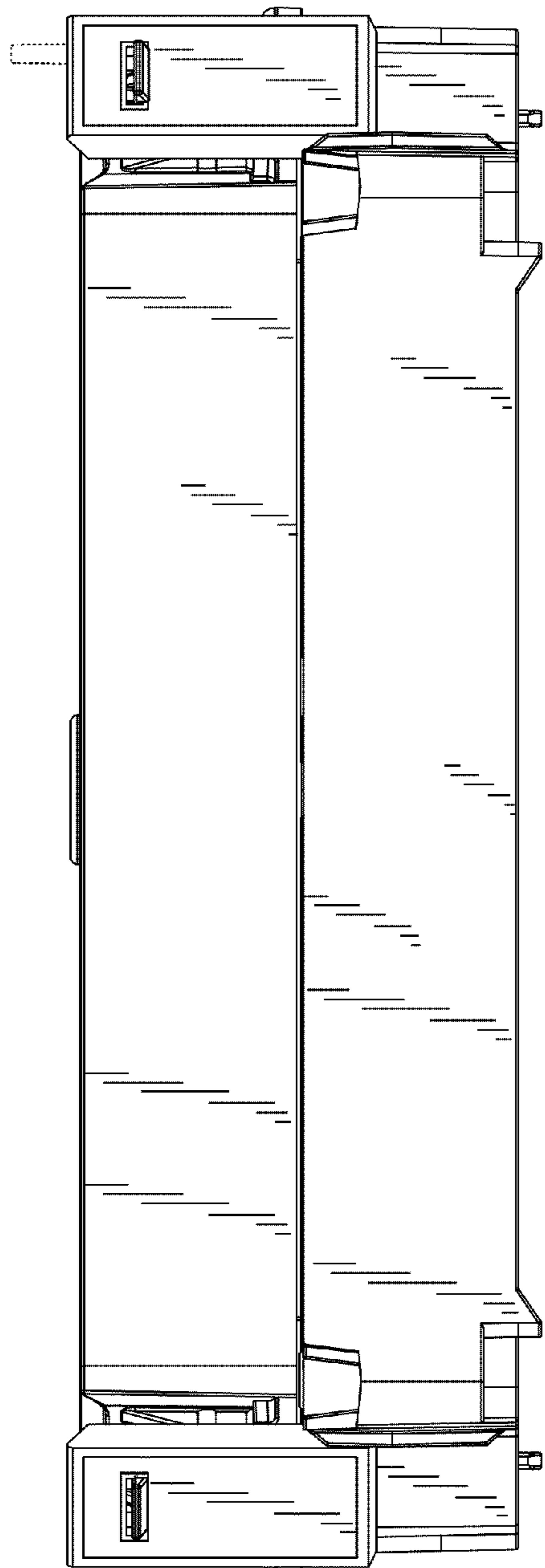


FIG. 5

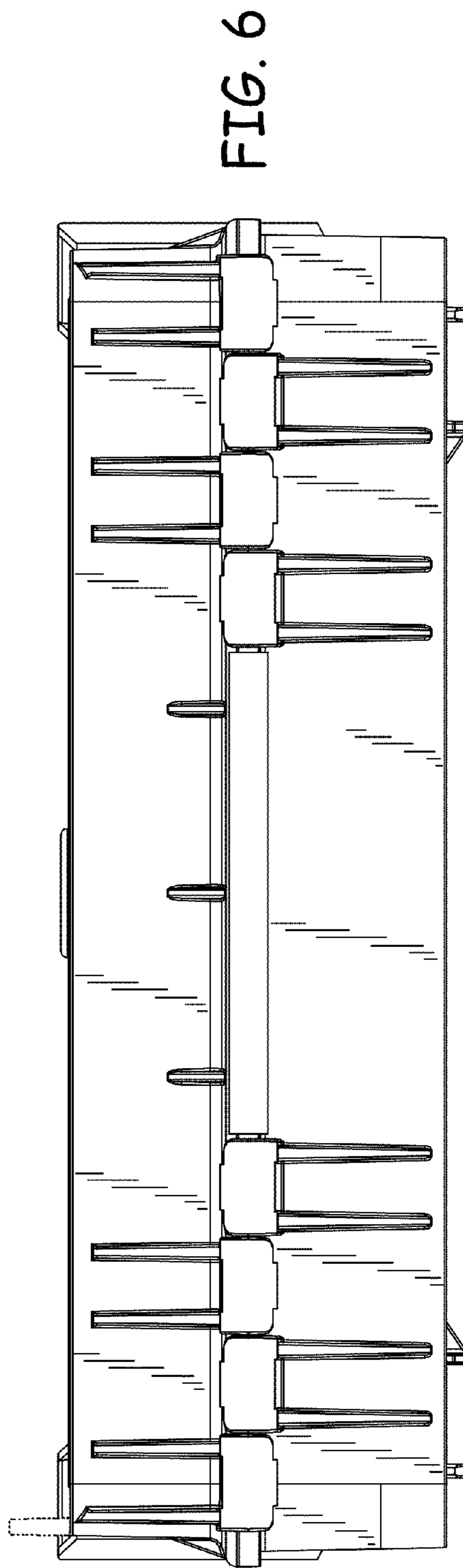


FIG. 6

FIG. 7

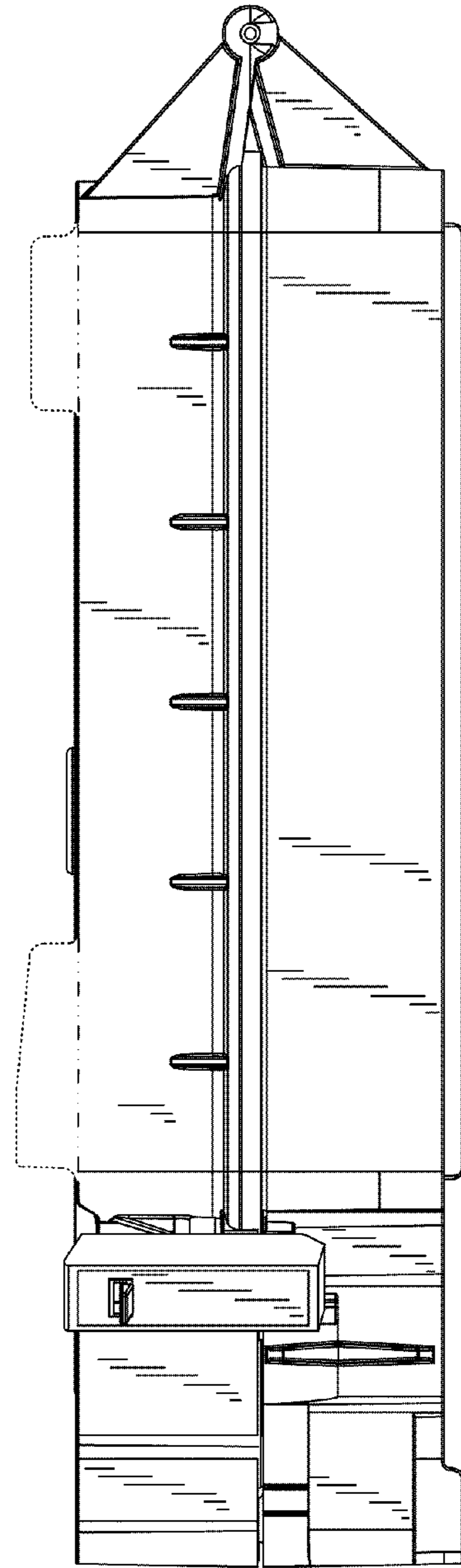
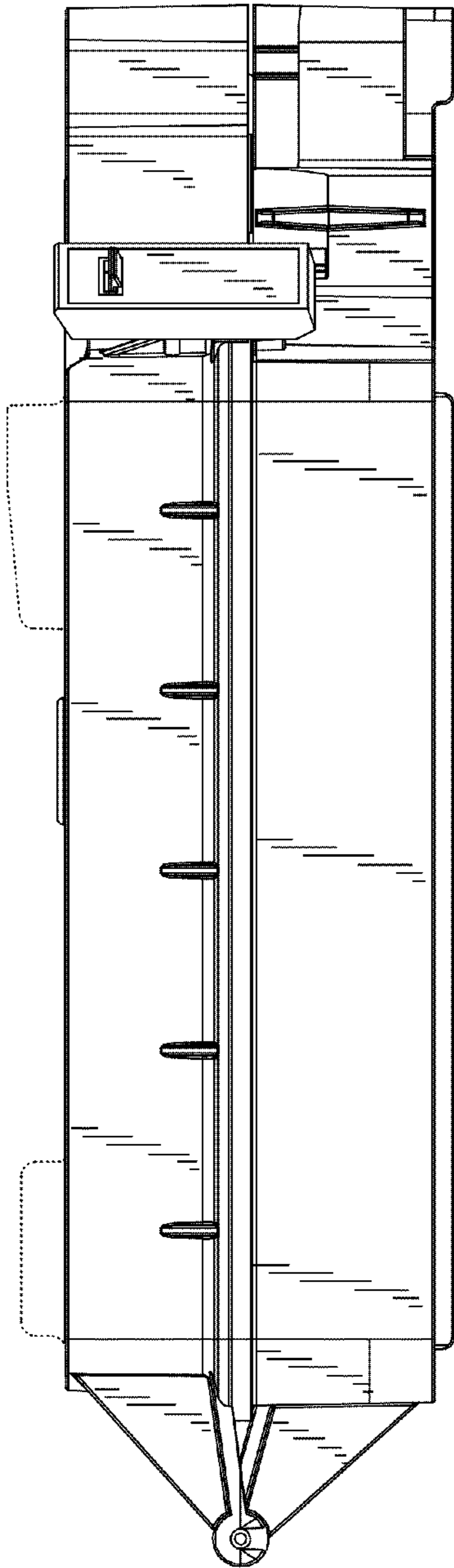


FIG. 8