



US00D650786S

(12) **United States Design Patent**  
**Terwilliger et al.**

(10) **Patent No.:** **US D650,786 S**

(45) **Date of Patent:** **\*\* Dec. 20, 2011**

(54) **SERVER CONTROL PANEL**

(75) Inventors: **Kevin Terwilliger**, Austin, TX (US);  
**Bryan K. Hunter**, Round Rock, TX  
(US); **Jared Mockler**, Austin, TX (US);  
**Richard Crisp**, Austin, TX (US)

(73) Assignee: **Dell Products L.P.**, Round Rock, TX  
(US)

(\*\*) Term: **14 Years**

(21) Appl. No.: **29/388,751**

(22) Filed: **Apr. 1, 2011**

(51) **LOC (9) Cl.** ..... **14-02**

(52) **U.S. Cl.** ..... **D14/443; D14/441**

(58) **Field of Classification Search** ..... D14/441-446,  
D14/313, 356, 360-368; D13/162, 184,  
D13/199; 312/223.2; 360/99.01-99.12;  
361/679.31-679.33, 679.37, 679.55; 369/34.01,  
369/36.01

See application file for complete search history.

(56) **References Cited**

U.S. PATENT DOCUMENTS

D491,570 S \* 6/2004 Fan et al. .... D14/445  
D528,540 S 9/2006 Sugihara et al.  
D532,418 S 11/2006 Crisp  
D540,788 S 4/2007 McIntosh et al.

D564,523 S \* 3/2008 Chen et al. .... D14/442  
7,420,800 B1 \* 9/2008 Knapp et al. .... 361/679.55  
D589,047 S \* 3/2009 Kawase et al. .... D14/441  
D590,403 S \* 4/2009 Wang et al. .... D14/443  
7,679,897 B2 \* 3/2010 Xu et al. .... 361/679.37

\* cited by examiner

*Primary Examiner* — Freda S Nunn

(74) *Attorney, Agent, or Firm* — Hamilton & Terrile, LLP;  
Robert W. Holland

(57) **CLAIM**

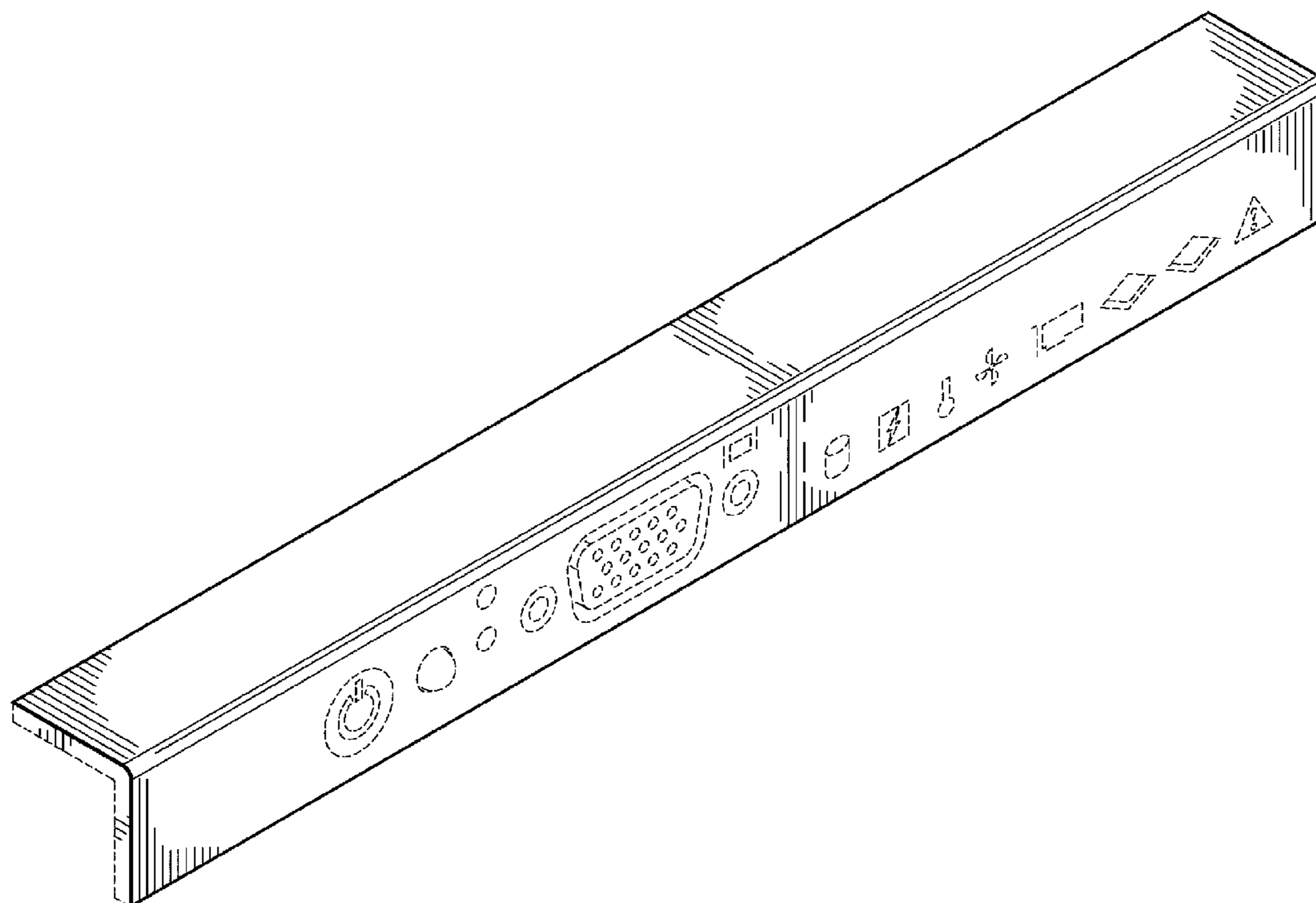
We claim the ornamental design for the server control panel,  
as shown and described.

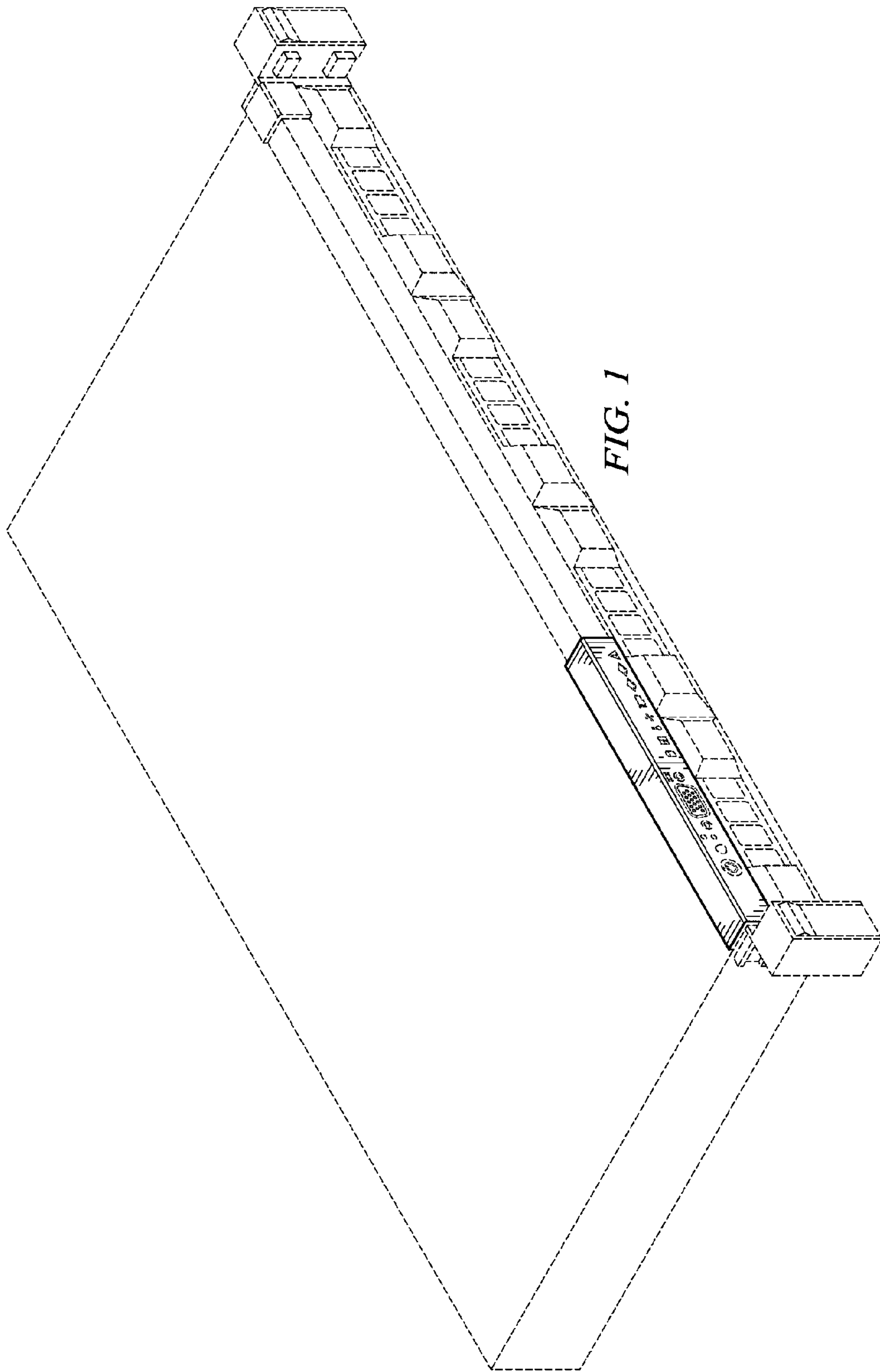
**DESCRIPTION**

FIG. 1 is a front perspective view of the server control panel  
comprising the present invention installed on a server infor-  
mation handling system;  
FIG. 2 is a front perspective view thereof separate from the  
server information handling system;  
FIG. 3 is a front view thereof;  
FIG. 4 is a left or right side view thereof;  
FIG. 5 is a rear view thereof;  
FIG. 6 is a top view thereof; and,  
FIG. 7 is a bottom view thereof.

Broken lines shown in the drawings illustrate portions of the  
rack server control panel, and form no part of the claimed  
design.

**1 Claim, 4 Drawing Sheets**





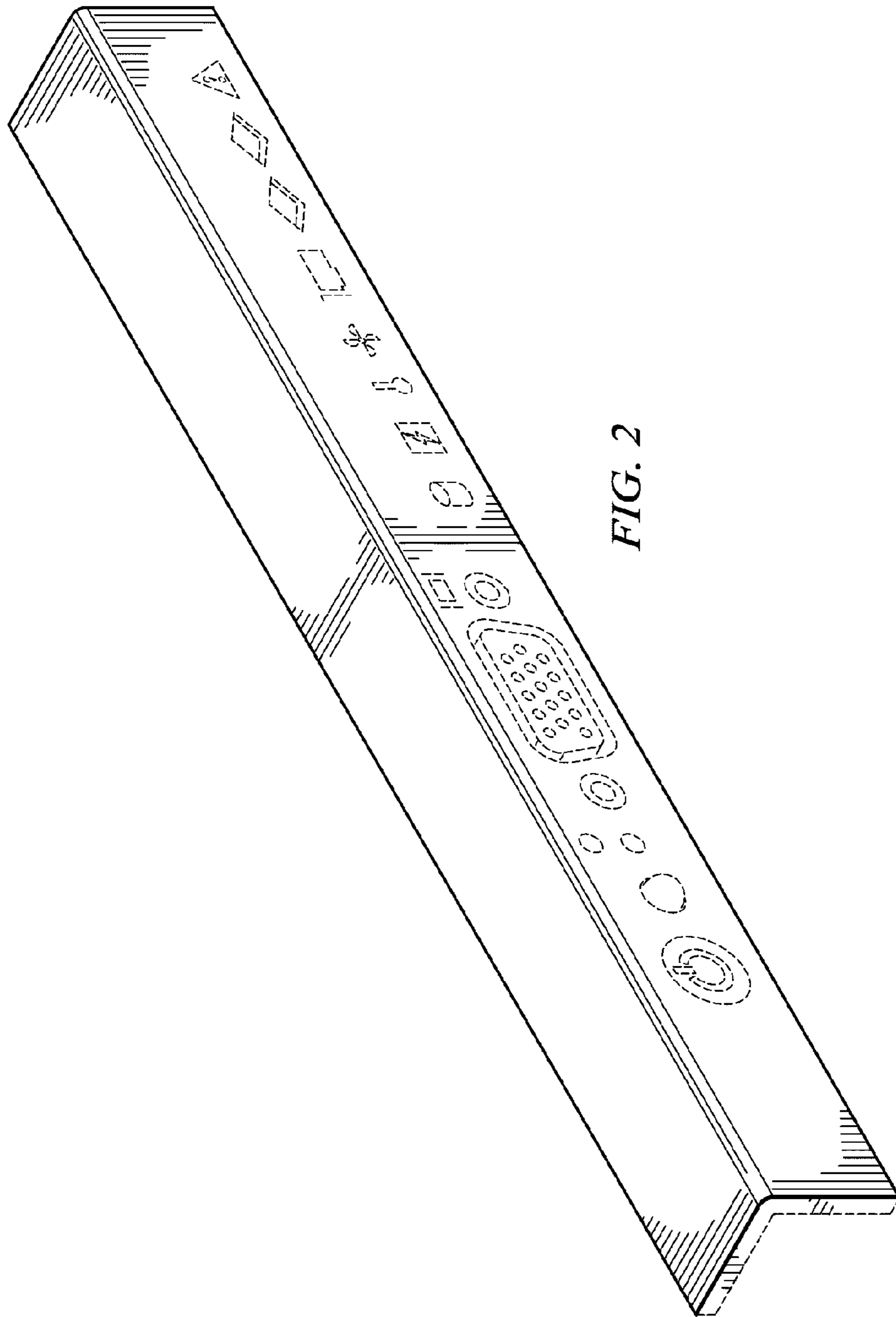


FIG. 2

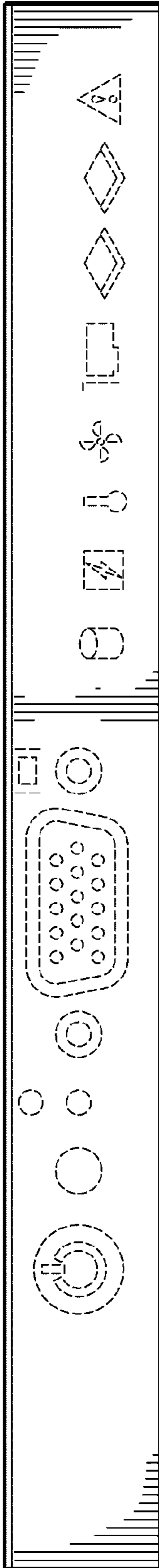


FIG. 3

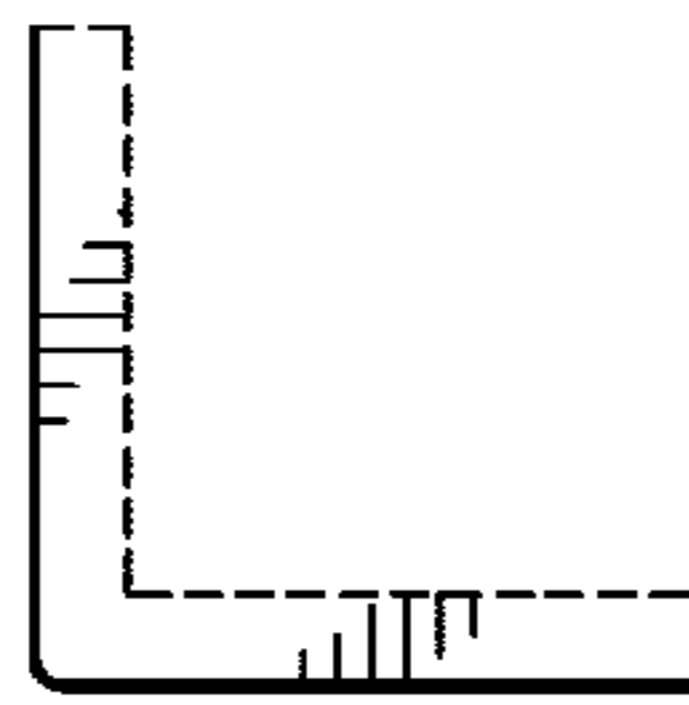


FIG. 4

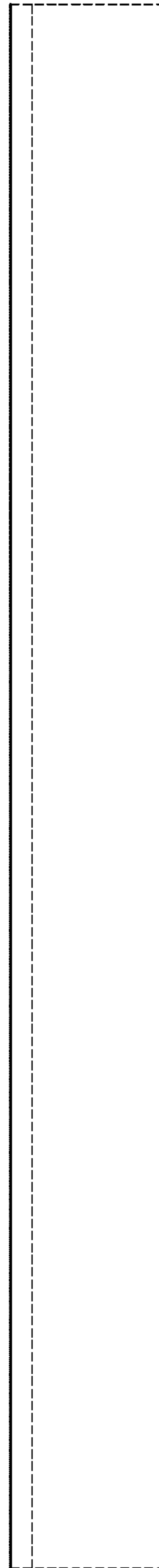
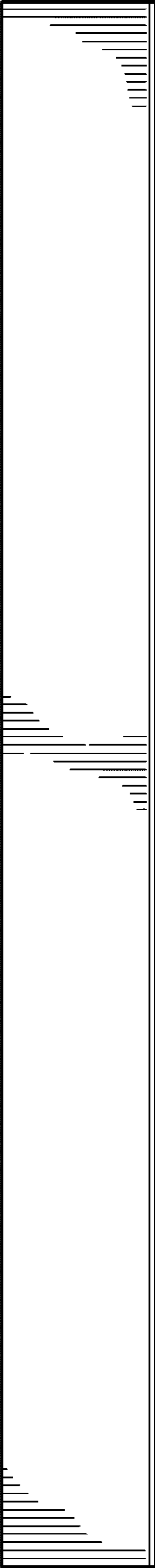
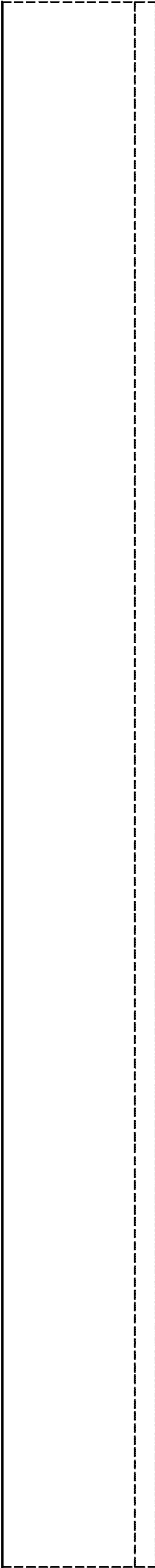


FIG. 5



*FIG. 6*



*FIG. 7*