



US00D650784S

(12) **United States Design Patent**
Feldstein et al.

(10) **Patent No.:** **US D650,784 S**

(45) **Date of Patent:** **** Dec. 20, 2011**

(54) **TABLET WALL DOCK**

(75) Inventors: **George Feldstein**, Cresskill, NJ (US);
Timothy Wickham, Tappan, NY (US)

(73) Assignee: **Crestron Electronics Inc.**, Rockleigh,
NJ (US)

(**) Term: **14 Years**

(21) Appl. No.: **29/367,201**

(22) Filed: **Aug. 4, 2010**

(51) **LOC (9) Cl.** **14-02**

(52) **U.S. Cl.** **D14/434**

(58) **Field of Classification Search** D14/432-434,
D14/314, 204, 420, 421, 447, 217, 358, 371,
D14/374, 375; D13/107, 108, 146; D8/373;
248/346.03, 176.1; 361/679.41, 679.31,
361/679.32, 679.4, 679.43, 679.55; 320/109,
320/112-115

See application file for complete search history.

(56) **References Cited**

U.S. PATENT DOCUMENTS

5,633,782 A * 5/1997 Goodman et al. 361/679.41

(Continued)

Primary Examiner — Freda S Nunn

(57) **CLAIM**

The ornamental design for a tablet wall dock, as shown and described.

DESCRIPTION

FIG. 1 shows a right isometric view of a first embodiment of a tablet wall dock in a closed position.

FIG. 2 shows a left isometric view of the first embodiment of the tablet wall dock in the closed position.

FIG. 3 shows a front elevational view of the first embodiment of the tablet wall dock in the closed position.

FIG. 4 shows a front elevational view of the first embodiment of the tablet wall dock in the closed position and in a vertical orientation.

FIG. 5 shows a top plan view of the first embodiment of the tablet wall dock in the closed position.

FIG. 6 shows a bottom plan view of the first embodiment of the tablet wall dock in the closed position.

FIG. 7 shows a left elevational view of the first embodiment of the tablet wall dock in the closed position.

FIG. 8 shows a right elevational view of the first embodiment of the tablet wall dock in the closed position.

FIG. 9 shows a right isometric view of the first embodiment of the tablet wall dock in an open position.

FIG. 10 shows a left isometric view of the first embodiment of the tablet wall dock in the open position.

FIG. 11 shows a top plan view of the first embodiment of the tablet wall dock in the open position.

FIG. 12 shows a bottom plan view of the first embodiment of the tablet wall dock in the open position.

FIG. 13 shows a left elevational view of the first embodiment of the tablet wall dock in the open position.

FIG. 14 shows a right elevational view of the first embodiment of the tablet wall dock in the open position.

FIG. 15 shows a left isometric view of a second embodiment of the tablet wall dock in the closed position.

FIG. 16 shows a right isometric view of the second embodiment of the tablet wall dock in the closed position.

FIG. 17 shows a front elevational view of the second embodiment of the tablet wall dock in the closed position.

FIG. 18 shows a top plan view of the second embodiment of the tablet wall dock in the closed position.

FIG. 19 shows a bottom plan view of the second embodiment of the tablet wall dock in the closed position.

FIG. 20 shows a left elevational view of the second embodiment of the tablet wall dock in the closed position.

FIG. 21 shows a right elevational view of the second embodiment of the tablet wall dock in the closed position.

FIG. 22 shows a left isometric view of the second embodiment of the tablet wall dock in the open position.

FIG. 23 shows a right isometric view of the second embodiment of the tablet wall dock in the open position.

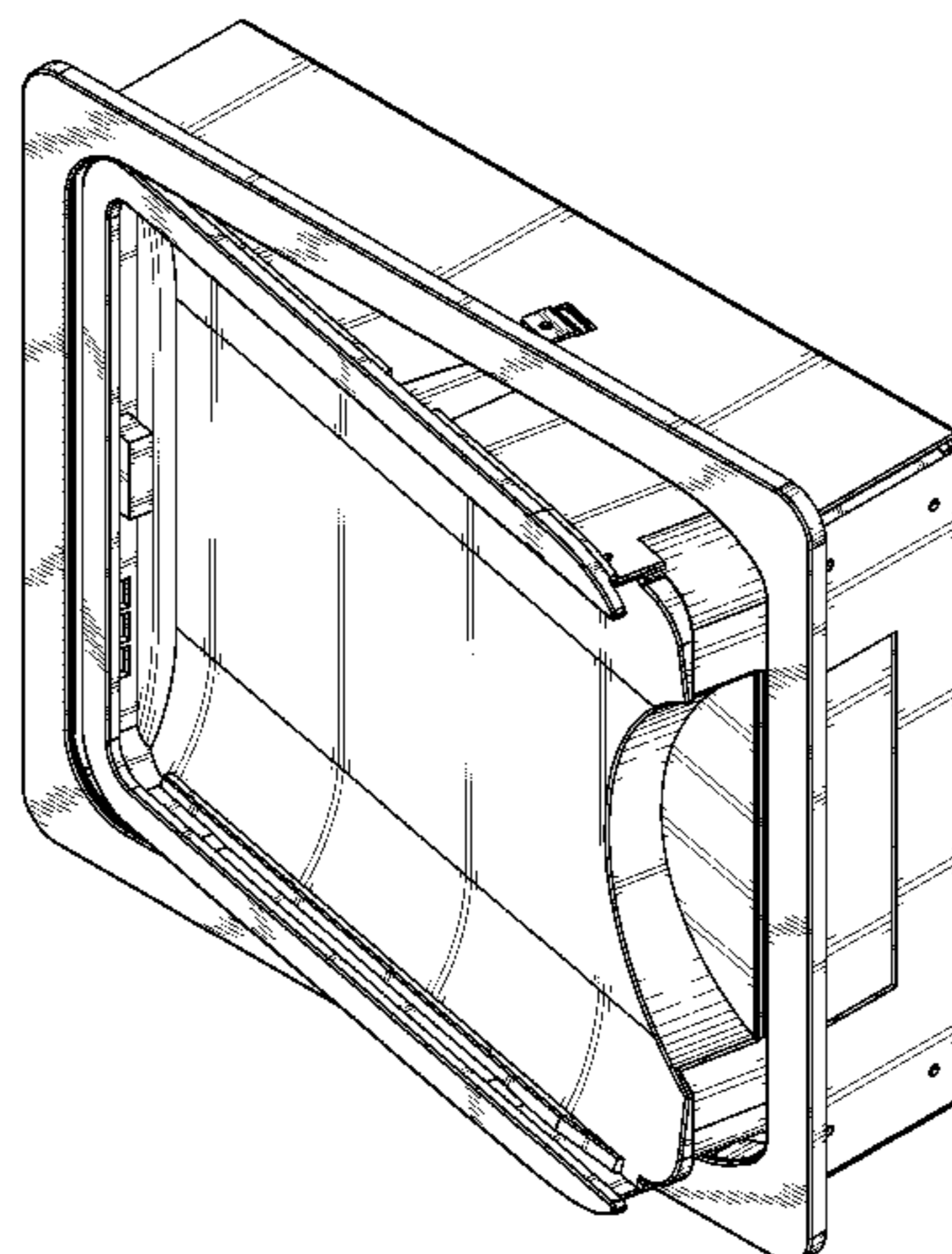
FIG. 24 shows a top plan view of the second embodiment of the tablet wall dock in the open position.

FIG. 25 shows a bottom plan view of the second embodiment of the tablet wall dock in the open position.

FIG. 26 shows a left elevational view of the second embodiment of the tablet wall dock in the open position; and,

FIG. 27 shows a right elevational view of the second embodiment of the tablet wall dock in the open position.

1 Claim, 19 Drawing Sheets



US D650,784 S

Page 2

U.S. PATENT DOCUMENTS

5,751,548	A *	5/1998	Hall et al.	361/679.41	7,586,743	B2 *	9/2009	Lin	361/679.55
D445,087	S *	7/2001	Skoger et al.	D13/108	7,684,185	B2 *	3/2010	Farrugia	361/679.41
6,643,127	B1 *	11/2003	Richardson	361/679.4	7,708,240	B2 *	5/2010	Homer et al.	248/130
7,068,496	B2 *	6/2006	Wong et al.	361/679.28	2003/0235029	A1 *	12/2003	Doherty et al.	361/683
7,503,538	B2 *	3/2009	Liou et al.	248/447	2006/0250767	A1 *	11/2006	Brophy et al.	361/686
7,515,408	B2 *	4/2009	Bakker et al.	361/679.33					

* cited by examiner

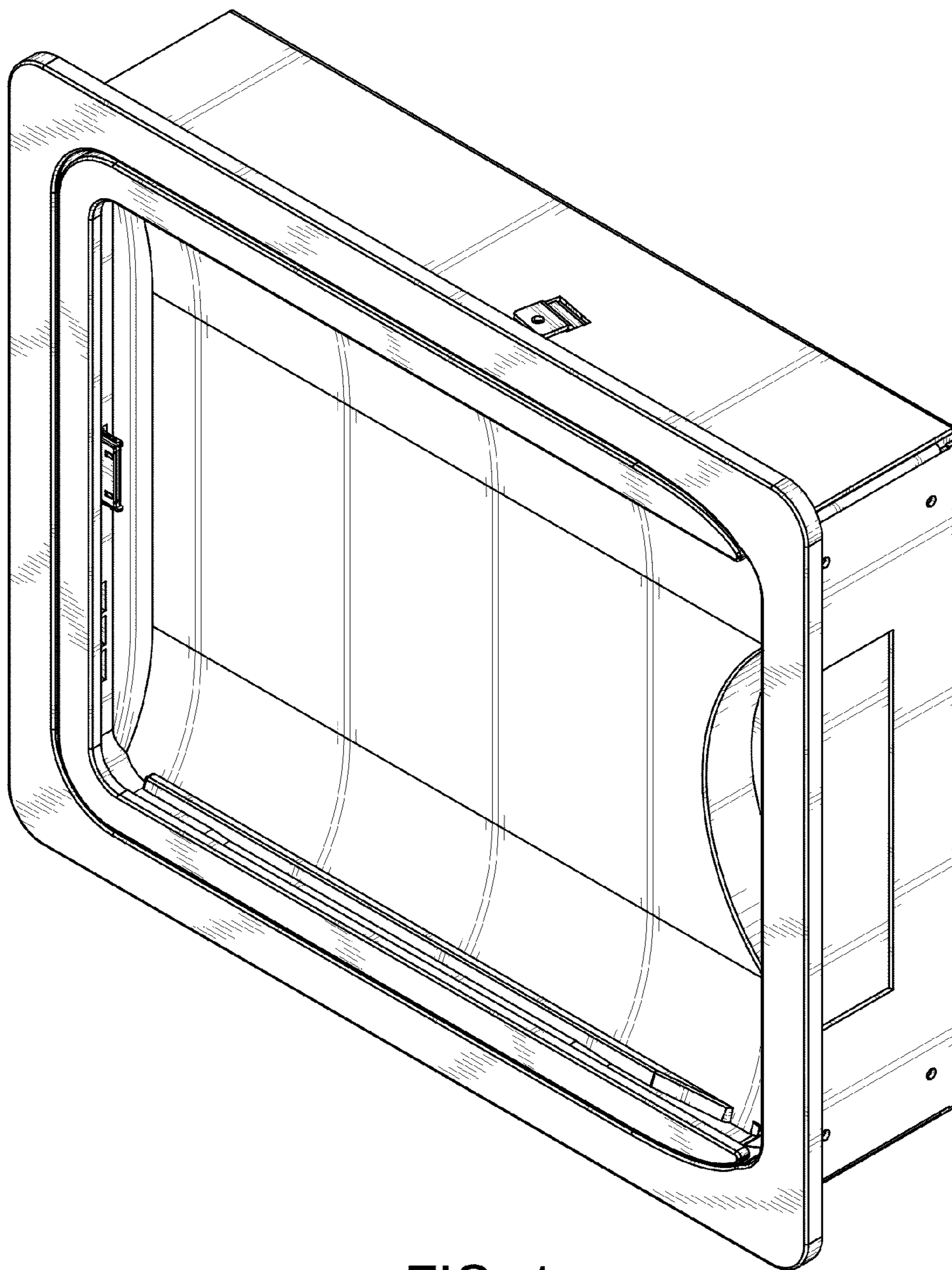


FIG. 1

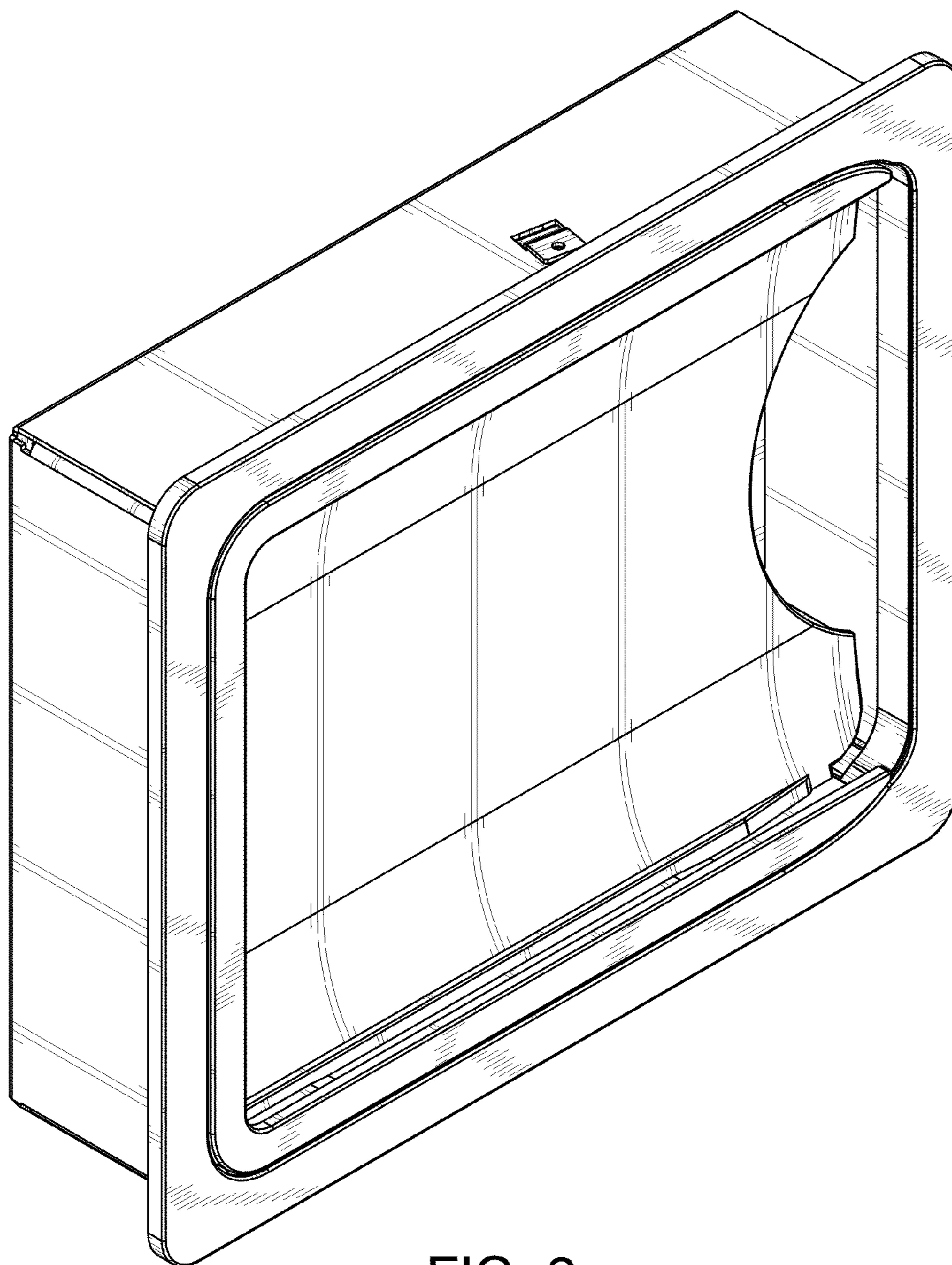


FIG. 2

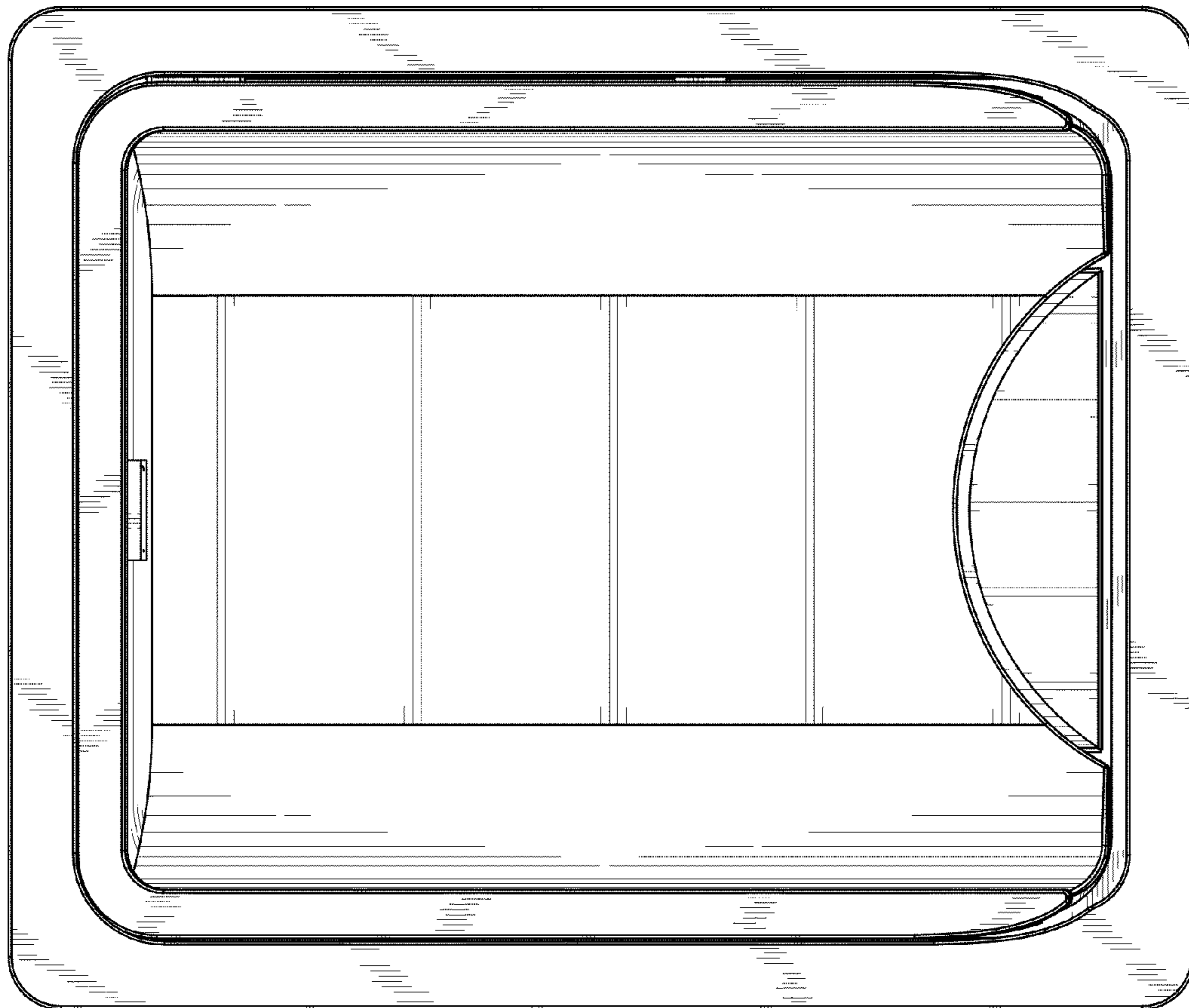


FIG. 3

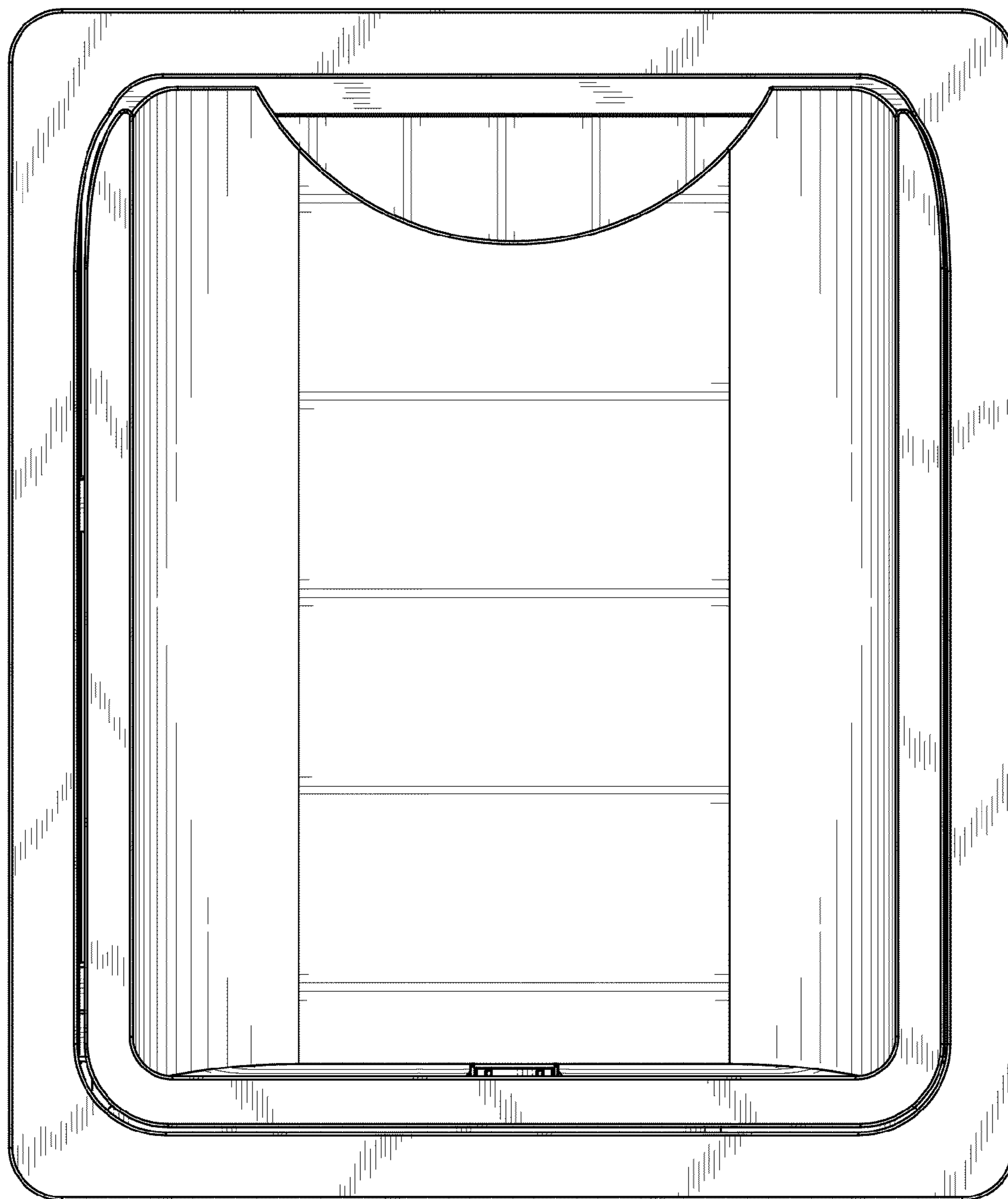


FIG. 4

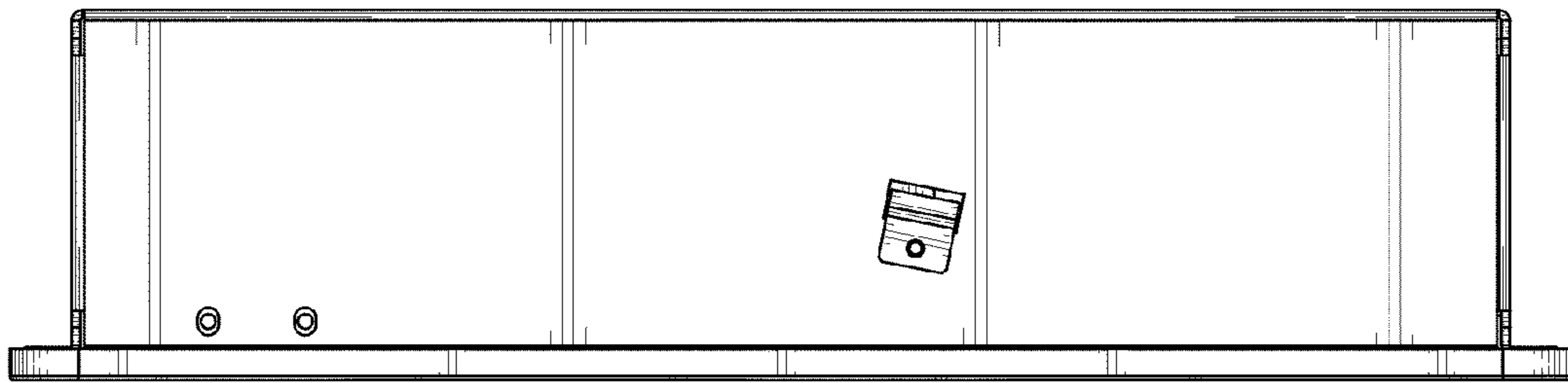


FIG. 5

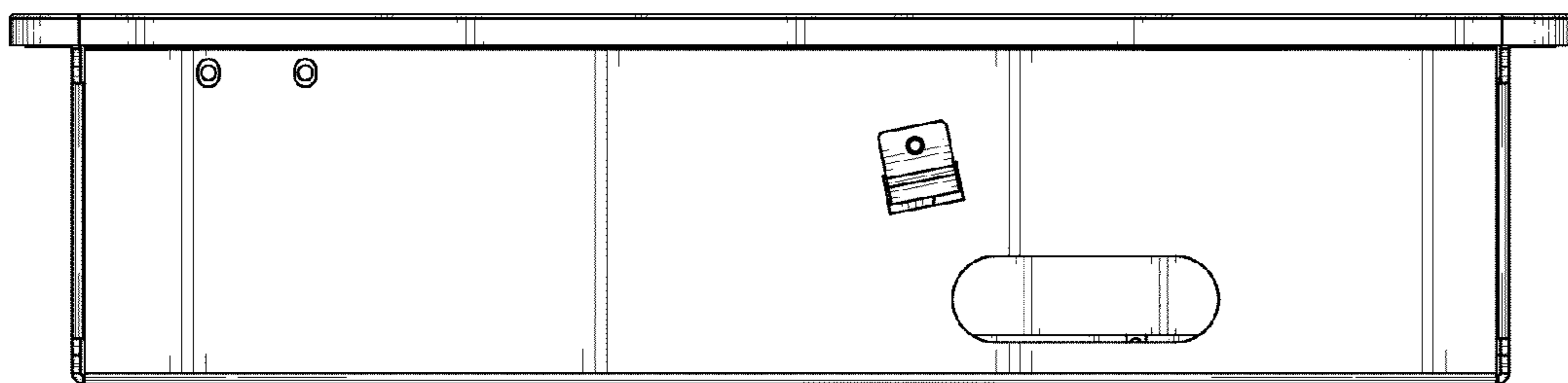


FIG. 6

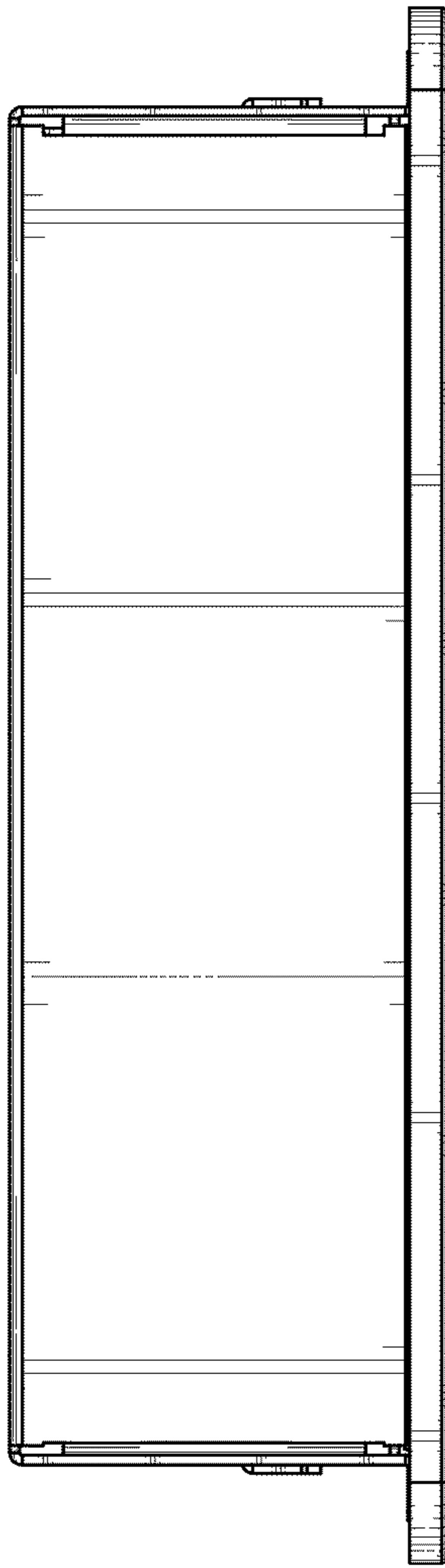


FIG. 7

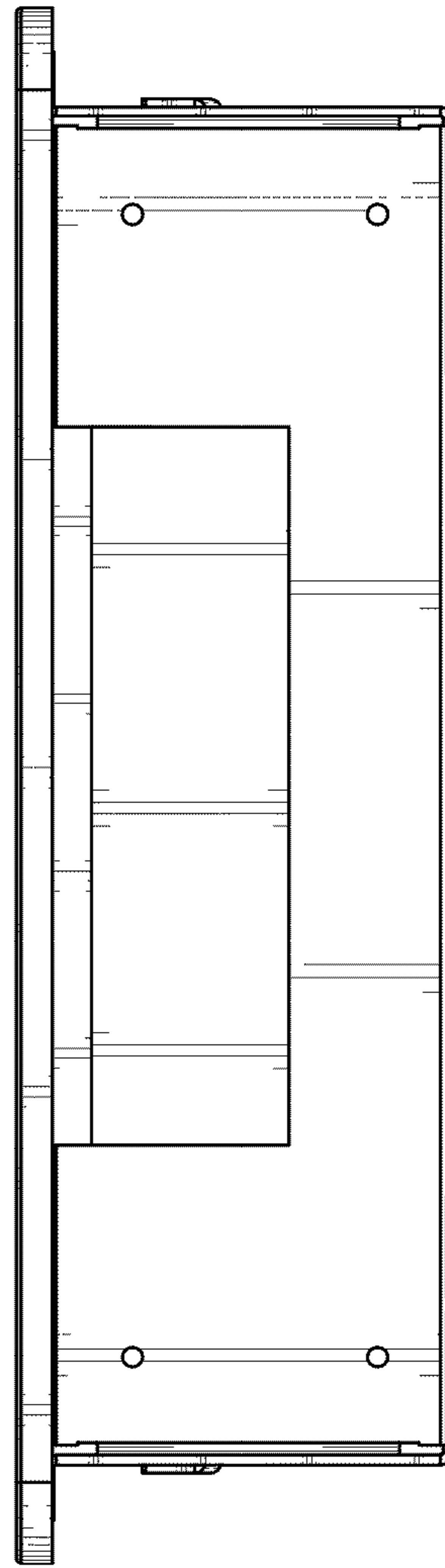


FIG. 8

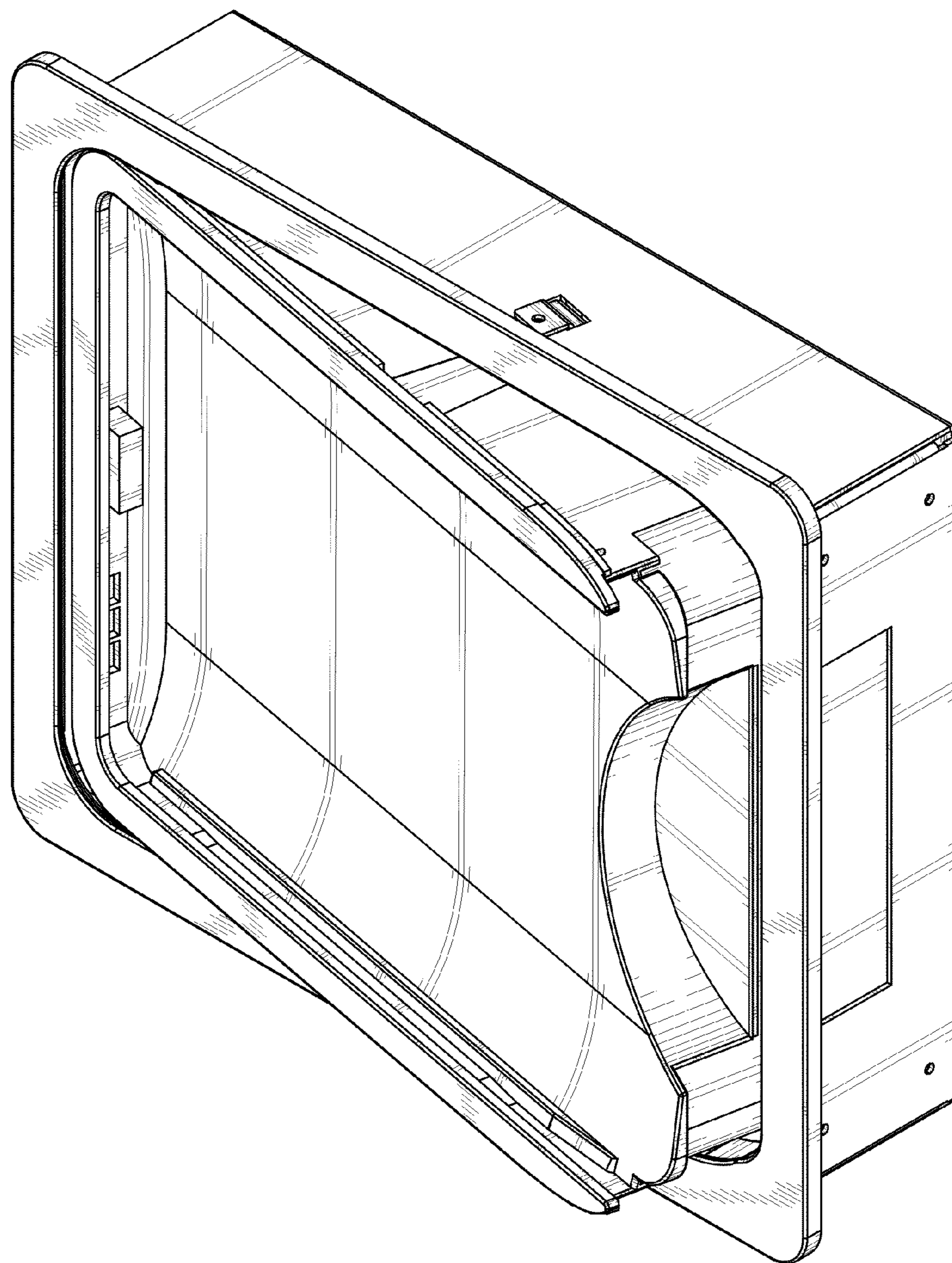


FIG. 9

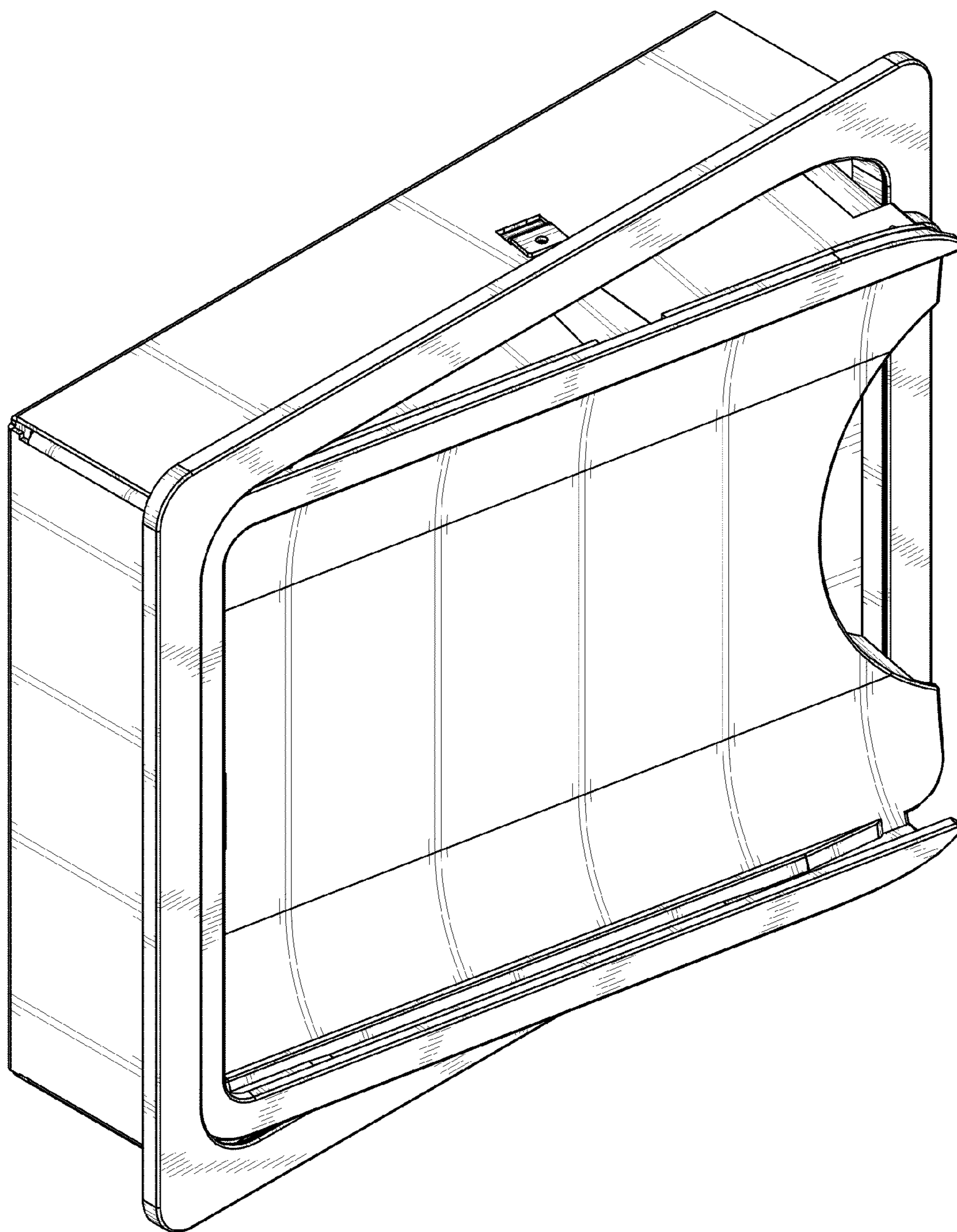


FIG. 10

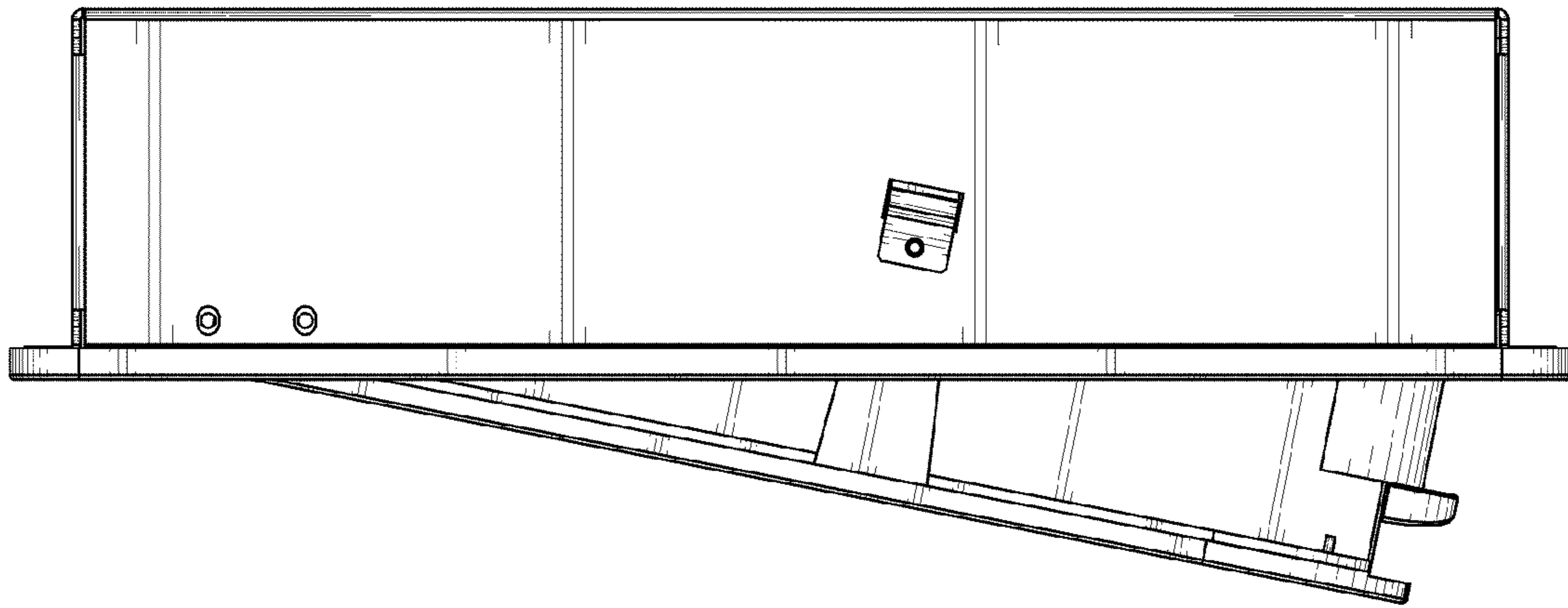


FIG. 11

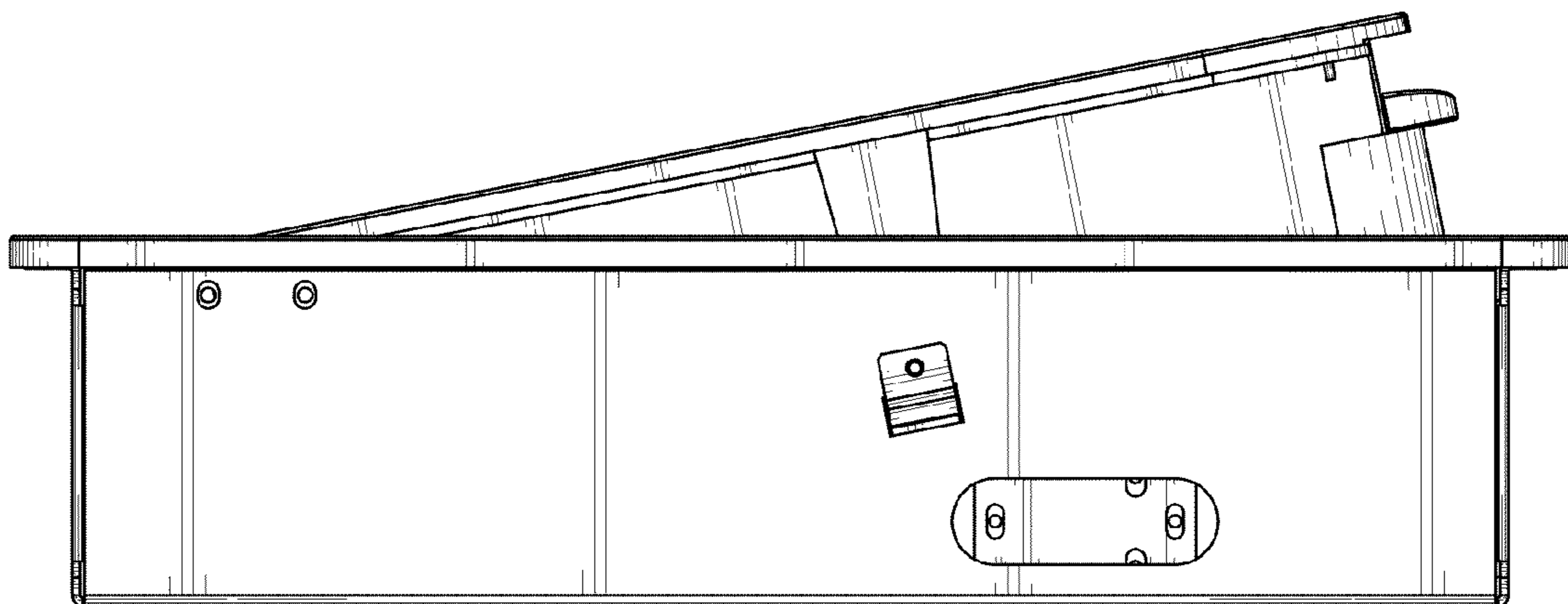


FIG. 12

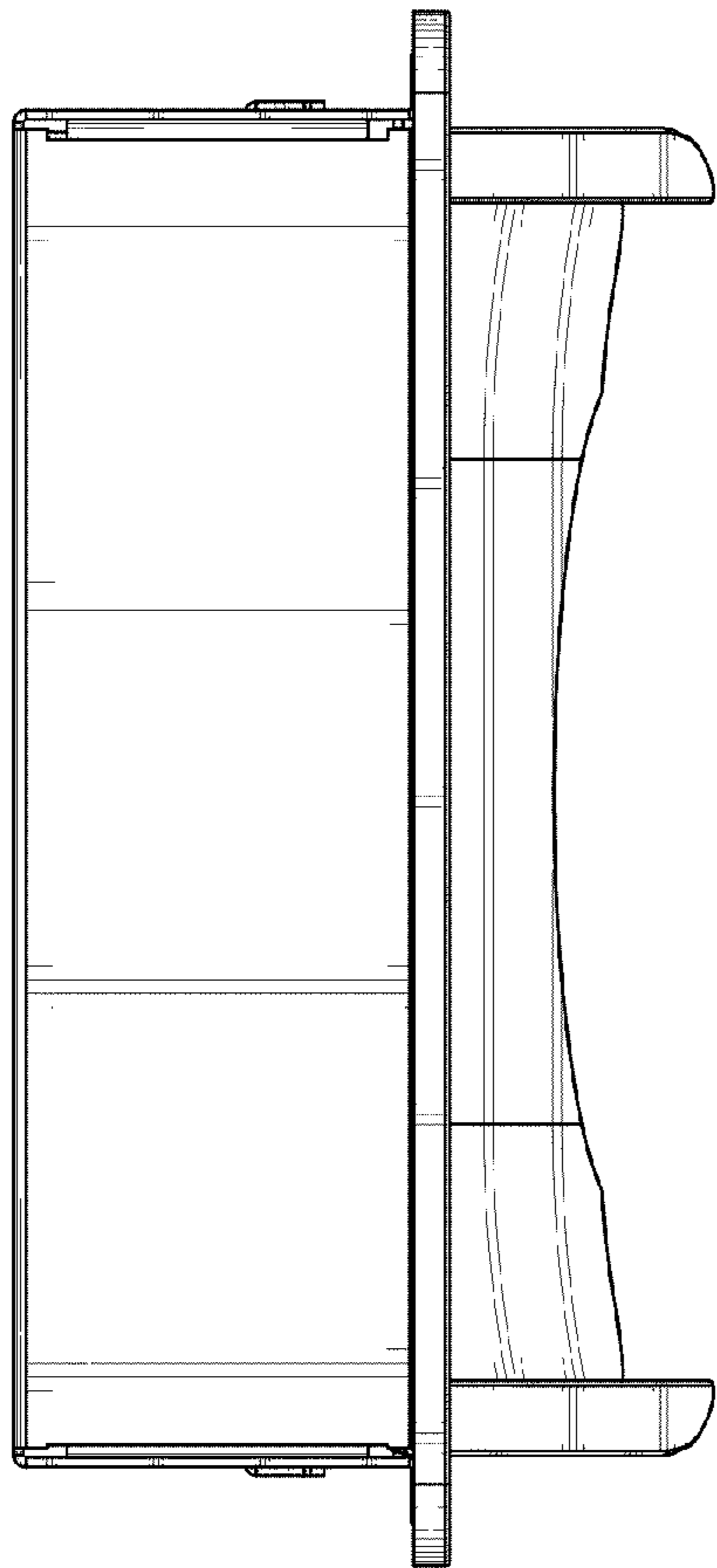


FIG. 13

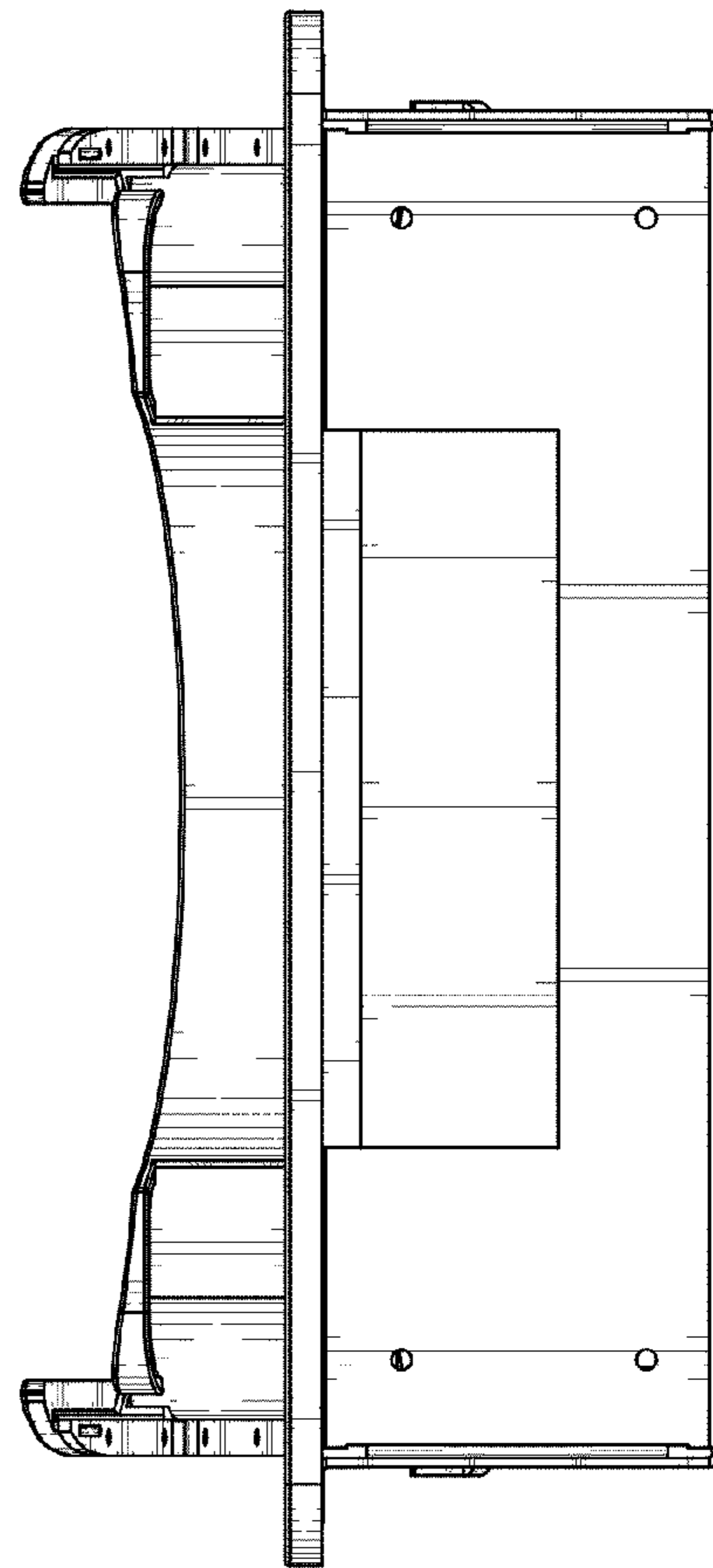


FIG. 14

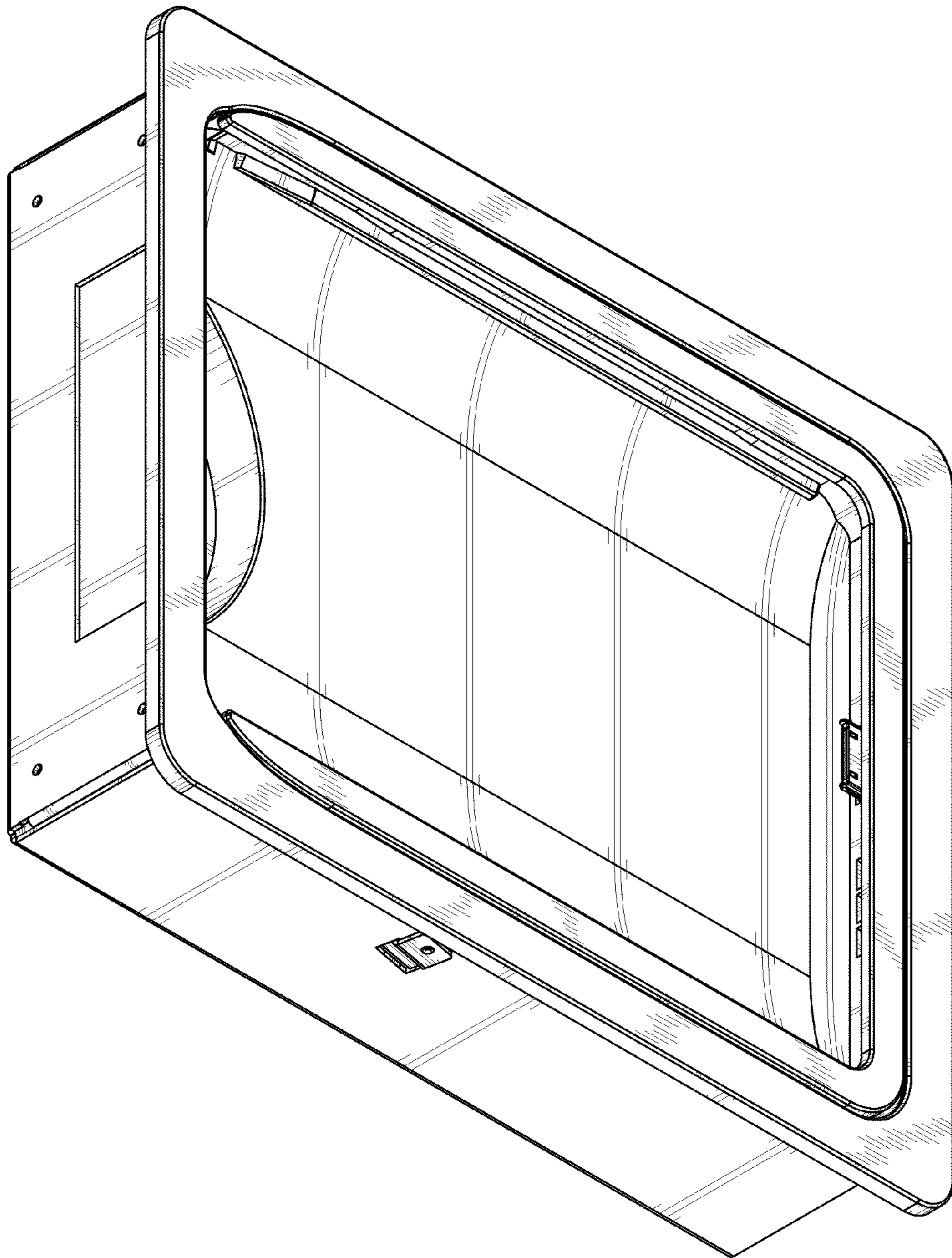


FIG. 15

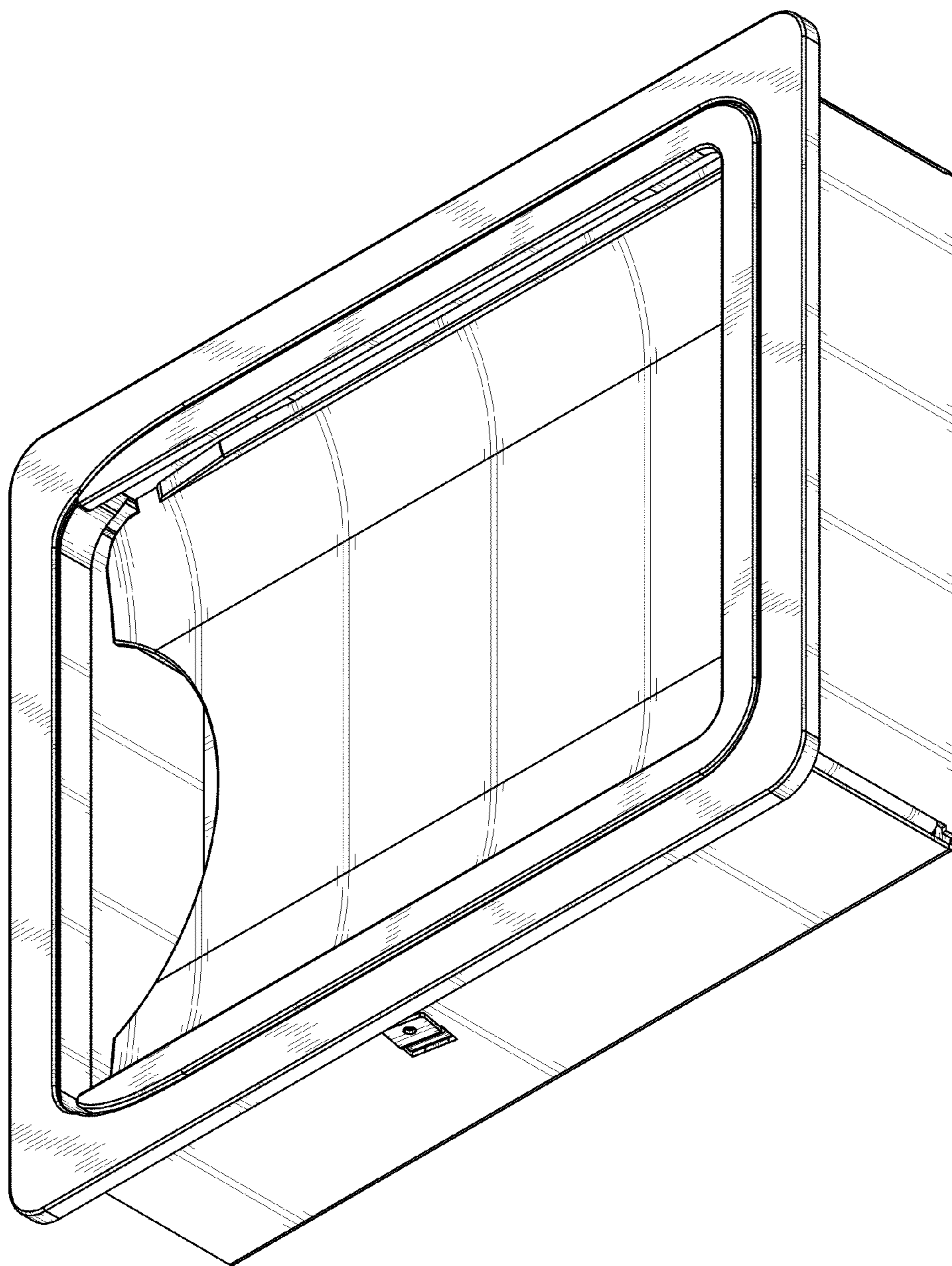


FIG. 16

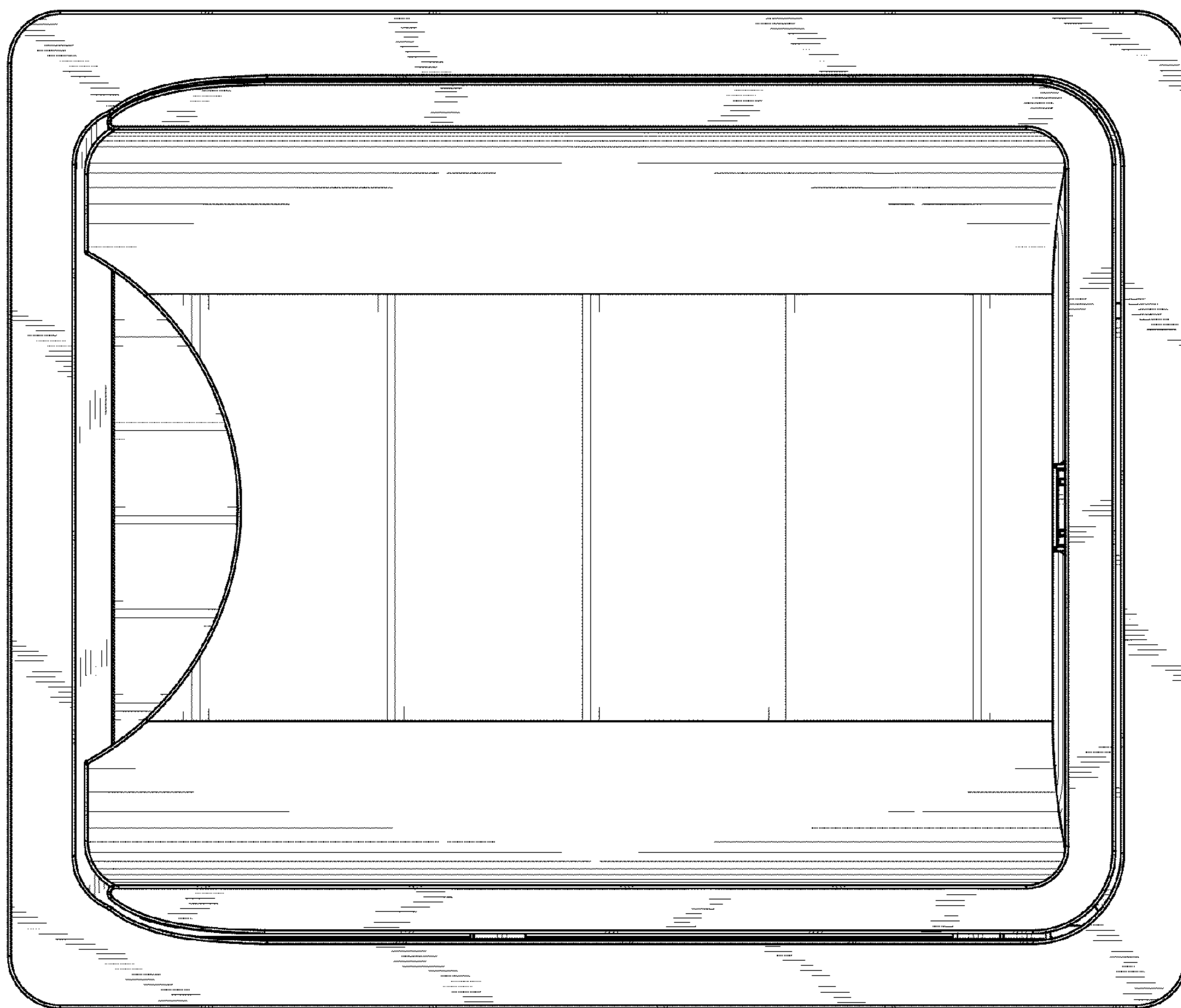


FIG. 17

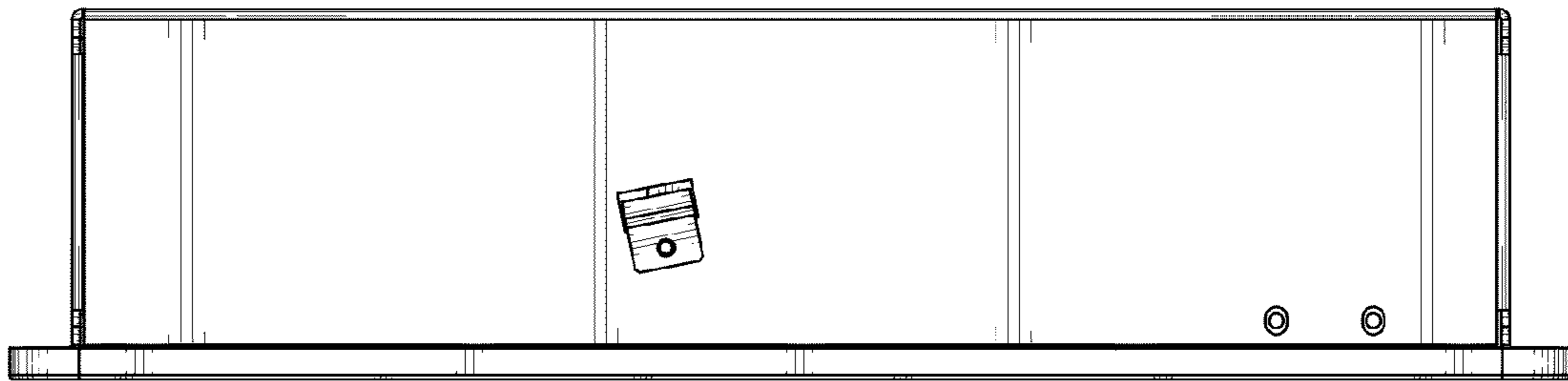


FIG. 18

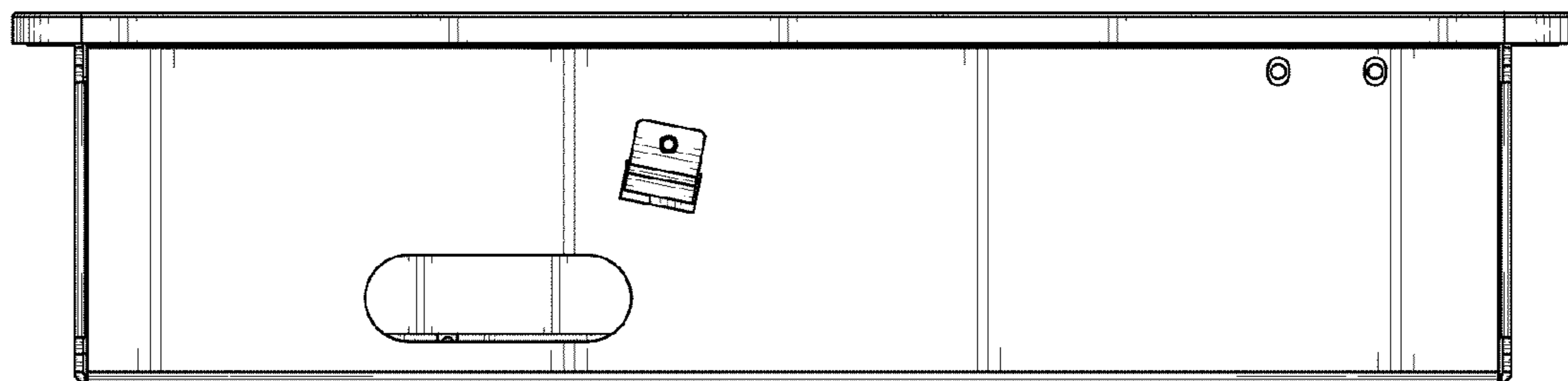


FIG. 19

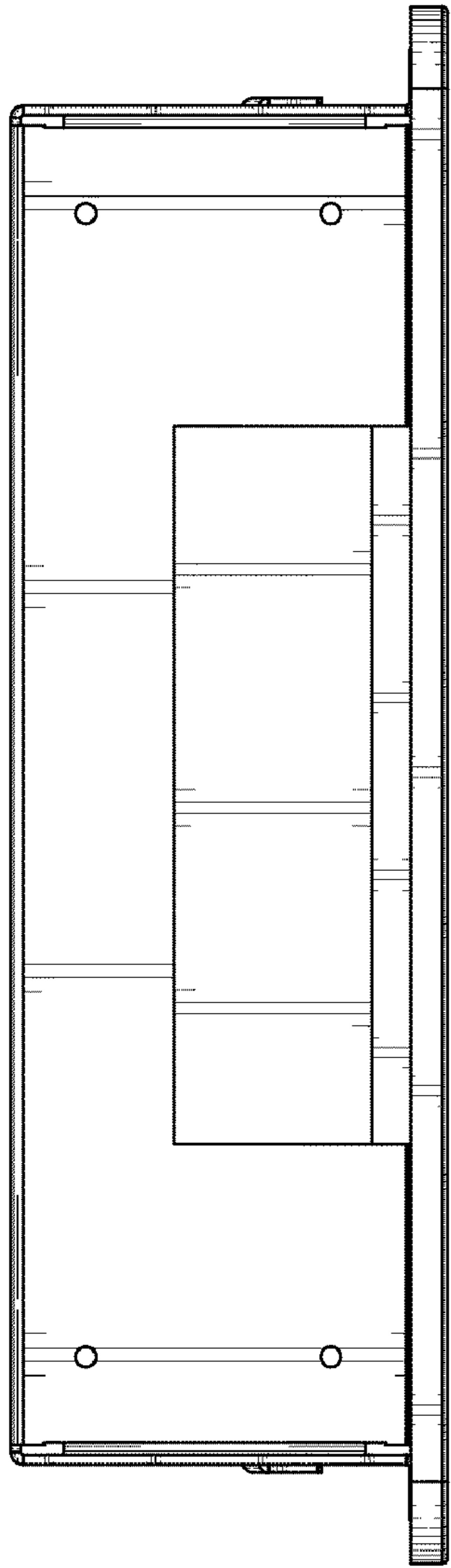


FIG. 20

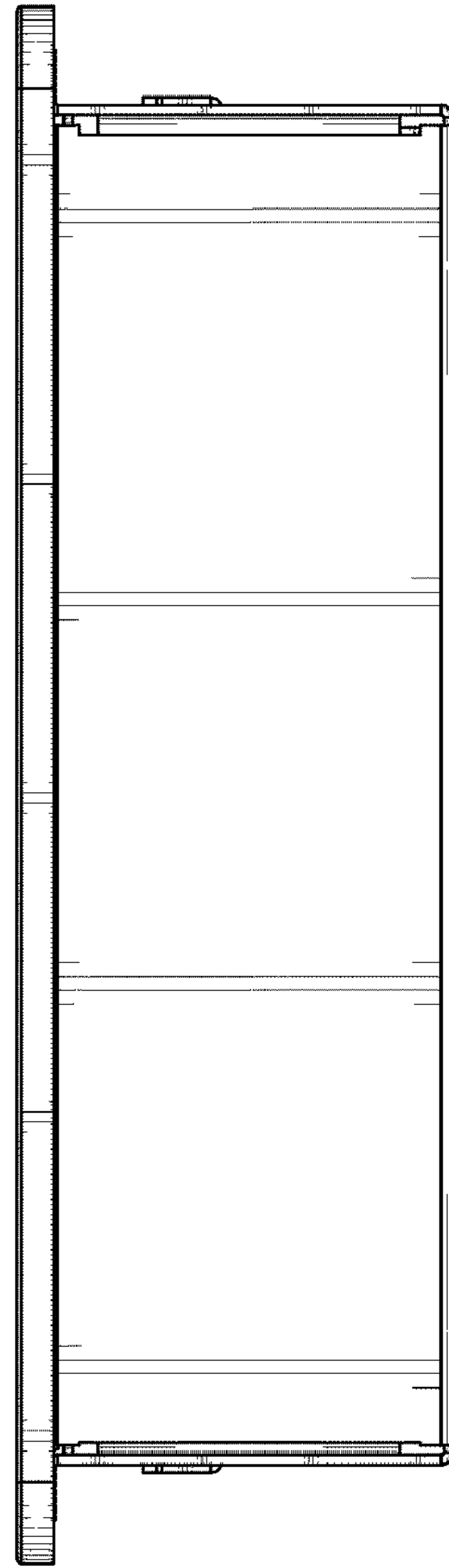


FIG. 21

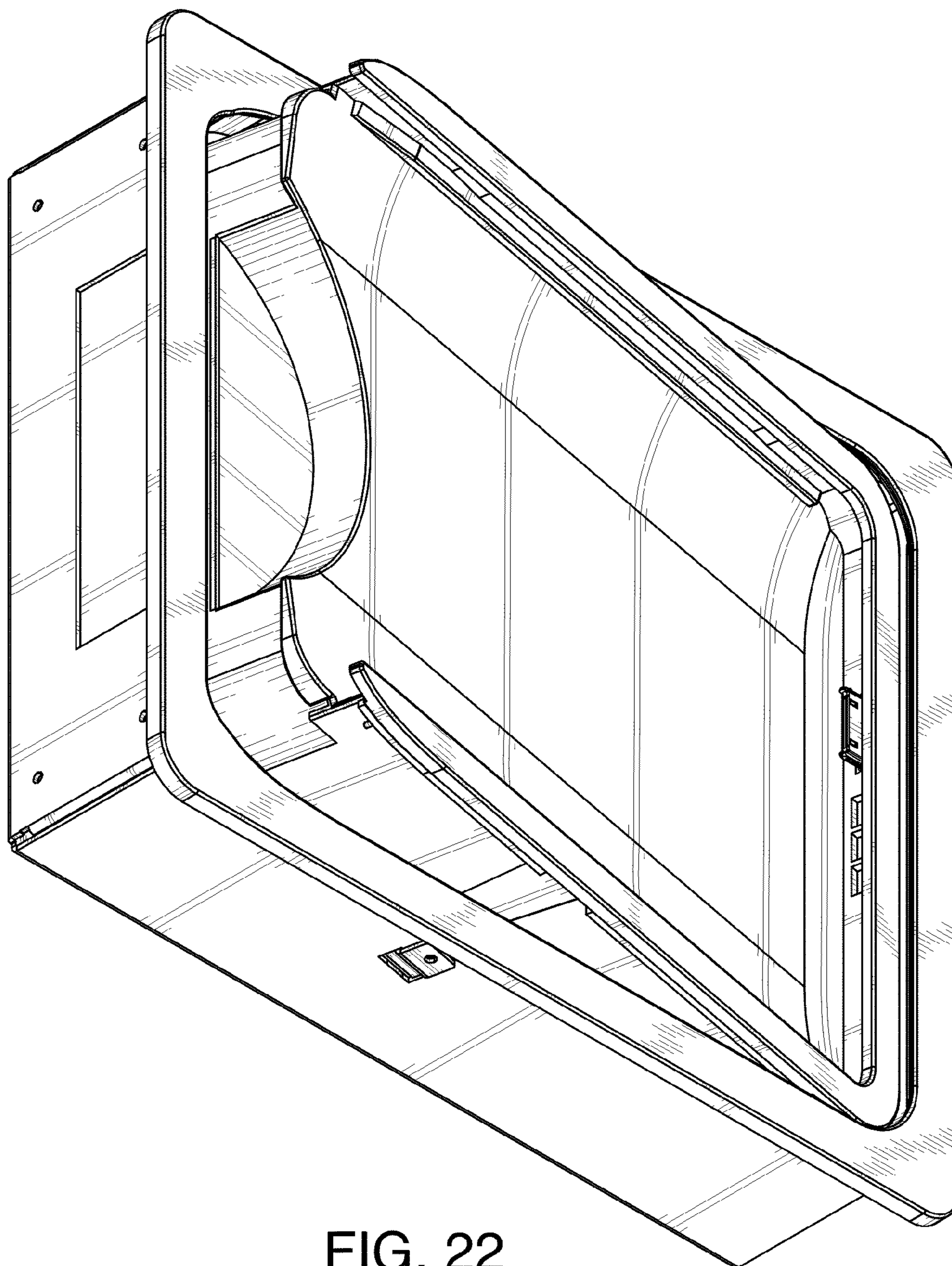


FIG. 22

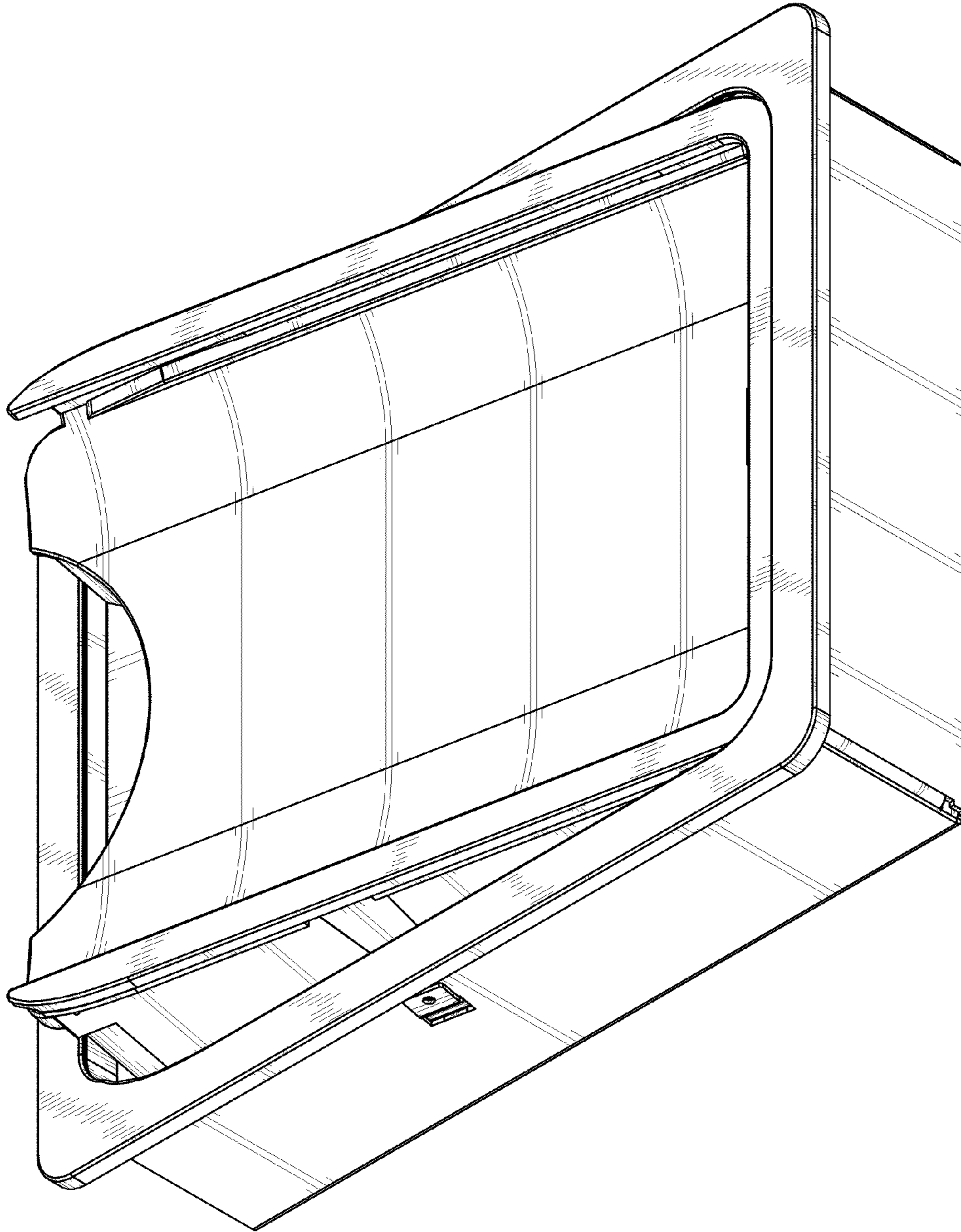


FIG. 23

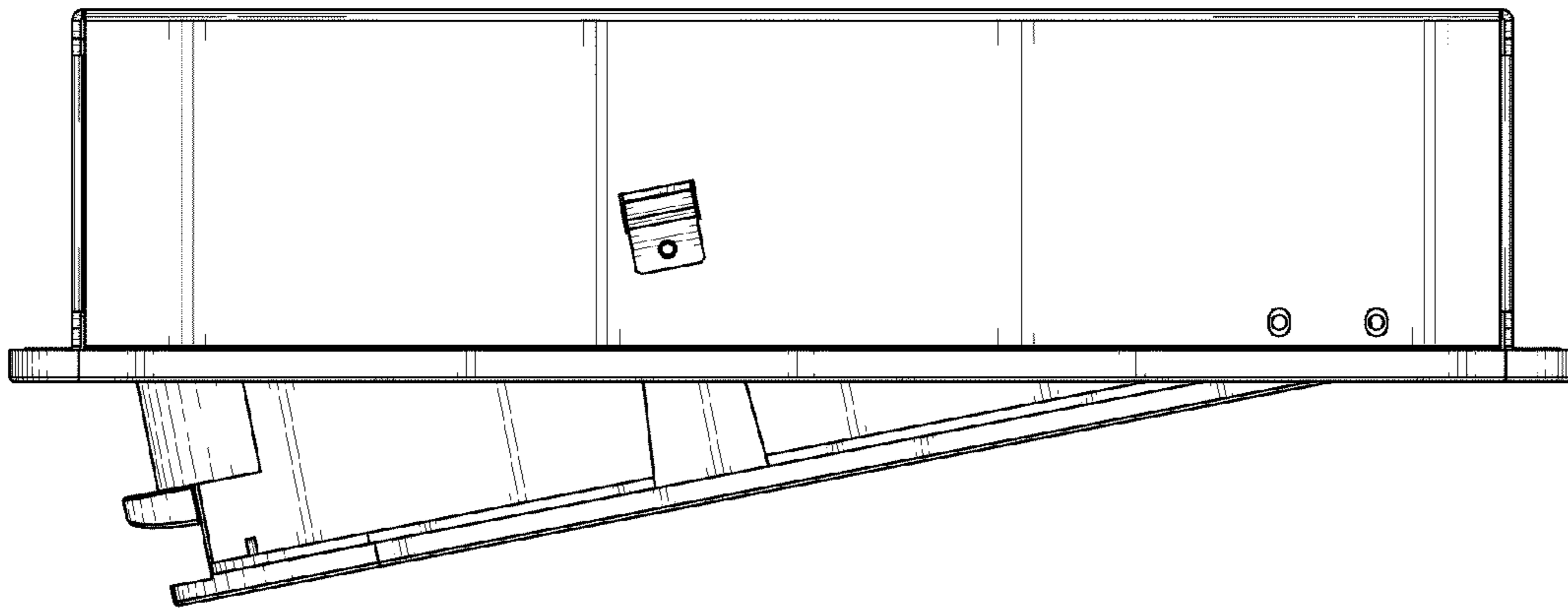


FIG. 24

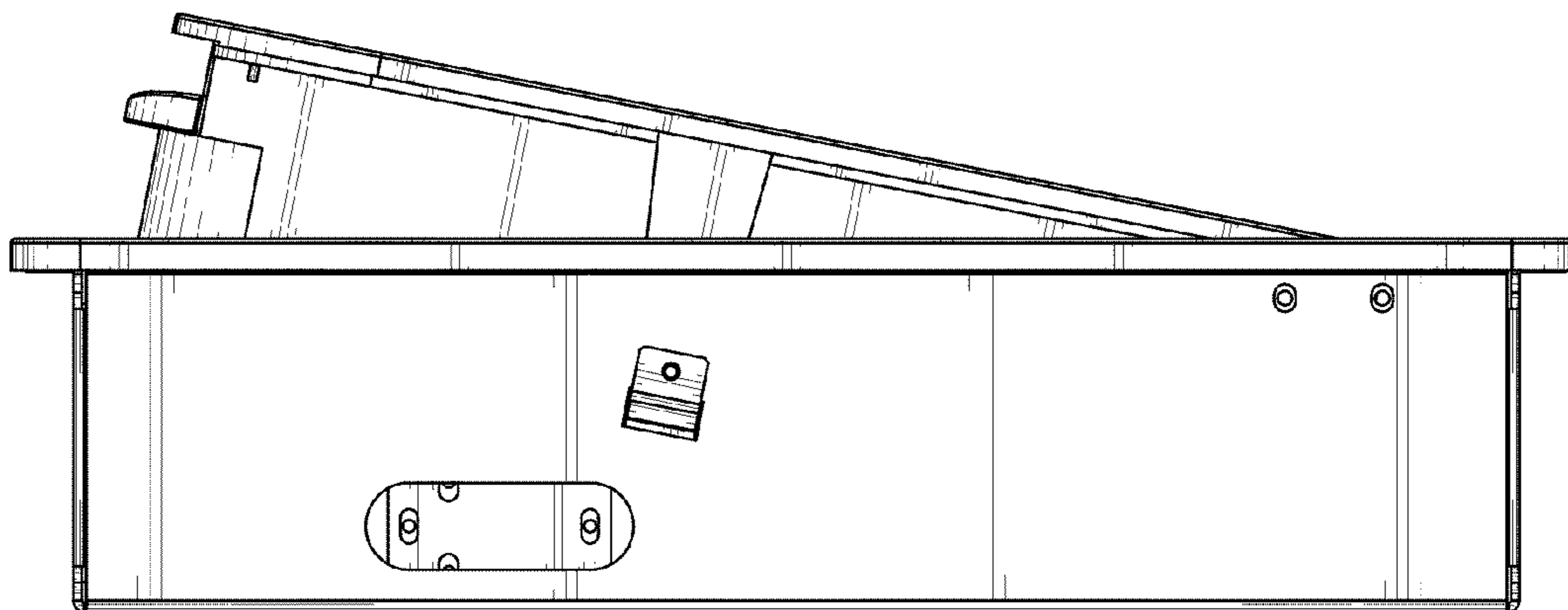


FIG. 25

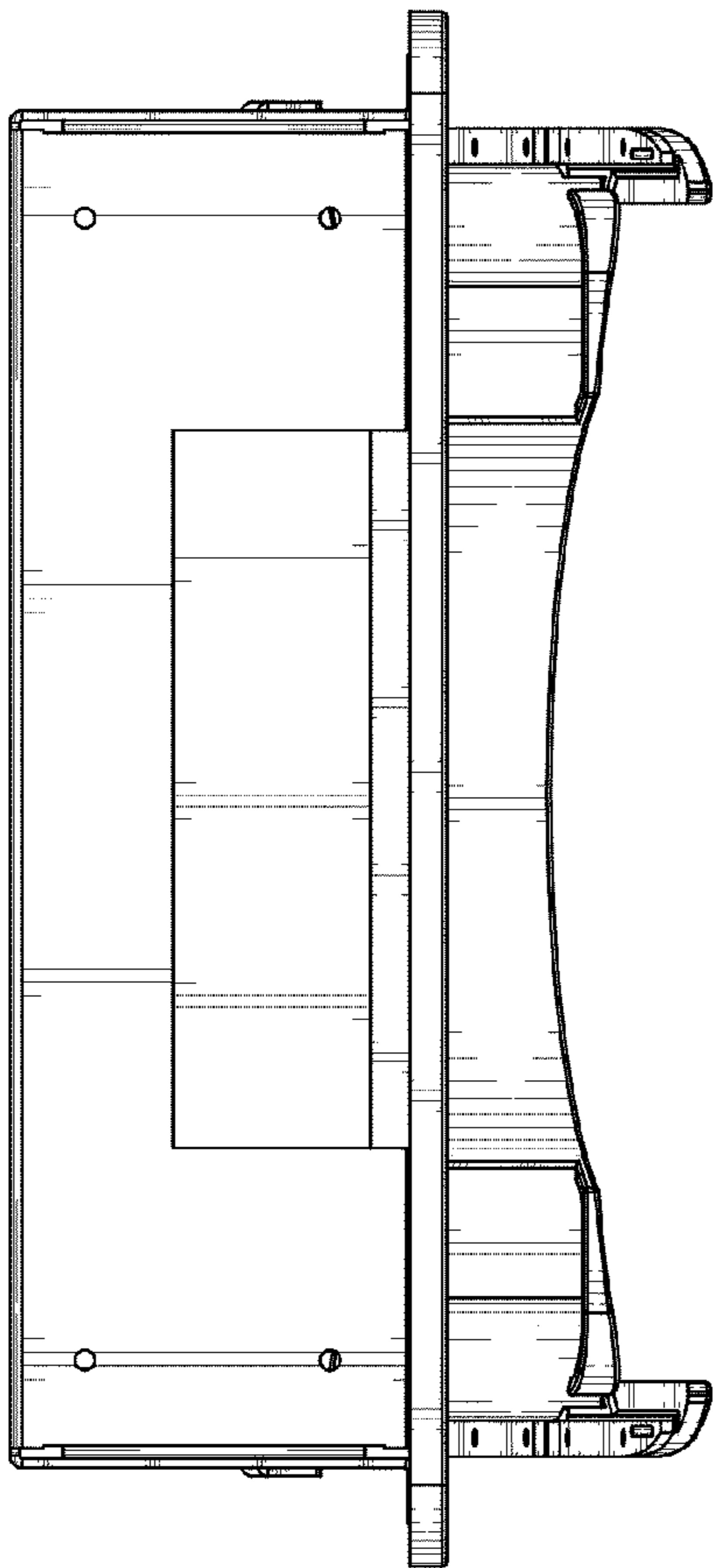


FIG. 26

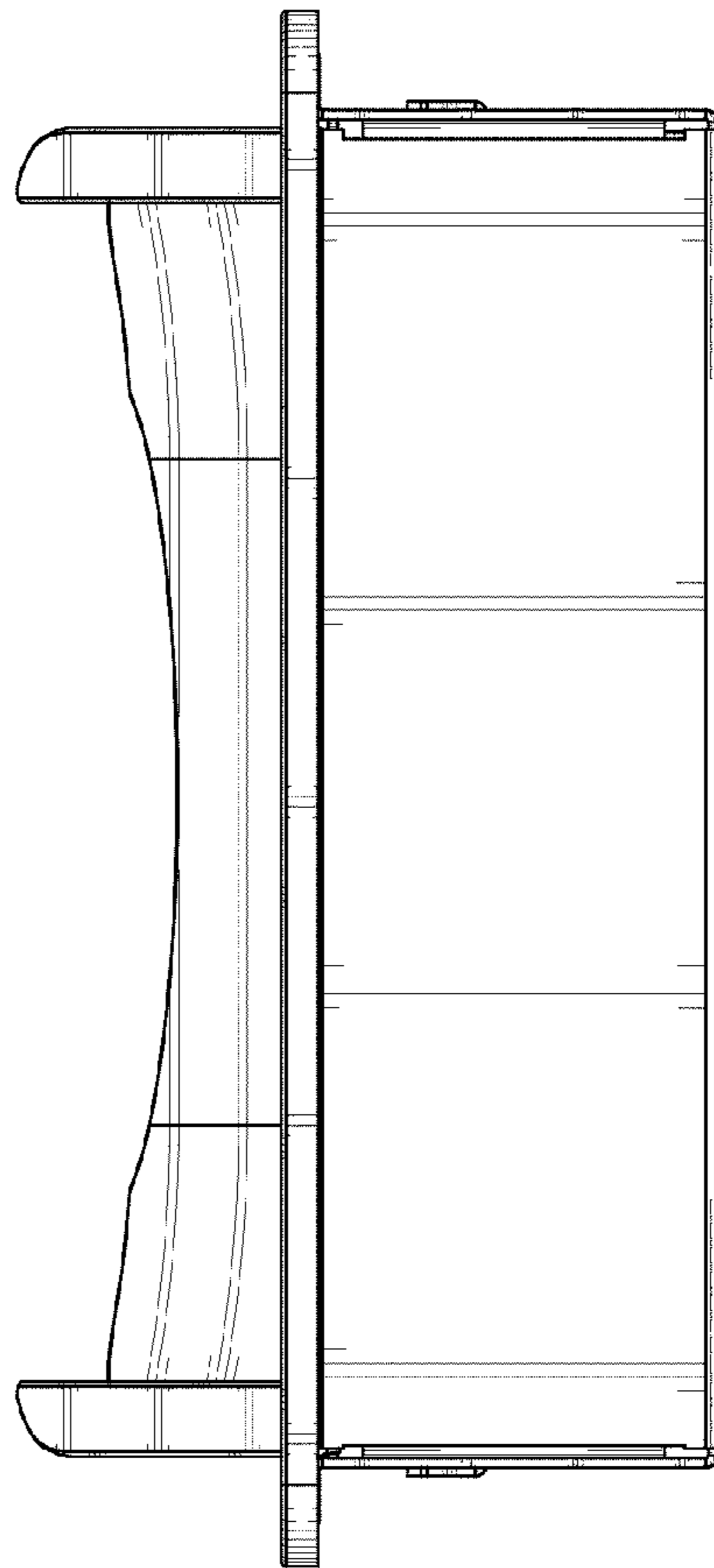


FIG. 27