



US00D650783S

(12) **United States Design Patent**
Ausfeld et al.

(10) **Patent No.:** **US D650,783 S**

(45) **Date of Patent:** **** Dec. 20, 2011**

(54) **TABLET DOCK**

(75) Inventors: **Jeffrey Ausfeld**, New York, NY (US);
George Feldstein, Cresskill, NJ (US)

(73) Assignee: **Creston Electronics Inc.**, Rockleigh, NJ
(US)

(**) Term: **14 Years**

(21) Appl. No.: **29/366,893**

(22) Filed: **Jul. 30, 2010**

(51) **LOC (9) Cl.** **14-02**

(52) **U.S. Cl.** **D14/434; D13/107; D13/108;**
D14/374

(58) **Field of Classification Search** D14/432-434,
D14/314, 204, 420, 421, 447, 217, 358, 371,
D14/374, 375; D13/107, 108, 146; D8/373;
248/346.03, 176.1; 361/679.41, 679.31,
361/679.32, 679.4, 679.43, 679.55; 320/109,
320/112-115

See application file for complete search history.

(56) **References Cited**

U.S. PATENT DOCUMENTS

| | | | | | |
|-----------|------|---------|----------------|-------|------------|
| 5,633,782 | A * | 5/1997 | Goodman et al. | | 361/679.41 |
| 5,751,548 | A * | 5/1998 | Hall et al. | | 361/679.41 |
| D445,087 | S * | 7/2001 | Skoger et al. | | D13/108 |
| 6,643,127 | B1 * | 11/2003 | Richardson | | 361/679.4 |
| 7,068,496 | B2 * | 6/2006 | Wong et al. | | 361/679.28 |
| 7,503,538 | B2 * | 3/2009 | Liou et al. | | 248/447 |
| 7,515,408 | B2 * | 4/2009 | Bakker et al. | | 361/679.33 |
| 7,586,743 | B2 * | 9/2009 | Lin | | 361/679.55 |
| 7,684,185 | B2 * | 3/2010 | Farrugia | | 361/679.41 |

| | | | | | |
|--------------|------|---------|----------------|-------|---------|
| 7,708,240 | B2 * | 5/2010 | Homer et al. | | 248/130 |
| 2003/0235029 | A1 * | 12/2003 | Doherty et al. | | 361/683 |
| 2006/0250767 | A1 * | 11/2006 | Brophy et al. | | 361/686 |

* cited by examiner

Primary Examiner — Freda S Nunn

(57) **CLAIM**

The ornamental design for a tablet dock, as shown and described.

DESCRIPTION

FIG. 1 shows a front right perspective view of a tablet dock. FIG. 2 shows a front elevational view of the tablet dock.

FIG. 3 shows a back elevational view of the tablet dock, with elements in dashed lines forming no part of the claimed design.

FIG. 4 shows a left side elevational view of the tablet dock, with elements in dashed lines forming no part of the claimed design.

FIG. 5 shows a right side elevational view of the tablet dock, with elements in dashed lines forming no part of the claimed design.

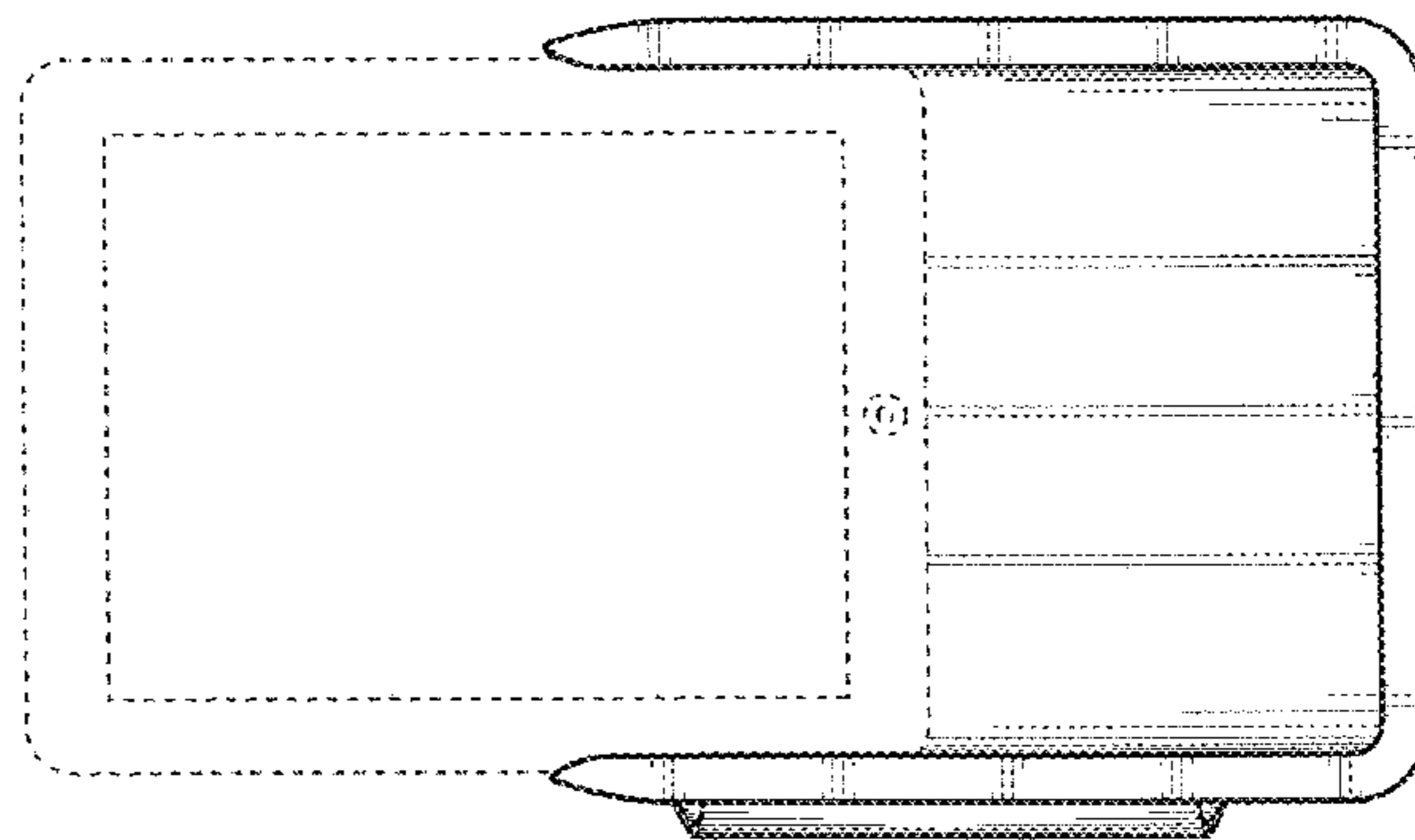
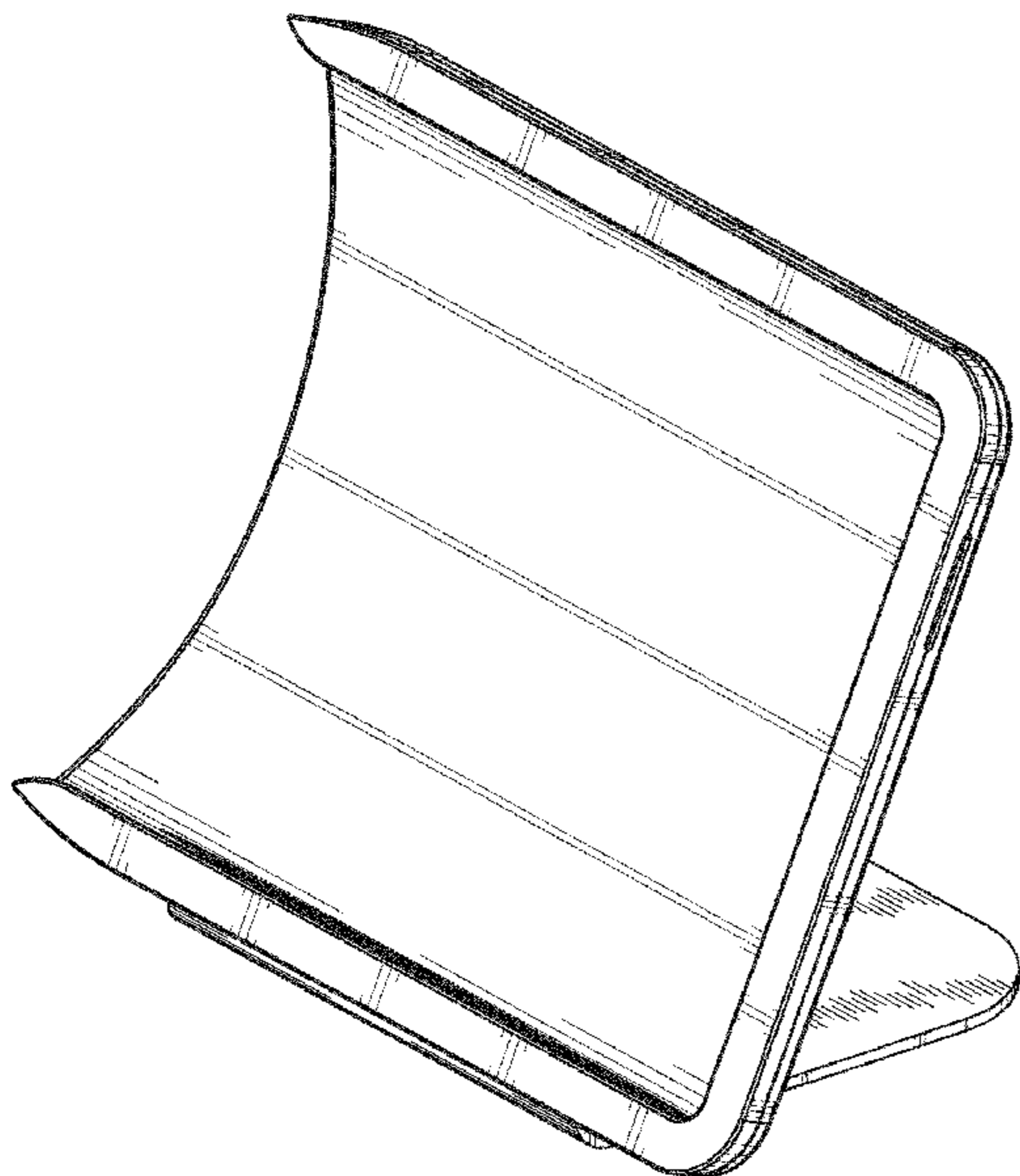
FIG. 6 shows a bottom plan view of the tablet dock.

FIG. 7 shows a front right perspective view of the tablet dock with an associated tablet docked in said tablet dock, with elements in dashed lines forming no part of the claimed design.

FIG. 8 shows a front elevational view of the tablet dock with the associated tablet docked in said tablet dock, with elements in dashed lines forming no part of the claimed design; and,

FIG. 9 shows a top front perspective view of the tablet dock with the associated tablet, said associated tablet in the process of being docked by sliding along rails included on the tablet dock, with elements in dashed lines forming no part of the claimed design.

1 Claim, 9 Drawing Sheets



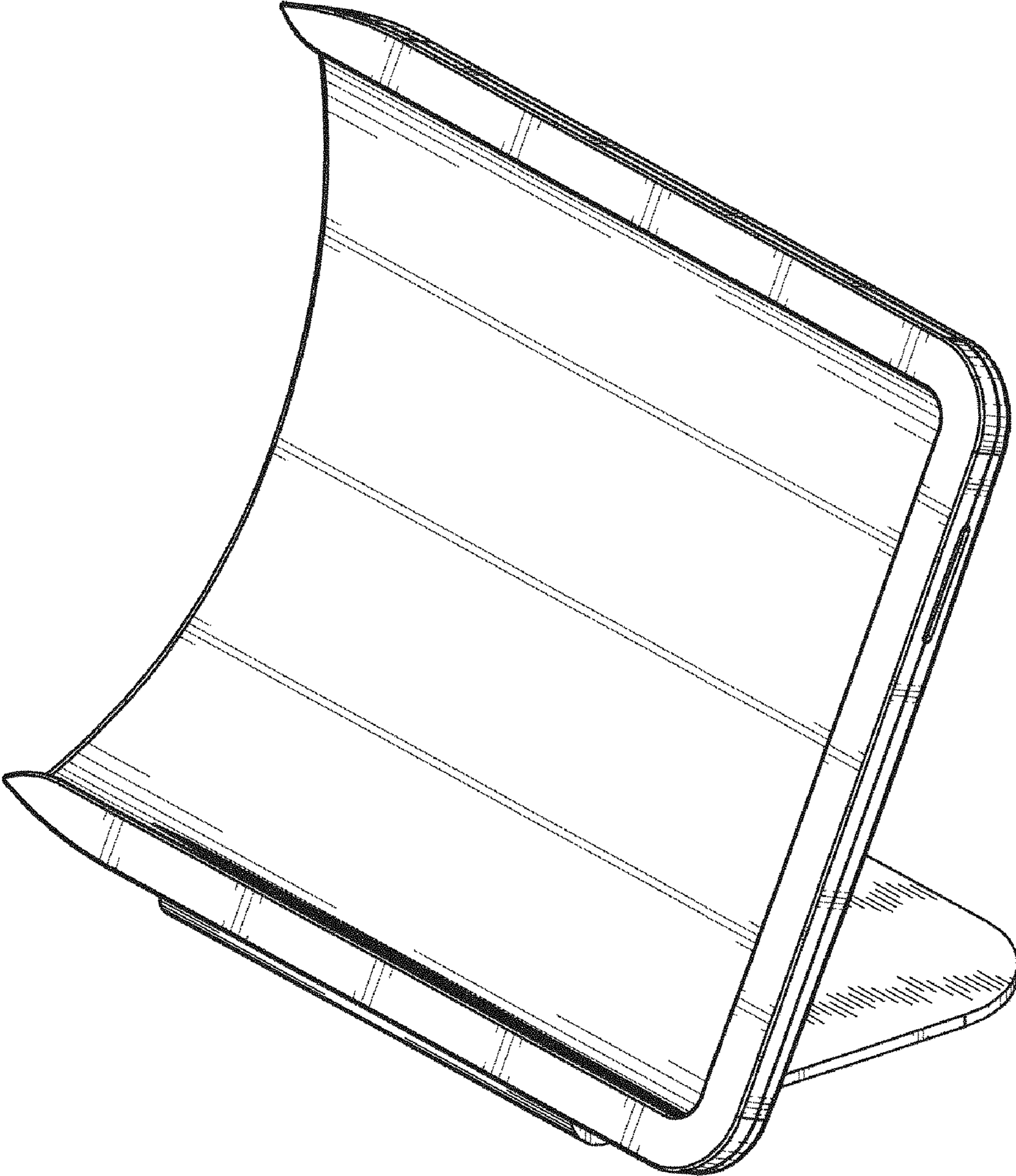


FIG. 1

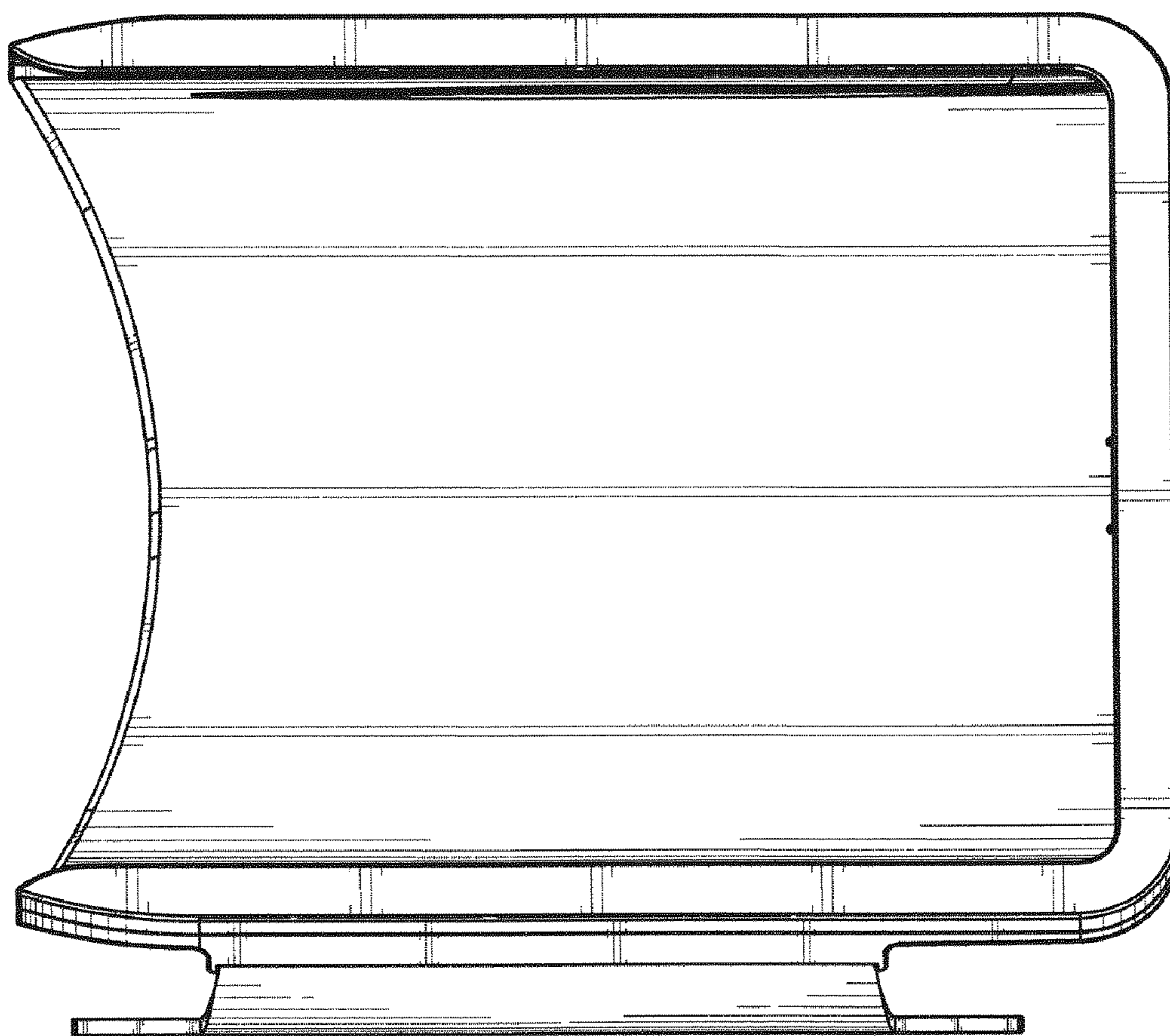


FIG. 2

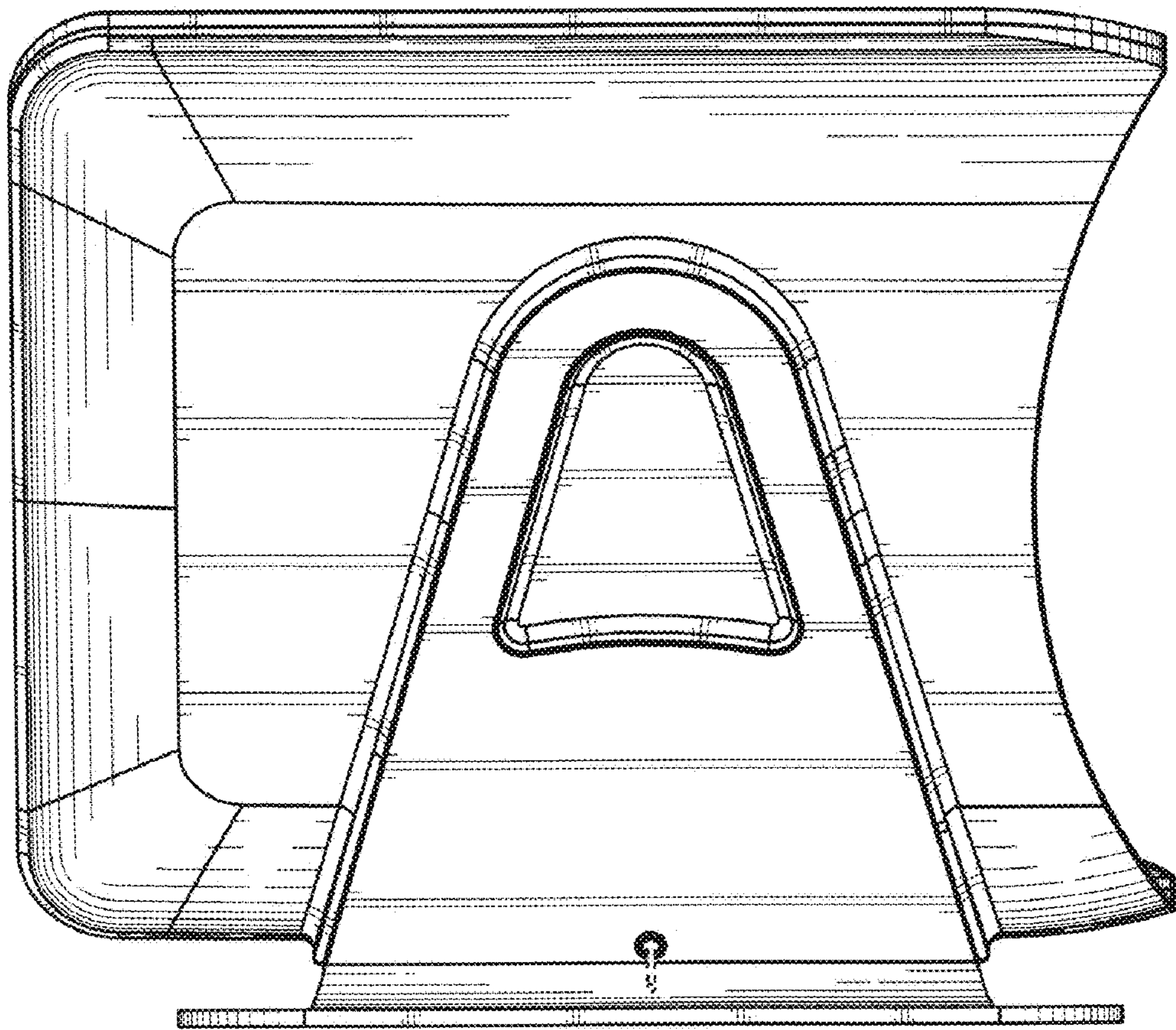


FIG. 3

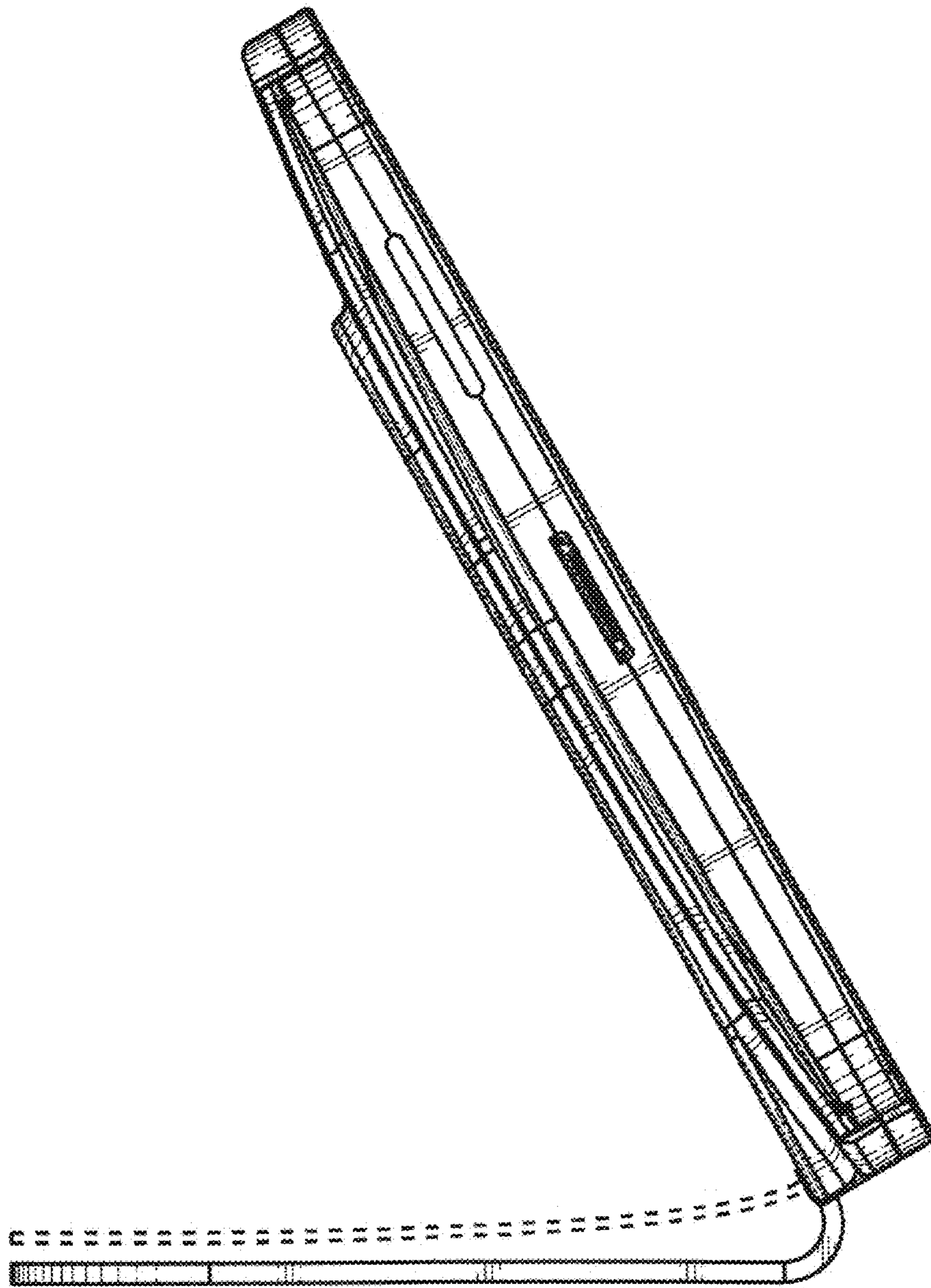


FIG. 4

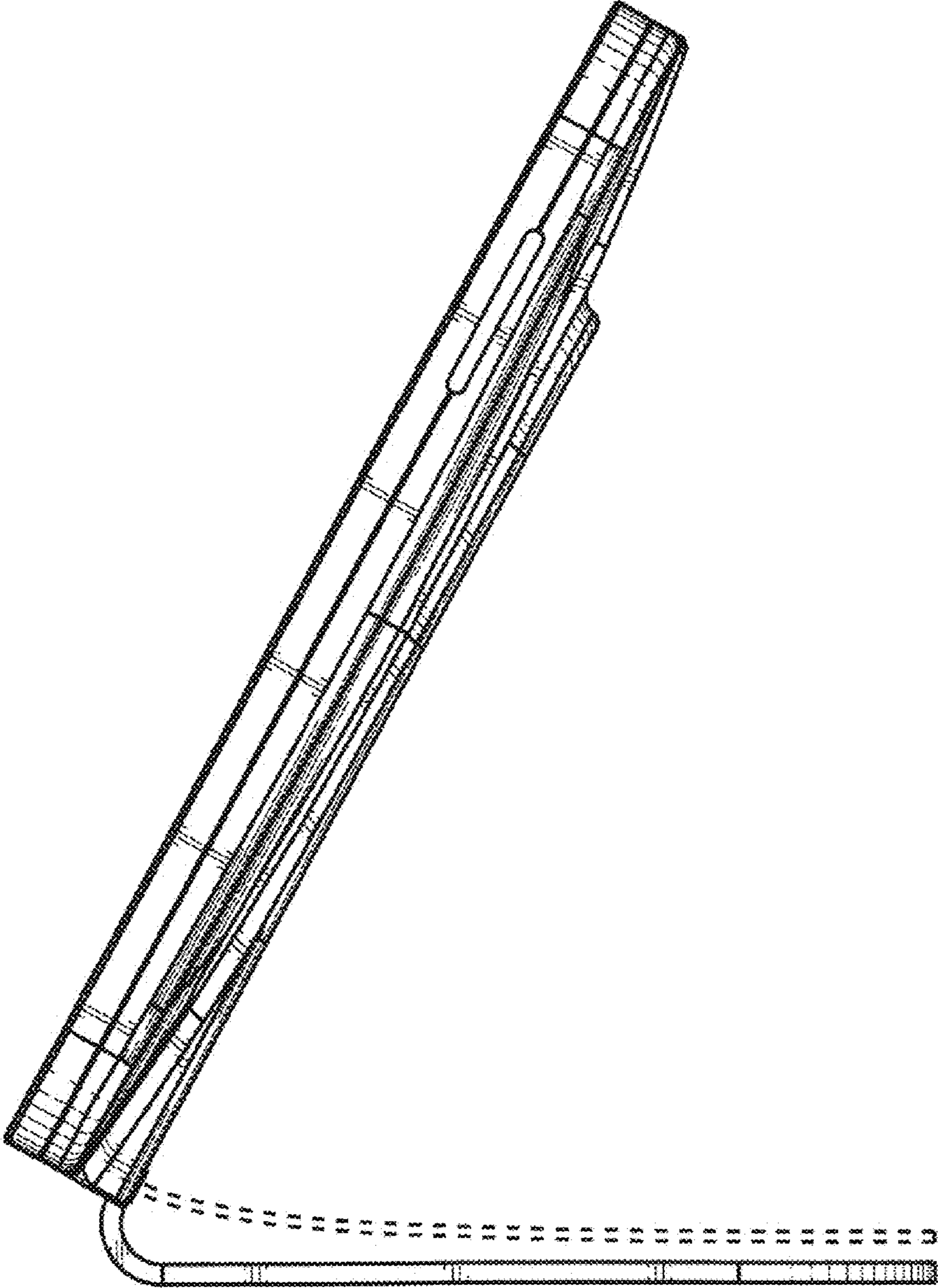


FIG. 5

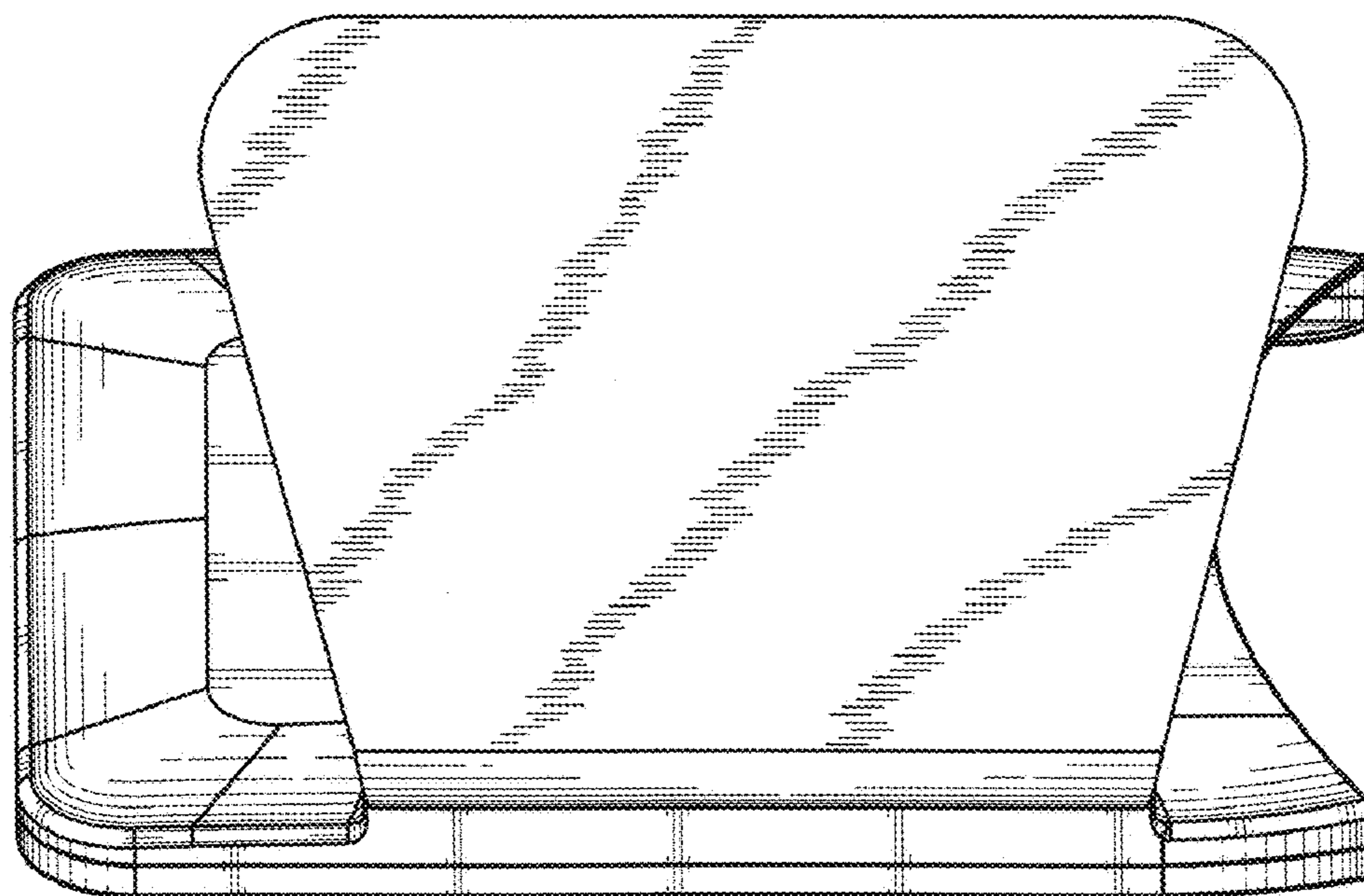


FIG. 6

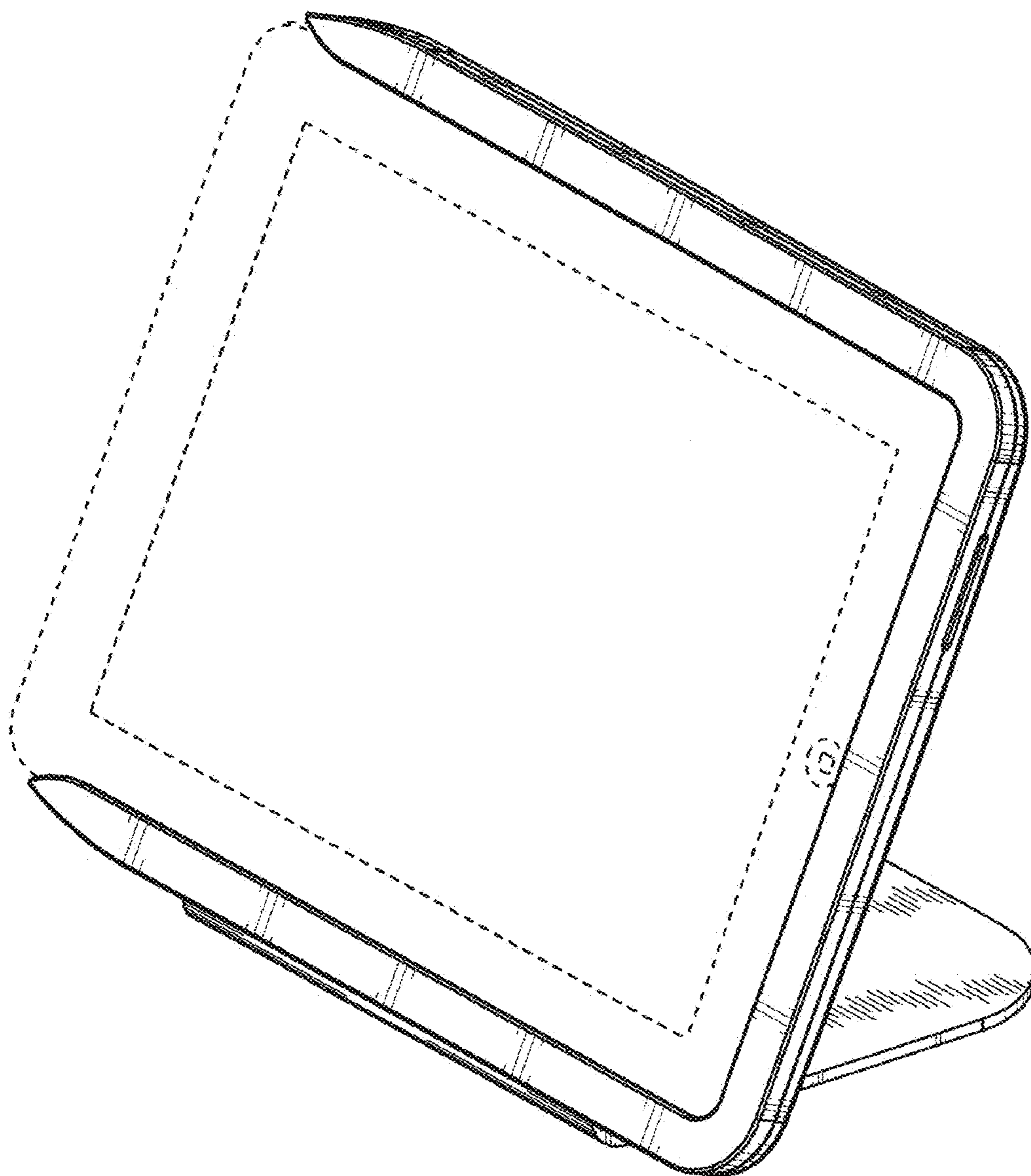


FIG. 7

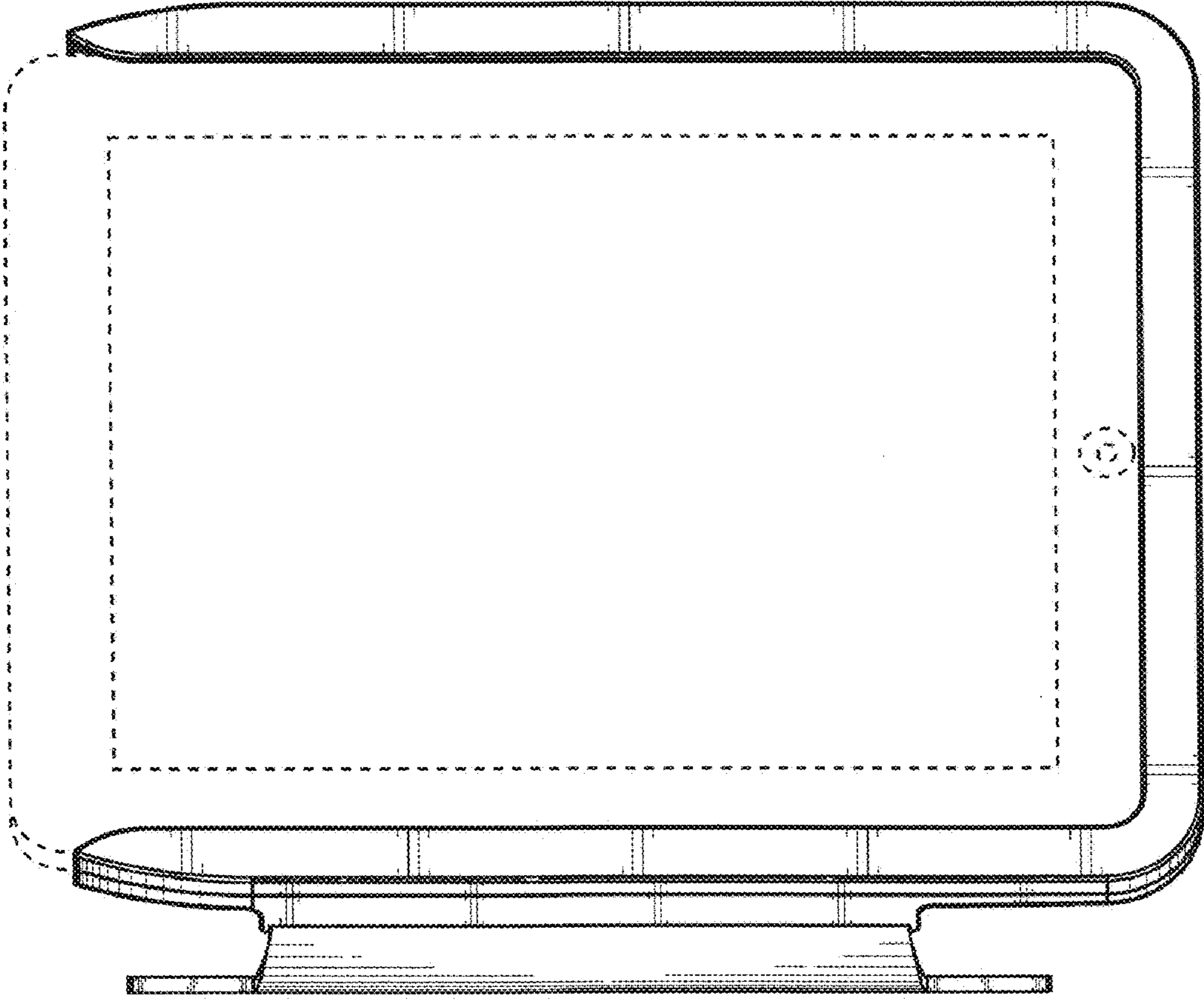


FIG. 8

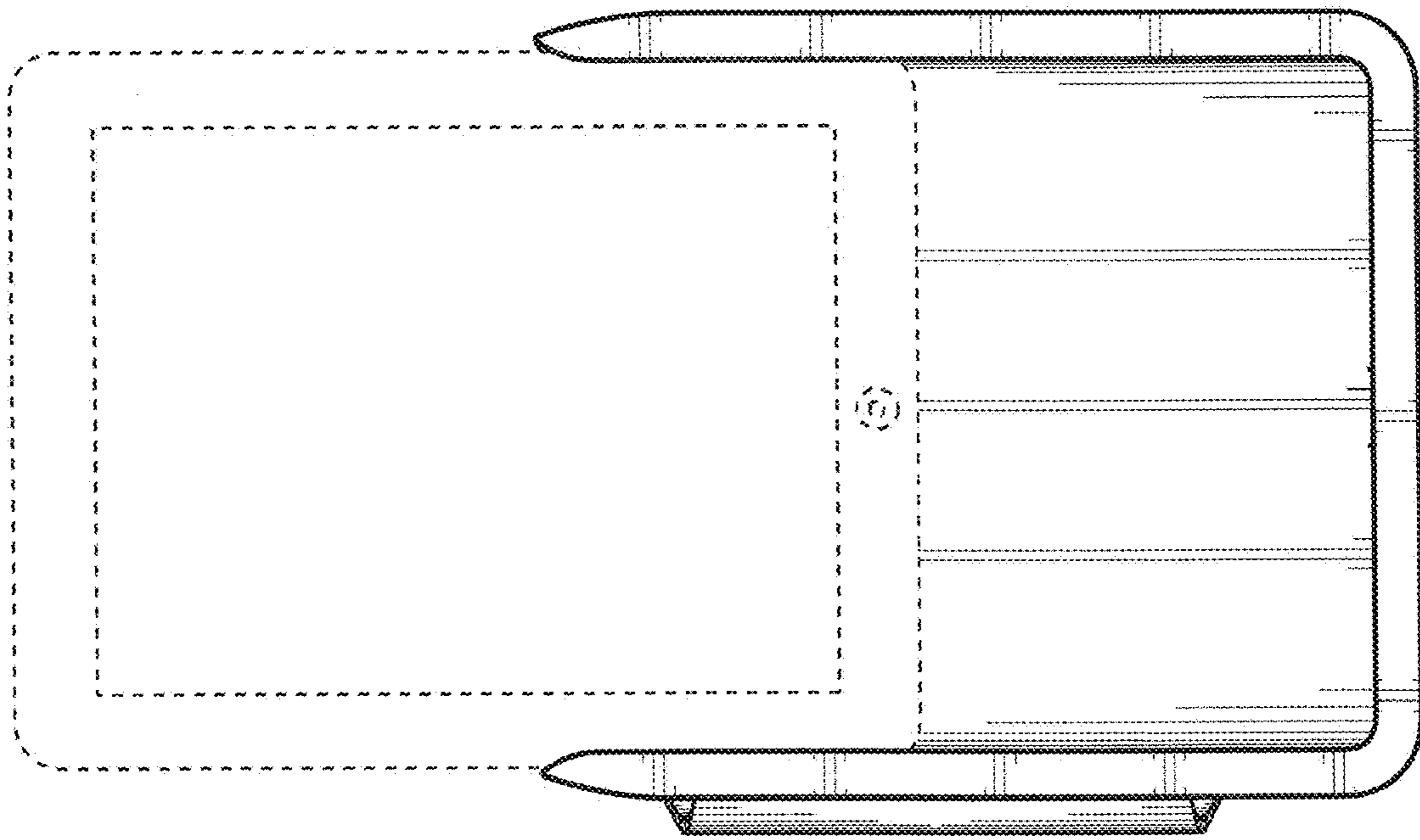


FIG. 9