



US00D650781S

(12) **United States Design Patent**
Rashid et al.

(10) **Patent No.:** **US D650,781 S**

(45) **Date of Patent:** **** *Dec. 20, 2011**

(54) **ELECTRONIC DEVICE**

(75) Inventors: **Osman Rashid**, Fremont, CA (US);
Babur Habib, San Francisco, CA (US);
David M. Straus, Los Altos, CA (US);
Philip J. Houdek, II, San Jose, CA
(US); **Dan Page Wilkins**, San Jose, CA
(US); **Stanislav Moiseyenko**, Mountain
View, CA (US); **Nathan Isaiah Jauvtis**,
San Francisco, CA (US); **Gadi Amit**,
San Mateo, CA (US); **Yoshikazu**
Hoshino, San Francisco, CA (US);
Julien Rouillac, San Francisco, CA
(US); **Barbara A. Stettler**, Oakland, CA
(US)

(73) Assignee: **KNO, Inc.**, Santa Clara, CA (US)

(*) Notice: This patent is subject to a terminal disclaimer.

(**) Term: **14 Years**

(21) Appl. No.: **29/362,894**

(22) Filed: **Jun. 1, 2010**

(51) **LOC (9) Cl.** **14-01**

(52) **U.S. Cl.** **D14/341; D14/345**

(58) **Field of Classification Search** D14/341-347,
D14/137, 138, 138.1, 138 AA, 138 R, 138 AB,
D14/138 AC, 138 AD, 138 C, 138 G, 496,
D14/203.1, 203.3, 203.4, 203.5, 203.6, 203.7,
D14/426, 427, 428, 432, 429, 129, 130, 420,
D14/439-441, 448, 125, 147, 156, 218, 247-248,
D14/250, 389, 336; D10/65, 104; D18/6-7;
D21/29, 686, 33, 324, 329, 330; D19/60;
345/169, 901, 905; 379/433.04, 433.07,
379/433.11, 433.12, 433.13, 910, 916, 433.01,
379/433.06

See application file for complete search history.

(56) **References Cited**

U.S. PATENT DOCUMENTS

D445,787	S	*	7/2001	Francis	D14/345
D517,545	S	*	3/2006	Buckel et al.	D14/345
7,460,893	B2	*	12/2008	Aarras	455/575.3
D587,704	S	*	3/2009	McCoy	D14/345
7,705,799	B2	*	4/2010	Niwa	345/1.1
D618,683	S	*	6/2010	Wilson et al.	D14/371

(Continued)

OTHER PUBLICATIONS

MSI dual-display Windows 7-based netbook prototype. Posted Jan. 9, 2010. <http://www.pcworld.com>.

Instructables.com. "A Traditional Jacob's Ladder". Downloaded Nov. 1, 2010. www.instructables.com/id/A-Traditional-Jacob-s-Ladder.

Libretto w100, Google Search Results, downloaded Nov. 1, 2010.

Entourage Edge, Google Search Results, downloaded Nov. 1, 2010.

Microsoft Courier Tablet, Google Search Results, downloaded Nov. 1, 2010.

Primary Examiner — Barbara Fox

(74) *Attorney, Agent, or Firm* — Cooley LLP

(57) **CLAIM**

The ornamental design for an electronic device, as shown and described.

DESCRIPTION

FIG. 1 is a perspective view of the electronic device in an 180 degree open configuration, in accordance with an embodiment of the invention;

FIG. 2 is a perspective view thereof in a closed configuration; FIG. 3 is a perspective view thereof in a 360 degree open configuration;

FIG. 4 is a top plan view thereof;

FIG. 5 is a rear elevation view thereof;

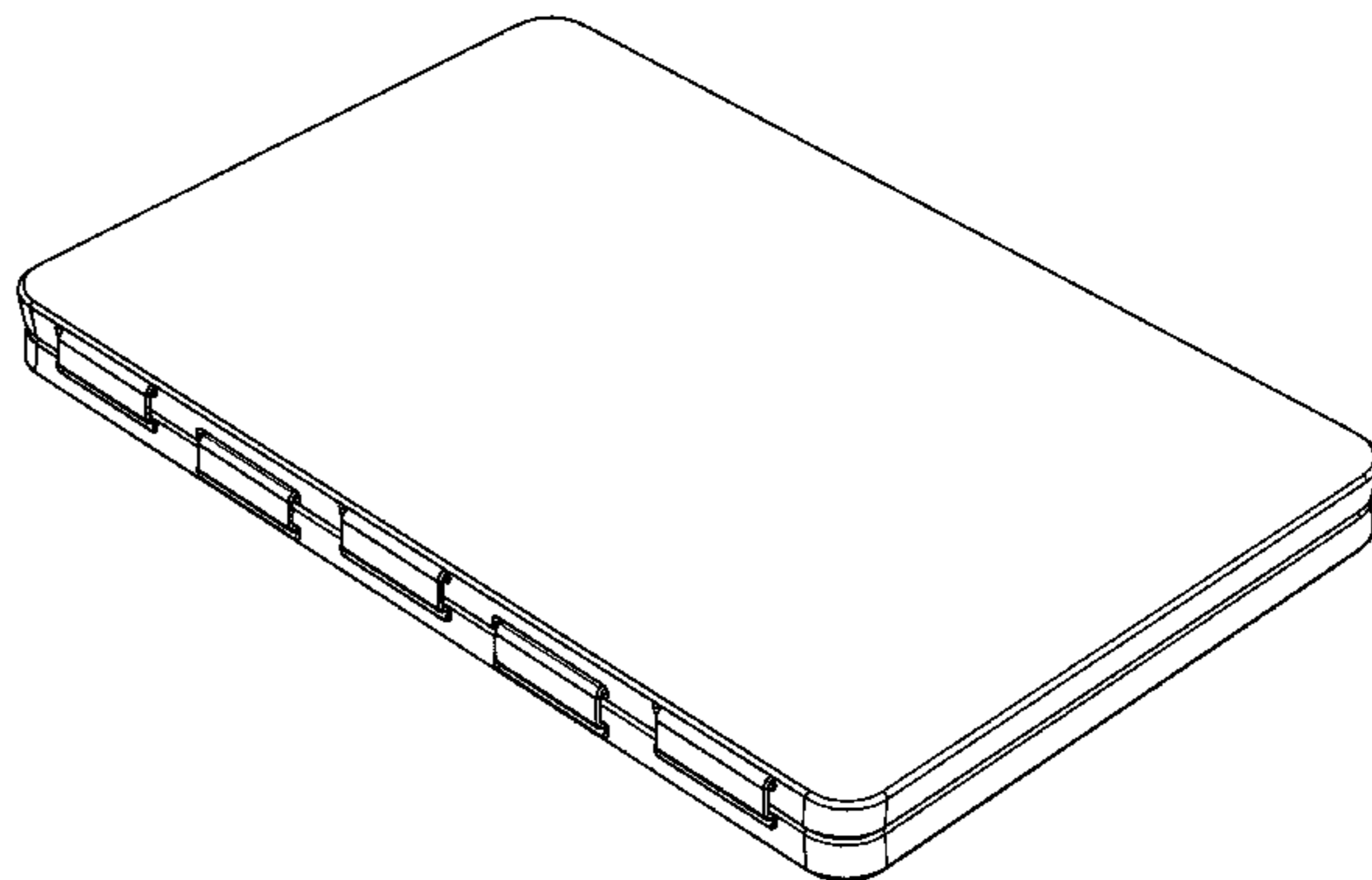
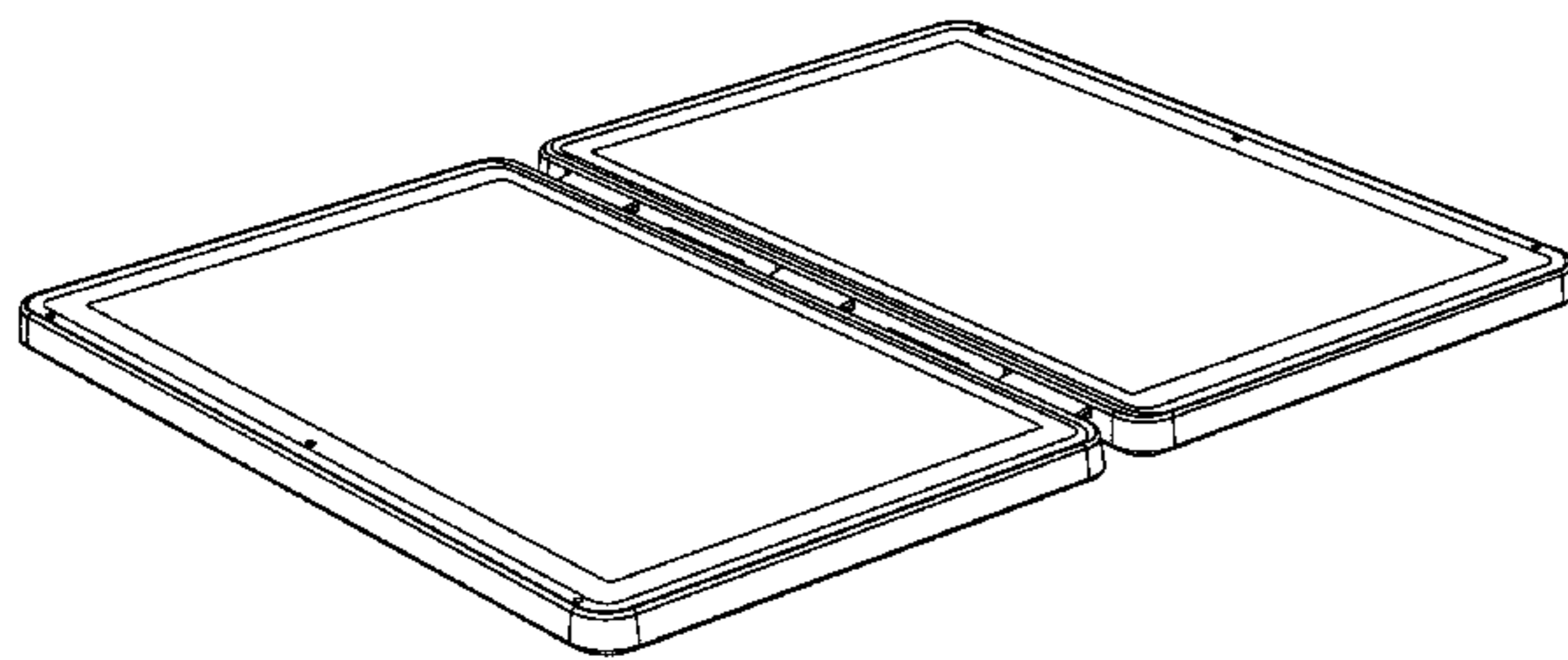
FIG. 6 is a right side view thereof;

FIG. 7 is a front elevation view thereof;

FIG. 8 is a bottom plan view thereof; and,

FIG. 9 is a left side view thereof.

1 Claim, 9 Drawing Sheets



US D650,781 S

Page 2

U.S. PATENT DOCUMENTS

7,755,882 B2 *	7/2010	Guo	361/679.09	2009/0219254 A1 *	9/2009	Lai et al.	345/173
D626,124 S *	10/2010	Chyan et al.	D14/341	2010/0149104 A1 *	6/2010	Sim et al.	345/169
2003/0179541 A1	9/2003	Sullivan		2010/0157518 A1	6/2010	Ladouceur et al.	
2006/0214919 A1	9/2006	Moore et al.		2010/0177047 A1	7/2010	Brenneman et al.	

* cited by examiner

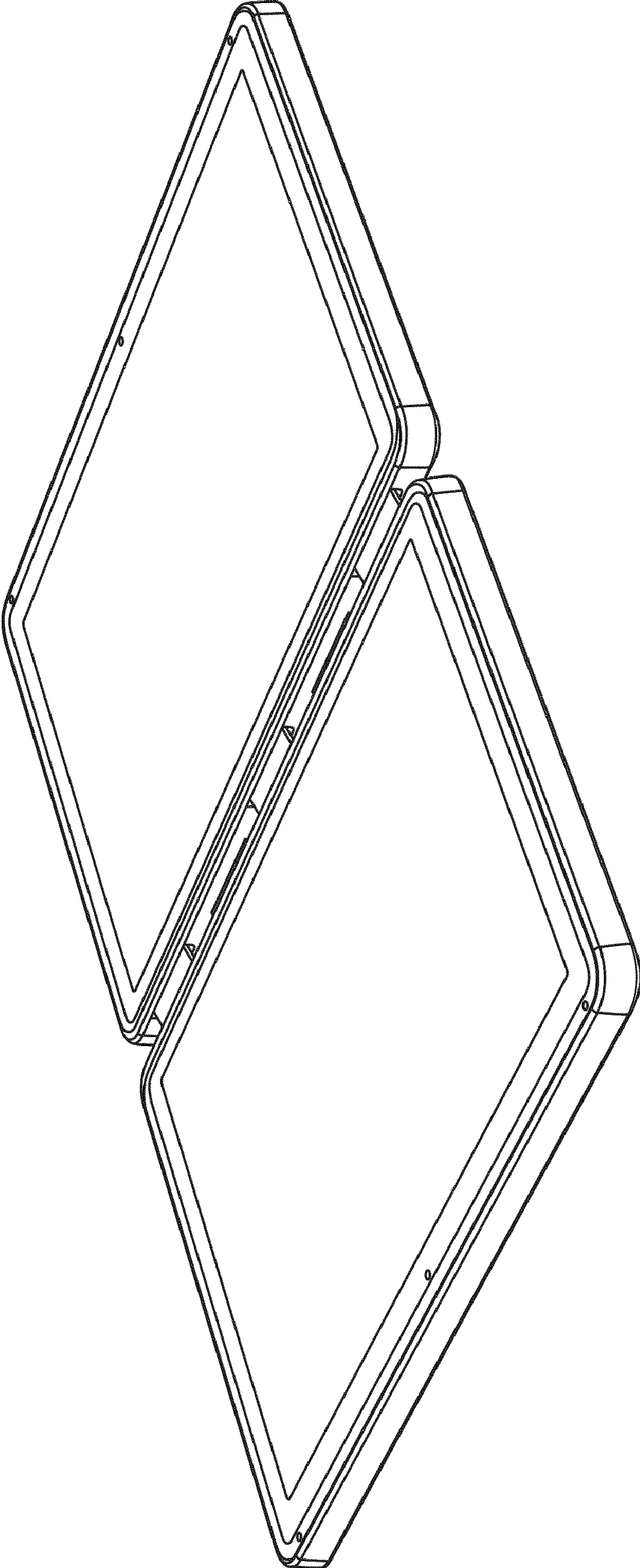


FIG. 1

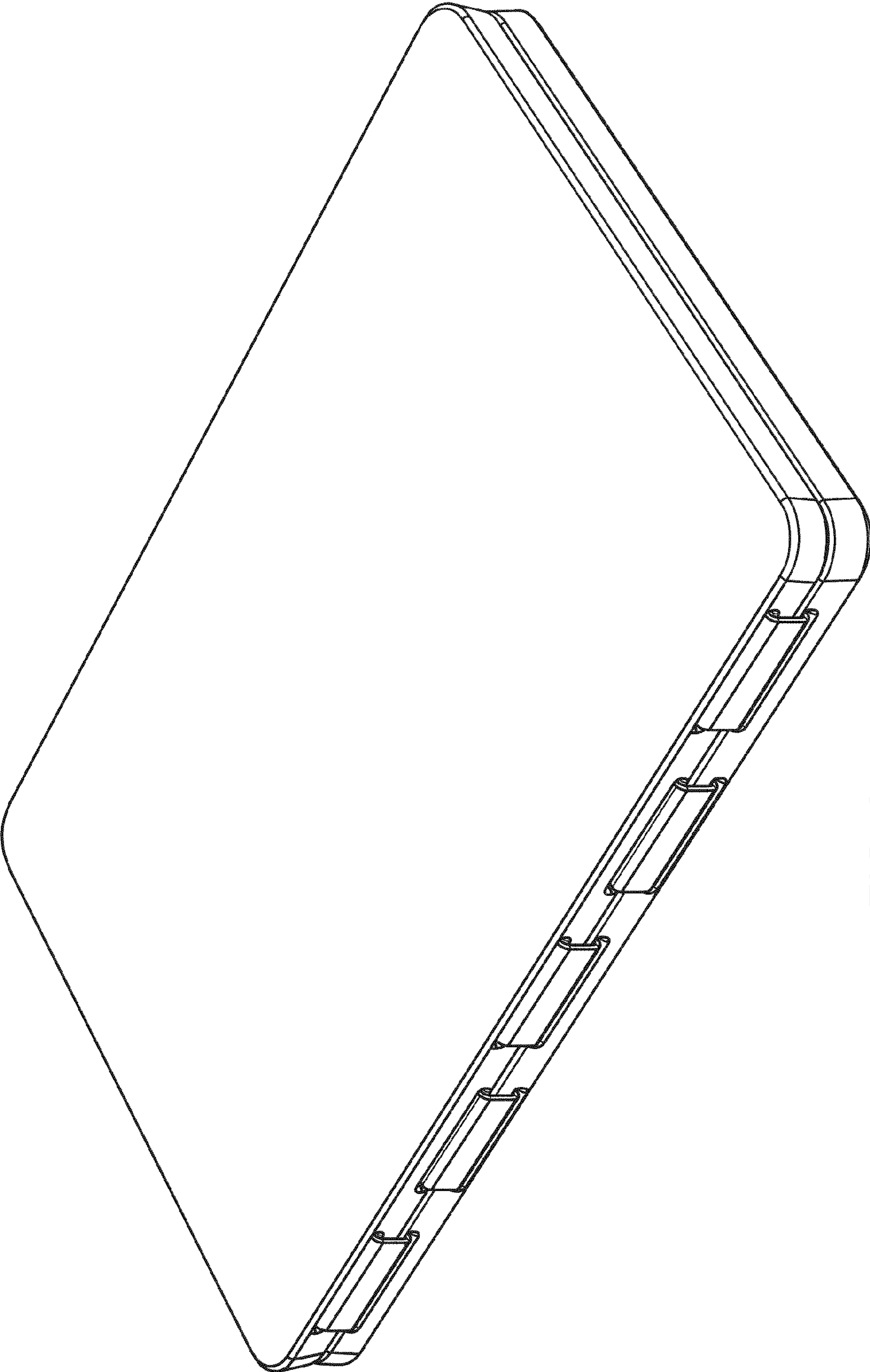


FIG. 2

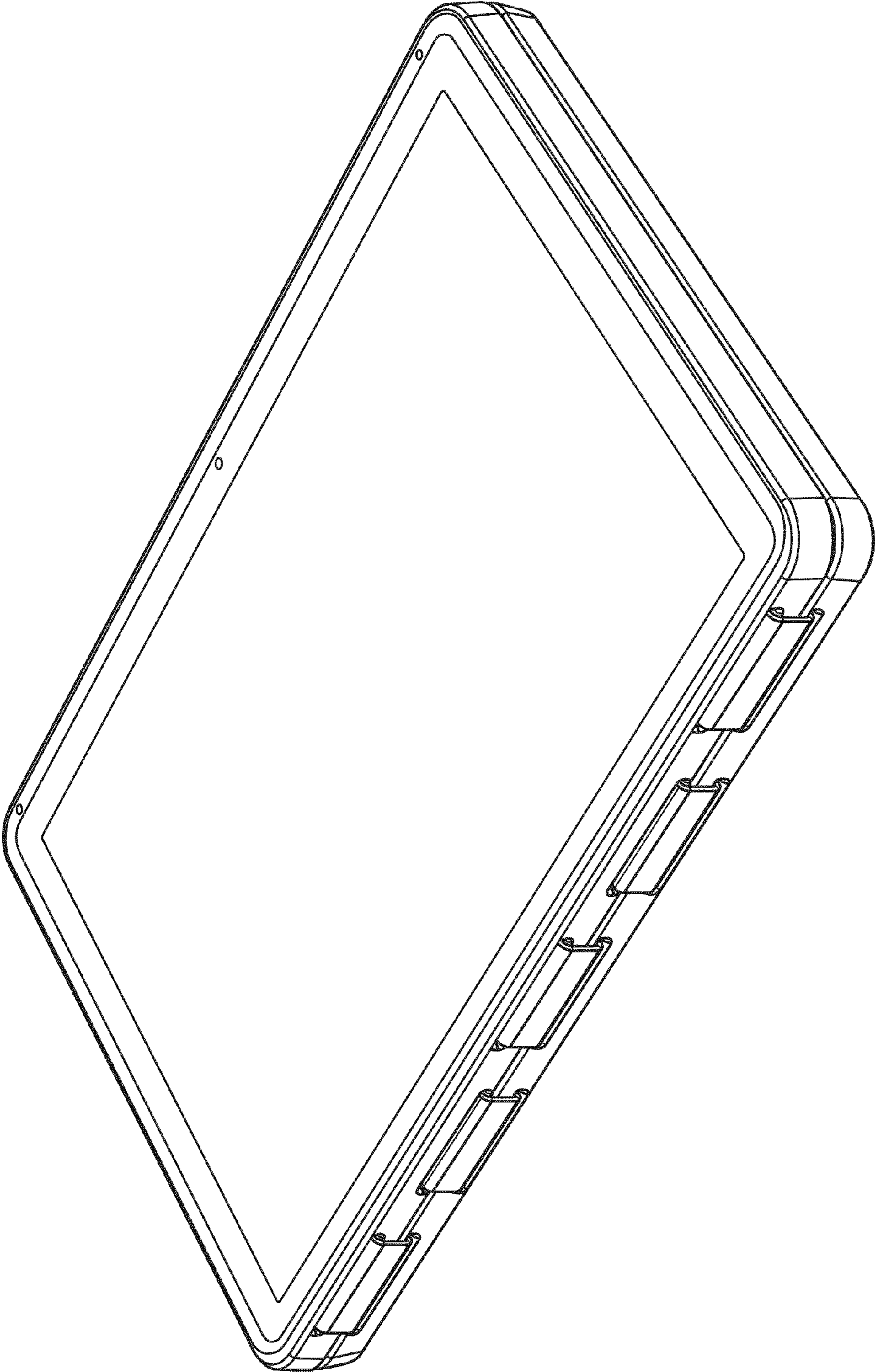


FIG. 3

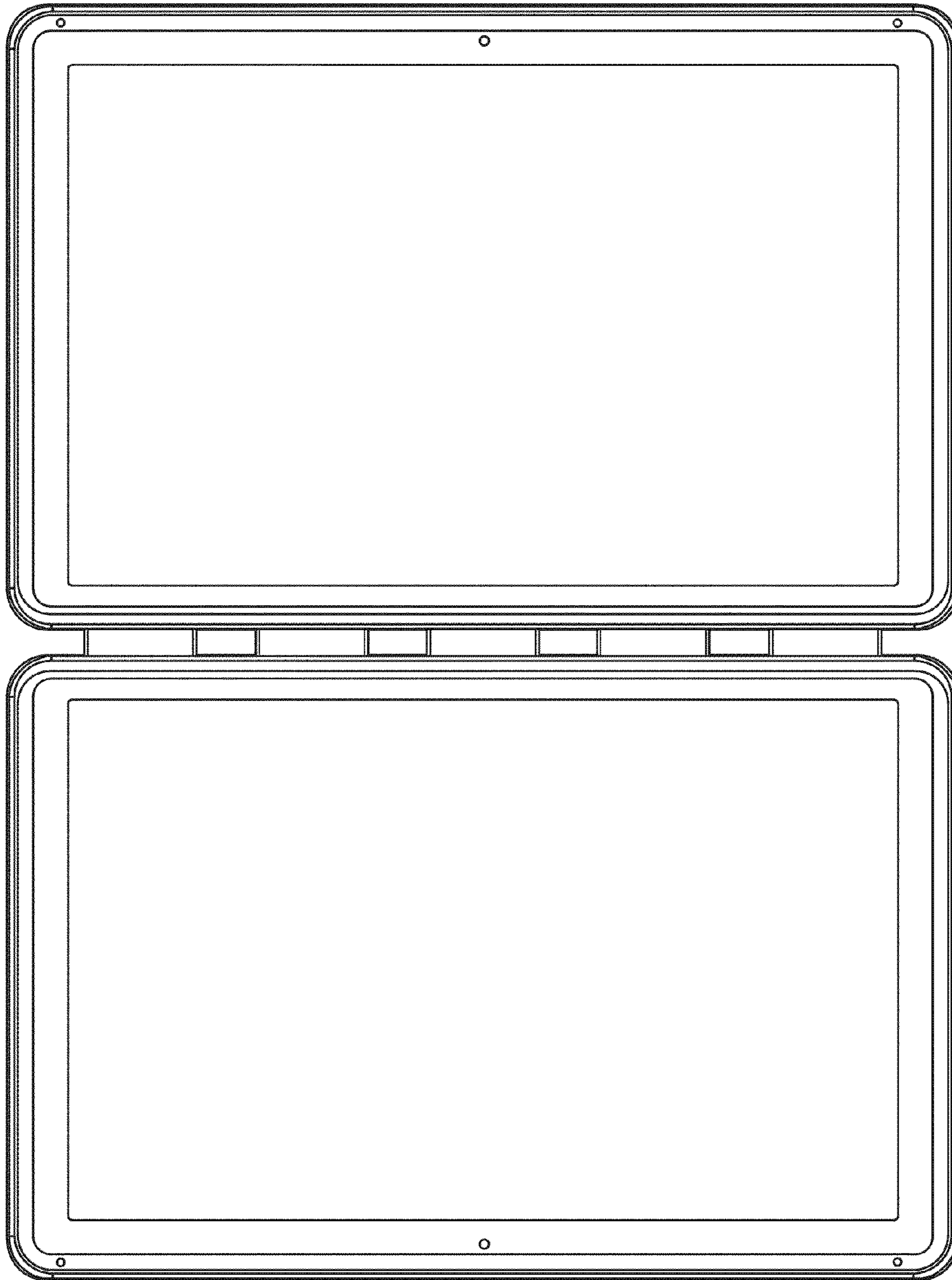


FIG. 4



FIG. 5



FIG. 6



FIG. 7

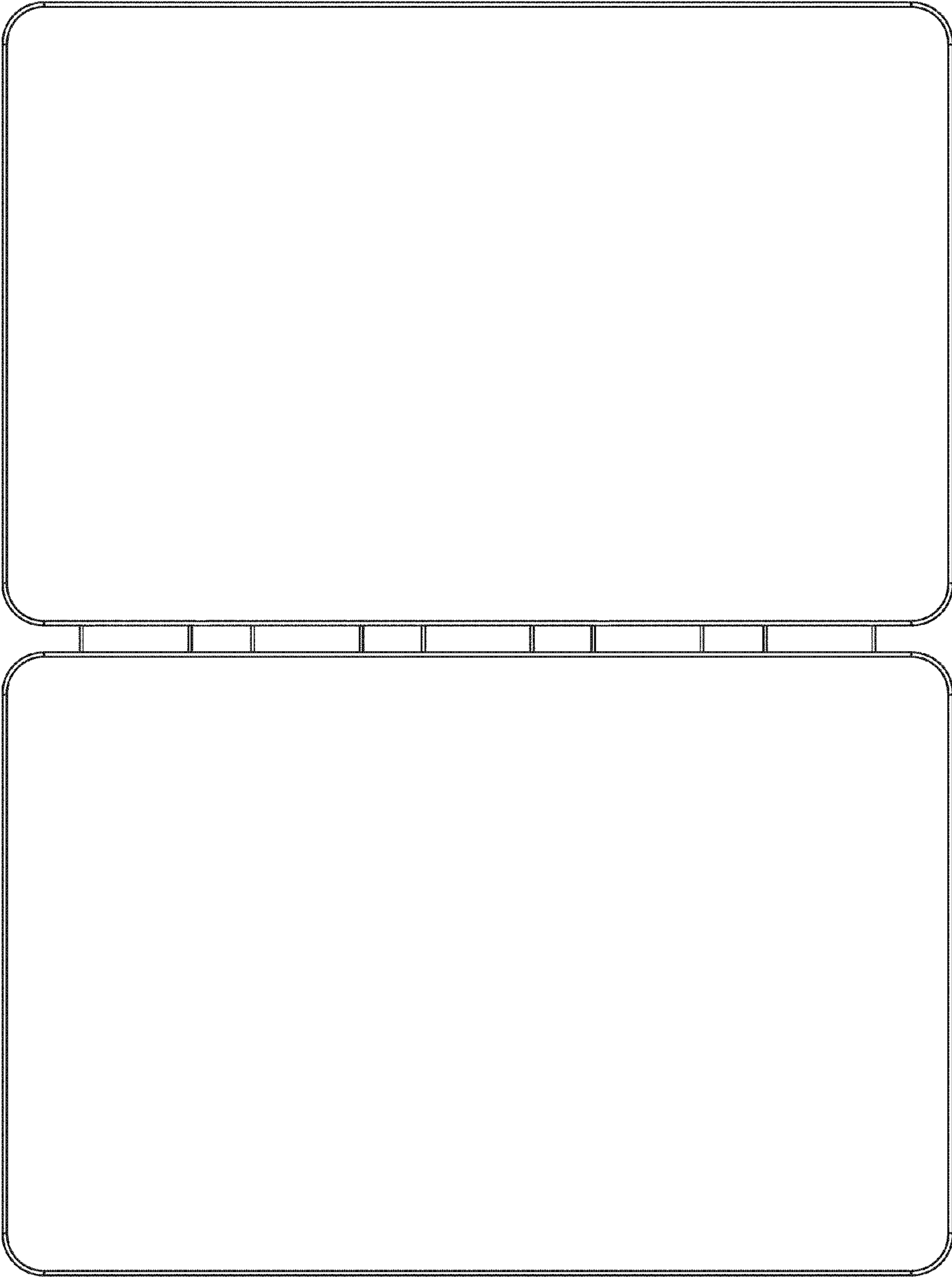


FIG. 8



FIG. 9