



US00D650780S

(12) **United States Design Patent**  
**Rashid et al.**

(10) **Patent No.:** **US D650,780 S**  
(45) **Date of Patent:** **\*\* \*Dec. 20, 2011**

(54) **ELECTRONIC DEVICE**

(75) Inventors: **Osman Rashid**, Fremont, CA (US);  
**Babur Habib**, San Francisco, CA (US);  
**David M. Straus**, Los Altos, CA (US);  
**Philip J. Houdek, II**, San Jose, CA  
(US); **Dan Page Wilkins**, San Jose, CA  
(US); **Stanislav Moiseyenko**, Mountain  
View, CA (US); **Nathan Isaiah Jauvtis**,  
San Francisco, CA (US); **Gadi Amit**,  
San Mateo, CA (US); **Yoshikazu**  
**Hoshino**, San Francisco, CA (US);  
**Julien Rouillac**, San Francisco, CA  
(US); **Barbara A. Stettler**, Oakland, CA  
(US)

(73) Assignee: **KNO, Inc.**, Santa Clara, CA (US)

(\*) Notice: This patent is subject to a terminal dis-  
claimer.

(\*\*) Term: **14 Years**

(21) Appl. No.: **29/362,890**

(22) Filed: **Jun. 1, 2010**

(51) **LOC (9) Cl.** ..... **14-02**

(52) **U.S. Cl.** ..... **D14/341**

(58) **Field of Classification Search** ..... D14/341-347,  
D14/137, 138, 138.1, 138 AA, 138 R, 138 AB,  
D14/138 AC, 138 AD, 138 C, 138 G, 496,  
D14/203.1, 203.3, 203.4, 203.5, 203.6, 203.7,  
D14/426, 427, 428, 432, 429, 129, 130, 420,  
D14/439-441, 448, 125, 147, 156, 218, 247-248,  
D14/250, 389, 336; D10/65, 104; D18/6-7;  
D21/29, 686, 33, 324, 329, 330; D19/60;  
345/169, 901, 905; 379/433.04, 433.07,  
379/433.11, 433.12, 433.13, 910, 916, 433.01,  
379/433.06

See application file for complete search history.

(56) **References Cited**

U.S. PATENT DOCUMENTS

D445,787	S	*	7/2001	Francis	.....	D14/345
D517,545	S	*	3/2006	Buckel et al.	.....	D14/345
7,460,893	B2	*	12/2008	Aarras	.....	455/575.3
D587,704	S	*	3/2009	McCoy	.....	D14/345
7,705,799	B2	*	4/2010	Niwa	.....	345/1.1
D618,683	S	*	6/2010	Wilson et al.	.....	D14/371
7,755,882	B2	*	7/2010	Guo	.....	361/679.09
D626,124	S	*	10/2010	Chyan et al.	.....	D14/341
2003/0179541	A1		9/2003	Sullivan		
2006/0214919	A1		9/2006	Moore et al.		
2009/0219254	A1*		9/2009	Lai et al.	.....	345/173
2010/0149104	A1*		6/2010	Sim et al.	.....	345/169
2010/0157518	A1		6/2010	Ladouceur et al.		
2010/0177047	A1		7/2010	Brenneman et al.		

OTHER PUBLICATIONS

MSI dual-display Windows 7-based netbook prototype. Posted Jan. 9, 2010. <http://www.pcworld.com>.

(Continued)

*Primary Examiner* — Barbara Fox

(74) *Attorney, Agent, or Firm* — Cooley LLP

(57) **CLAIM**

The ornamental electronic device, as shown and described.

**DESCRIPTION**

FIG. 1 is a perspective view of the electronic device in an 180 degree open configuration, in accordance with an embodiment of the invention;

FIG. 2 is a perspective view thereof in a closed configuration; FIG. 3 is a perspective view thereof in a 360 degree open configuration;

FIG. 4 is a top plan view thereof;

FIG. 5 is a rear elevation view thereof;

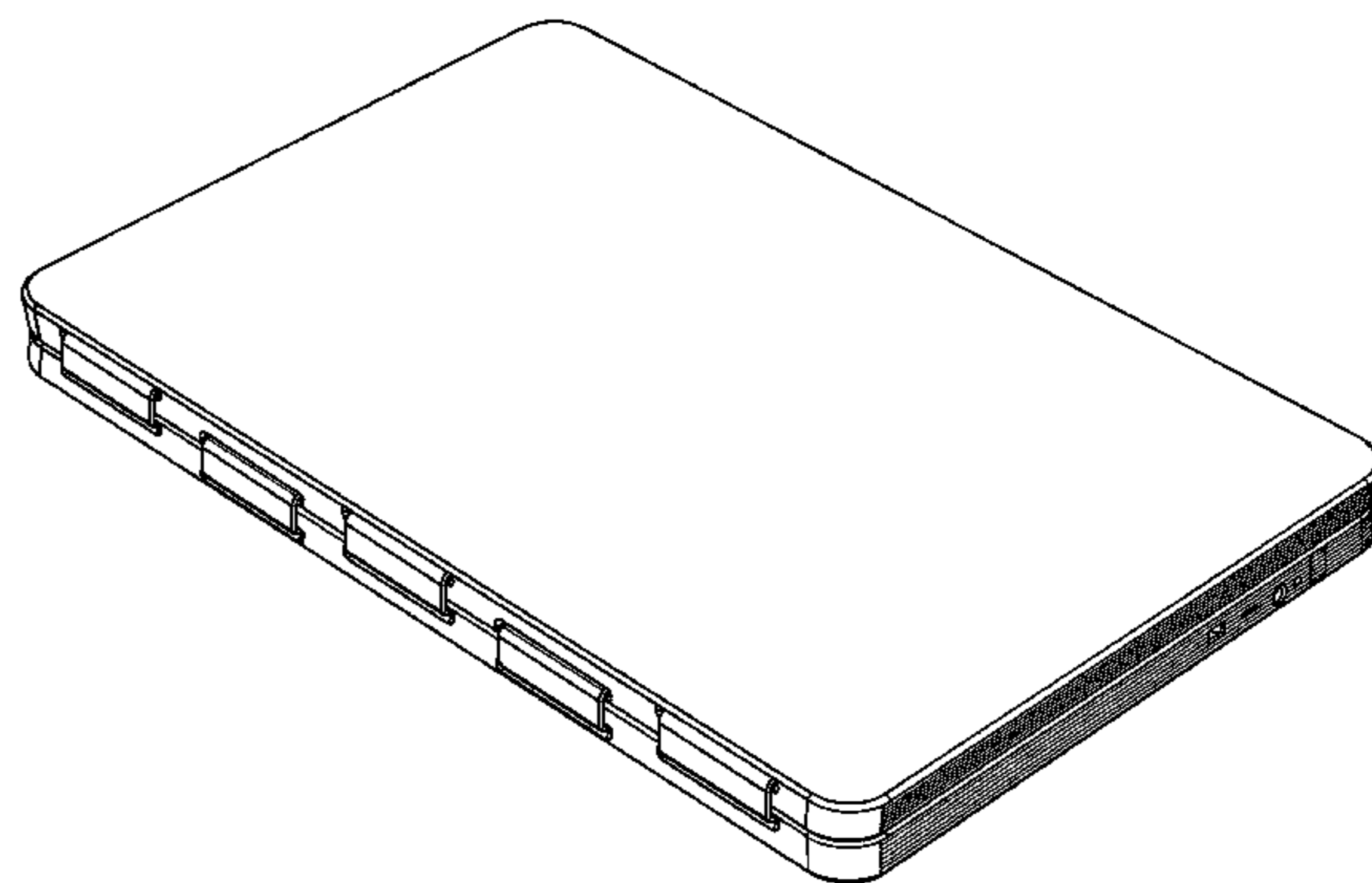
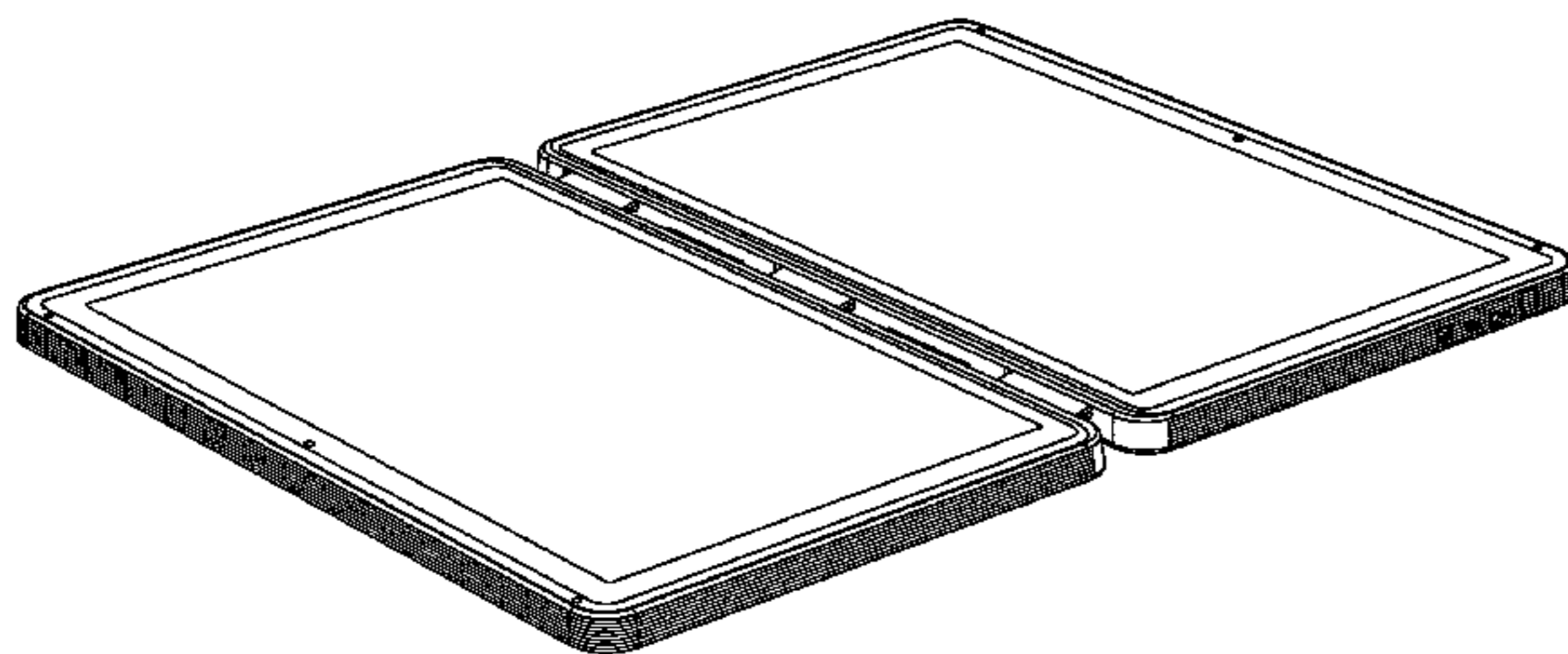
FIG. 6 is a right side view thereof;

FIG. 7 is a front elevation view thereof;

FIG. 8 is a bottom plan view thereof; and,

FIG. 9 is a left side view thereof.

**1 Claim, 9 Drawing Sheets**



OTHER PUBLICATIONS

Instructables.com. "A Traditional Jacob's Ladder". Downloaded Nov. 1, 2010. [www.instructables.com/id/A-Traditional-Jacob-s-Ladder](http://www.instructables.com/id/A-Traditional-Jacob-s-Ladder).

Libretto w100, Google Search Results, downloaded Nov. 1, 2010.

Entourage Edge, Google Search Results, downloaded Nov. 1, 2010.

\* cited by examiner

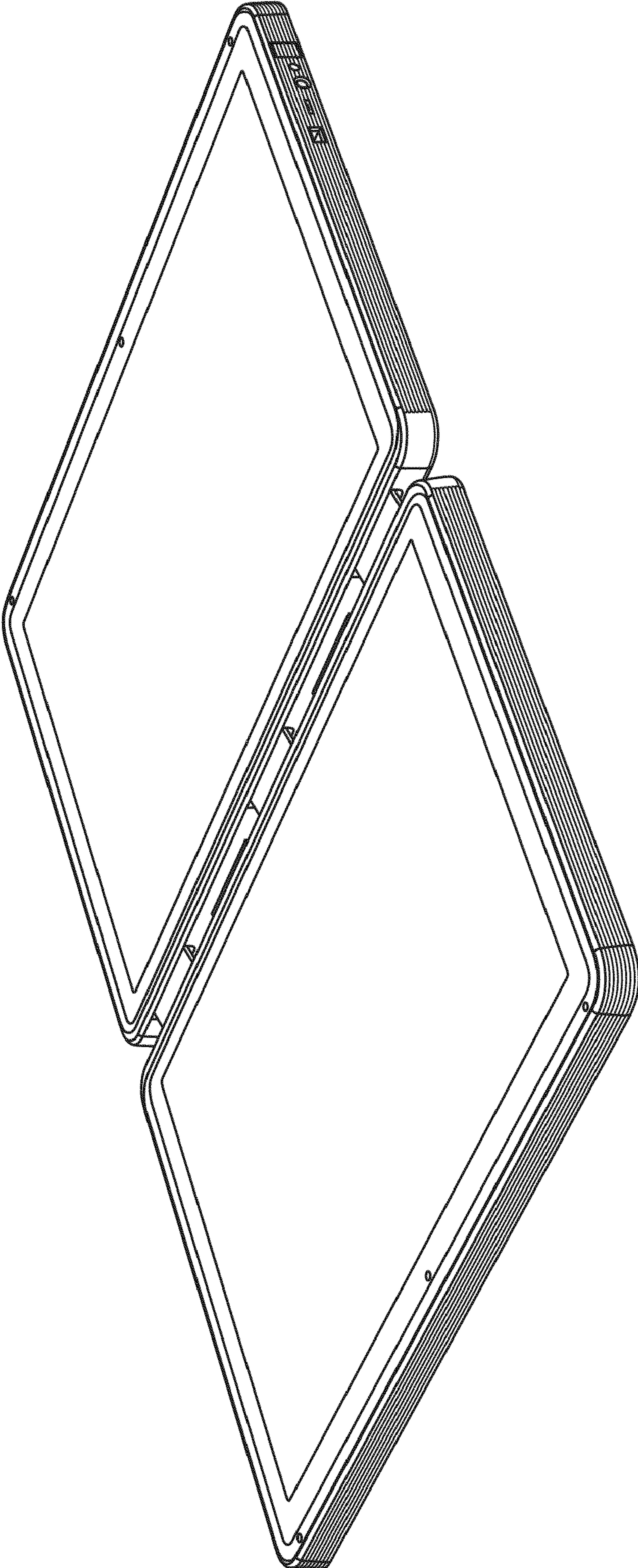


FIG. 1



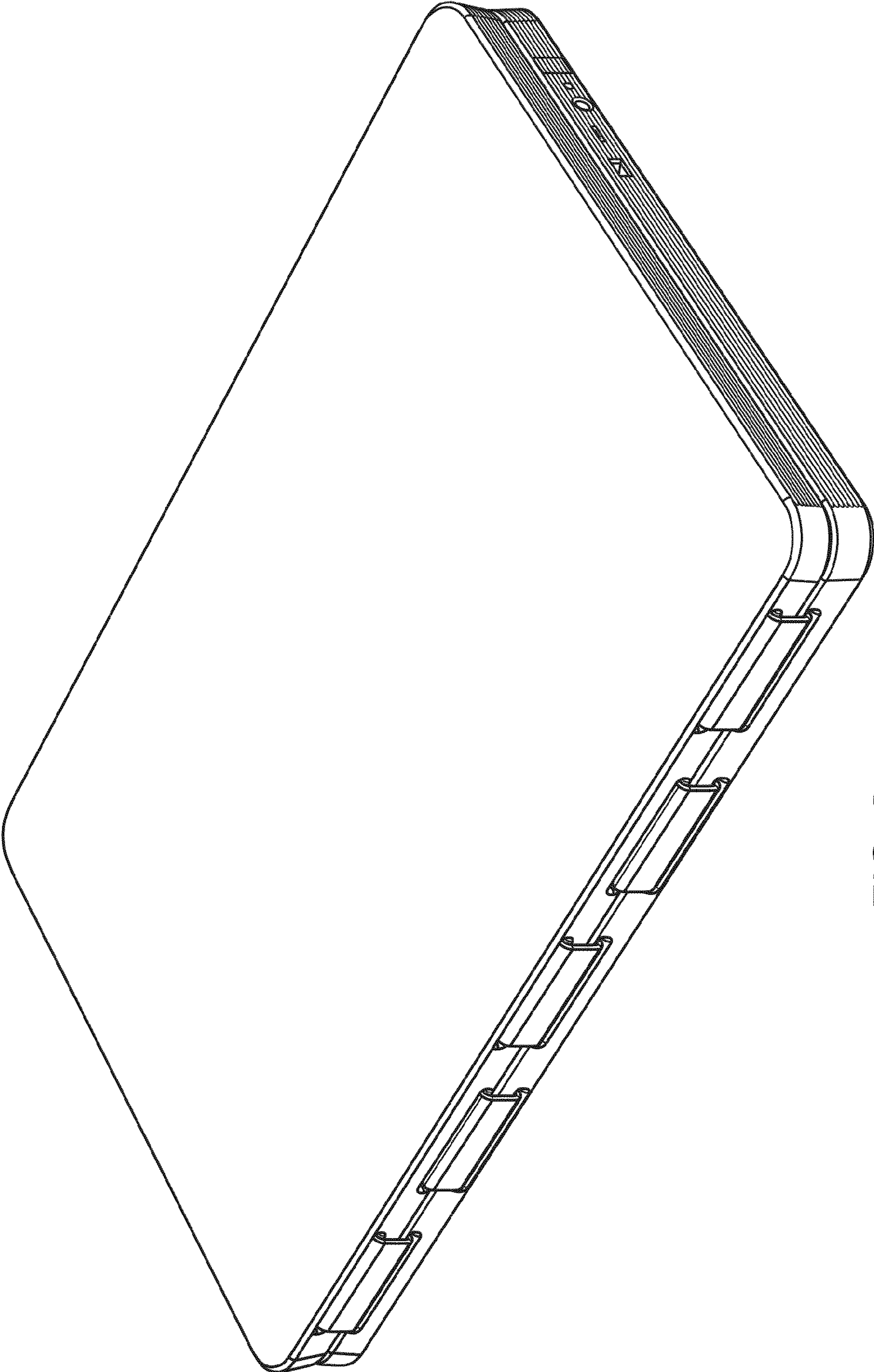


FIG. 2

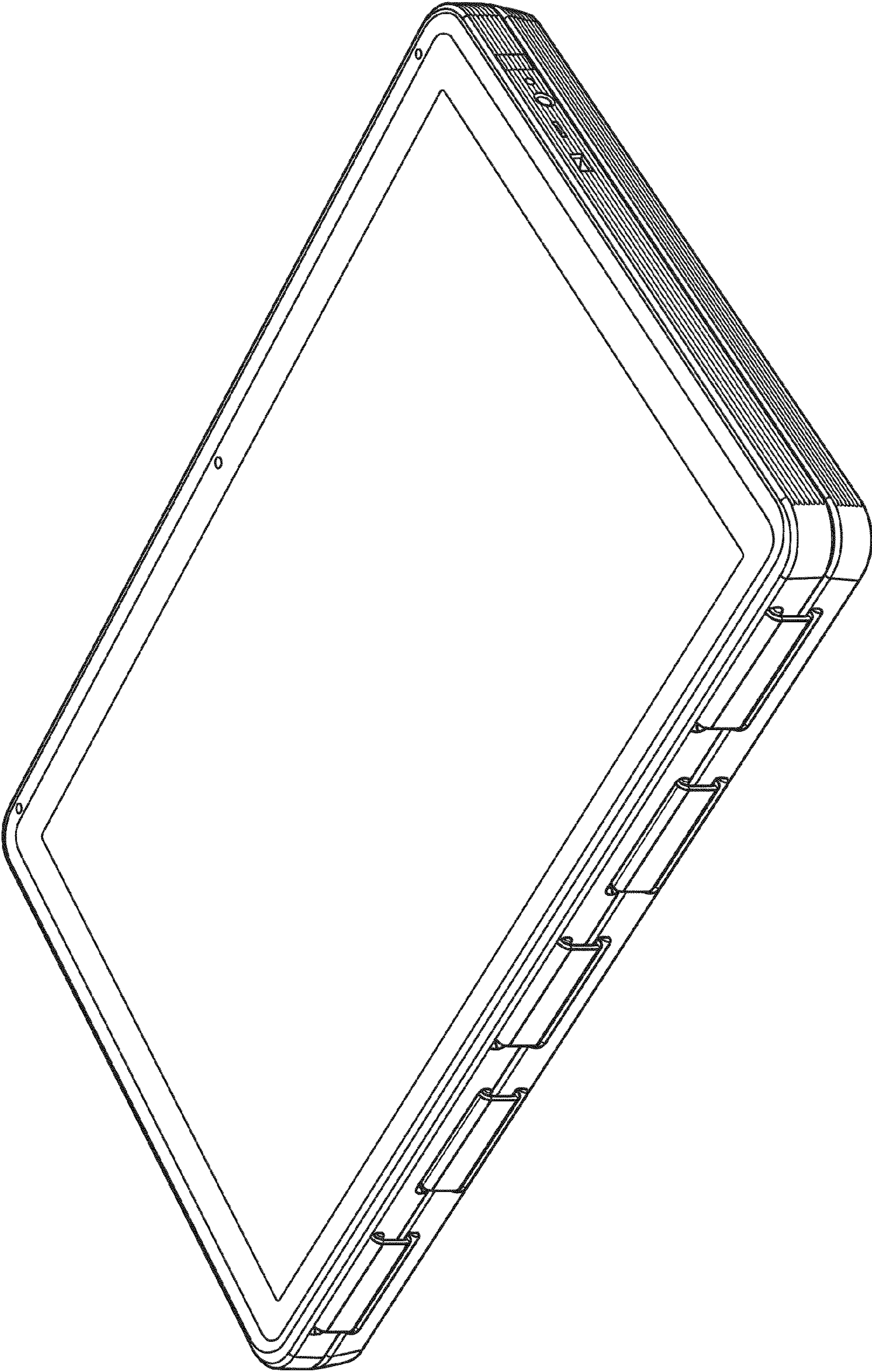


FIG. 3

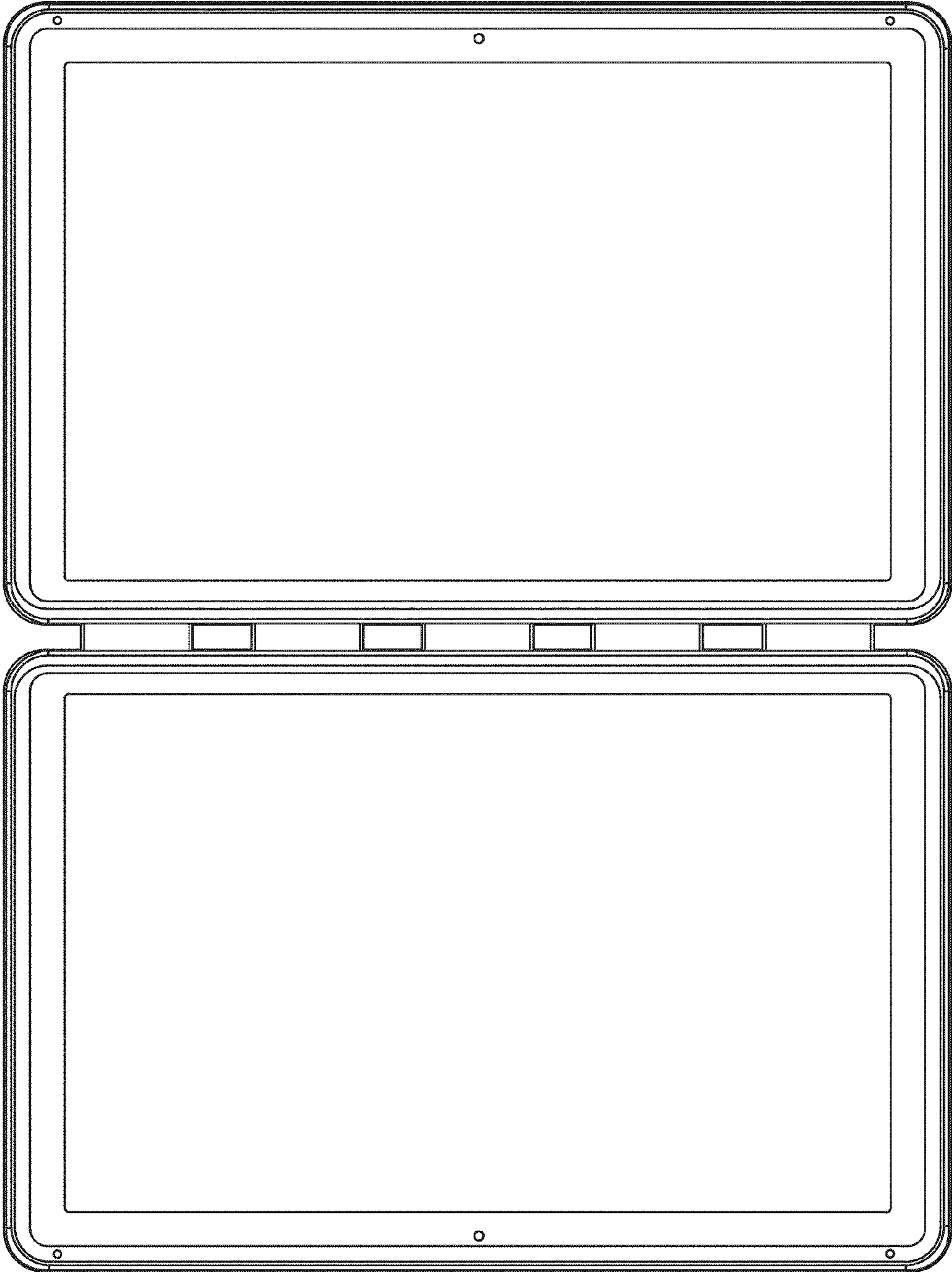


FIG. 4



FIG. 5





FIG. 6



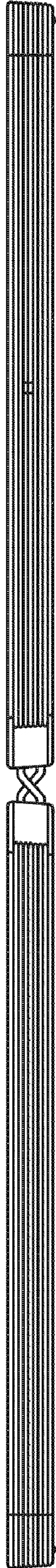


FIG. 7

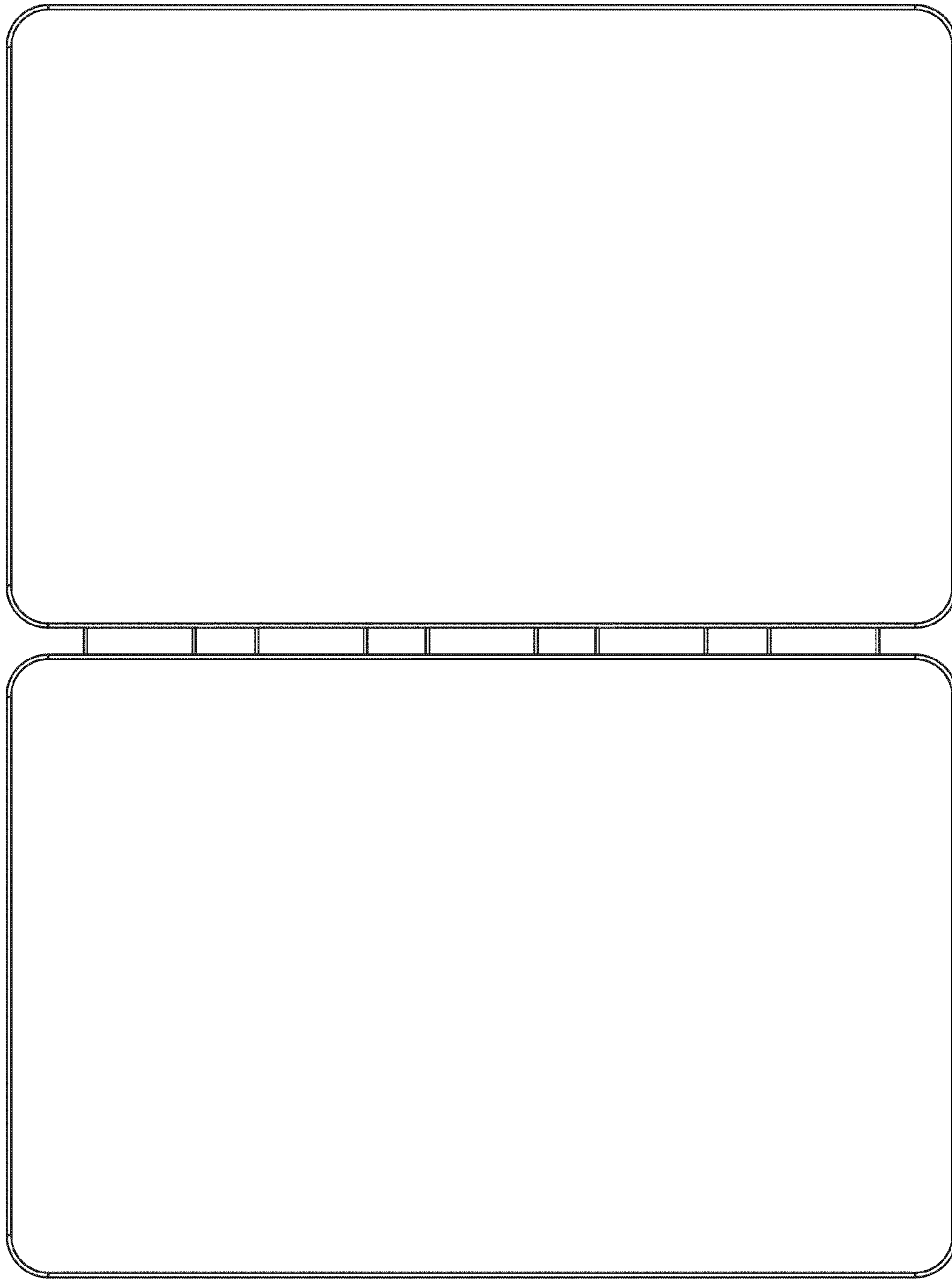


FIG. 8



FIG. 9