



US00D650779S

(12) **United States Design Patent**  
**Lee**

(10) **Patent No.:** **US D650,779 S**  
(45) **Date of Patent:** **\*\* Dec. 20, 2011**

(54) **PERSONAL COMPUTER HAVING THREE MONITORS**

(76) Inventor: **Eun-Suk Lee**, Seoul (KR)

(\*\*) Term: **14 Years**

(21) Appl. No.: **29/384,690**

(22) Filed: **Feb. 2, 2011**

(51) **LOC (9) Cl.** ..... **14-02**

(52) **U.S. Cl.** ..... **D14/306**; D14/127

(58) **Field of Classification Search** ..... D14/371-376,  
D14/125-129, 336, 337, 306; 248/917-924,  
248/278.1; 345/104, 156, 173, 174, 901-905;  
348/180, 184, 325, 739, 836; 361/679.01,  
361/679.02, 679.21-679.25; 349/1, 2, 11,  
349/58

See application file for complete search history.

(56) **References Cited**

**U.S. PATENT DOCUMENTS**

D415,744 S \* 10/1999 Carter et al. .... D14/373  
D469,414 S \* 1/2003 Lewis ..... D14/126  
D539,767 S \* 4/2007 Kang et al. .... D14/128

D597,143 S \* 7/2009 Izumi ..... D21/333  
D614,181 S \* 4/2010 Smith et al. .... D14/331  
D615,511 S \* 5/2010 Shin et al. .... D14/126  
D615,515 S \* 5/2010 Hwang ..... D14/130  
D623,621 S \* 9/2010 Roed et al. .... D14/127  
7,864,524 B2 \* 1/2011 Ladouceur et al. .... 361/679.55

\* cited by examiner

*Primary Examiner* — Freda S Nunn

(74) *Attorney, Agent, or Firm* — Portland IP Law LLC

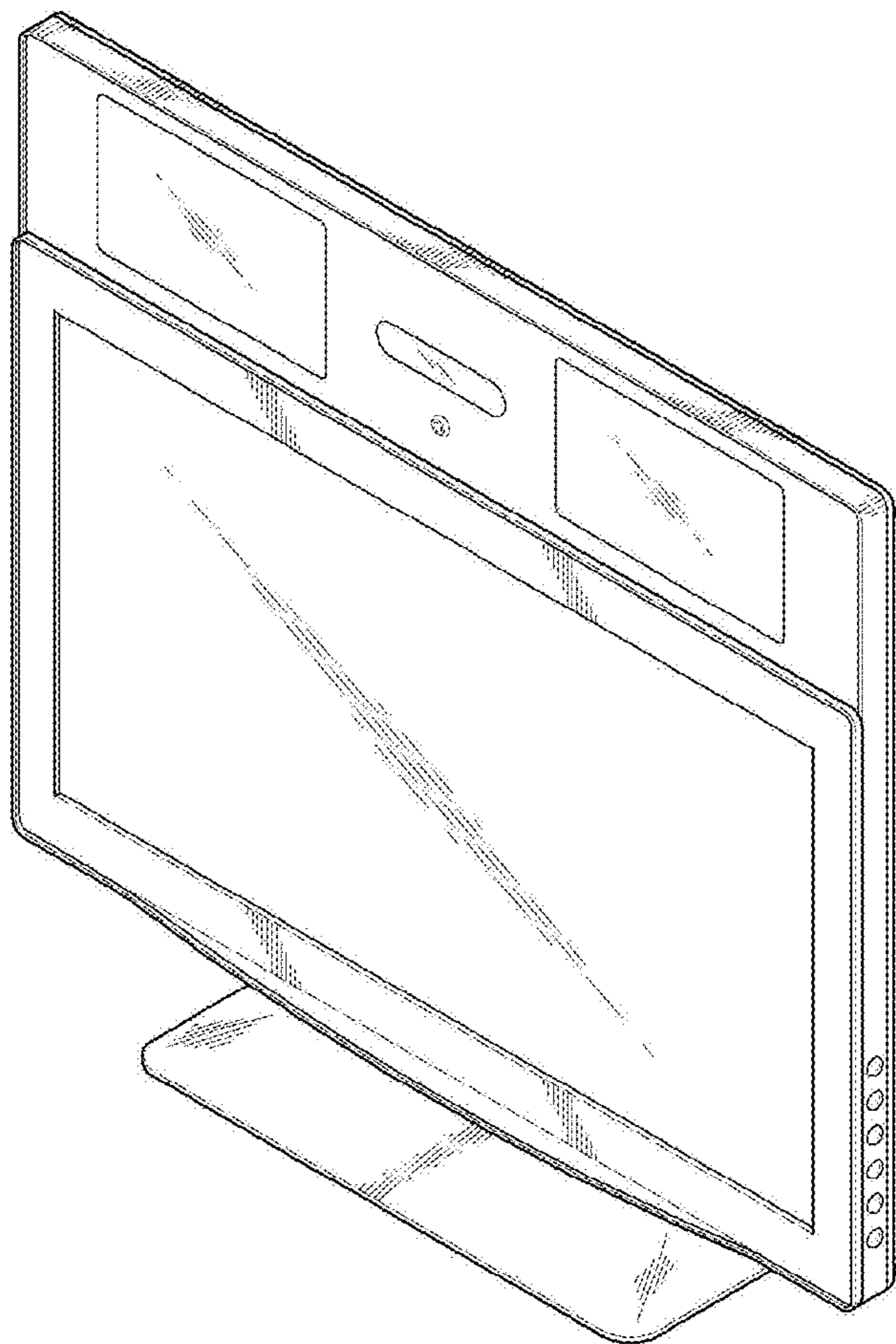
(57) **CLAIM**

The ornamental design for a personal computer having three monitors, as shown and described.

**DESCRIPTION**

FIG. 1 is a perspective view of a personal computer having three monitors showing my new design; FIG. 2 is a front elevational view thereof; FIG. 3 is a rear elevational view thereof; FIG. 4 is a left side elevational view thereof; FIG. 5 is a right side elevational view thereof; FIG. 6 is a top plan view thereof; and, FIG. 7 is a bottom plan view thereof.

**1 Claim, 6 Drawing Sheets**



**FIG. 1**

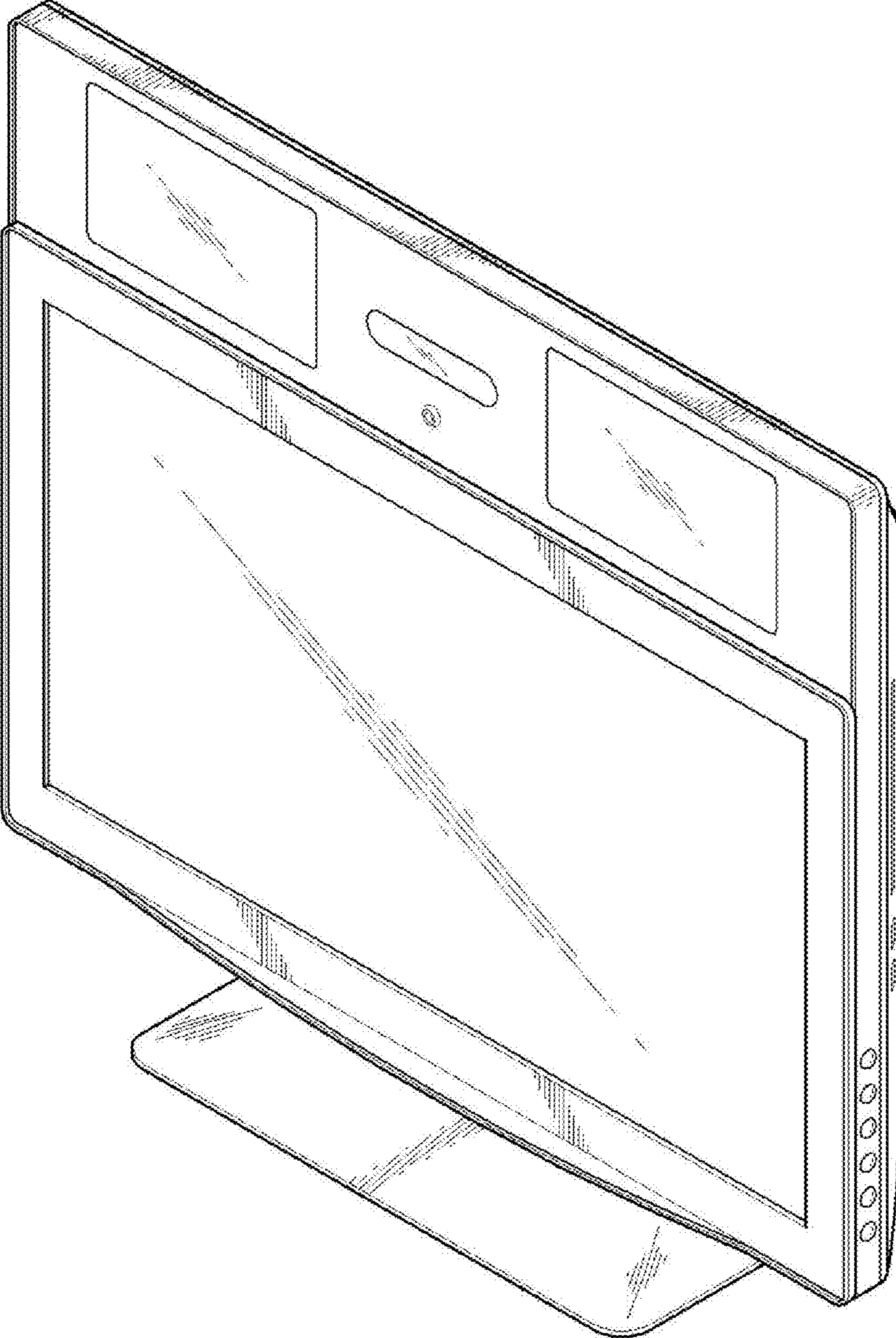


FIG. 2

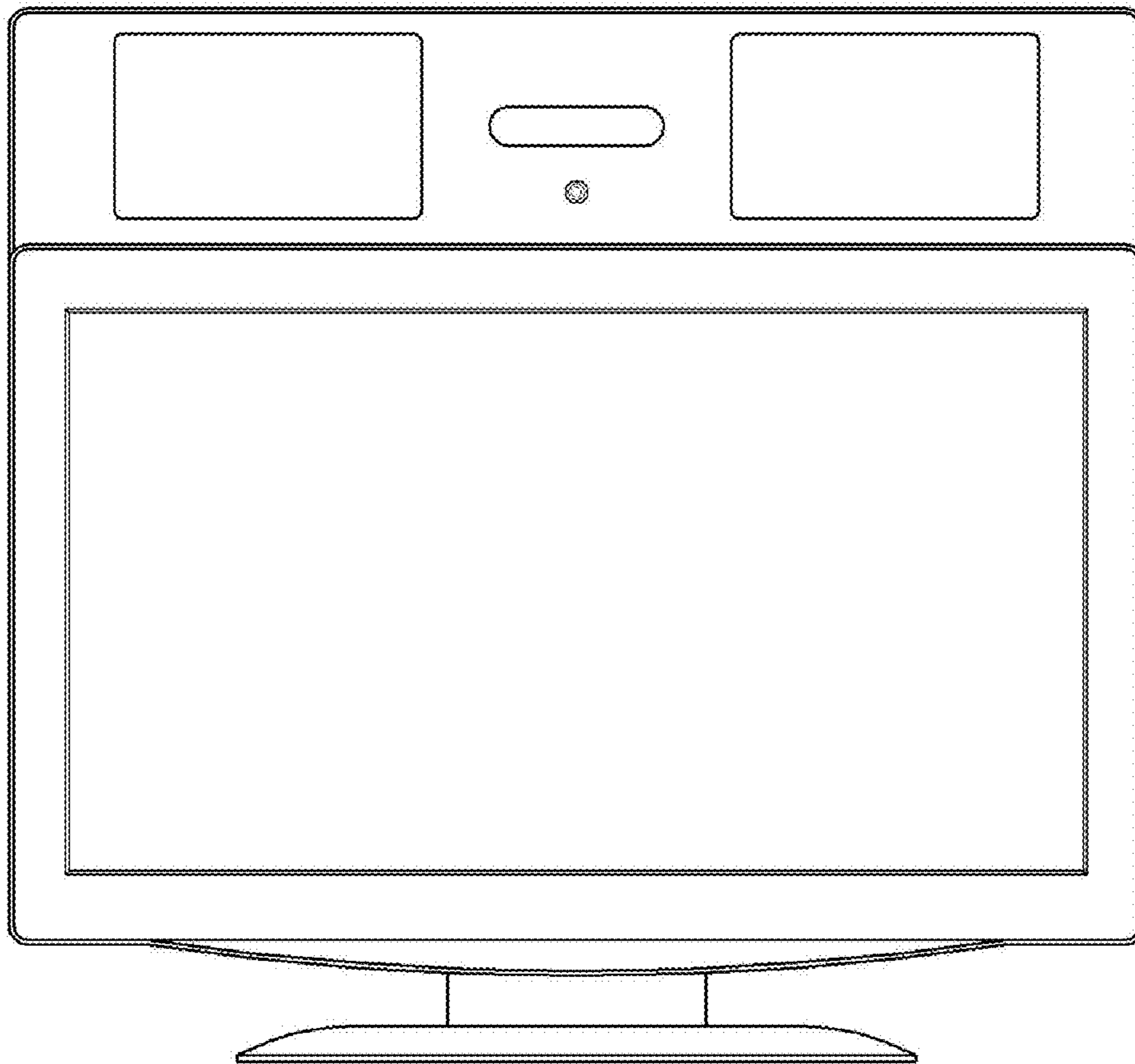
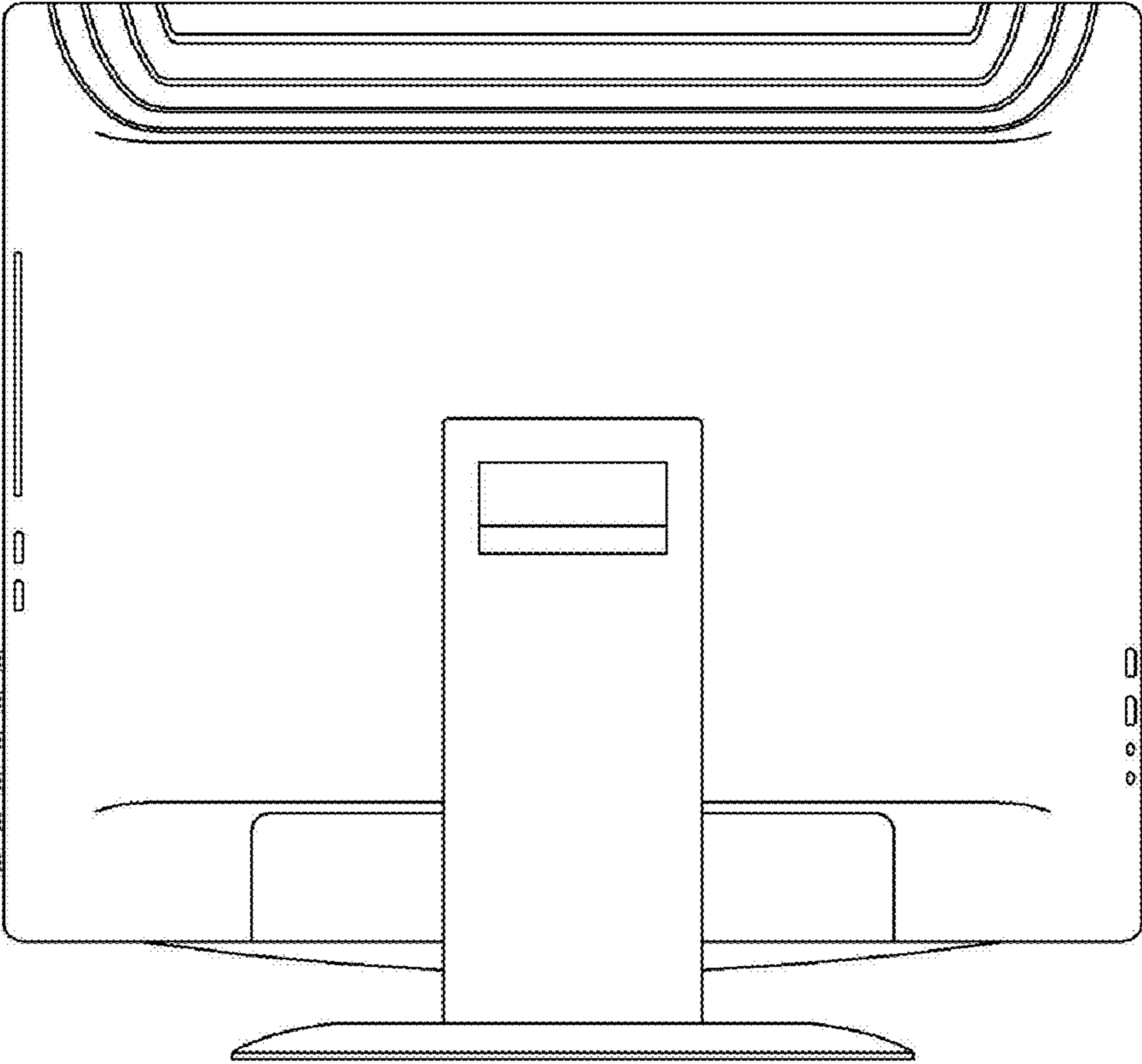
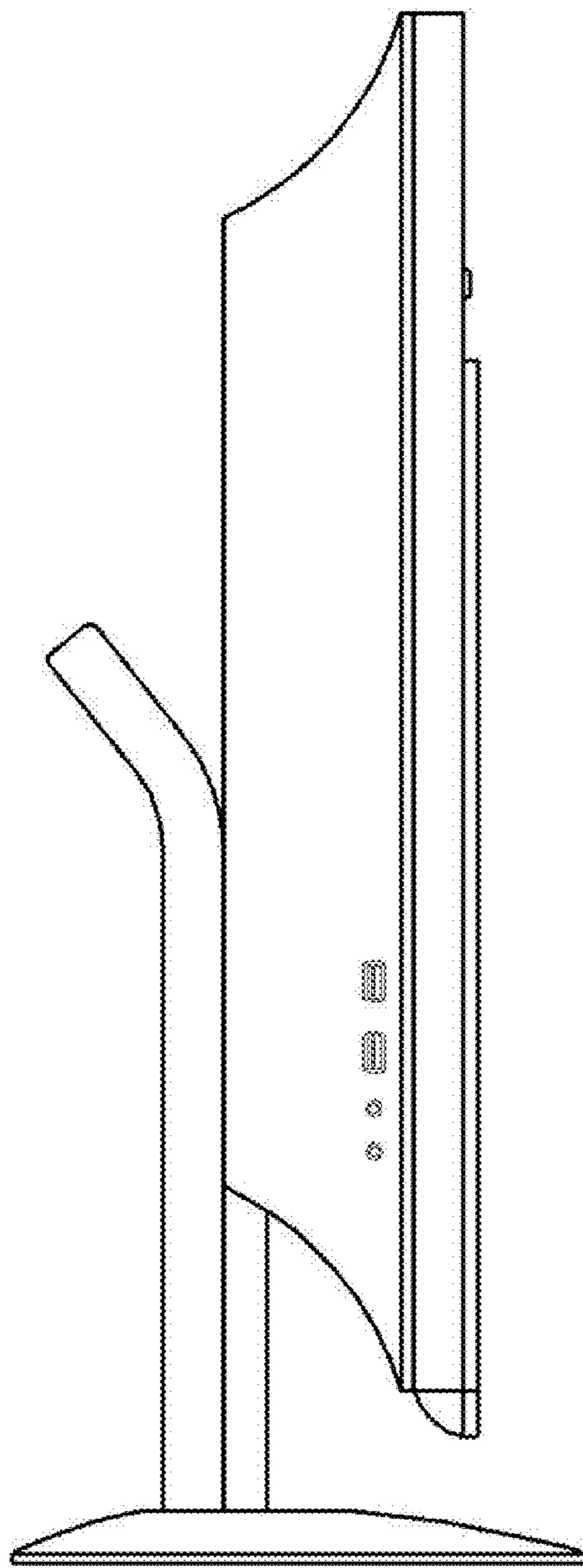


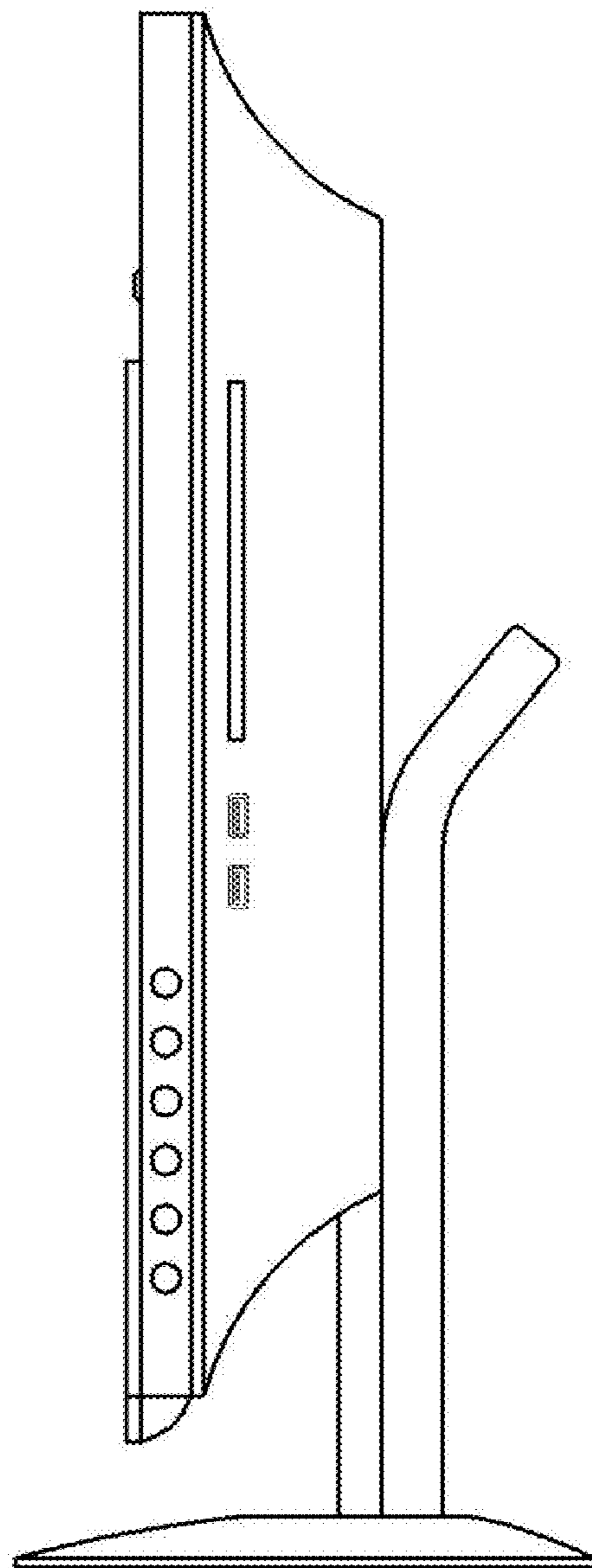
FIG. 3



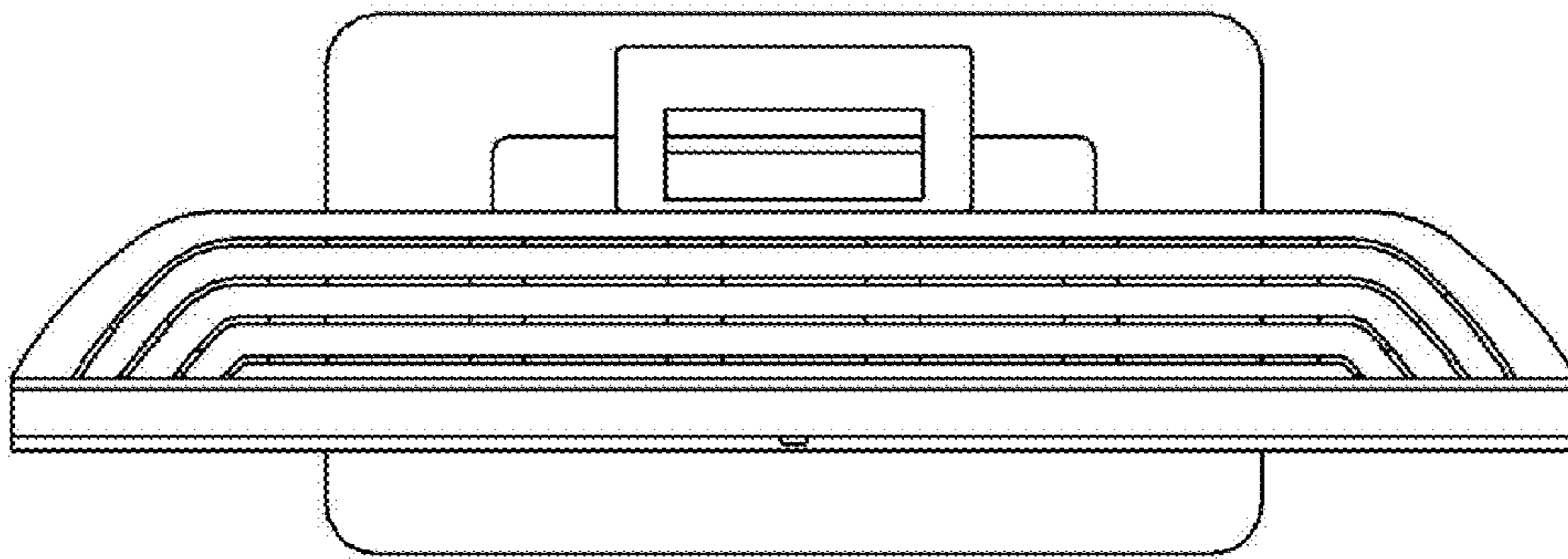
**FIG. 4**



**FIG. 5**



**FIG. 6**



**FIG. 7**

