



US00D650778S

(12) **United States Design Patent**
Suzuki et al.

(10) **Patent No.:** **US D650,778 S**

(45) **Date of Patent:** **** Dec. 20, 2011**

(54) **OPERATING CONSOLE**

(75) Inventors: **Hiroshi Suzuki**, Tokyo (JP); **Eisuke Noda**, Tokyo (JP); **Shigeo Aoyama**, Tokyo (JP)

(73) Assignee: **Mitsubishi Heavy Industries, Ltd.**, Tokyo (JP)

(**) Term: **14 Years**

(21) Appl. No.: **29/384,209**

(22) Filed: **Jan. 28, 2011**

(30) **Foreign Application Priority Data**

Nov. 8, 2010 (JP) 2010-026790

(51) **LOC (9) Cl.** **14-02**

(52) **U.S. Cl.** **D14/306; D6/425**

(58) **Field of Classification Search** D14/304-307,
D14/127, 371, 374; D6/422, 425, 426, 480,
D6/484, 511; 312/223.1-223.3, 351.4, 194-198,
312/239, 279; 108/50.01, 50.02, 64, 155;
248/188, 188.1, 188.8

See application file for complete search history.

(56) **References Cited**

U.S. PATENT DOCUMENTS

4,113,331	A	*	9/1978	Derdzinski et al.	312/198
D278,820	S	*	5/1985	Woodhall	D14/306
D372,226	S	*	7/1996	Maguire, Jr.	D14/306
D374,432	S	*	10/1996	Maquire, Jr.	D14/305
D424,324	S	*	5/2000	Atkins	D6/426
D436,354	S	*	1/2001	Kodimer	D14/306
D476,325	S	*	6/2003	Monson et al.	D14/306
D536,193	S	*	2/2007	Sapp	D6/425
D545,094	S	*	6/2007	Atkins	D6/511
D585,857	S	*	2/2009	Monson et al.	D14/127
2005/0217540	A1	*	10/2005	Novak	108/50.01

* cited by examiner

Primary Examiner — Freda S Nunn

(74) *Attorney, Agent, or Firm* — Wenderoth, Lind & Ponack, L.L.P.

(57) **CLAIM**

The ornamental design for an operating console, as shown and described.

DESCRIPTION

FIG. 1 is a perspective view of an operating console.
FIG. 2 is a front elevation view thereof.
FIG. 3 a rear elevation view thereof.
FIG. 4 is a right side elevation view thereof. A left side elevation view is omitted because it is symmetrical to the right side elevation view.
FIG. 5 is a top plan view thereof; and,
FIG. 6 is a bottom plan view thereof.

1 Claim, 6 Drawing Sheets

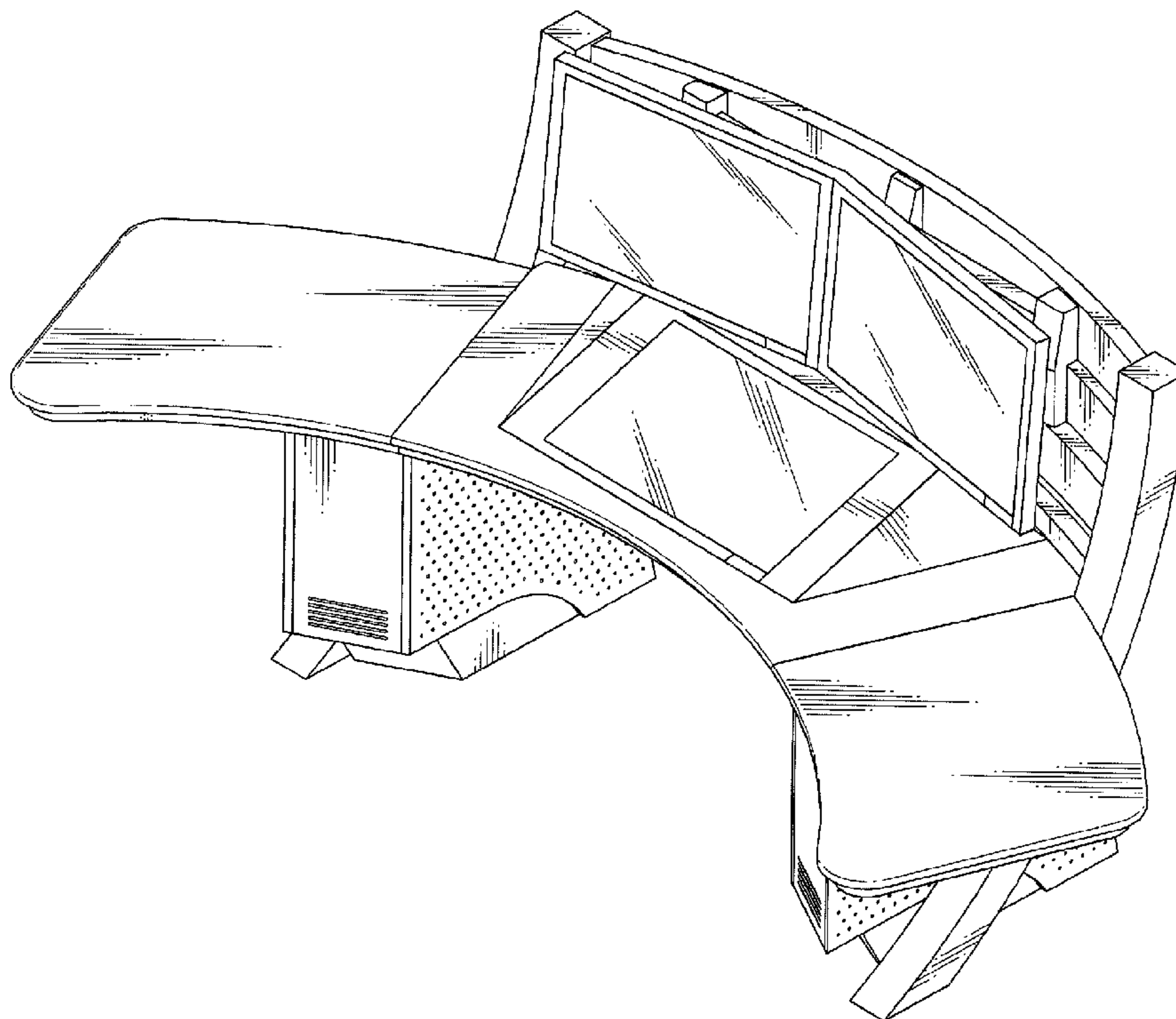


FIG. 1

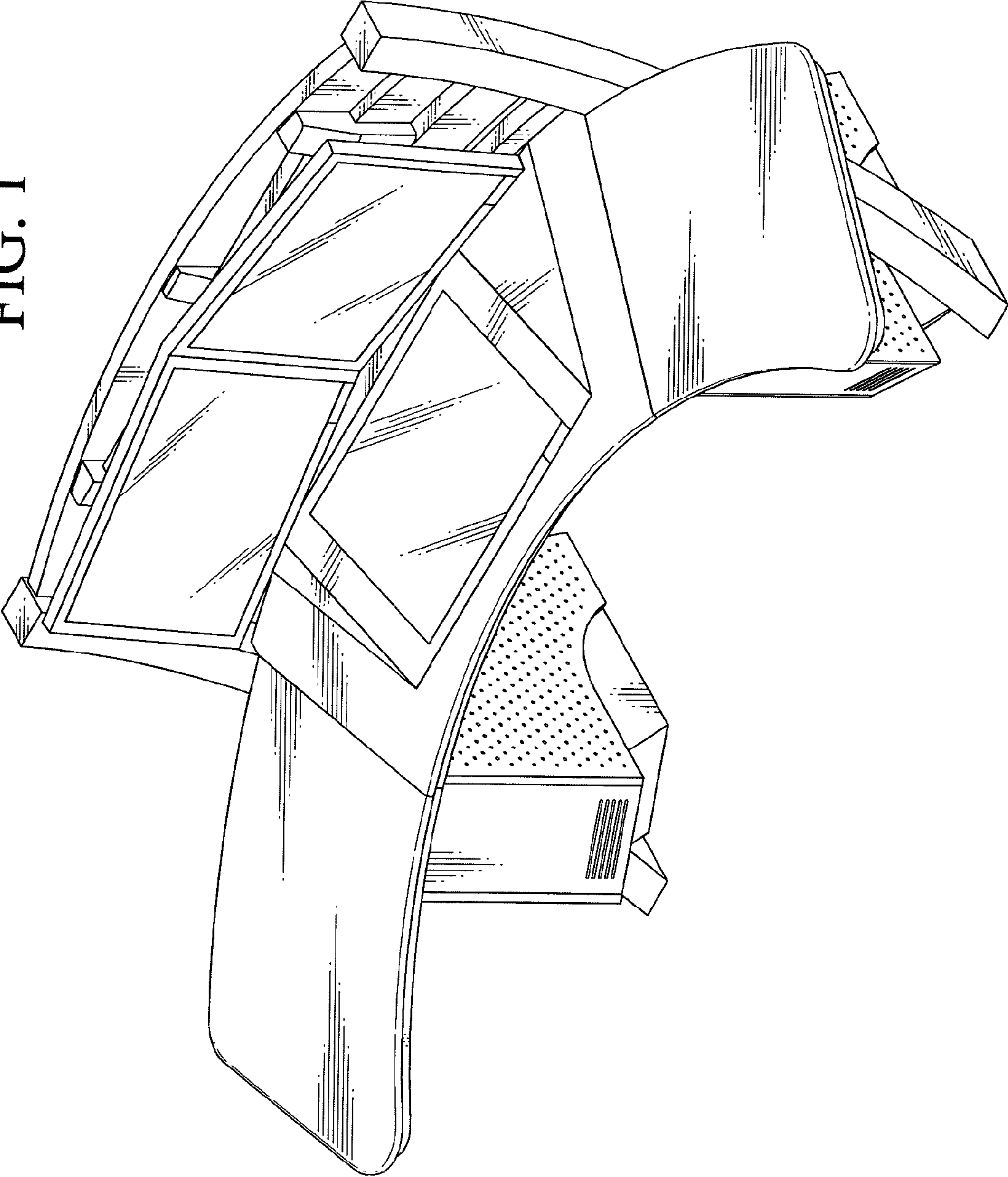


FIG. 2

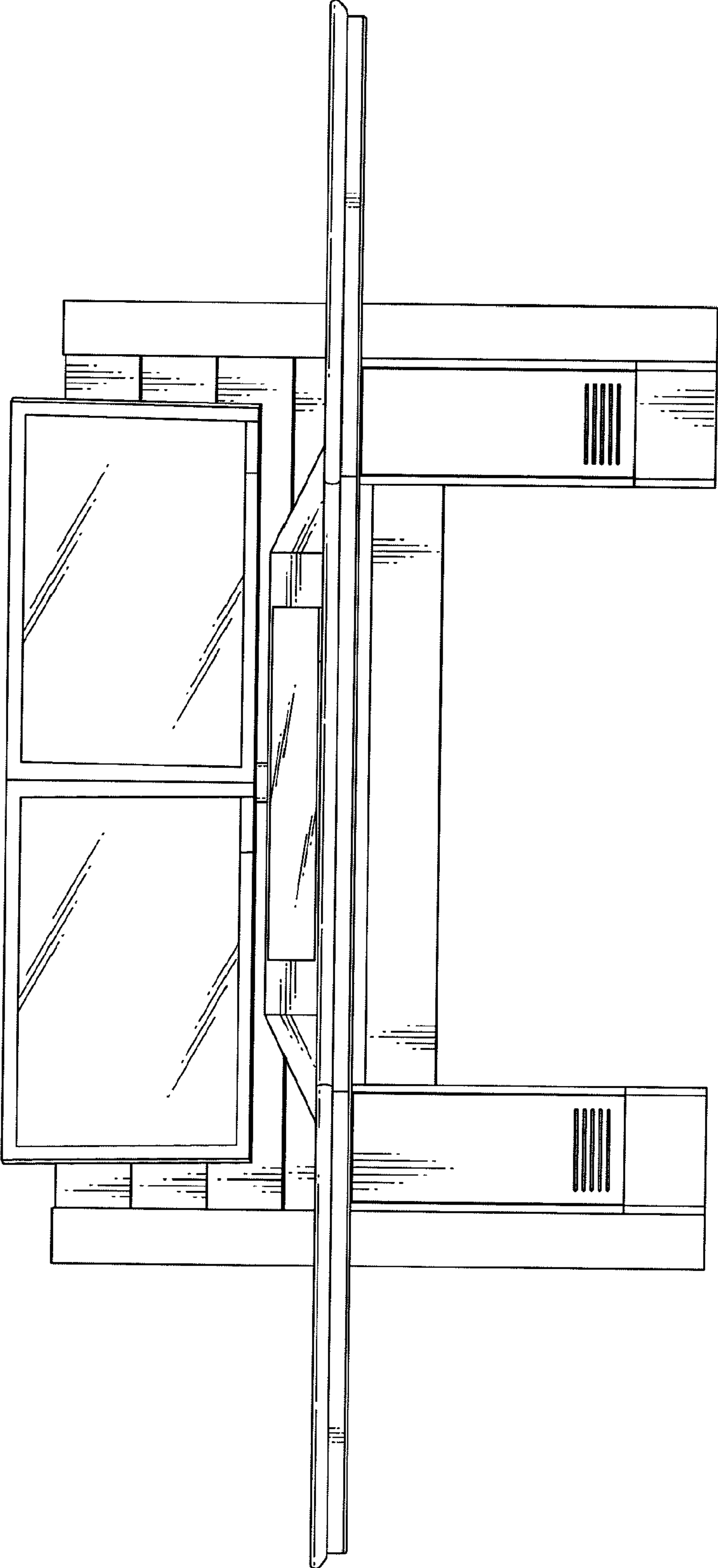


FIG. 3

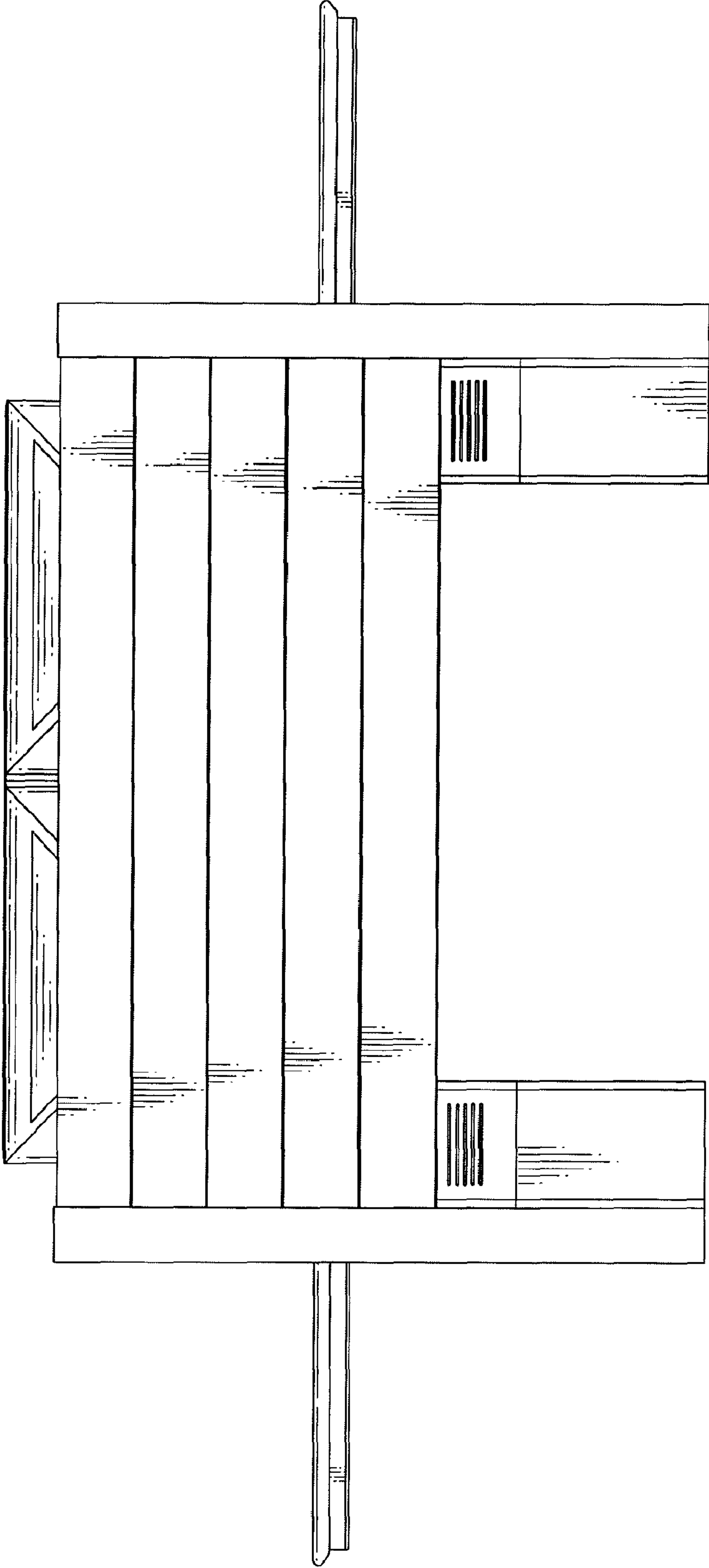


FIG. 4

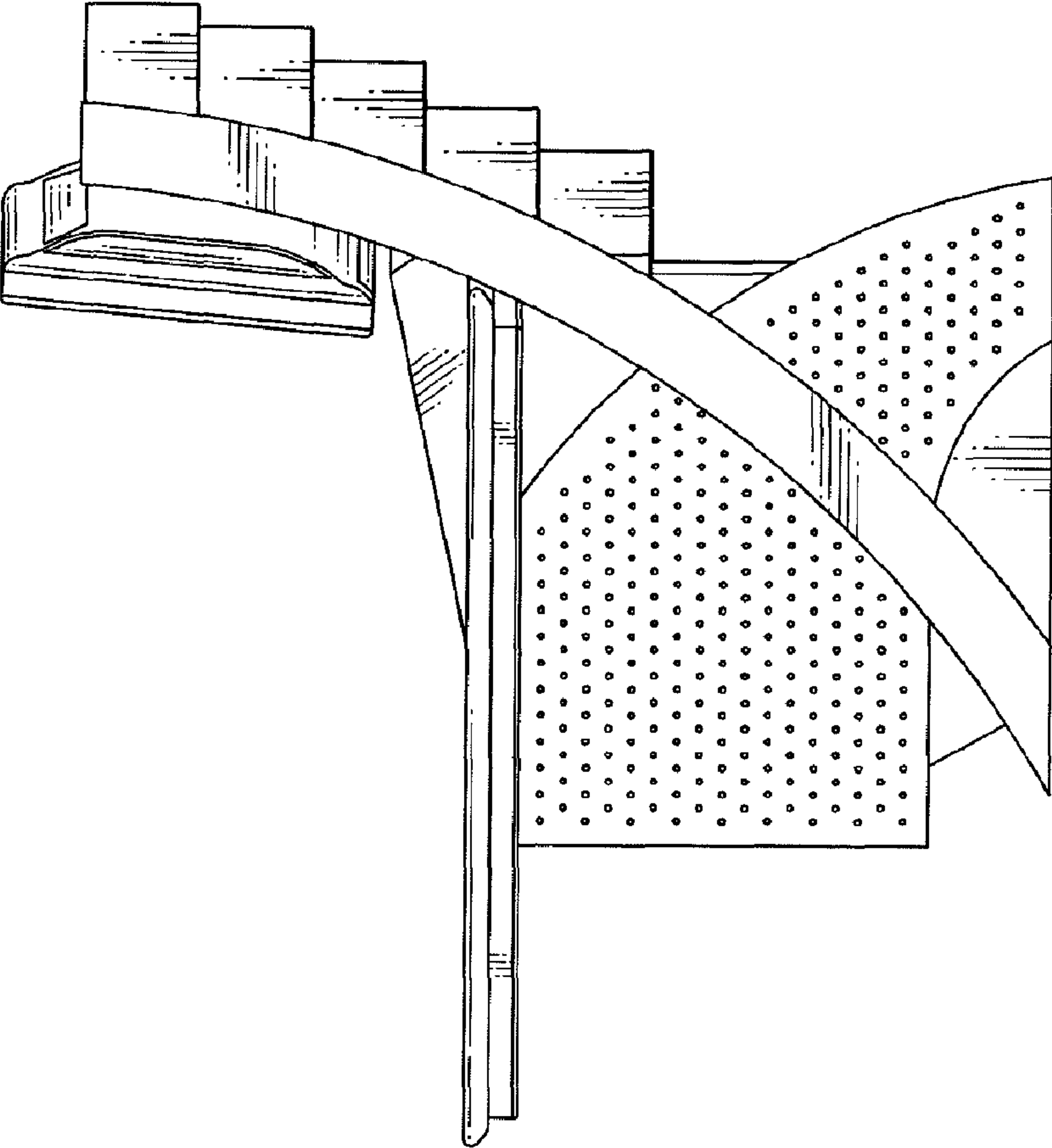


FIG. 5

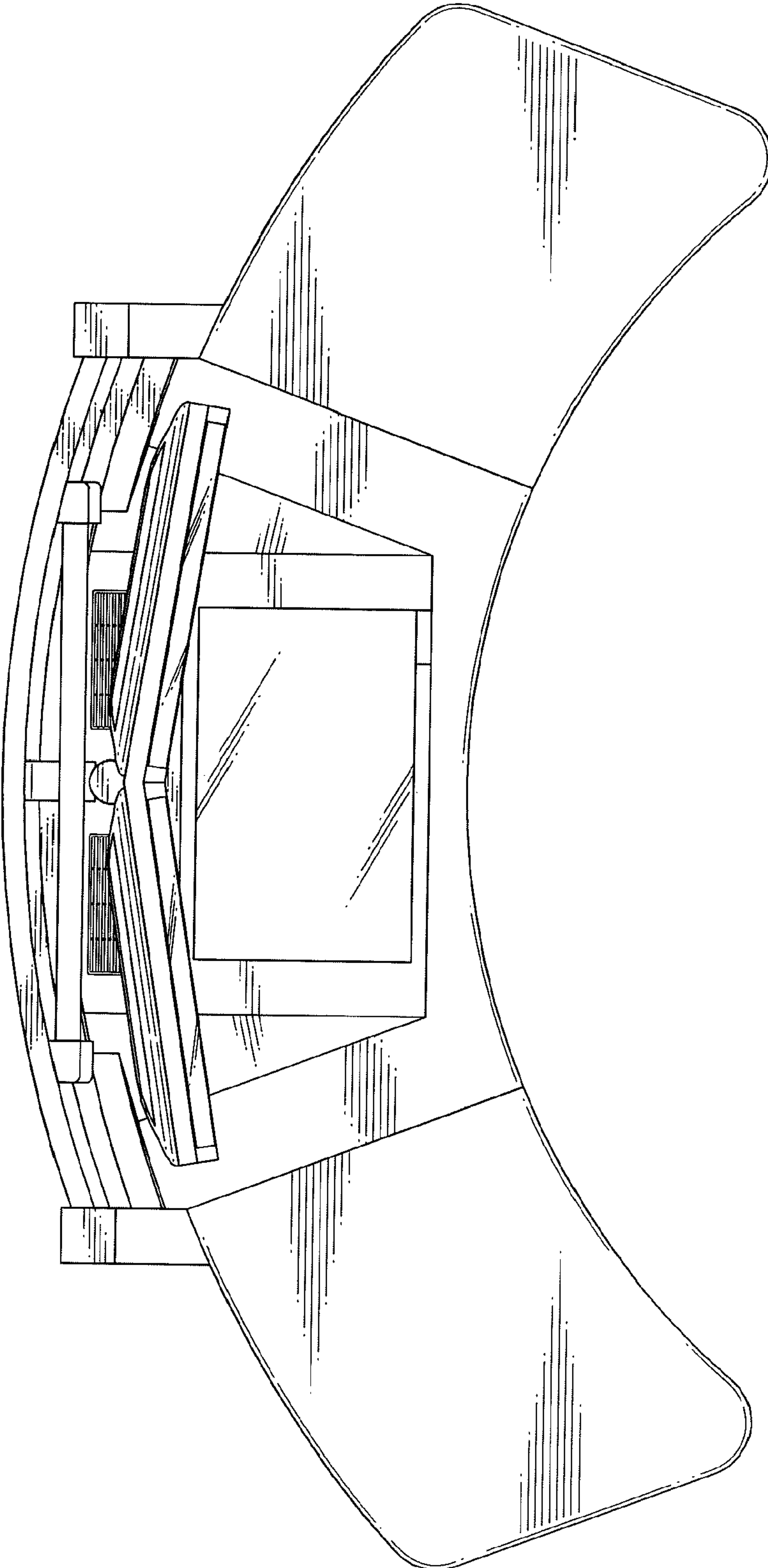


FIG. 6

