



US00D650777S

(12) **United States Design Patent**  
**Suzuki et al.**

(10) **Patent No.:** **US D650,777 S**

(45) **Date of Patent:** **\*\* Dec. 20, 2011**

(54) **OPERATING CONSOLE**

(75) Inventors: **Hiroshi Suzuki**, Tokyo (JP); **Eisuke Noda**, Tokyo (JP); **Shigeo Aoyama**, Tokyo (JP)

(73) Assignee: **Mitsubishi Heavy Industries, Ltd.**, Tokyo (JP)

(\*\*) Term: **14 Years**

(21) Appl. No.: **29/384,165**

(22) Filed: **Jan. 27, 2011**

(30) **Foreign Application Priority Data**

Nov. 8, 2010 (JP) ..... 2010-026791

(51) **LOC (9) Cl.** ..... **14-02**

(52) **U.S. Cl.** ..... **D14/306**; D14/371; D6/425

(58) **Field of Classification Search** ..... D14/304-307, D14/127, 371, 374; D6/422, 425, 426, 480, D6/484, 511; 312/223.1-223.3, 351.4, 194-198, 312/239, 279; 108/50.01, 50.02, 64, 155; 248/188, 188.1, 188.8

See application file for complete search history.

(56) **References Cited**

**U.S. PATENT DOCUMENTS**

4,113,331 A \* 9/1978 Derdzinski et al. .... 312/198  
D278,820 S \* 5/1985 Woodhall ..... D14/306  
D372,226 S \* 7/1996 Maguire, Jr. .... D14/306

D374,432 S \* 10/1996 Maquire, Jr. .... D14/305  
D424,324 S \* 5/2000 Atkins ..... D6/426  
D436,354 S \* 1/2001 Kodimer ..... D14/306  
D476,325 S \* 6/2003 Monson et al. .... D14/306  
D536,193 S \* 2/2007 Sapp ..... D6/425  
D545,094 S \* 6/2007 Atkins et al. .... D6/511  
D585,857 S \* 2/2009 Monson et al. .... D14/127  
2005/0217540 A1 \* 10/2005 Novak ..... 108/50.01

\* cited by examiner

*Primary Examiner* — Freda S Nunn

(74) *Attorney, Agent, or Firm* — Wenderoth, Lind & Ponack, L.L.P.

(57) **CLAIM**

The ornamental design for an operating console, as shown and described.

**DESCRIPTION**

FIG. 1 is a perspective view of an operating console.

FIG. 2 is a front elevation view thereof.

FIG. 3 a rear elevation view thereof.

FIG. 4 is a right side elevation view thereof. A left side elevation view is omitted because it is symmetrical to the right side elevation view.

FIG. 5 is a top plan view thereof; and,

FIG. 6 is a bottom plan view thereof.

The portion of the article shown in broken lines is for the purpose of showing environmental structure only and forms no part of the claimed design.

**1 Claim, 6 Drawing Sheets**

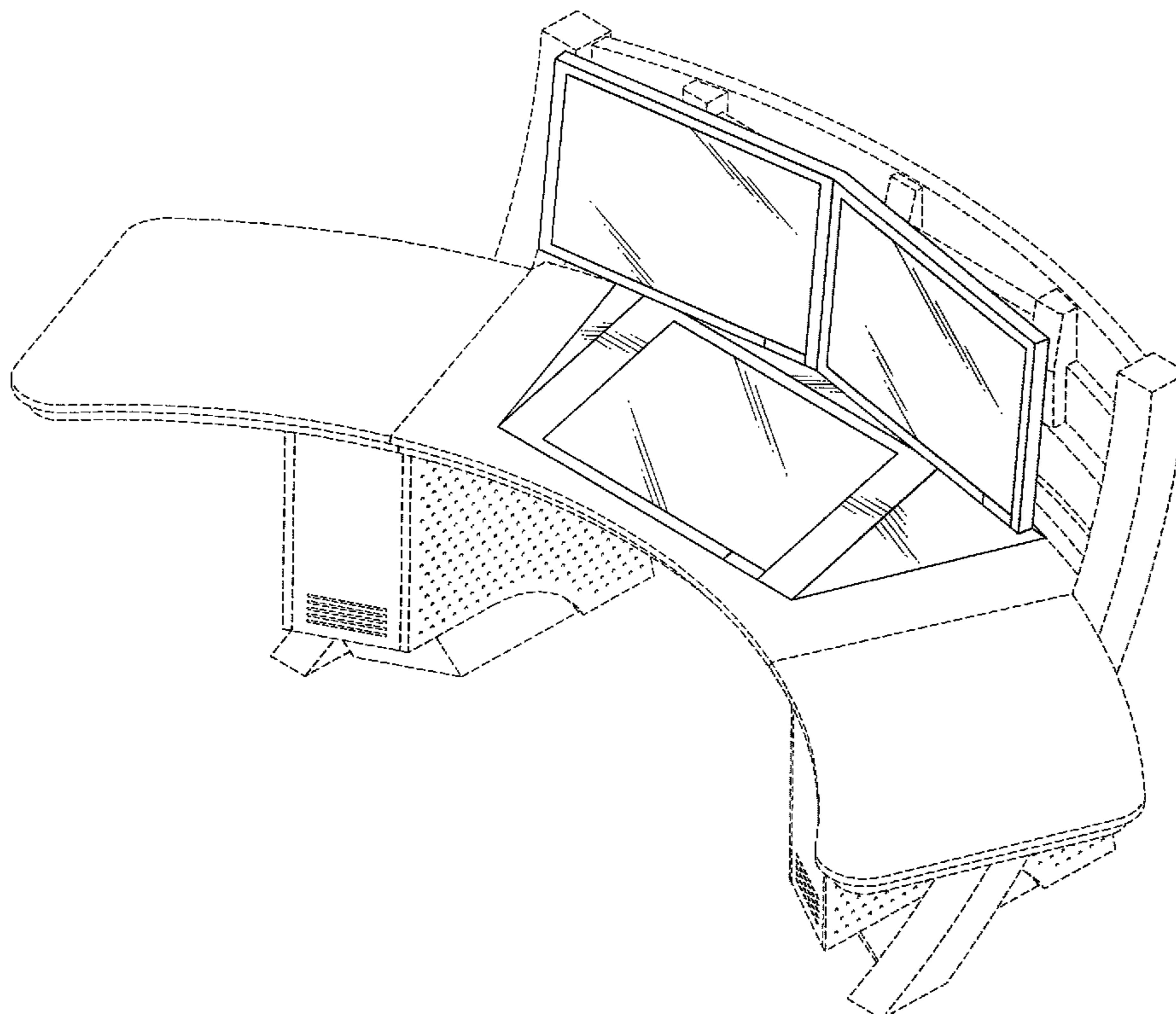


FIG. 1

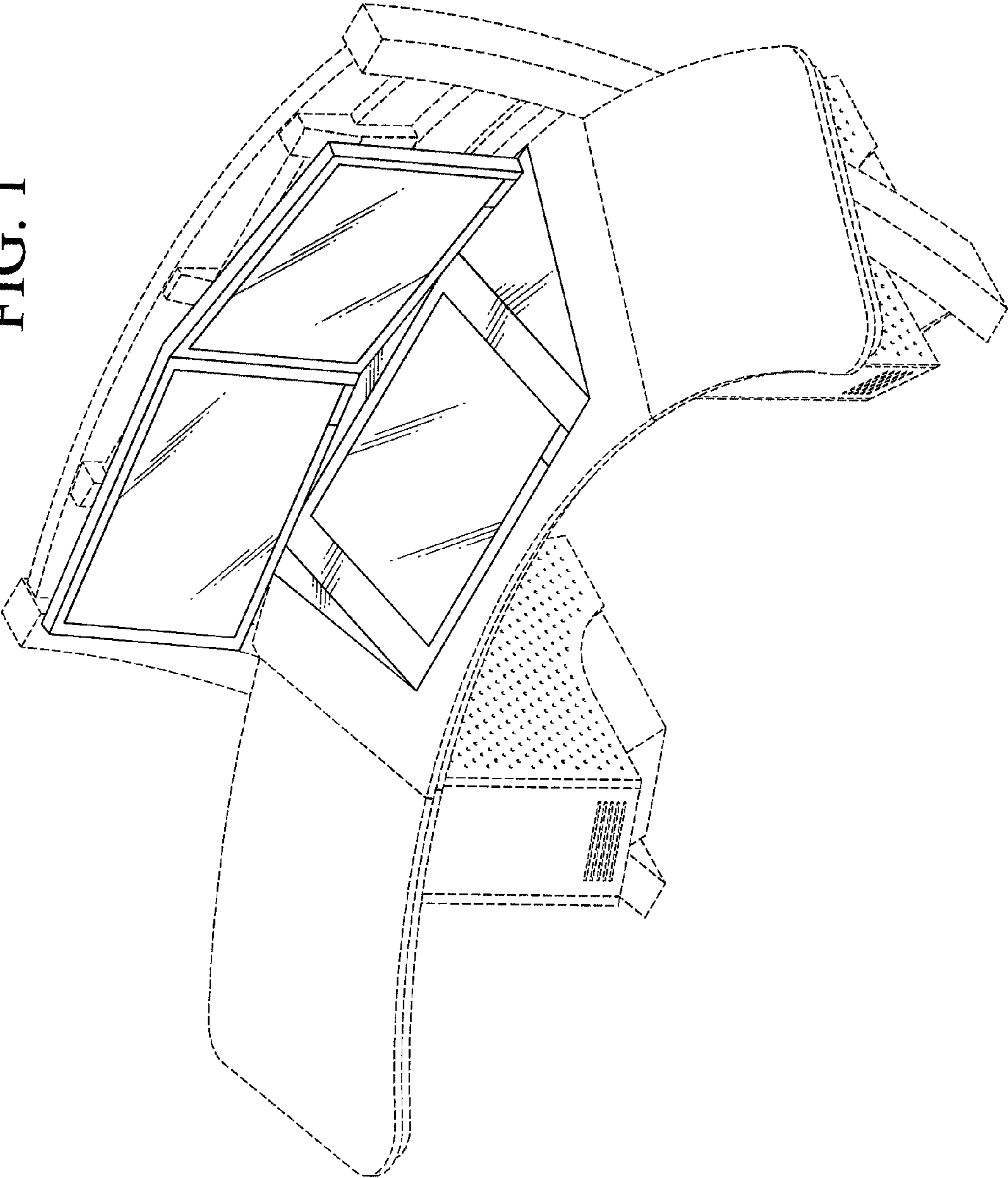


FIG. 2

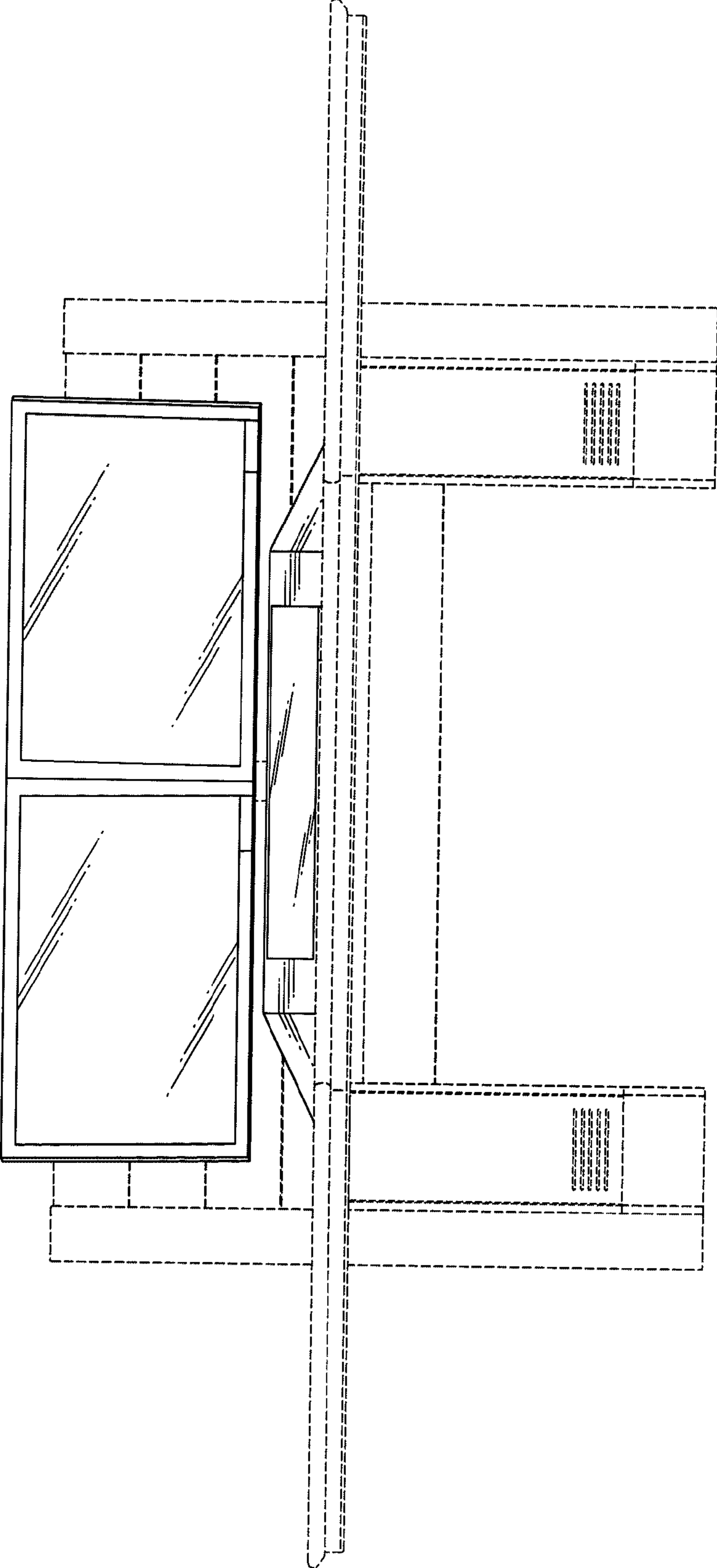


FIG. 3

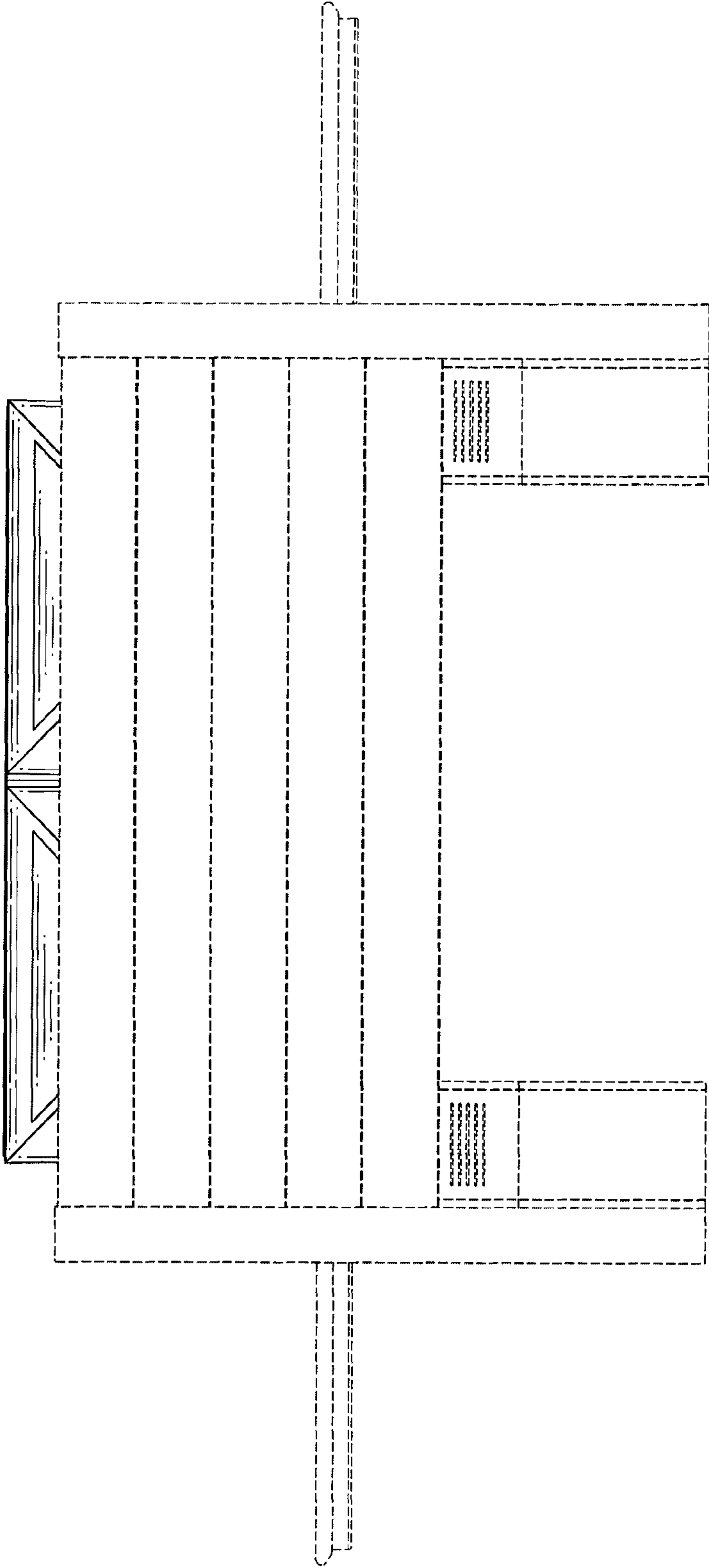


FIG. 4

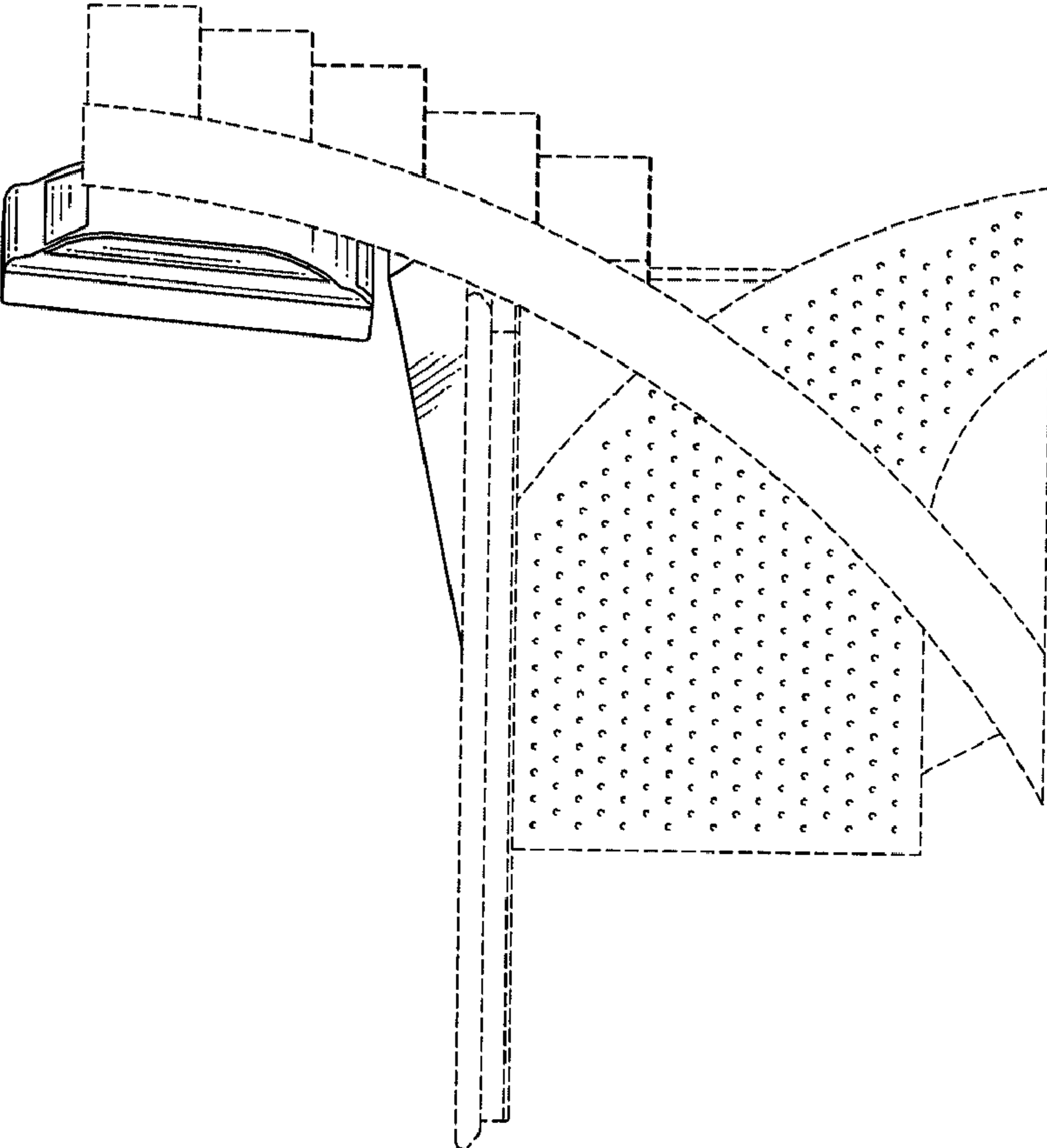


FIG. 5

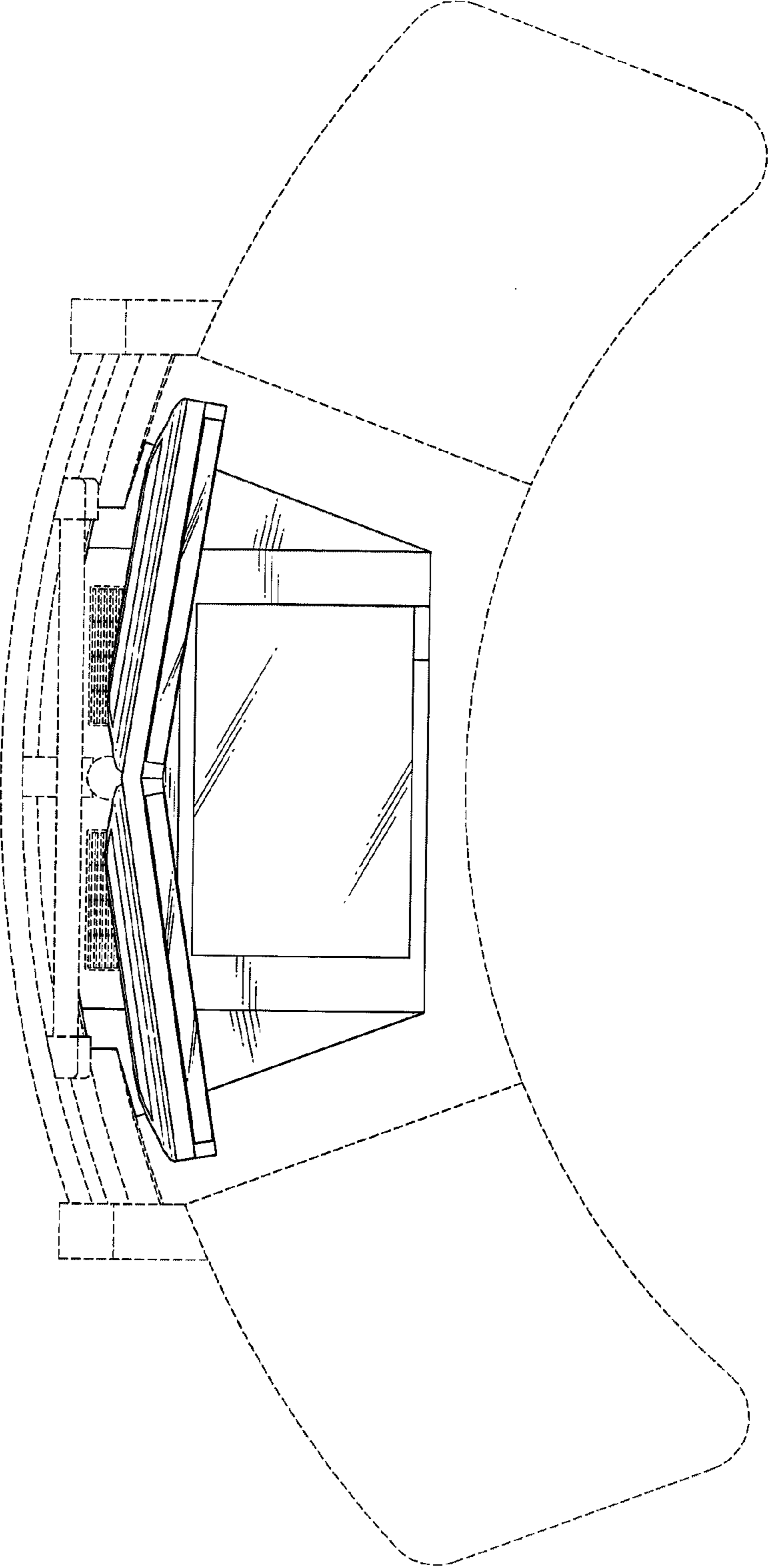


FIG. 6

