



US00D650774S

(12) **United States Design Patent**  
**Molter**

(10) **Patent No.:** **US D650,774 S**  
(45) **Date of Patent:** **\*\* Dec. 20, 2011**

(54) **MOUNTING SYSTEM FOR USE WITH AUDIO/VISUAL DEVICES OR THE LIKE**

(75) Inventor: **Daniel E. Molter**, Elmhurst, IL (US)

(73) Assignee: **Peerless Industries, Inc.**, Aurora, IL (US)

(\*\*) Term: **14 Years**

(21) Appl. No.: **29/393,509**

(22) Filed: **Jun. 6, 2011**

**Related U.S. Application Data**

(63) Continuation of application No. 29/393,275, filed on Jun. 1, 2011.

(51) **LOC (9) Cl.** ..... **14-03**

(52) **U.S. Cl.** ..... **D14/239**

(58) **Field of Classification Search** ..... D14/125-134, D14/239, 371, 136, 374-377; D8/363, 373, D8/349, 394; 248/465, 917-924, 123.11; 348/825, 827, 836, 837, 838, 180, 184, 325, 348/739; 600/443; D6/477-479, 407, 474, D6/460, 461, 468; 312/7.2; 341/12; 345/87, 345/104, 133, 156, 168, 169, 173; 720/605, 720/669, 600, 655; 369/99, 197; 455/344-347; 349/1, 2, 11, 62; 108/59, 91, 92, 96; 211/40, 211/41.12, 42, 49.1, 50, 85.2, 90.04, 187, 211/190, 119.003, 134.153, 87.01, 71.01

See application file for complete search history.

(56) **References Cited**

**U.S. PATENT DOCUMENTS**

D478,088 S 8/2003 Hamouz  
7,261,265 B2 \* 8/2007 Burns ..... 248/276.1  
D560,470 S \* 1/2008 Short et al. .... D8/354  
D565,938 S \* 4/2008 Massoumi et al. .... D8/363

D579,319 S \* 10/2008 Short ..... D8/354  
D587,273 S \* 2/2009 Sculler et al. .... D14/451  
D598,459 S 8/2009 Gillespie  
D602,923 S \* 10/2009 Skull ..... D14/239  
D611,802 S \* 3/2010 Li ..... D8/363  
D621,390 S 8/2010 Skull et al.  
D627,359 S 11/2010 Gillespie  
D637,593 S \* 5/2011 Zanetti ..... D14/253  
D640,247 S \* 6/2011 Baumann et al. .... D14/253  
D641,610 S \* 7/2011 Sedalo ..... D8/354  
2005/0127261 A1 \* 6/2005 Lin ..... 248/288.51

**OTHER PUBLICATIONS**

U.S. Appl. No. 29/393,275, filed Jun. 1, 2011, Molter.

\* cited by examiner

*Primary Examiner* — Raphael Barkai

*Assistant Examiner* — Randall H Gholson

(74) *Attorney, Agent, or Firm* — Foley & Lardner LLP

(57) **CLAIM**

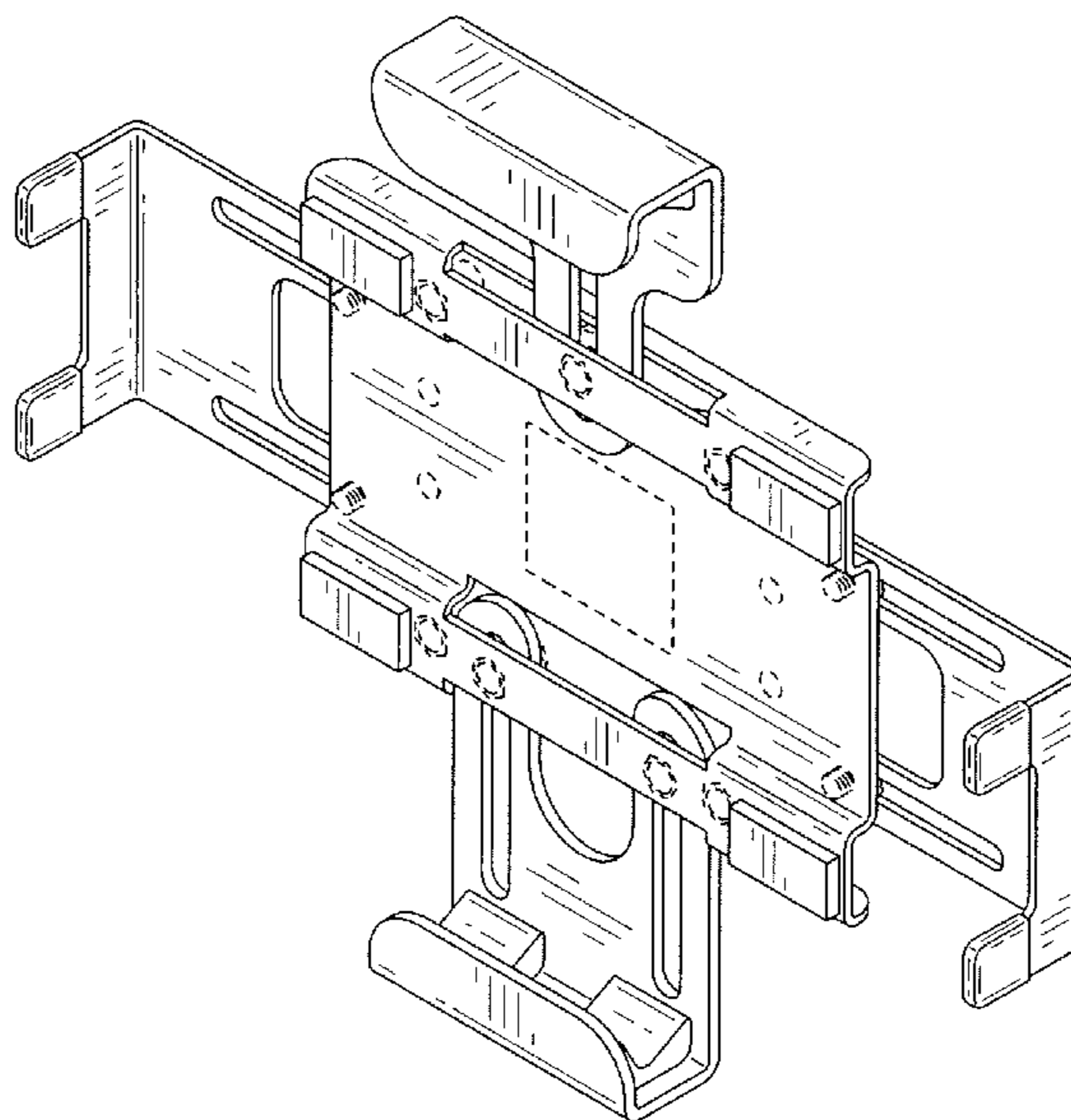
I claim the ornamental design for a mounting system for use with audio/visual devices or the like, as shown and described.

**DESCRIPTION**

FIG. 1 is a perspective view of a mounting system for use with audio/visual devices or the like showing my new design; FIG. 2 is a front elevational view thereof; FIG. 3 is a rear elevational view thereof; FIG. 4 is a left side elevational view thereof; FIG. 5 is a right side elevational view thereof; FIG. 6 is a top plan view thereof; and, FIG. 7 is a bottom plan view thereof.

The ornamental design which is claimed is shown in solid lines in the drawings. The broken lines in the drawings are for illustrative purposes only and form no part of the claimed design.

**1 Claim, 5 Drawing Sheets**



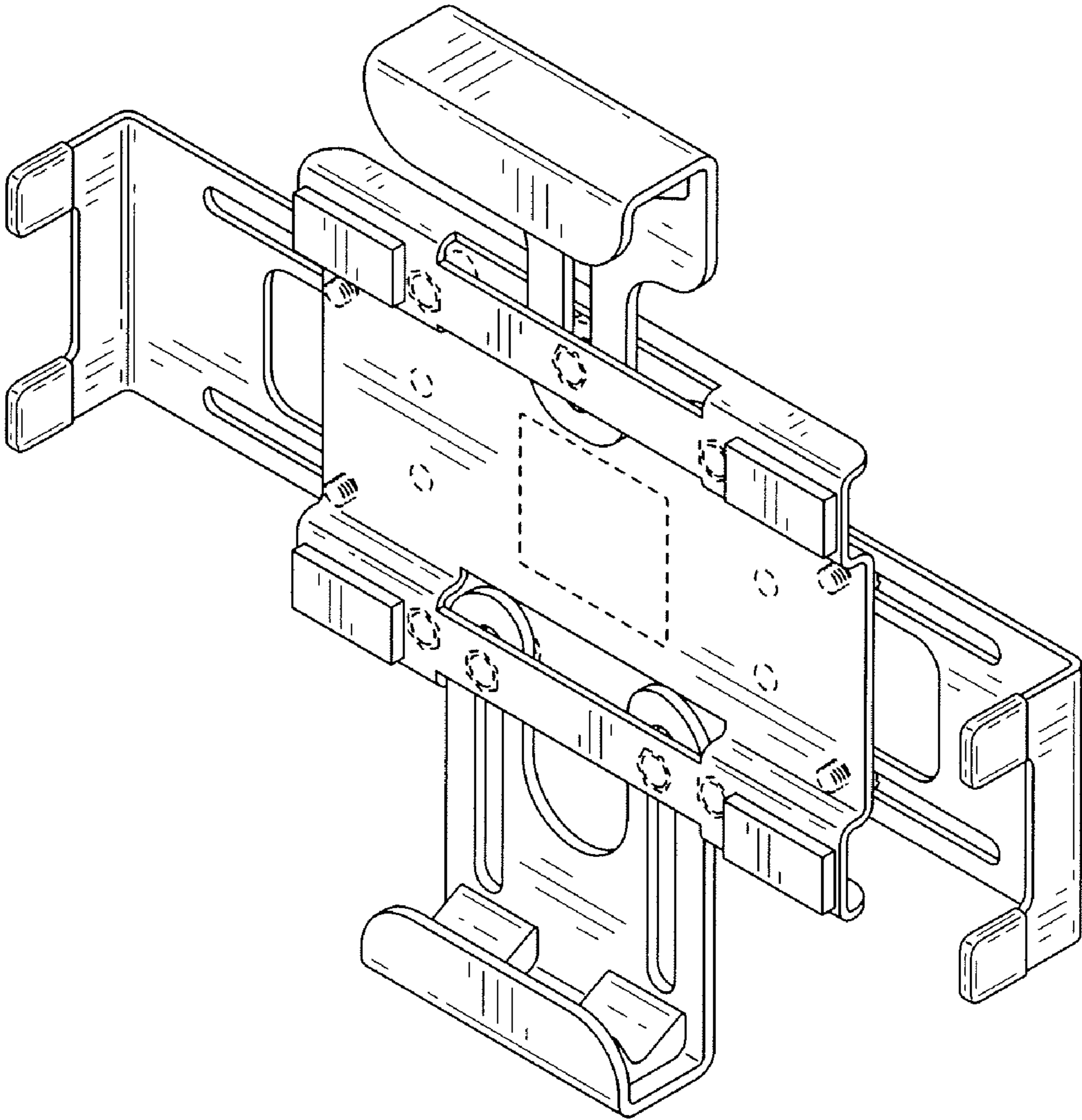


FIG. 1

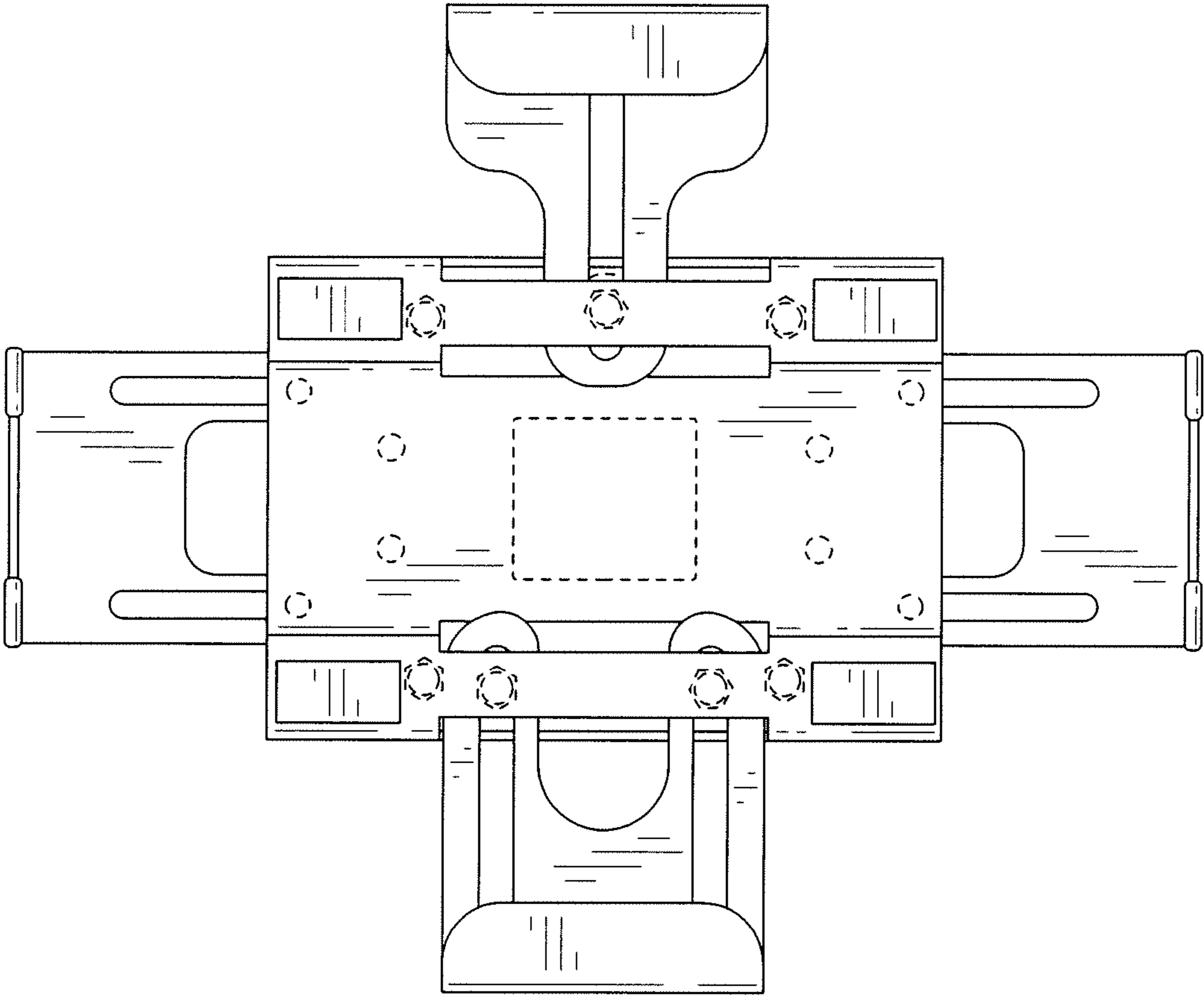


FIG. 2

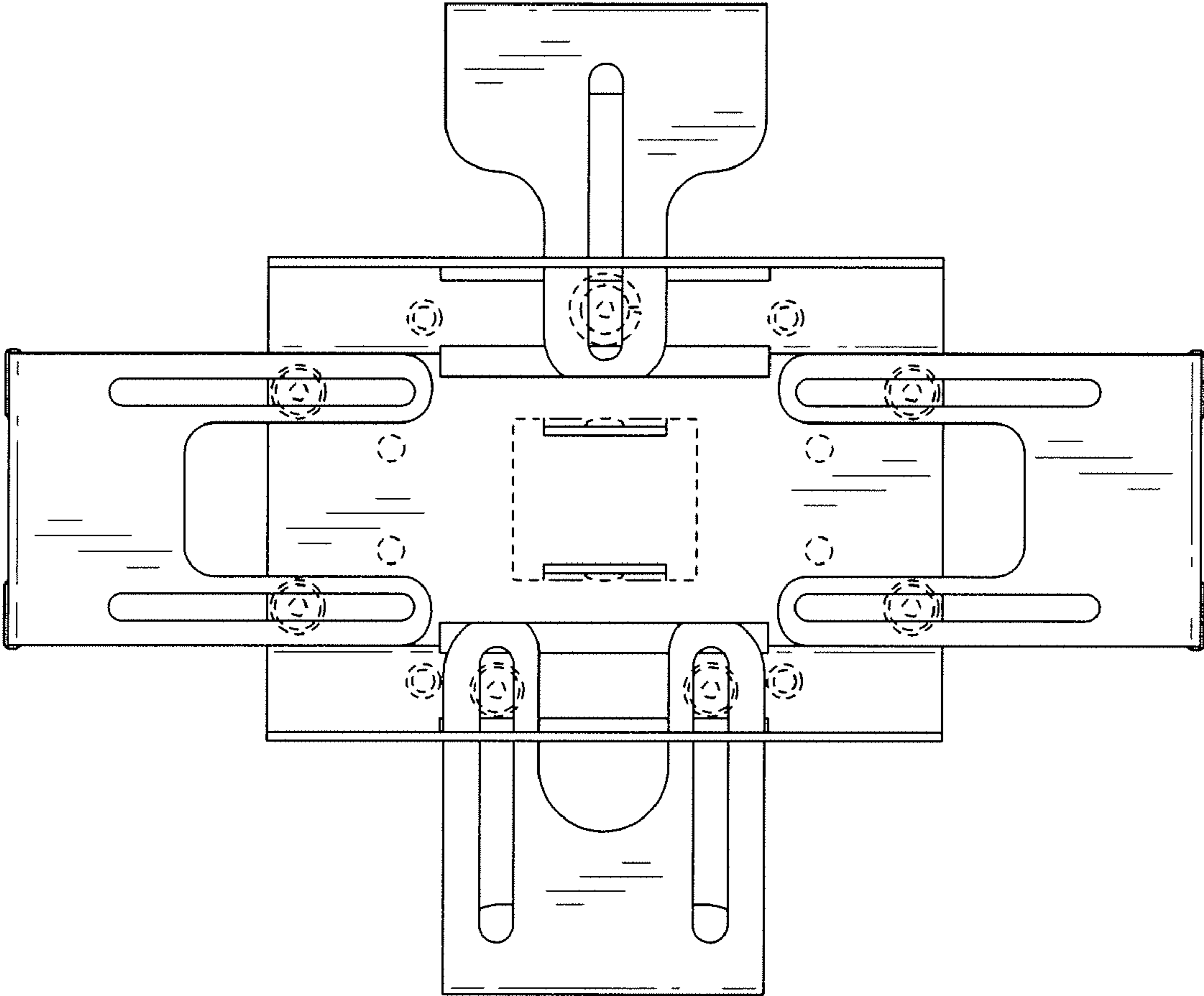


FIG. 3

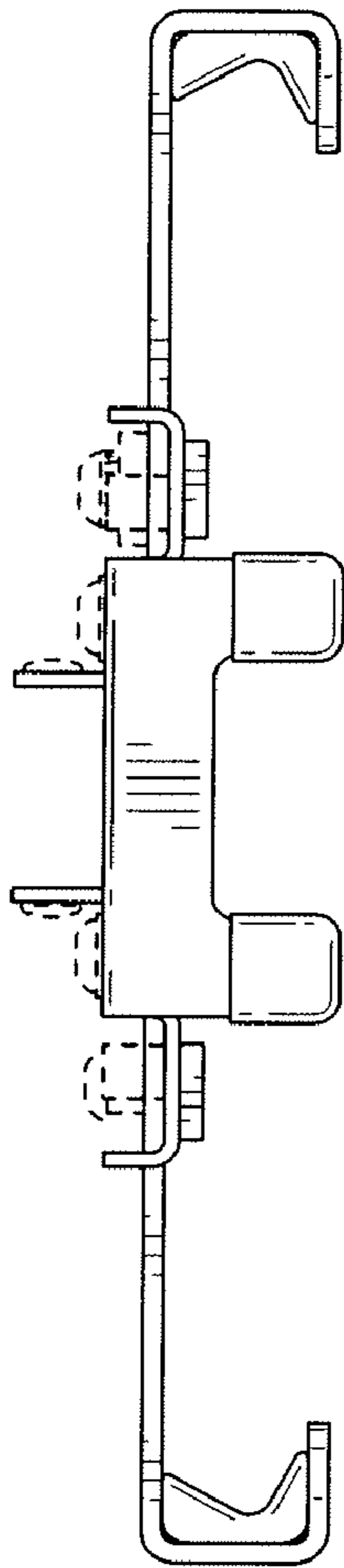


FIG. 4

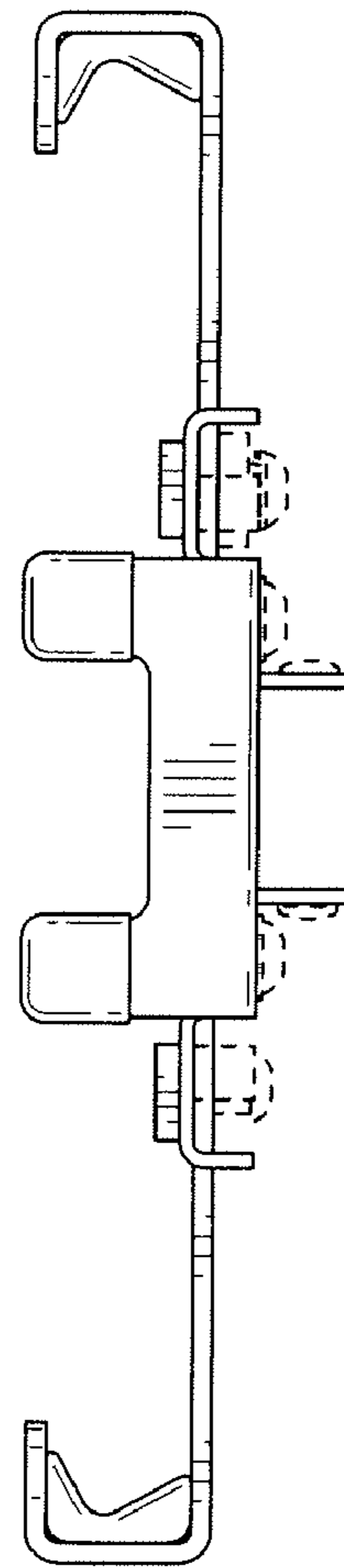


FIG. 5

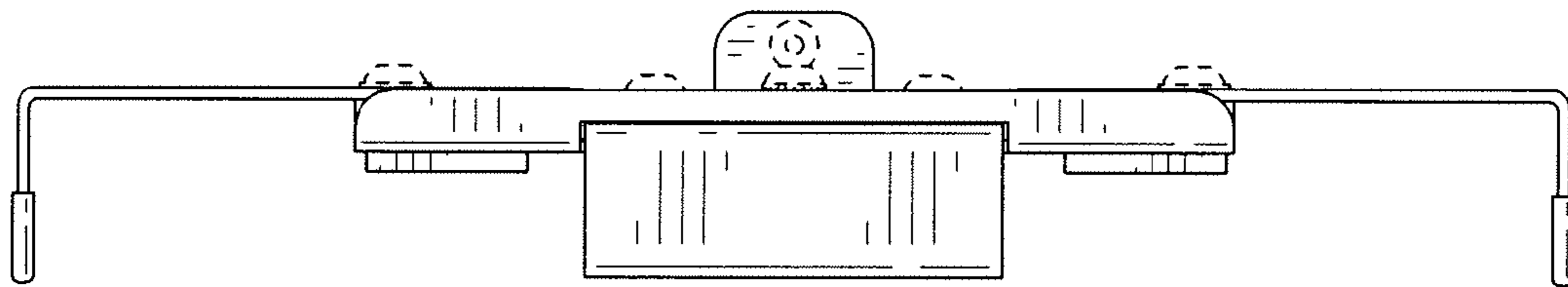


FIG. 6

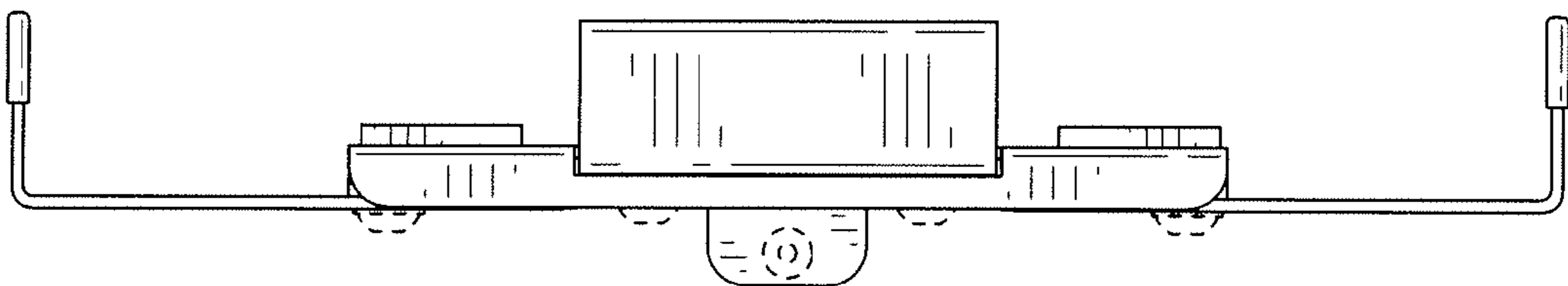


FIG. 7