



US00D650772S

(12) **United States Design Patent**  
**Chen**

(10) **Patent No.:** **US D650,772 S**

(45) **Date of Patent:** **\*\* Dec. 20, 2011**

(54) **SPEAKER**

(75) Inventor: **Hwang-Miaw Chen**, Tu-Cheng (TW)

(73) Assignee: **Hon Hai Precision Industry Co., Ltd.**,  
Tu-Cheng, New Taipei (TW)

(\*\*) Term: **14 Years**

(21) Appl. No.: **29/384,052**

(22) Filed: **Jan. 26, 2011**

(51) **LOC (9) Cl.** ..... **14-01**

(52) **U.S. Cl.** ..... **D14/216**

(58) **Field of Classification Search** ..... D14/204,  
D14/210-215, 221, 222, 172; 181/143-144,  
181/147-148, 150-153, 157, 166, 198-199;  
381/300-303, 306, 332-333, 336, 345, 361-364,  
381/386-388

See application file for complete search history.

(56) **References Cited**

**U.S. PATENT DOCUMENTS**

D517,533 S \* 3/2006 Yuasa et al. .... D14/221  
7,306,073 B2 \* 12/2007 Frasl ..... 181/166

D615,068 S \* 5/2010 Yuasa et al. .... D14/216  
D616,422 S \* 5/2010 Chen ..... D14/222  
D616,423 S \* 5/2010 Chen ..... D14/222  
D619,565 S \* 7/2010 Chen ..... D14/222

\* cited by examiner

*Primary Examiner* — Nanda Bondade

(74) *Attorney, Agent, or Firm* — Altis Law Group, Inc.

(57) **CLAIM**

The ornamental design for a speaker, as shown.

**DESCRIPTION**

FIG. 1 is a perspective view of a speaker showing my new design.

FIG. 2 is a front elevational view thereof.

FIG. 3 is a rear elevational view thereof.

FIG. 4 is a left side elevational view thereof.

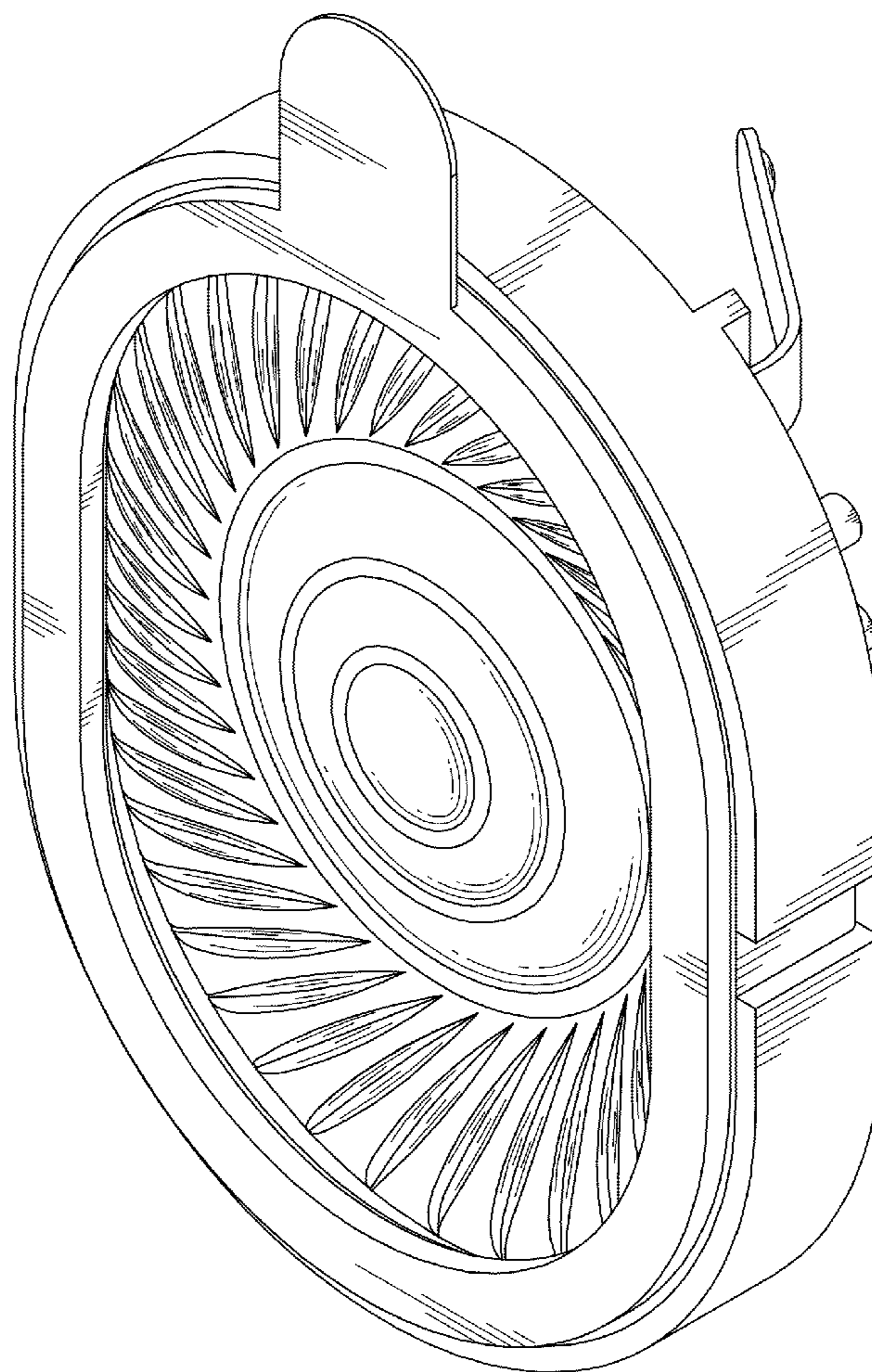
FIG. 5 is a right side elevational view thereof.

FIG. 6 is a top plan view thereof.

FIG. 7 is a bottom plan view thereof; and,

FIG. 8 is a cross-sectional view thereof, corresponding to 8-8 of FIG. 2.

**1 Claim, 8 Drawing Sheets**



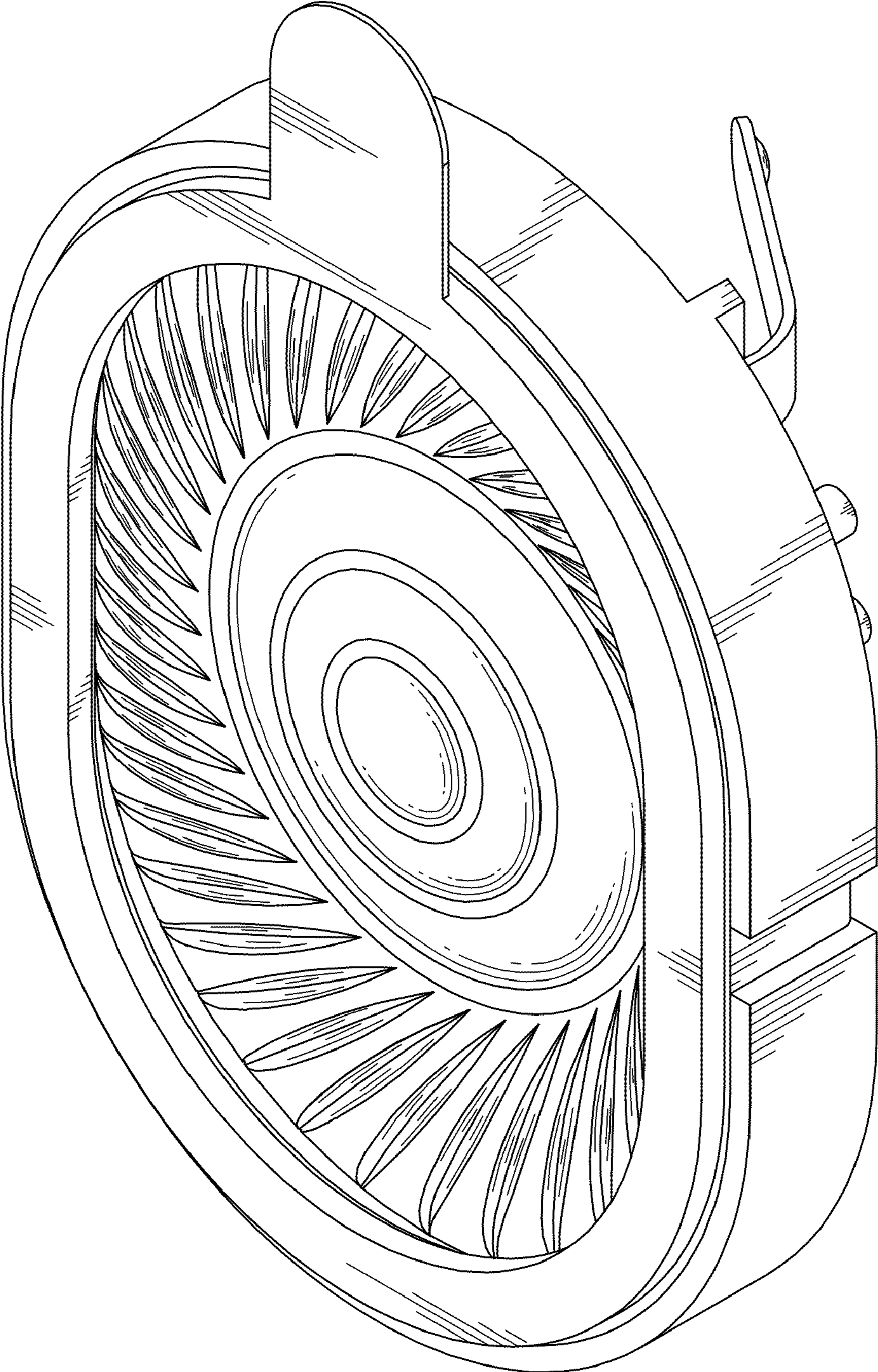


FIG. 1

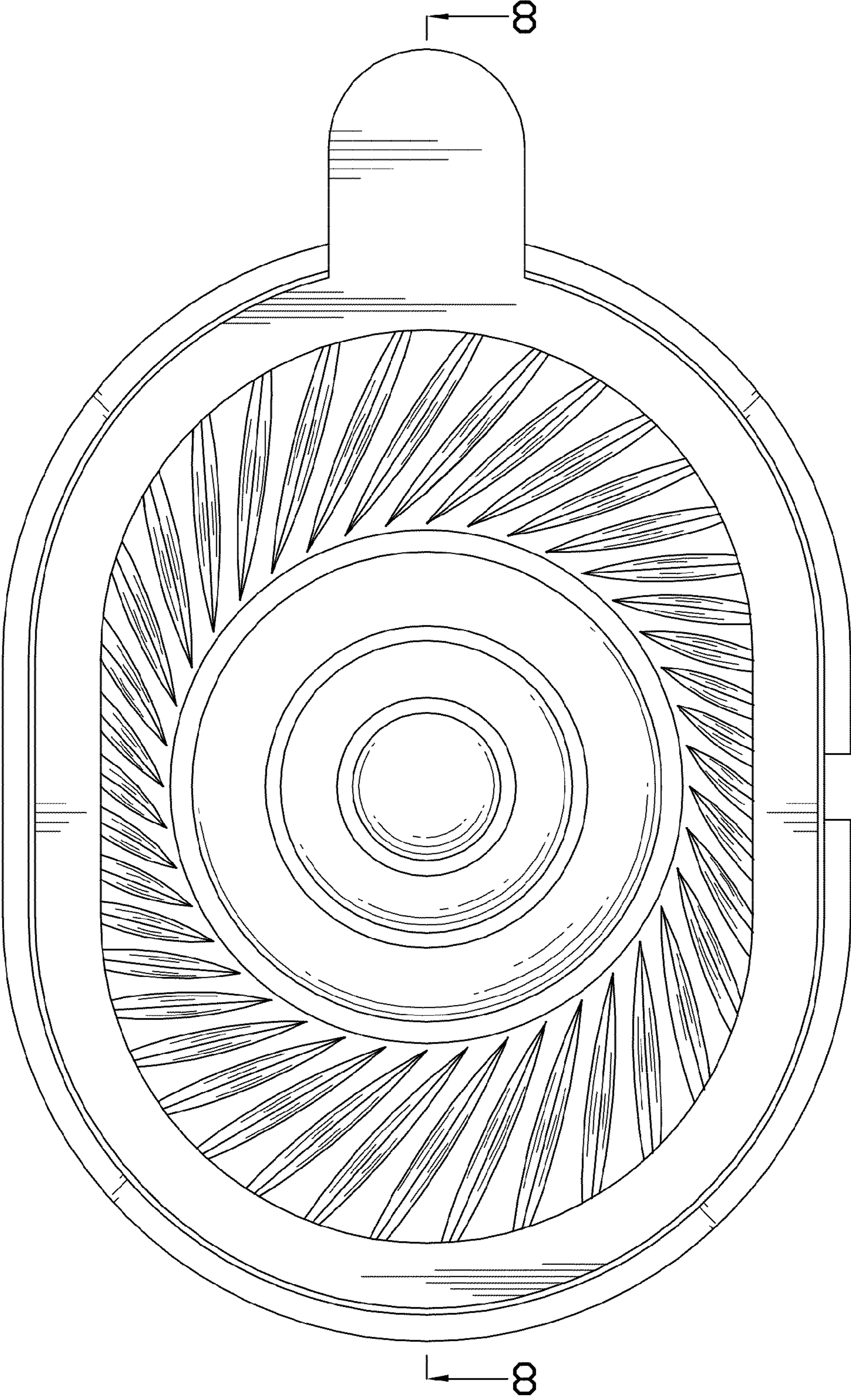


FIG. 2

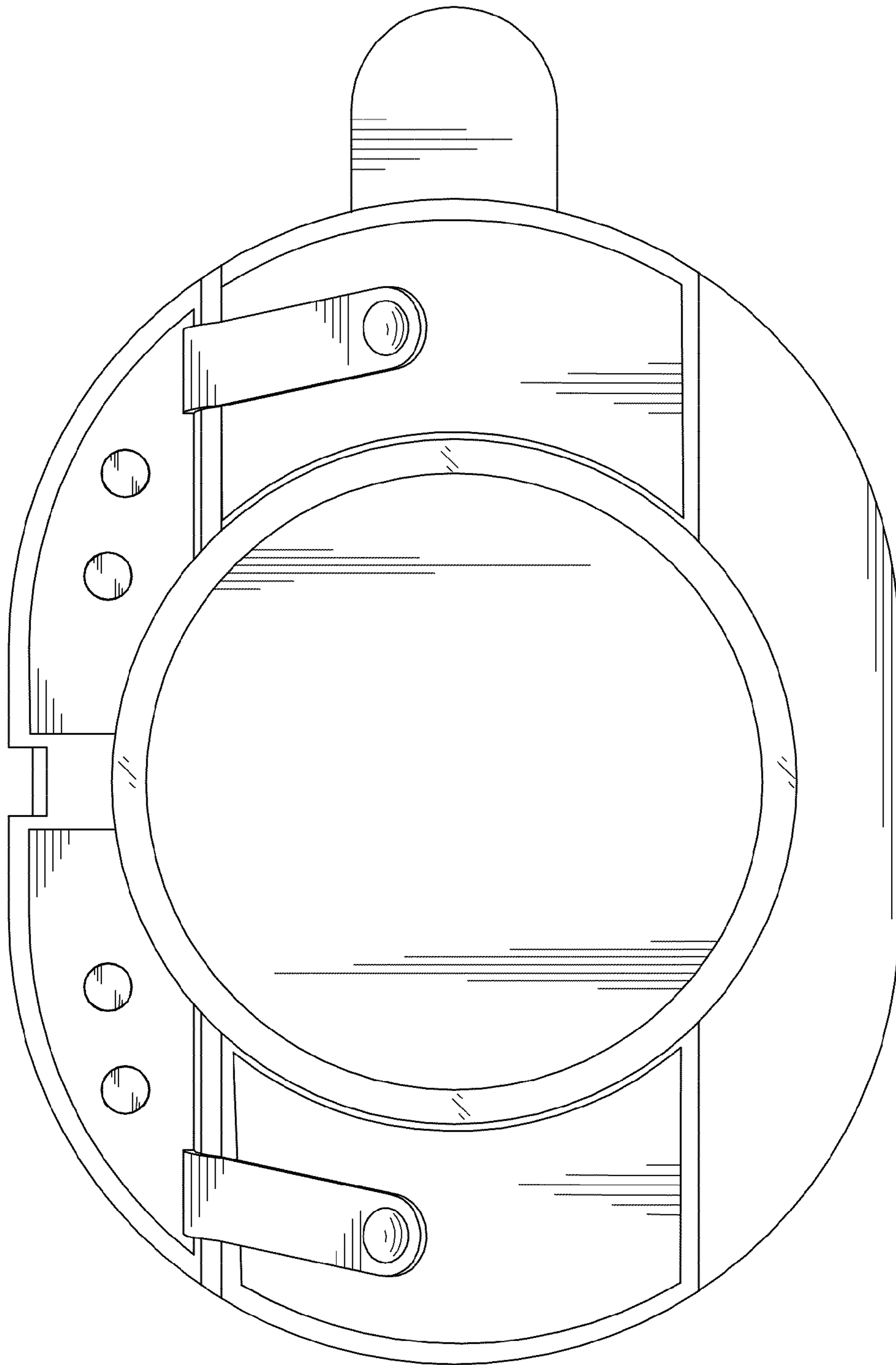


FIG. 3

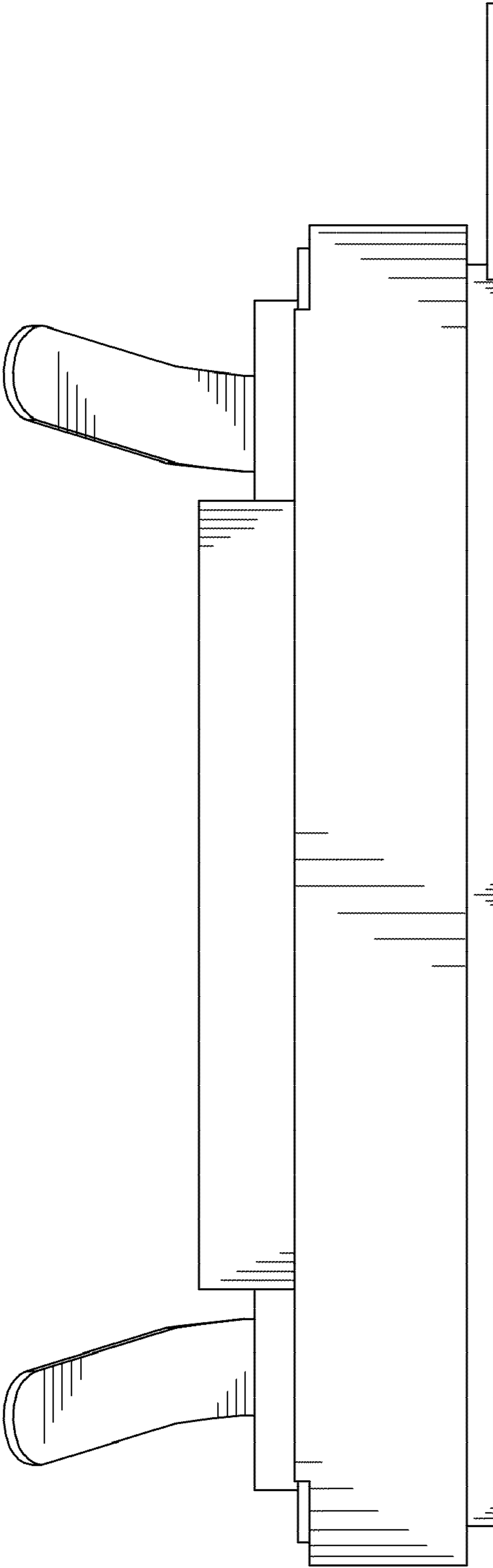


FIG. 4

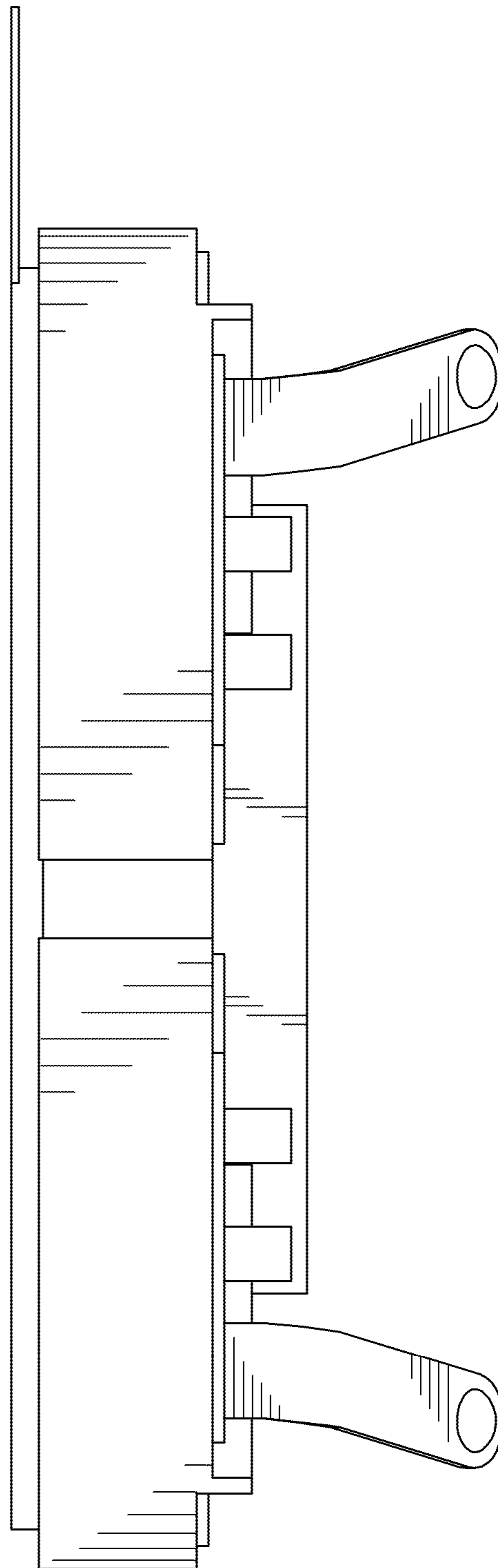


FIG. 5

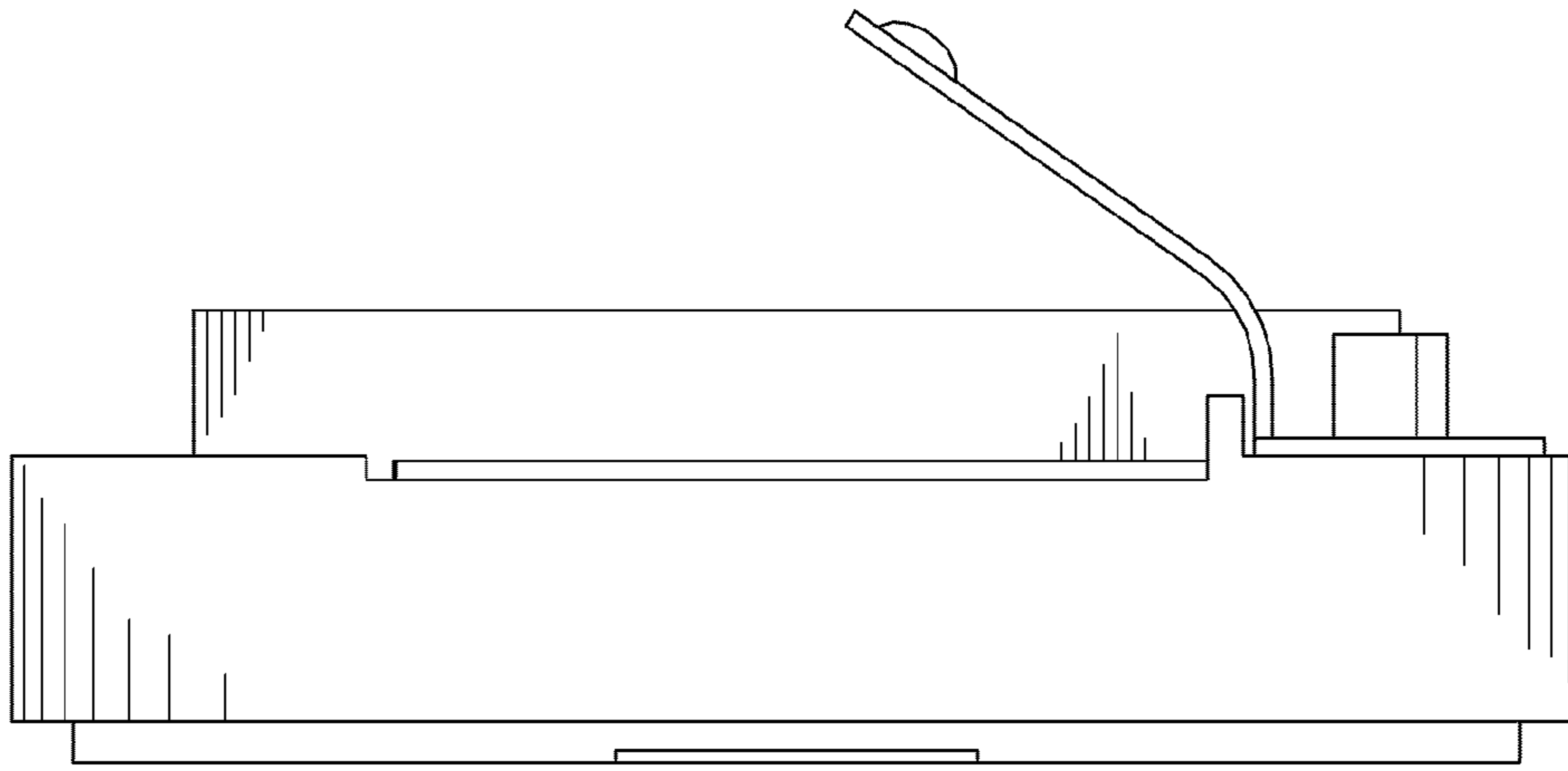


FIG. 6

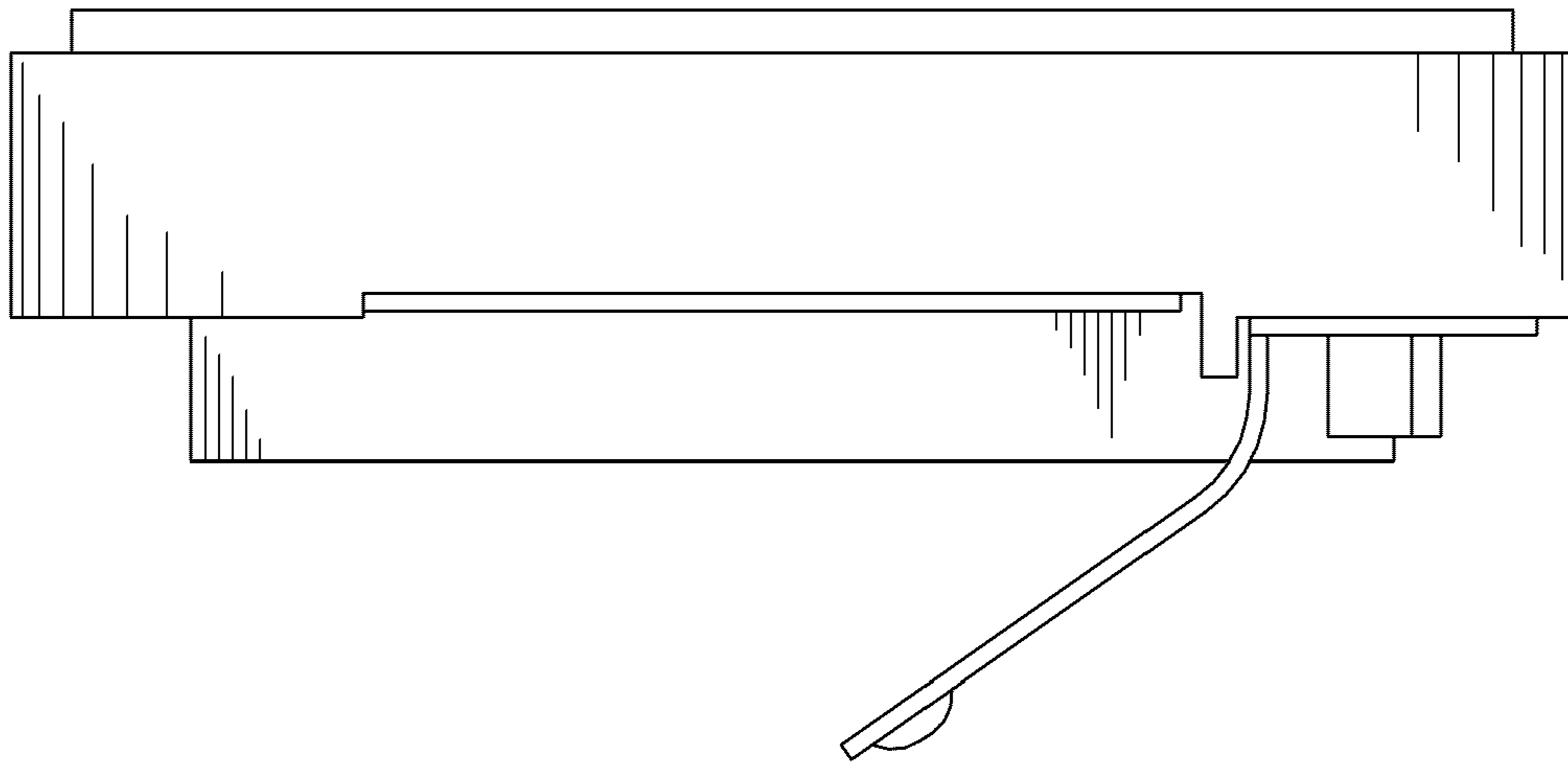


FIG. 7





FIG. 8