



US00D650767S

(12) **United States Design Patent**  
**Lu et al.**

(10) **Patent No.:** **US D650,767 S**  
(45) **Date of Patent:** **\*\* Dec. 20, 2011**

(54) **HAND-HELD IP PHONE**

(75) Inventors: **Cheng-Hsiung Lu**, Sinjhuang (TW);  
**Ching-Feng Hsieh**, Taipei (TW)

(73) Assignee: **Askey Computer Corp.** (TW)

(\*\*) Term: **14 Years**

(21) Appl. No.: **29/341,485**

(22) Filed: **Aug. 6, 2009**

(30) **Foreign Application Priority Data**

Jul. 14, 2009 (TW) ..... 98303241

(51) **LOC (9) Cl.** ..... **14-03**

(52) **U.S. Cl.** ..... **D14/148**

(58) **Field of Classification Search** ..... D14/130,  
D14/138 R, 138 AA, 140, 140.1, 140.8, 141.1,  
D14/142-145, 149-151, 158-159, 168, 188,  
D14/240, 242, 243, 167, 496, 217, 350, 329-330,  
D14/434, 466-467; 379/387.01, 388.02,  
379/420.02, 447, 453, 434; 381/16; D21/517;  
455/351

See application file for complete search history.

(56) **References Cited**

**U.S. PATENT DOCUMENTS**

3,627,930	A *	12/1971	Tolman	.....	379/370
D278,433	S *	4/1985	Perkins	.....	D14/148
D282,742	S *	2/1986	Baum	.....	D14/148
D287,124	S *	12/1986	Becker	.....	D14/148
D287,362	S *	12/1986	Rittenhouse et al.	.....	D14/148
D291,305	S *	8/1987	Harrison et al.	.....	D14/148
4,736,411	A *	4/1988	Chan	.....	379/368
D296,439	S *	6/1988	Stratton	.....	D14/147
D301,874	S *	6/1989	Roegner	.....	D14/148
D302,156	S *	7/1989	Takahashi et al.	.....	D14/148
D311,917	S *	11/1990	de Arri	.....	D14/151
D319,828	S *	9/1991	Thomke	.....	D14/150
D331,056	S *	11/1992	Yu	.....	D14/151
D334,749	S *	4/1993	Yu	.....	D14/151

(Continued)

**FOREIGN PATENT DOCUMENTS**

TW 046666 9/1982  
(Continued)

**OTHER PUBLICATIONS**

Uniden CEZ200, <URL:http://www.101phones.com/details/8161-11851/uniden-cez200.html>, retrieved from interent Jun. 12, 2011.\*

(Continued)

*Primary Examiner* — Robert M Spear

*Assistant Examiner* — Carla Wright

(74) *Attorney, Agent, or Firm* — Schmeiser, Olsen & Watts, LLP

(57) **CLAIM**

The ornamental design for a hand-held IP phone, as shown and described.

**DESCRIPTION**

FIG. 1 is a perspective view of a hand-held IP phone showing my new design;

FIG. 2 is a front elevation view thereof;

FIG. 3 is a rear elevation view thereof;

FIG. 4 is a left side elevation view thereof;

FIG. 5 is a right side elevation view thereof;

FIG. 6 is a top plan view thereof;

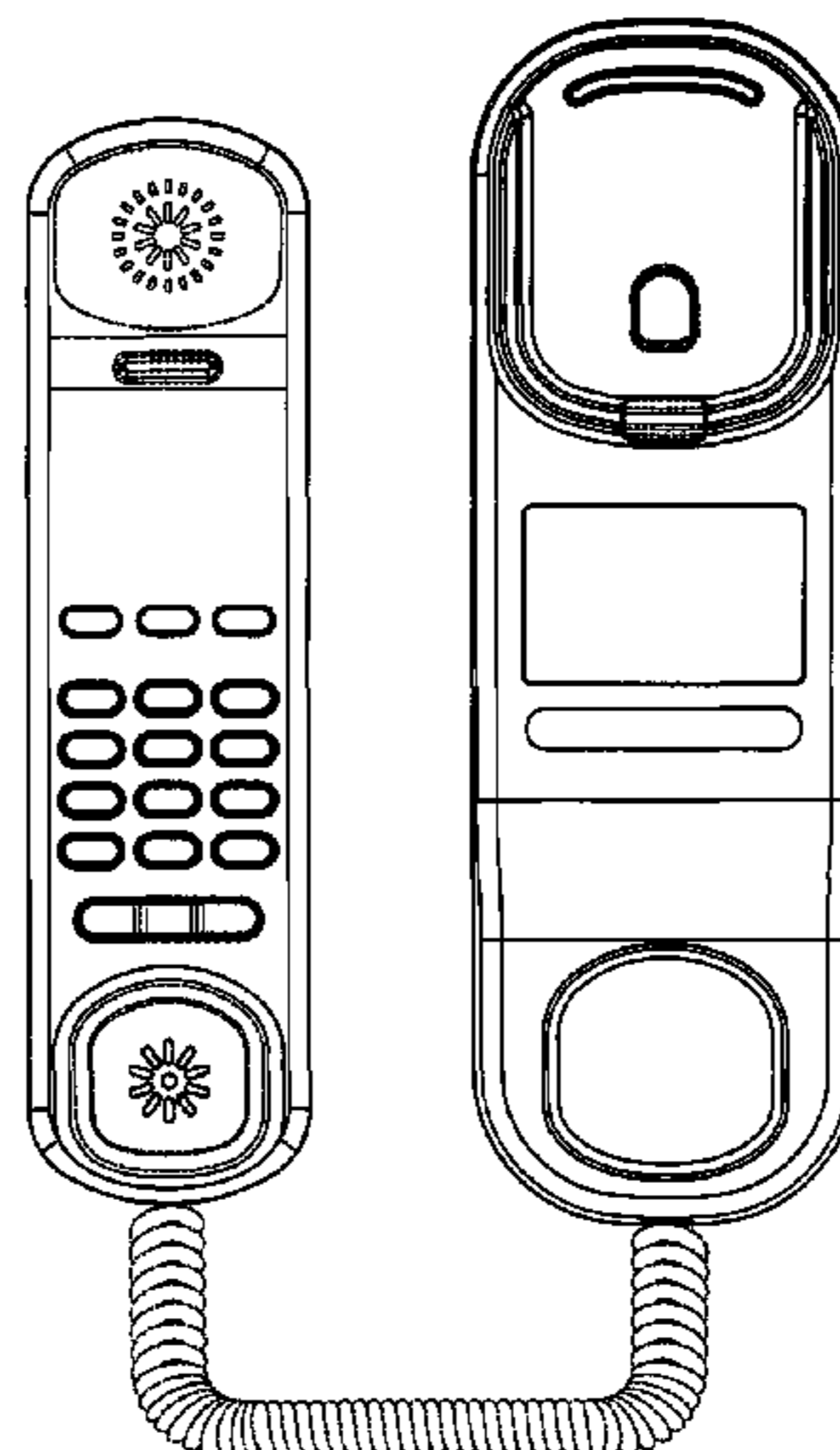
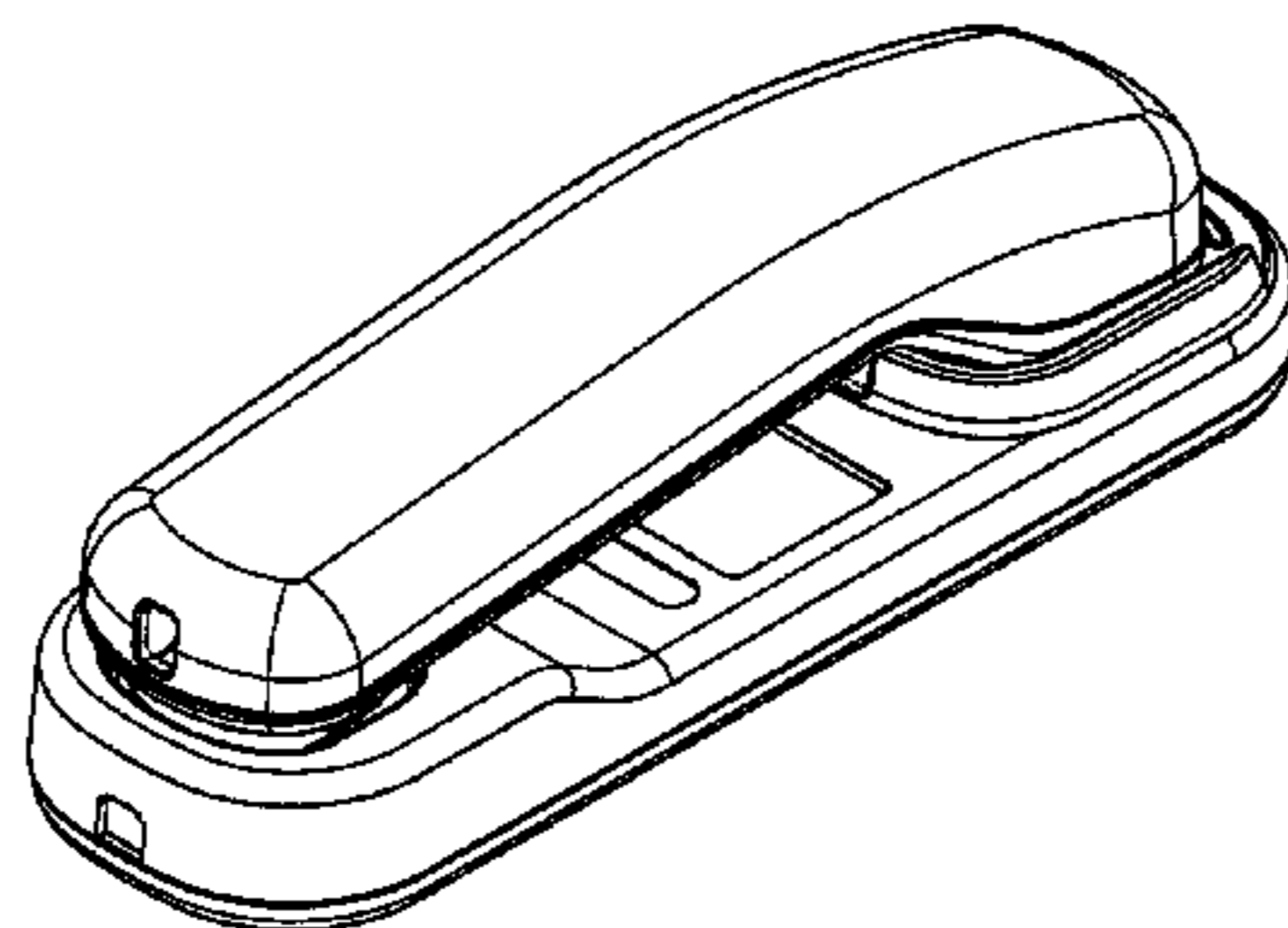
FIG. 7 is a bottom plan view thereof;

FIG. 8 is a perspective view thereof; and,

FIG. 9 is a top plan view thereof with the handset removed from the base of the phone to more clearly show the bottom of the handset.

The broken lines immediately adjacent the claimed surfaces represent boundaries of the claimed design. All other broken lines depict unclaimed portions of the hand-held IP phone. The broken lines and unshaded regions within the broken lines form no part of the claimed design.

**1 Claim, 8 Drawing Sheets**



# US D650,767 S

Page 2

---

## U.S. PATENT DOCUMENTS

D339,131 S \* 9/1993 Desbarats ..... D14/147  
D357,251 S 4/1995 Watanabe et al.  
D361,330 S \* 8/1995 Solomita et al. .... D14/149  
D372,919 S \* 8/1996 Nagele et al. .... D14/248  
D377,935 S \* 2/1997 Fink ..... D14/150  
D392,637 S \* 3/1998 Rosati et al. .... D14/148  
D403,678 S 1/1999 Hawley et al.  
D426,820 S \* 6/2000 Zeitman ..... D14/148  
D437,589 S \* 2/2001 Zeitman ..... D14/148  
D494,230 S \* 8/2004 Allen ..... D21/517  
D495,313 S 8/2004 Guerrero et al.

## FOREIGN PATENT DOCUMENTS

TW 106678 12/1988

## OTHER PUBLICATIONS

Concise Explanation of Relevance for non-English Language Information; Translation of Search Report from TIPO, 1 page.

\* cited by examiner

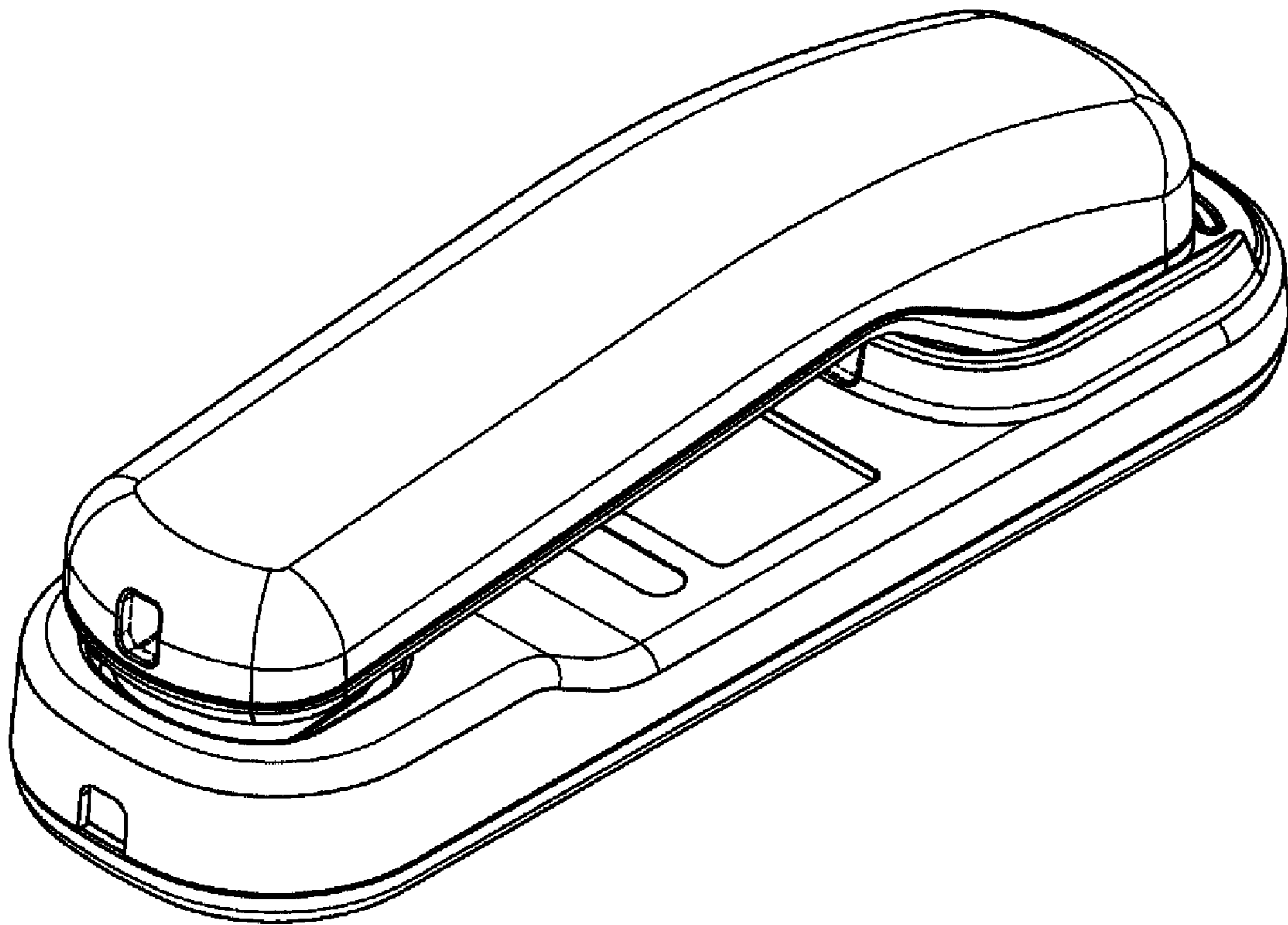


FIG. 1

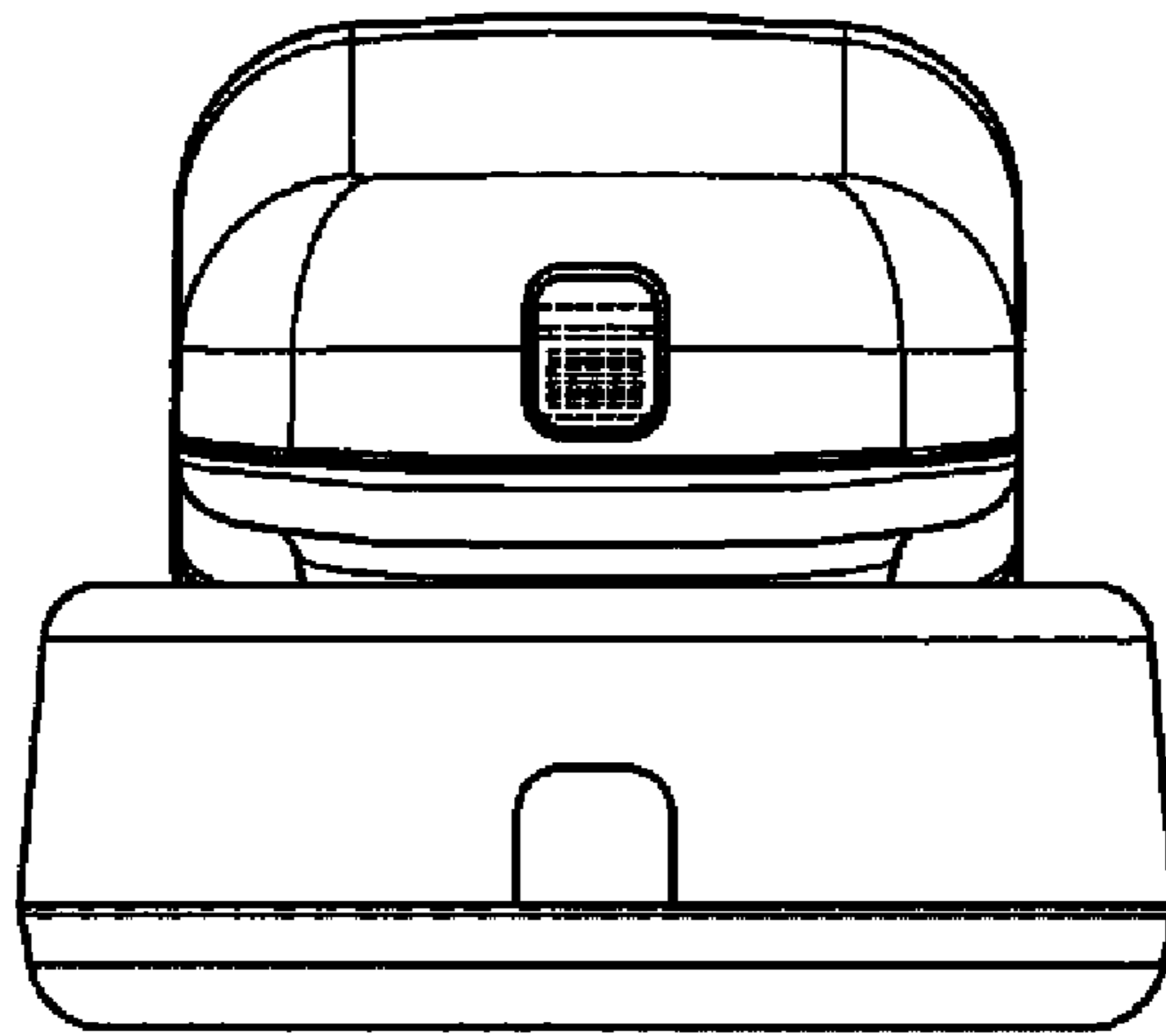


FIG. 2

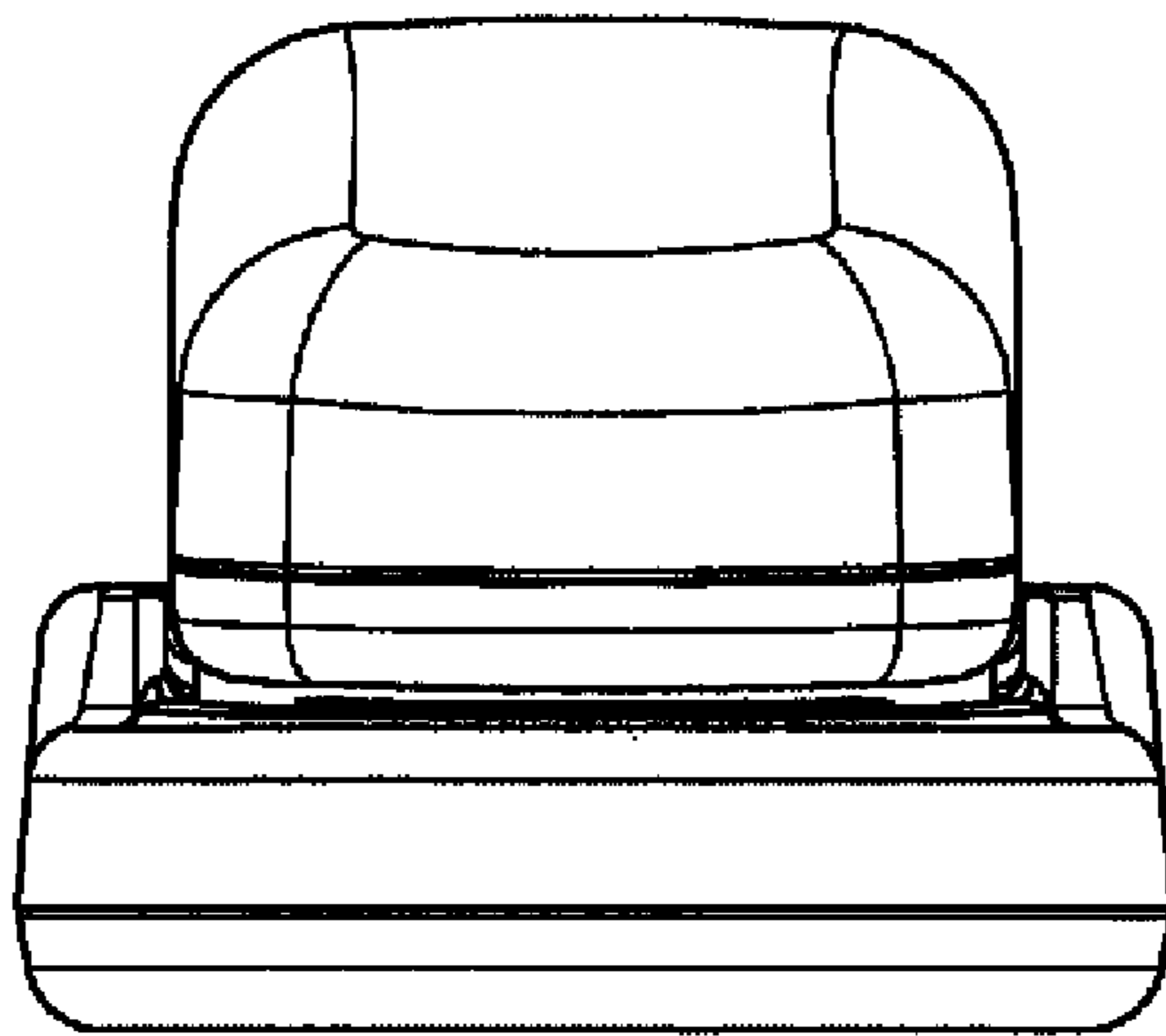


FIG. 3

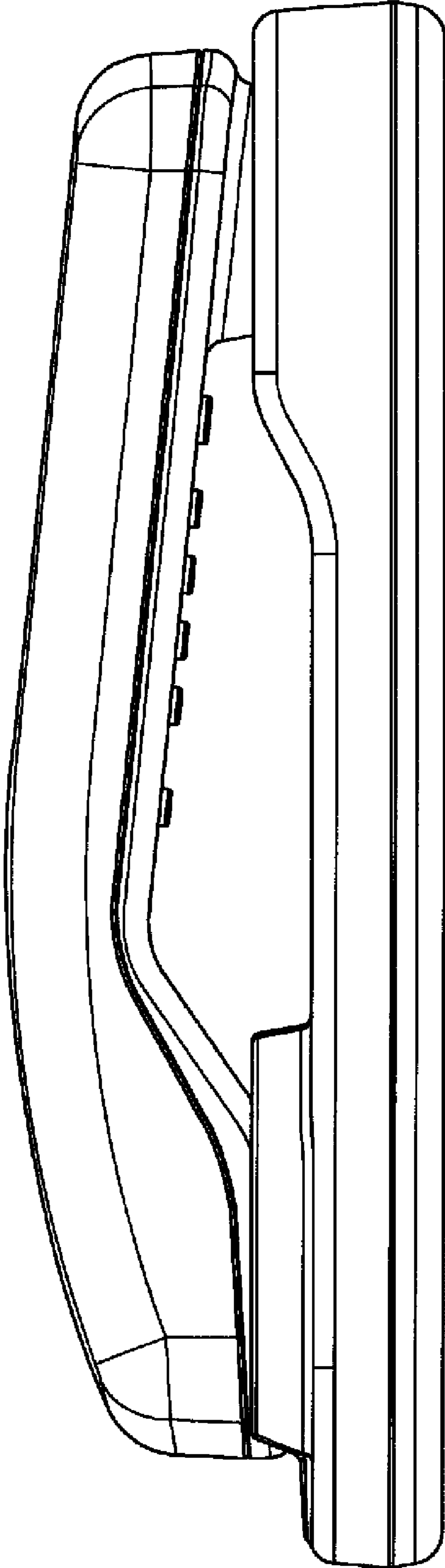


FIG. 4

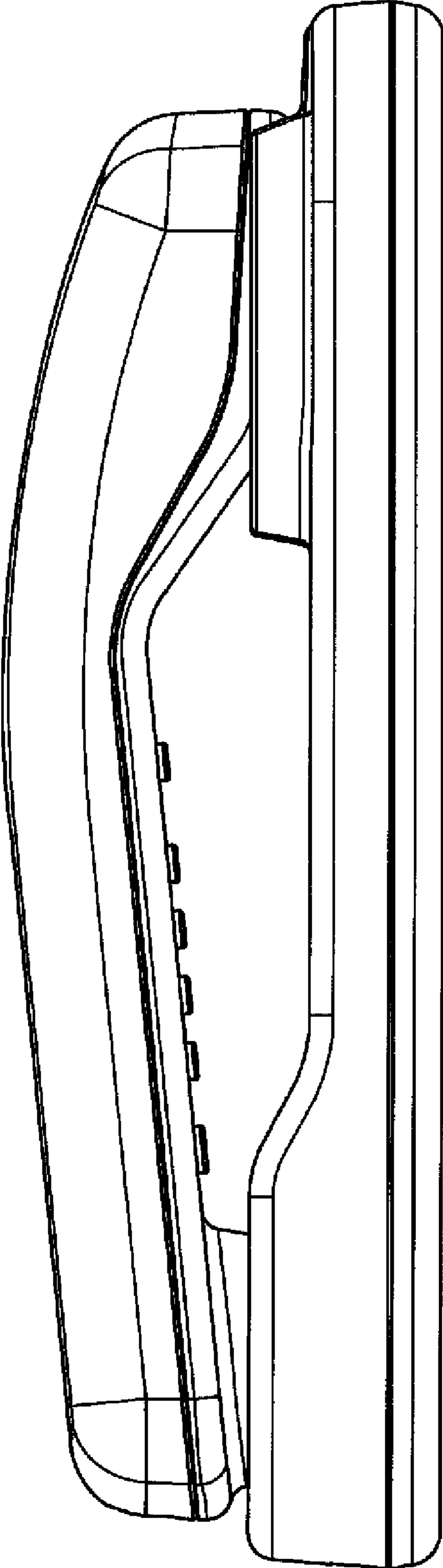


FIG. 5

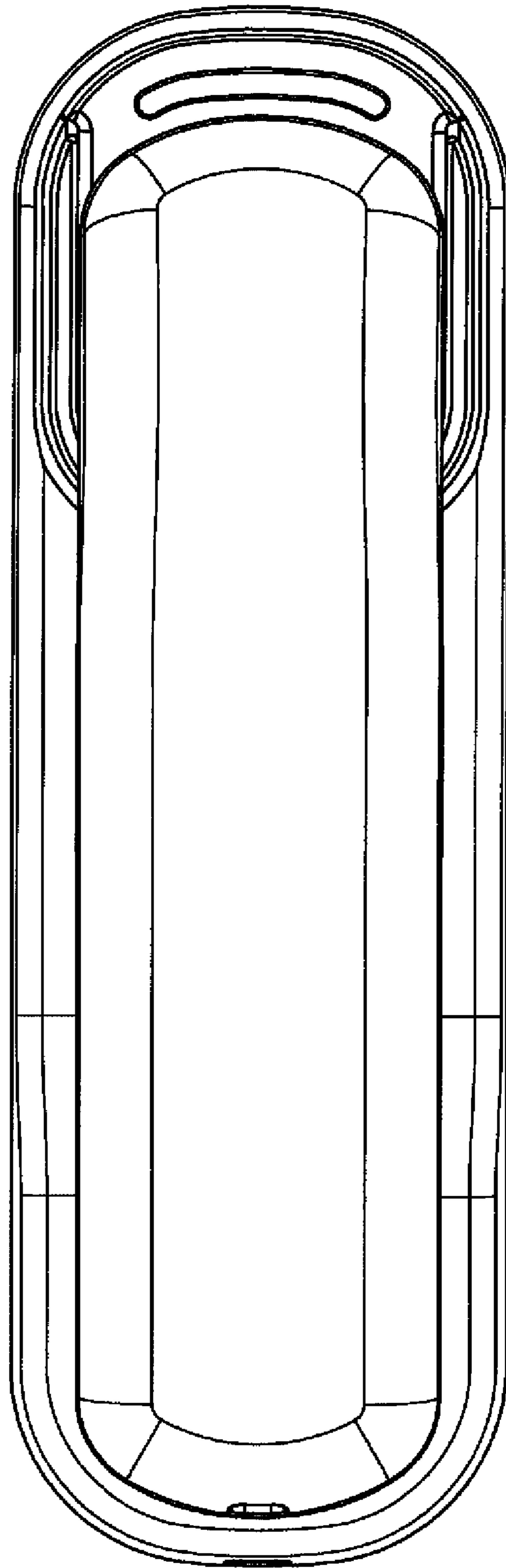


FIG. 6

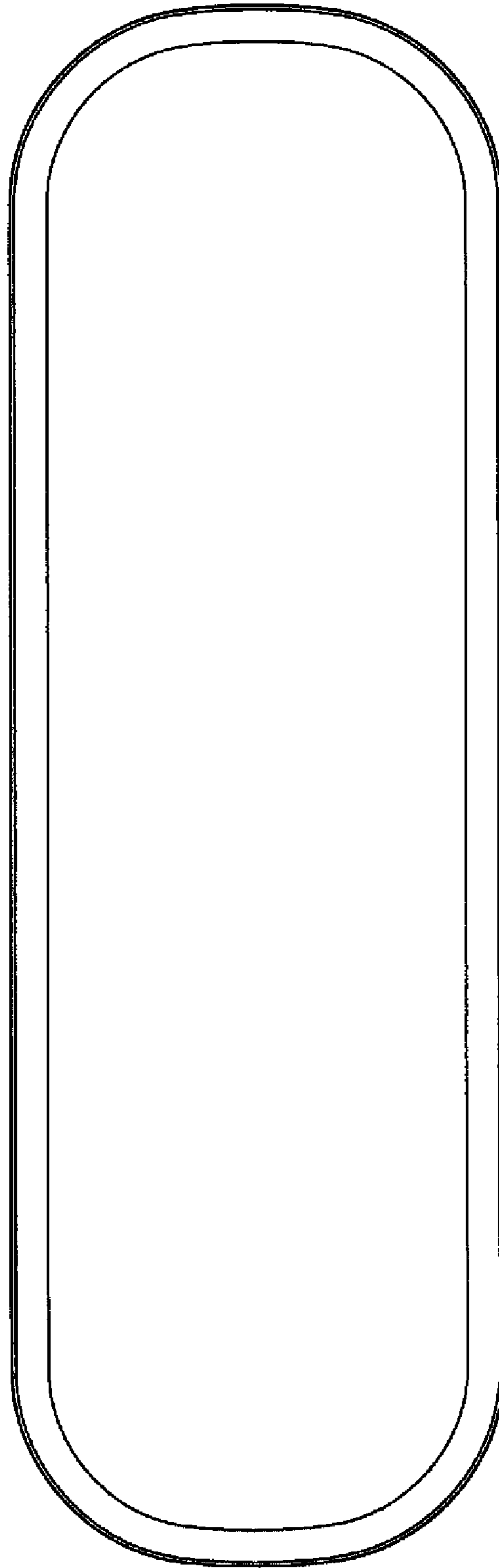


FIG. 7



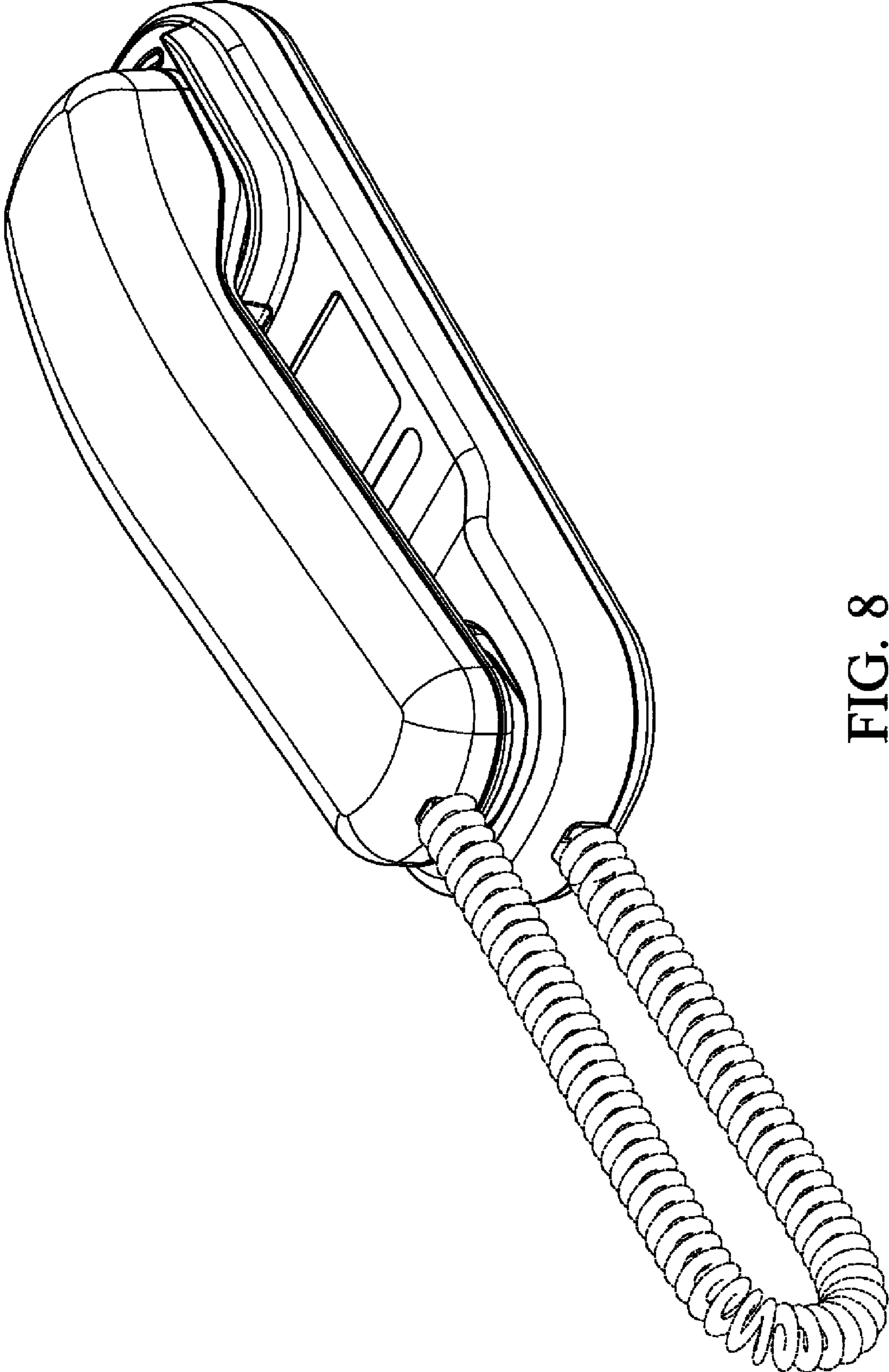


FIG. 8

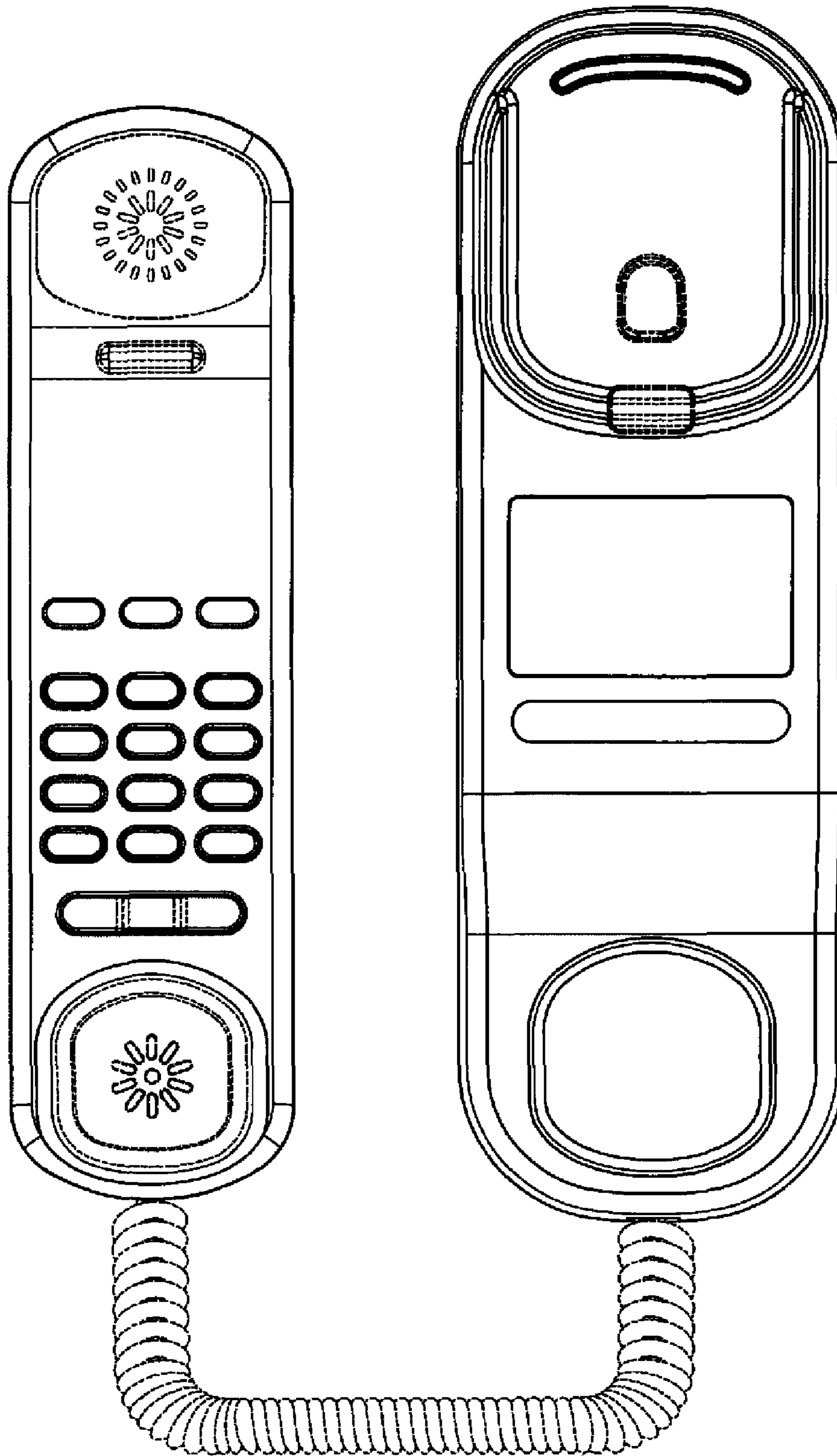


FIG. 9