



US00D650765S

(12) **United States Design Patent**
Ho

(10) **Patent No.:** **US D650,765 S**

(45) **Date of Patent:** **** Dec. 20, 2011**

(54) **DISPLAY**

(75) Inventor: **Chi Feng Ho**, Taipei County (TW)

(73) Assignee: **Amtran Technology Co., Ltd**, Taipei County (TW)

(**) Term: **14 Years**

(21) Appl. No.: **29/381,627**

(22) Filed: **Dec. 21, 2010**

(51) **LOC (9) Cl.** **14-03**

(52) **U.S. Cl.** **D14/126**

(58) **Field of Classification Search** D14/125-134,
D14/239, 371, 136, 374-377, 440, 450, 448,
D14/336, 342; 312/7.2; 348/836, 838, 180,
348/184, 325, 739; 341/12; 248/917-924,
248/465; 345/104, 133, 156, 168, 87, 173;
720/605, 669, 600, 655; 369/99, 197; 455/344,
455/347; D21/329, 515, 577, 622, 333, 433,
D21/448, 452, 450, 331; D6/477, 479, 300;
273/148 B; 446/484, 175, 356; D10/15,
D10/26

See application file for complete search history.

(56) **References Cited**

U.S. PATENT DOCUMENTS

D573,958 S *	7/2008	Shih	D14/126
D615,513 S *	5/2010	Yamaguchi et al.	D14/126
D620,905 S *	8/2010	Honda	D14/126
D638,390 S *	5/2011	Honda	D14/126

* cited by examiner

Primary Examiner — Raphael Barkai

(74) *Attorney, Agent, or Firm* — Morris Manning & Martin LLP; Tim Tingkang Xia, Esq.

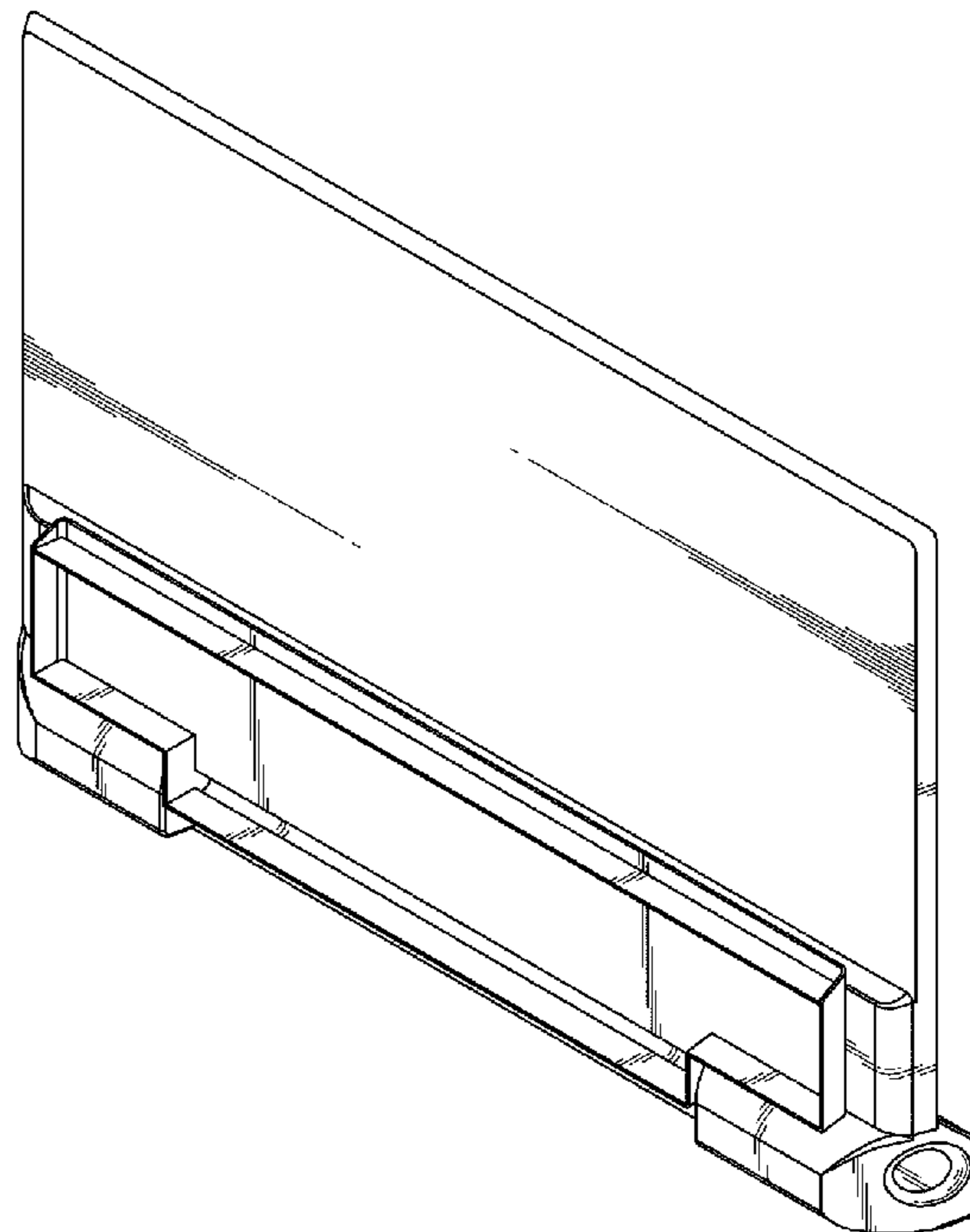
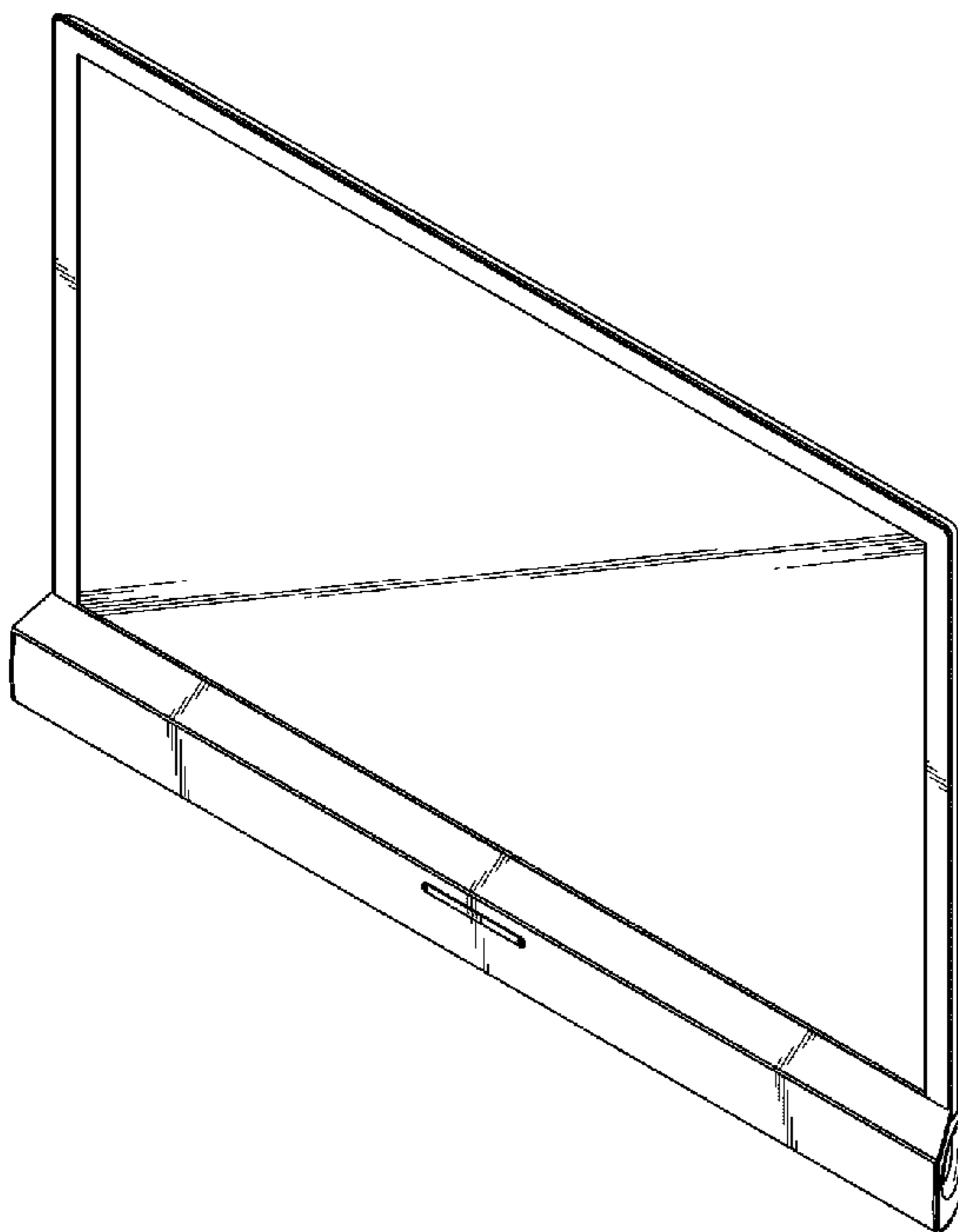
(57) **CLAIM**

The ornamental design for a “display,” as shown and described.

DESCRIPTION

FIG. 1 is a perspective view of display showing our new design;
FIG. 2 is a front view thereof;
FIG. 3 is a rear view thereof;
FIG. 4 is a left side elevational view thereof;
FIG. 5 is a right side elevational view thereof;
FIG. 6 is a top view thereof;
FIG. 7 is a bottom view thereof; and,
FIG. 8 is another perspective view of display showing our new design.

1 Claim, 6 Drawing Sheets



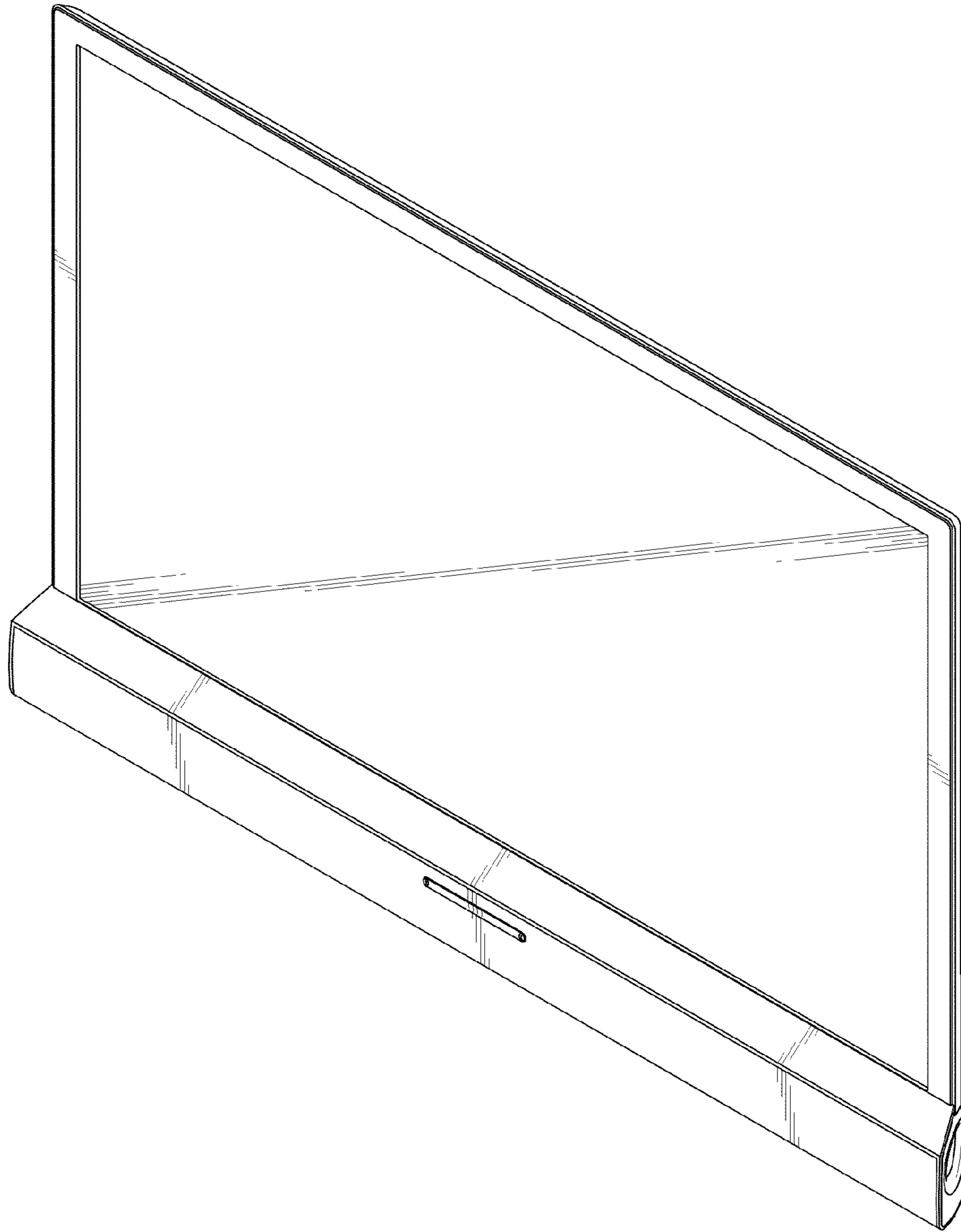


FIG. 1

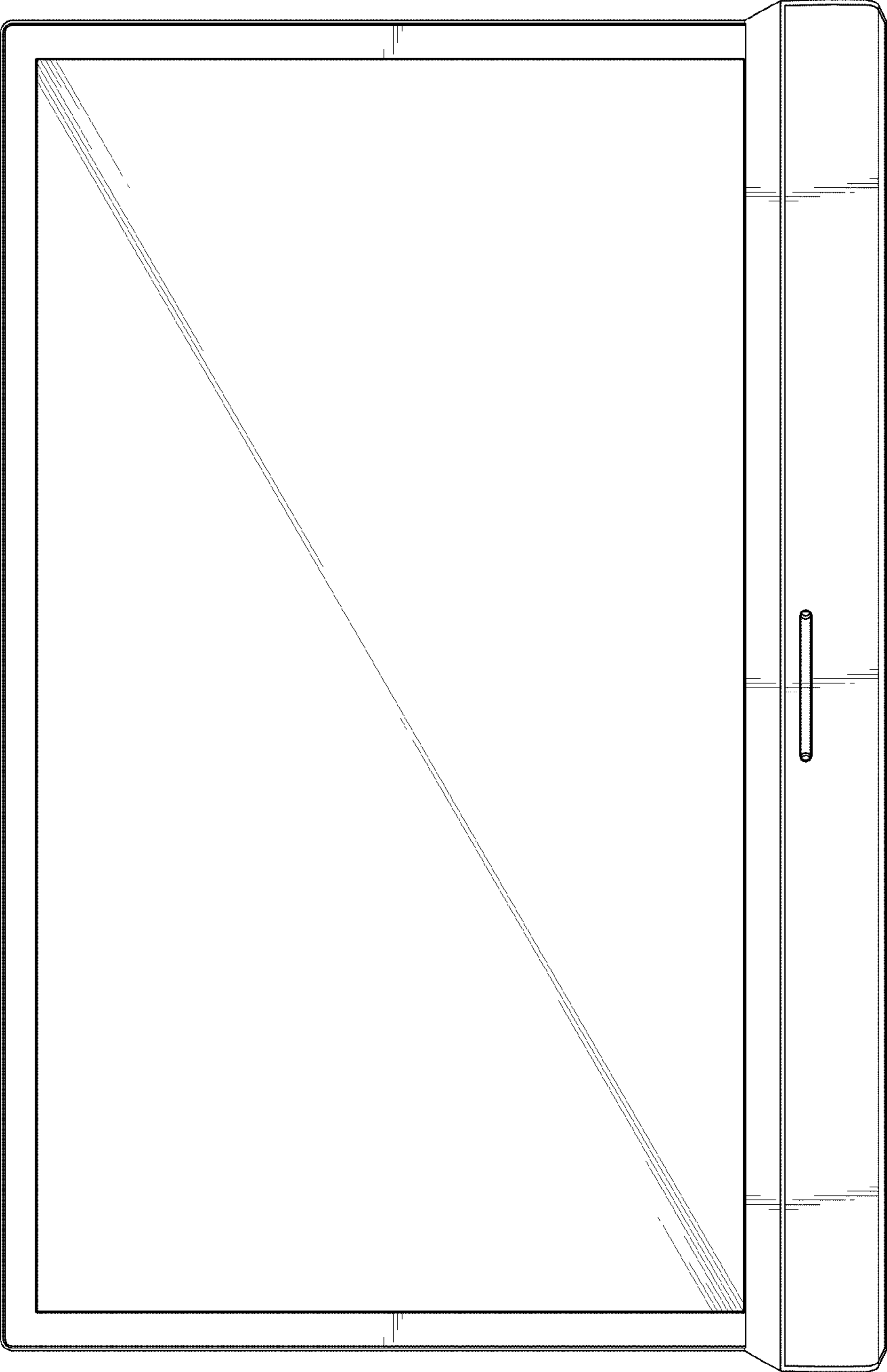


FIG.2



FIG.3

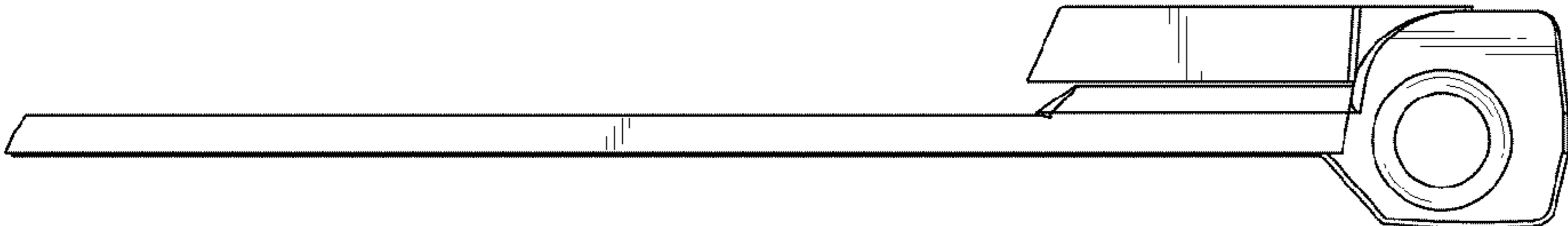


FIG. 5

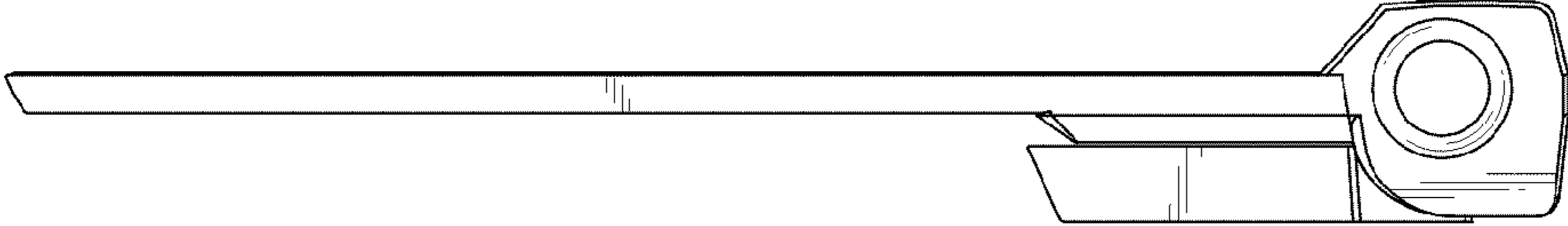


FIG. 4

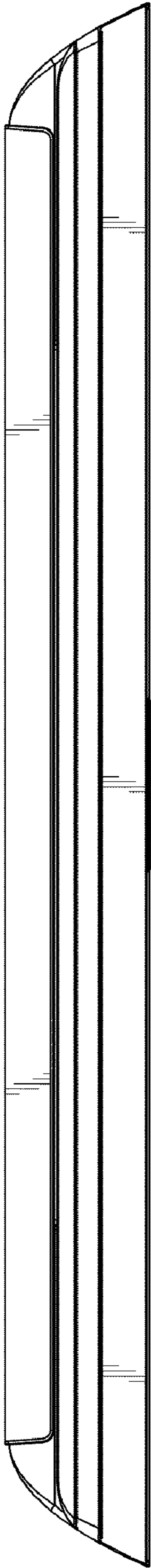


FIG. 6

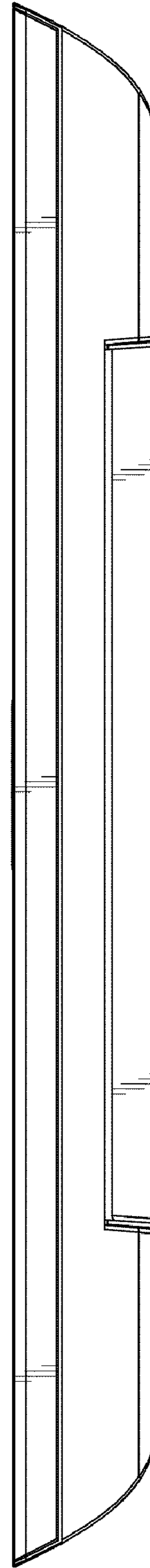


FIG. 7

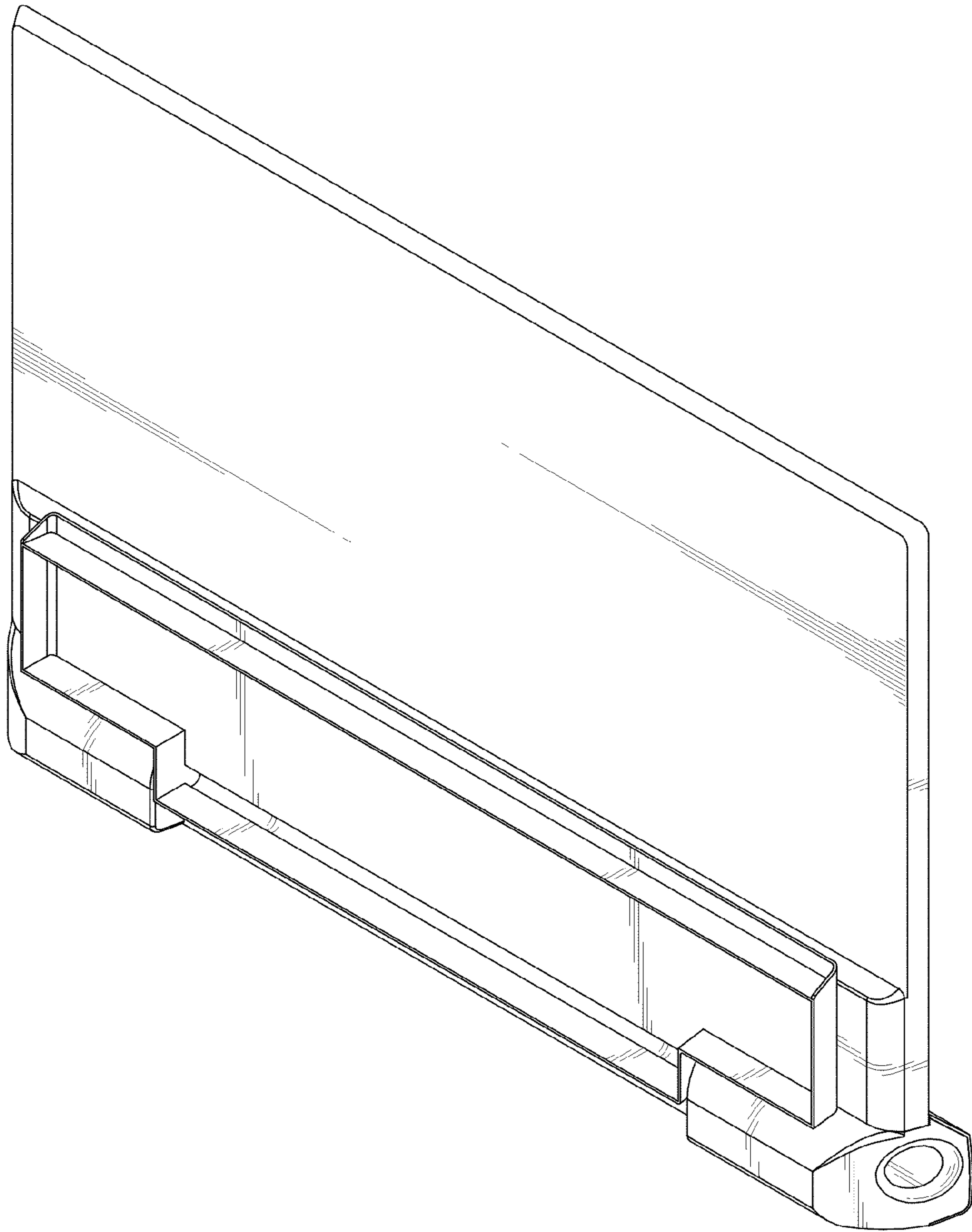


FIG.8