



US00D650764S

(12) **United States Design Patent**
Chiu

(10) **Patent No.:** **US D650,764 S**

(45) **Date of Patent:** **** Dec. 20, 2011**

(54) **DISPLAY**

(75) Inventor: **Yi-Chung Chiu**, Taoyuan County (TW)

(73) Assignee: **Hannspre, Inc.**, Taipei County (TW)

(**) Term: **14 Years**

(21) Appl. No.: **29/362,624**

(22) Filed: **May 27, 2010**

(51) **LOC (9) Cl.** **14-03**

(52) **U.S. Cl.** **D14/126**

(58) **Field of Classification Search** D14/125-134,
D14/239, 371, 136, 374-377, 440, 450, 448,
D14/336, 342; 312/7.2; 348/836, 838, 180,
348/184, 325, 739; 341/12; 248/917-924,
248/465; 345/104, 133, 156, 168, 87, 173;
720/605, 669, 600, 655; 369/99, 197; D21/329,
D21/515, 577, 622, 333, 433, 448, 452, 450,
D21/331; D6/477, 479, 300; 273/148 B;
446/484, 175, 356; D10/15, 26

See application file for complete search history.

(56) **References Cited**

U.S. PATENT DOCUMENTS

D531,595 S * 11/2006 Nakata D14/126
D531,597 S * 11/2006 Nakata D14/126

D533,153 S * 12/2006 Nakata D14/126
D543,521 S * 5/2007 Chiu D14/126
D545,281 S * 6/2007 Rashid D14/126
D568,268 S * 5/2008 Lee D14/126
D573,959 S * 7/2008 Lin D14/126
D594,430 S * 6/2009 Chu D14/126

* cited by examiner

Primary Examiner — Raphael Barkai

(74) *Attorney, Agent, or Firm* — Morris Manning & Martin
LLP; Tim Tingkang Xia, Esq.

(57) **CLAIM**

The ornamental design for a “display,” as shown and
described.

DESCRIPTION

FIG. 1. is a perspective view of a “display” of the present
invention;

FIG. 2. is a front elevational view thereof;

FIG. 3. is a rear elevational view thereof;

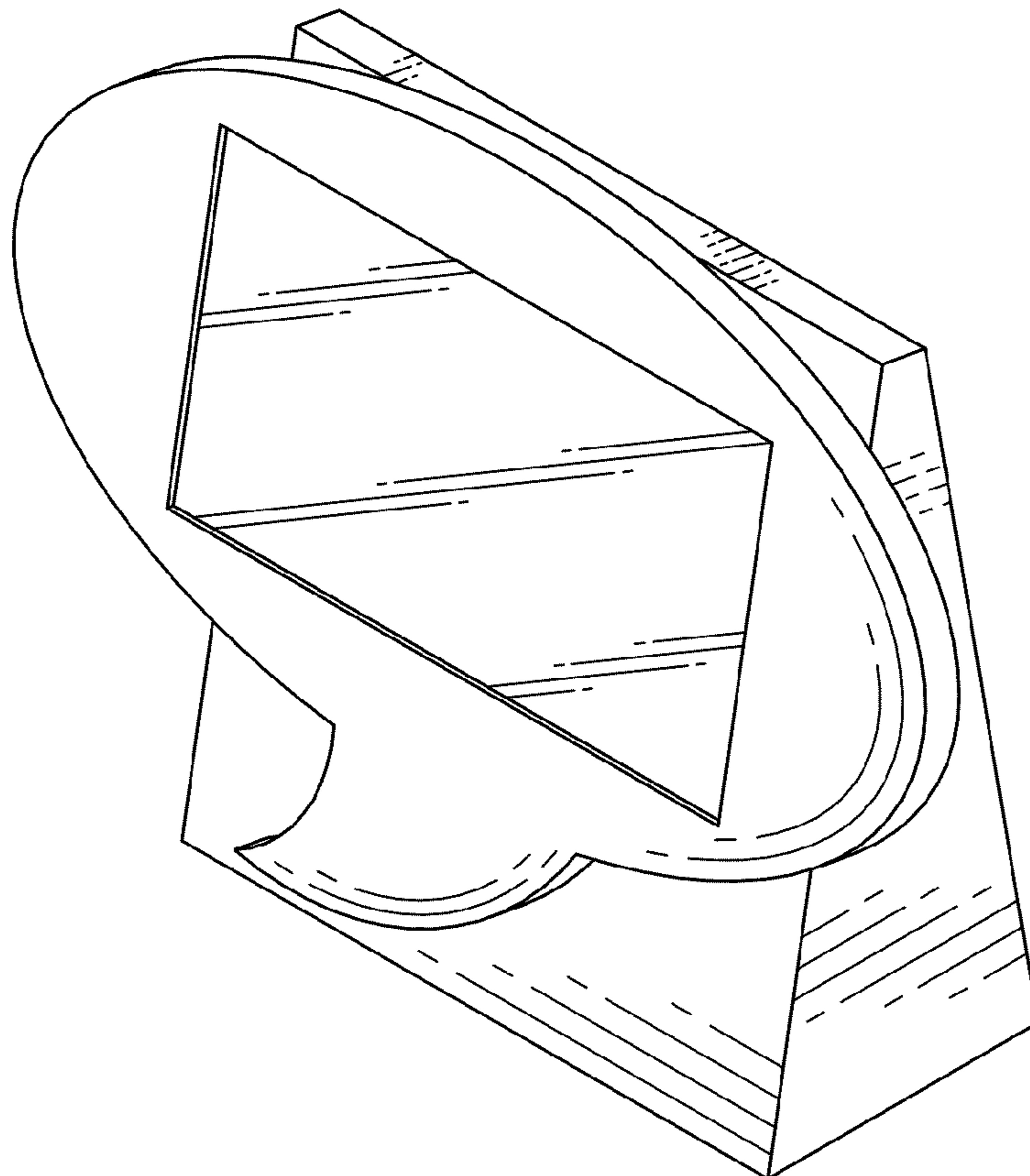
FIG. 4. is a left side elevational view thereof;

FIG. 5. is a right side elevational view thereof;

FIG. 6. is a top plan view thereof; and,

FIG. 7. is a bottom plan view thereof.

1 Claim, 7 Drawing Sheets



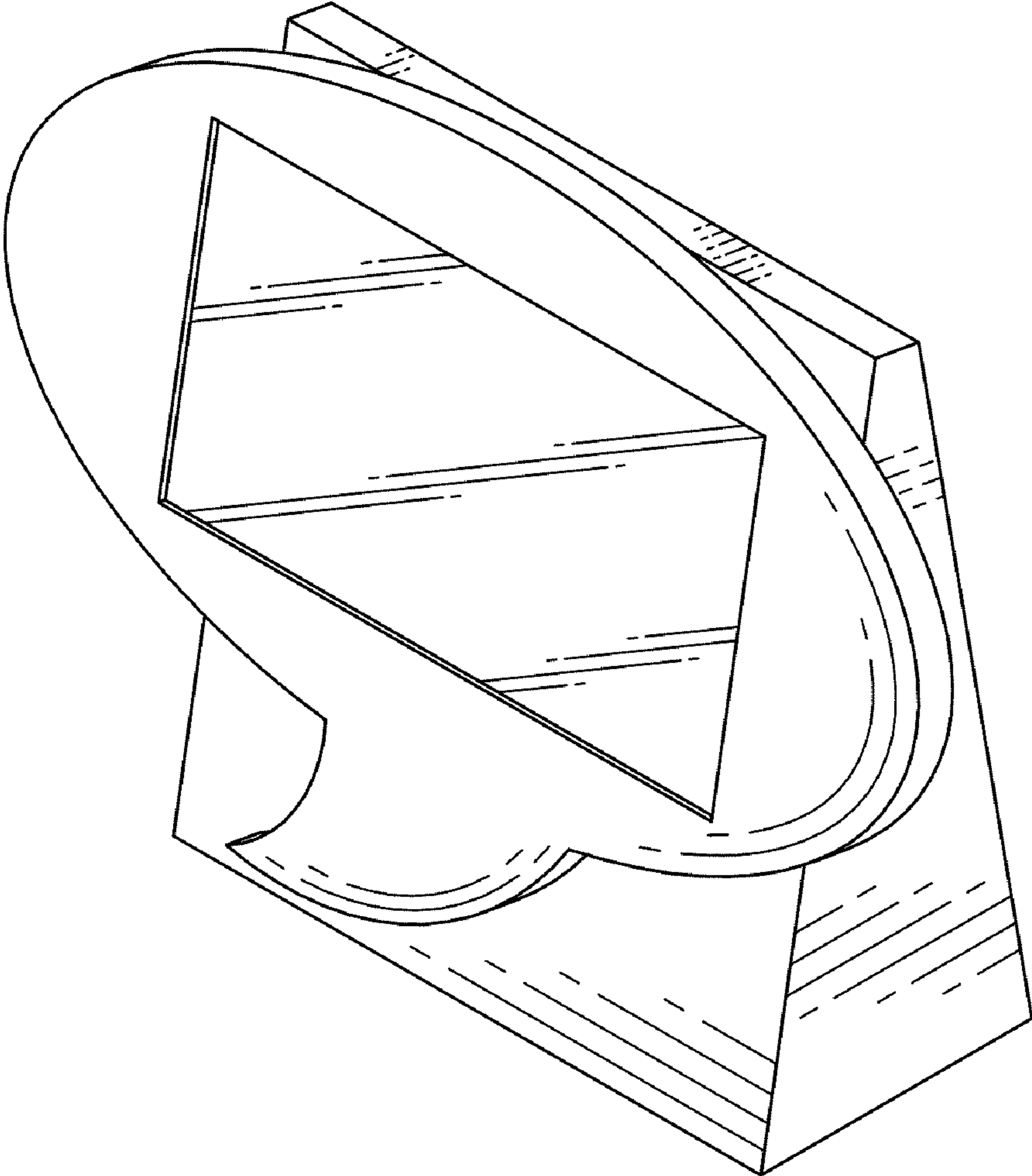


FIG. 1

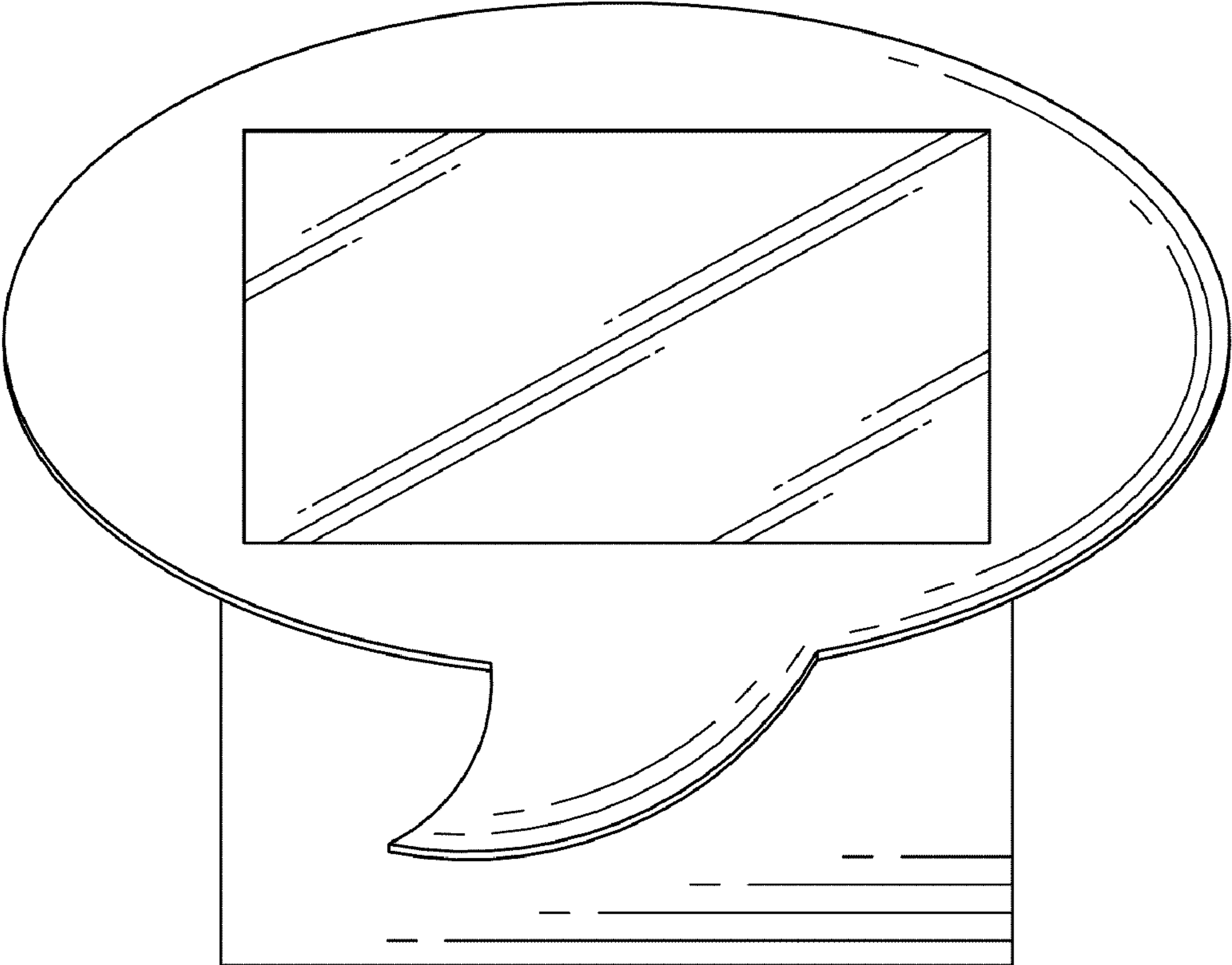


FIG. 2

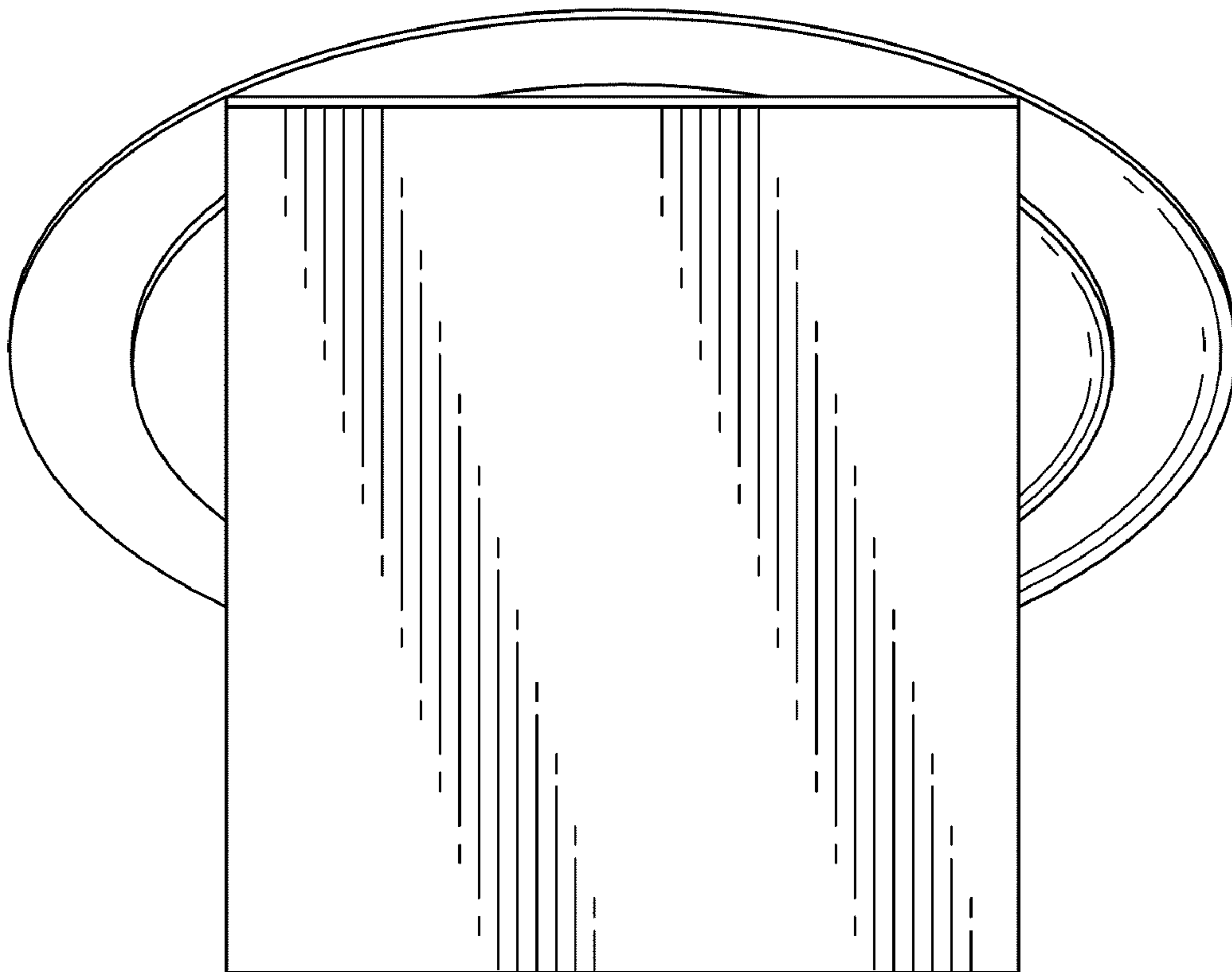


FIG. 3

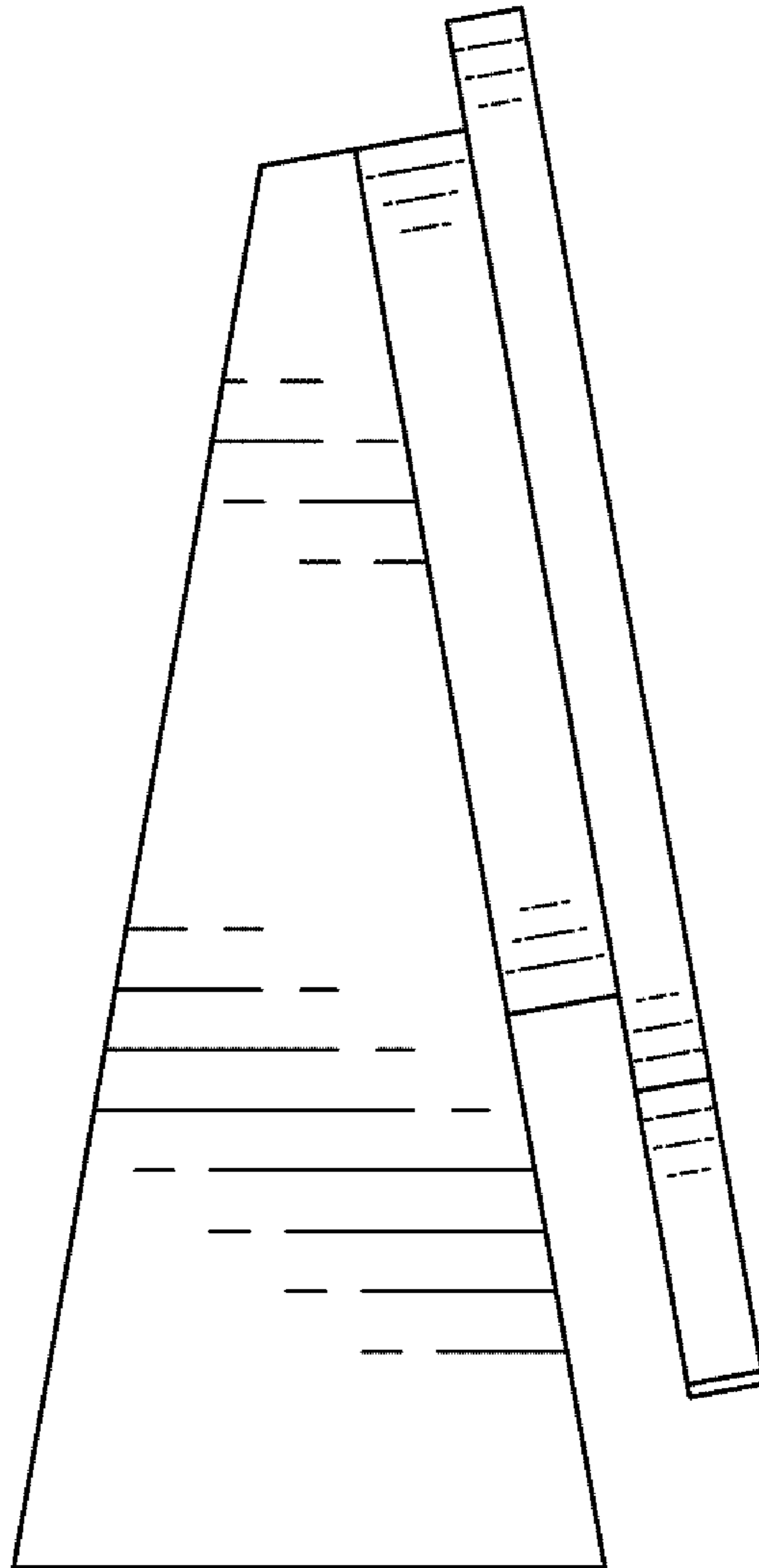


FIG. 4

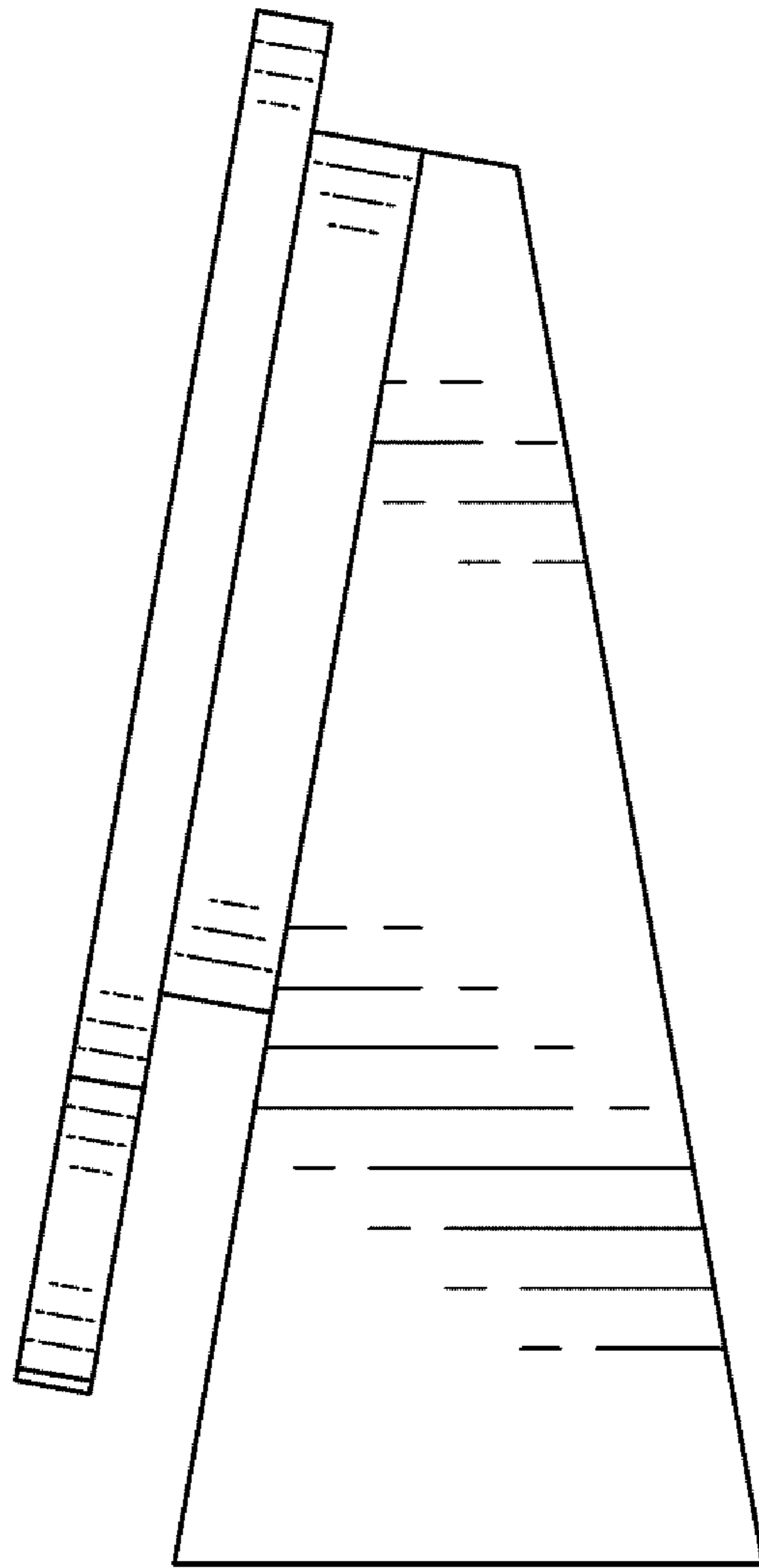


FIG. 5

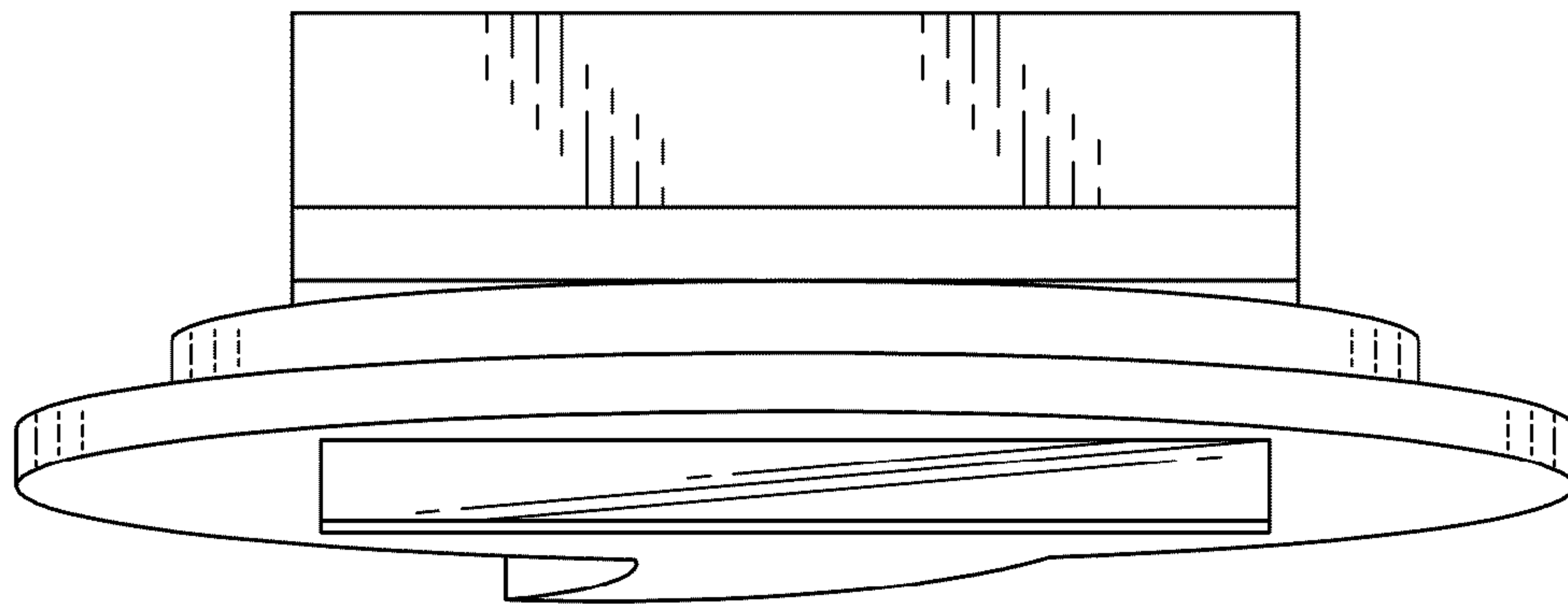


FIG.6

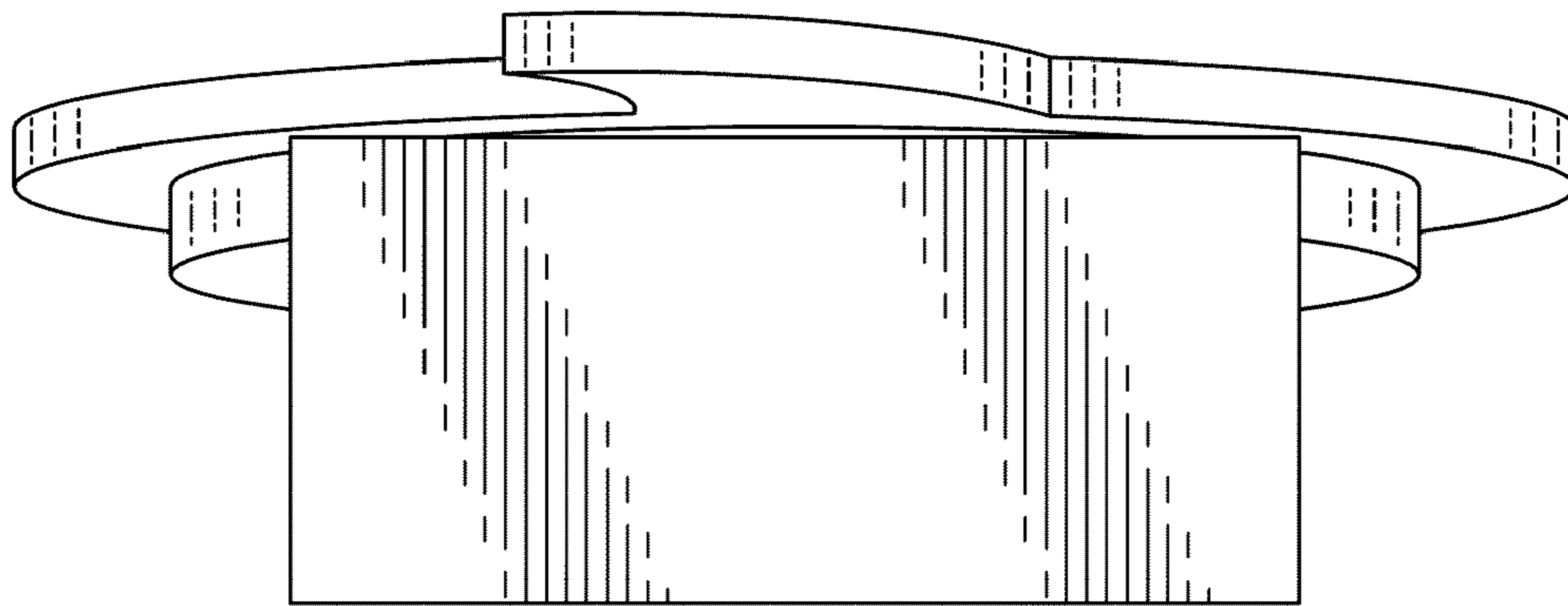


FIG. 7