



US00D650760S

(12) **United States Design Patent**  
**Hussell et al.**

(10) **Patent No.:** **US D650,760 S**  
(45) **Date of Patent:** **\*\* Dec. 20, 2011**

(54) **LIGHT EMITTING DEVICE PACKAGE**

(75) Inventors: **Christopher P. Hussell**, Cary, NC (US);  
**Peter Scott Andrews**, Durham, NC  
(US); **Jesse Colin Reiherzer**, Wake  
Forest, NC (US); **David T. Emerson**,  
Chapel Hill, NC (US)

(73) Assignee: **Cree, Inc.**, Durham, NC (US)

(\*\*) Term: **14 Years**

(21) Appl. No.: **29/379,636**

(22) Filed: **Nov. 22, 2010**

(51) **LOC (9) Cl.** ..... **13-03**

(52) **U.S. Cl.** ..... **D13/180**

(58) **Field of Classification Search** ..... D13/180;  
D26/1, 2; 257/79, 80, 81, 88, 89, 95, 98,  
257/99, 100, E33.058; 313/483, 498, 500;  
362/555, 800

See application file for complete search history.

(56) **References Cited**

**U.S. PATENT DOCUMENTS**

D573,553	S *	7/2008	Uemoto et al. ....	D13/180
D576,576	S *	9/2008	Shida et al. ....	D13/180
7,482,636	B2 *	1/2009	Murayama et al. ....	257/98
D589,470	S *	3/2009	Chen .....	D13/180
D593,043	S *	5/2009	Song .....	D13/180
D602,451	S *	10/2009	Gielen .....	D13/180
D603,813	S *	11/2009	Nishimura et al. ....	D13/180
7,649,209	B2	1/2010	Hussell et al. ....	
D615,052	S *	5/2010	Imai et al. ....	D13/180
7,825,578	B2 *	11/2010	Takashima et al. ....	313/502
7,872,418	B2 *	1/2011	Hata et al. ....	313/512
D637,564	S *	5/2011	Tseng et al. ....	D13/180

2008/0054279	A1	3/2008	Hussell et al.	
2008/0054284	A1	3/2008	Hussell et al.	
2010/0078664	A1	4/2010	Helbing	
2010/0141182	A1	6/2010	Shi	
2010/0253248	A1	10/2010	Shi	
2010/0320483	A1 *	12/2010	Kadotani et al. ....	257/88

**OTHER PUBLICATIONS**

Bridgelux Product Data Sheet—1 page <http://www.bridgelux.com/products/ledarray.html> at least as early as Nov. 18, 2010.

Citizen Co. Product Data Sheet—[http://ce.citizen.co.jp/lighting\\_led/en/products/index.html](http://ce.citizen.co.jp/lighting_led/en/products/index.html) (4 pages) at least as early as Dec. 1, 2010.  
U.S. Appl. No. 29/380,387 for “Light Emitting Device Package”, filed Dec. 3, 2010.

U.S. Appl. No. 13/028,972 for “Light Emitting Devices and Methods”, filed Feb. 16, 2011.

\* cited by examiner

*Primary Examiner* — Selina Sikder

(74) *Attorney, Agent, or Firm* — Jenkins, Wilson, Taylor & Hunt P.A.

(57) **CLAIM**

The ornamental design for a light emitting device package, as shown and described.

**DESCRIPTION**

FIG. 1 is a perspective view of a light emitting device package showing our design;

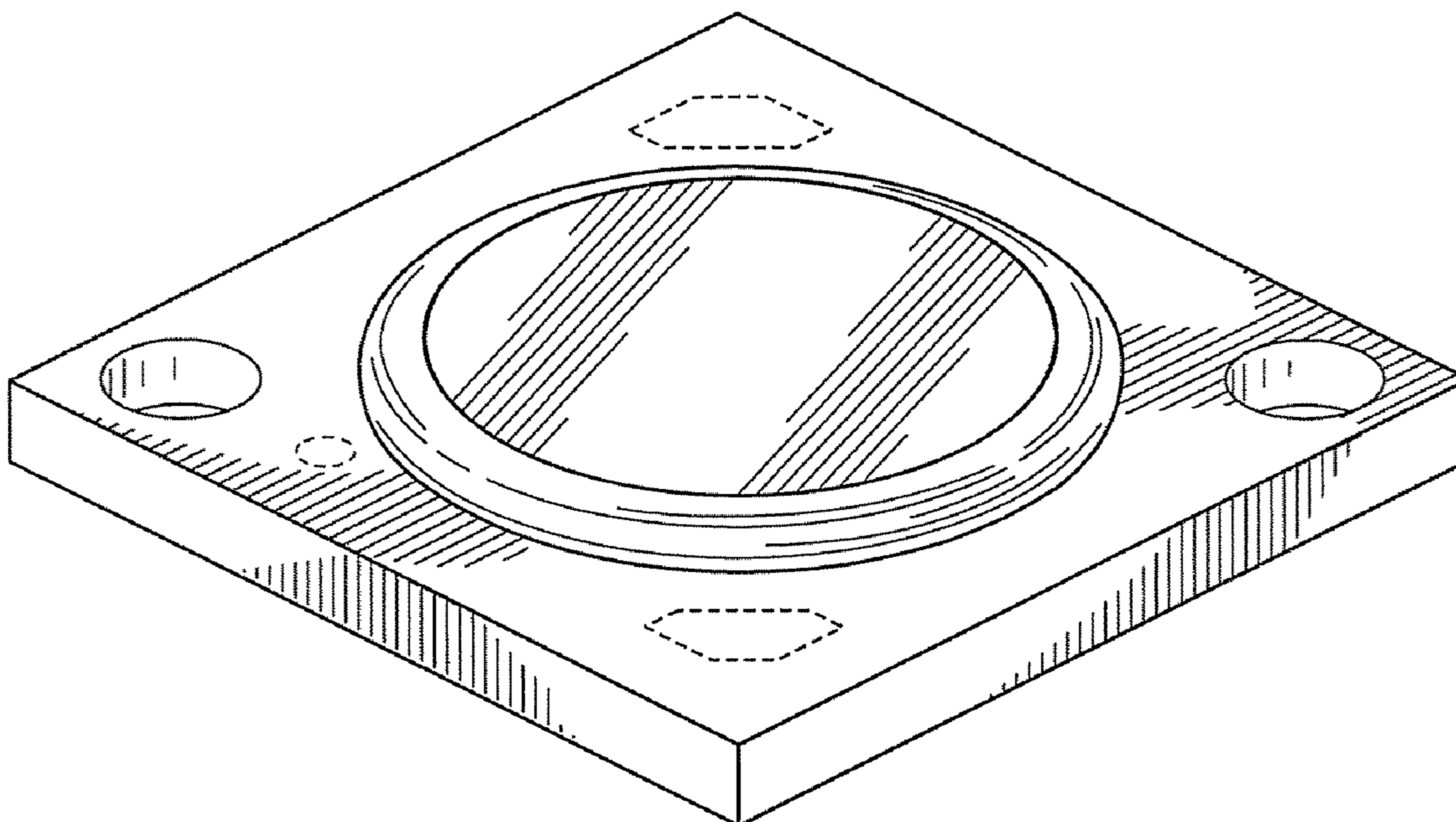
FIG. 2 is a top view thereof;

FIG. 3 is a side view thereof, the opposing and adjacent sides being mirror images of that shown; and,

FIG. 4 is a bottom view thereof.

The dashed broken lines are for illustrative purpose only and form no part of the claimed design.

**1 Claim, 3 Drawing Sheets**



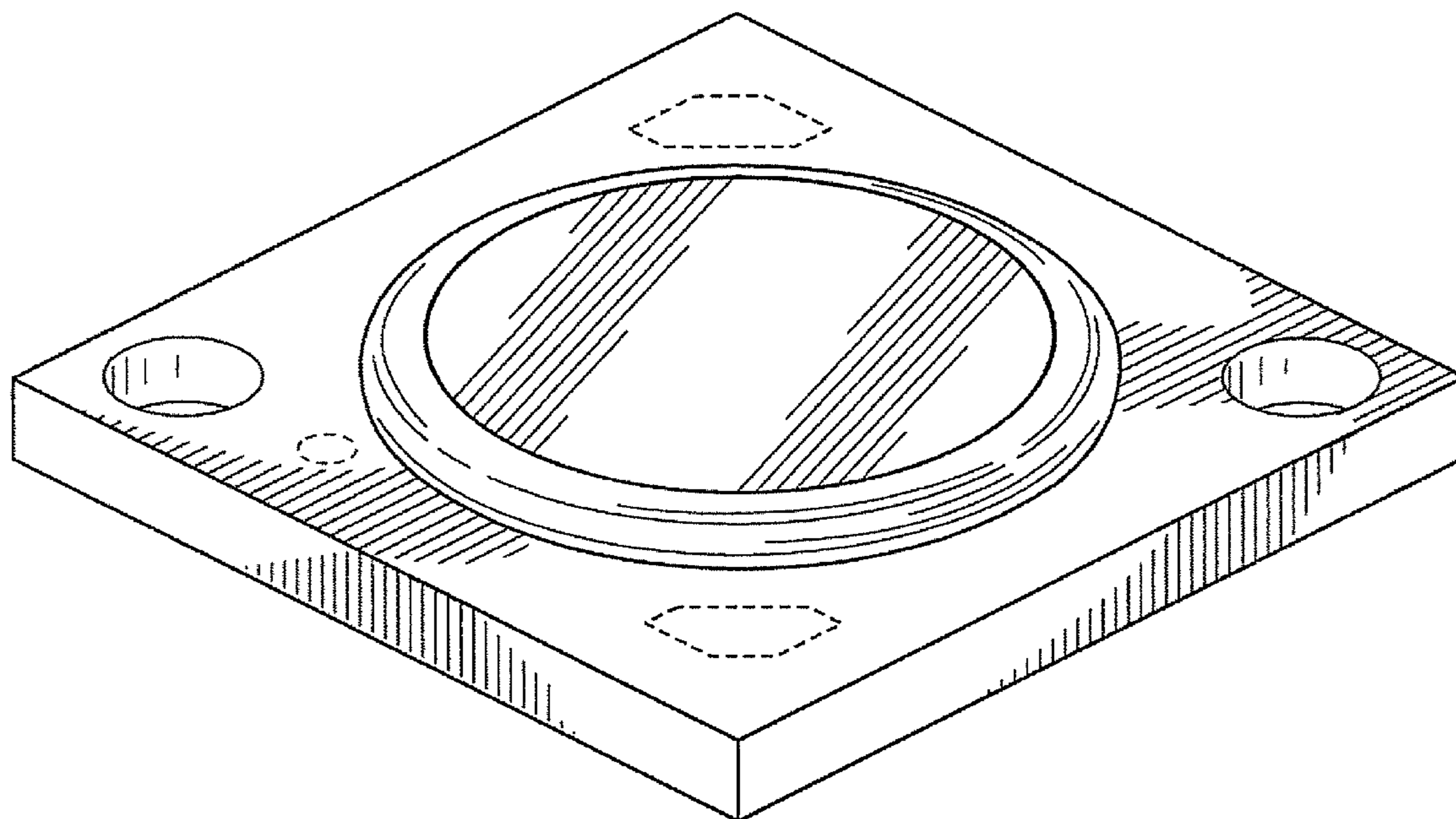
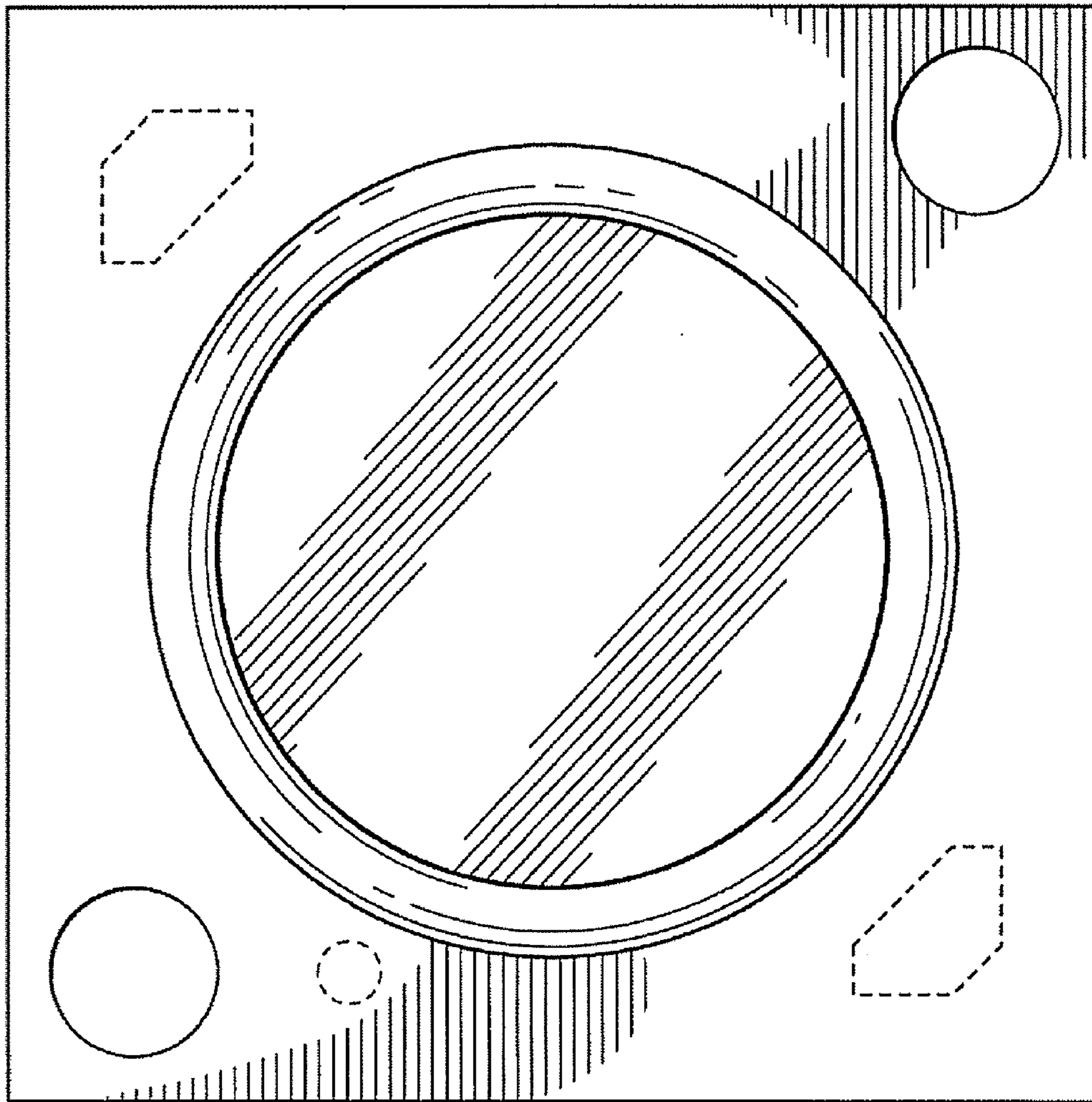
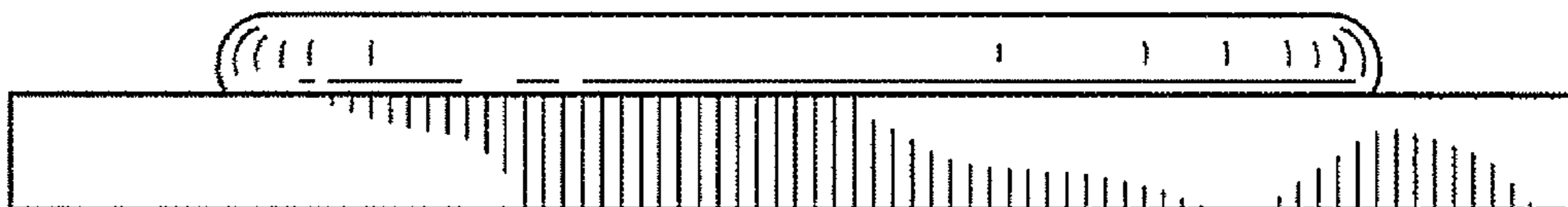


FIG. 1

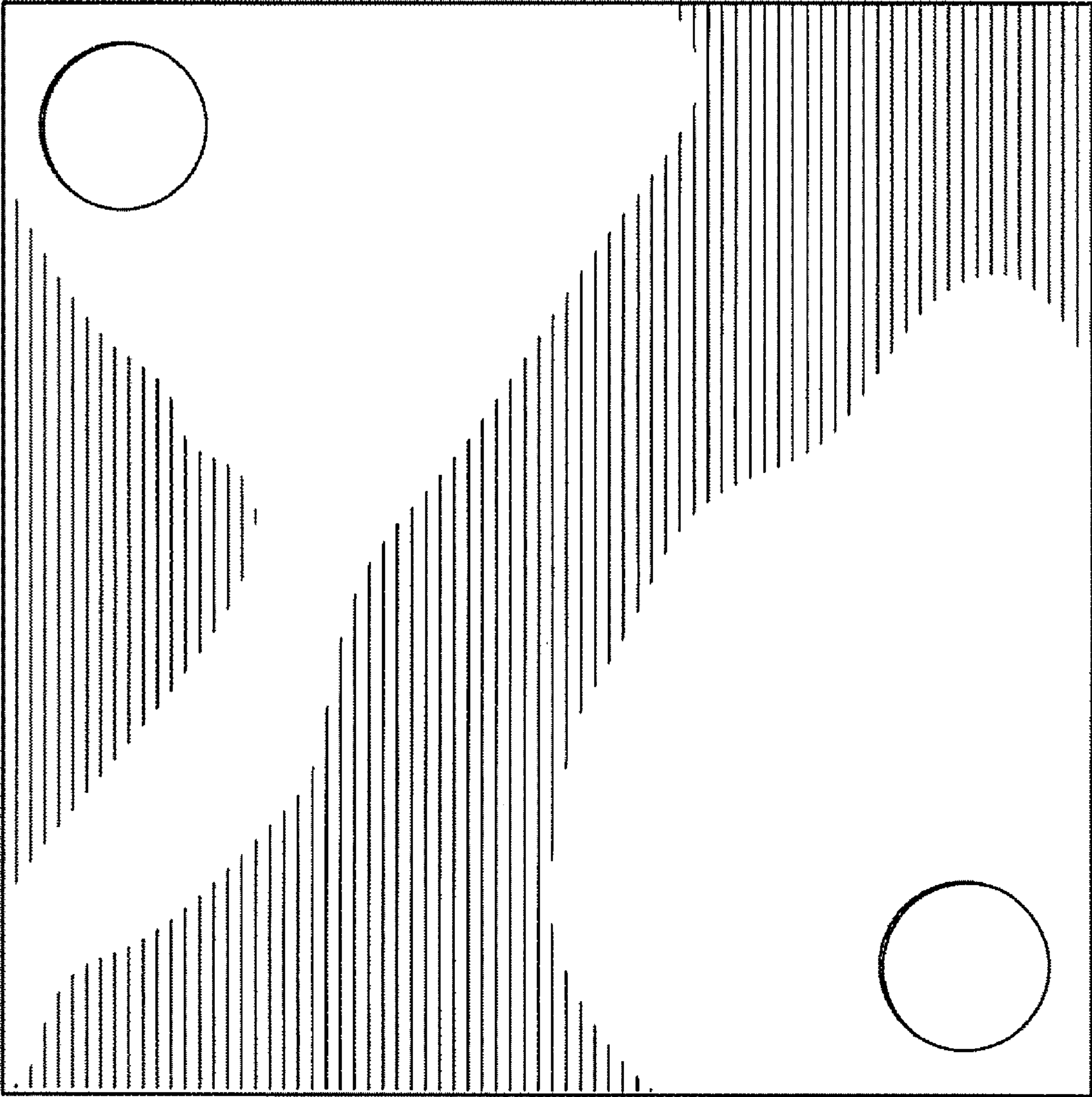


**FIG. 2**



**FIG. 3**





**FIG. 4**