



US00D650759S

(12) **United States Design Patent**
Arai et al.

(10) **Patent No.:** **US D650,759 S**
(45) **Date of Patent:** **** Dec. 20, 2011**

(54) **ELECTRICAL CONNECTOR**

(75) Inventors: **Junichi Arai**, Isesaki (JP); **Takao Asano**, Isesaki (JP)

(73) Assignee: **Hosiden Corporation**, Yao-shi (JP)

(**) Term: **14 Years**

(21) Appl. No.: **29/397,091**

(22) Filed: **Jul. 12, 2011**

(30) **Foreign Application Priority Data**

Jan. 13, 2011 (JP) 2011-000519

(51) **LOC (9) Cl.** **13-03**

(52) **U.S. Cl.** **D13/147**

(58) **Field of Classification Search** D13/147,
D13/154, 184, 199; 439/188, 256, 344, 607.1,
439/607.4, 607.5, 607.17, 607.25, 607.34,
439/607.41, 607.53, 660, 676

See application file for complete search history.

(56) **References Cited**

U.S. PATENT DOCUMENTS

| | | | | | | |
|----------|---|---|---------|---------------|-------|---------|
| D478,320 | S | * | 8/2003 | Suzuki et al. | | D13/147 |
| D611,424 | S | * | 3/2010 | Arai et al. | | D13/147 |
| D629,361 | S | * | 12/2010 | Arai et al. | | D13/147 |
| D631,843 | S | * | 2/2011 | Nagata | | D13/147 |

* cited by examiner

Primary Examiner — Daniel Bui

(74) *Attorney, Agent, or Firm* — Rankin, Hill & Clark LLP

(57) **CLAIM**

The ornamental design for an electrical connector, as shown and described.

DESCRIPTION

FIG. 1 is a front, right side and top perspective view of an electrical connector showing our new design;
FIG. 2 is a front, right side and bottom perspective view thereof;
FIG. 3 is a rear, right side and bottom perspective view thereof;
FIG. 4 is a front elevation view thereof;
FIG. 5 is a rear elevation view thereof;
FIG. 6 is a left side elevation view thereof, a right side elevation view being a mirror image thereof;
FIG. 7 is a top plan view thereof; and,
FIG. 8 is a bottom plan view thereof.

1 Claim, 4 Drawing Sheets

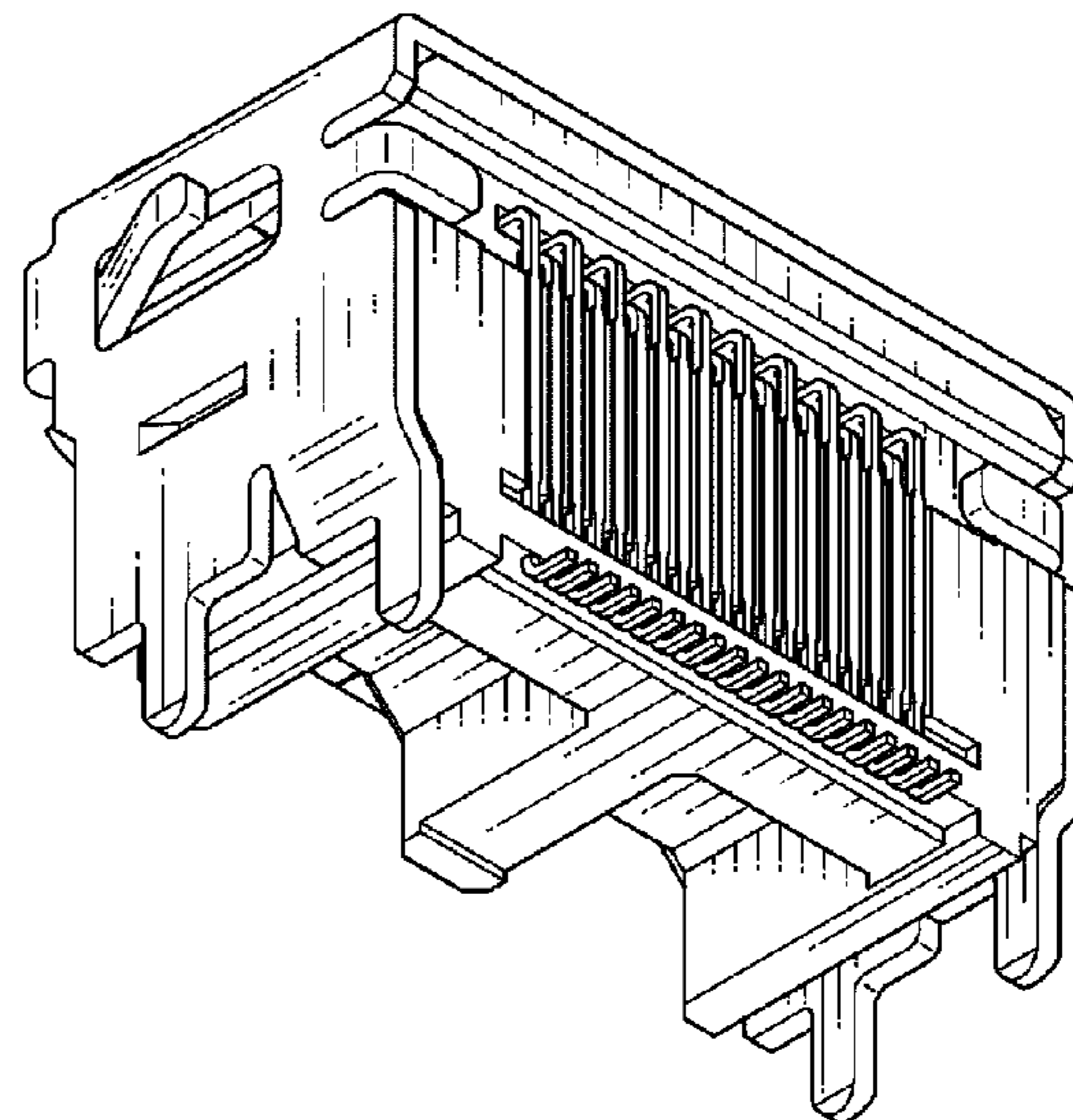
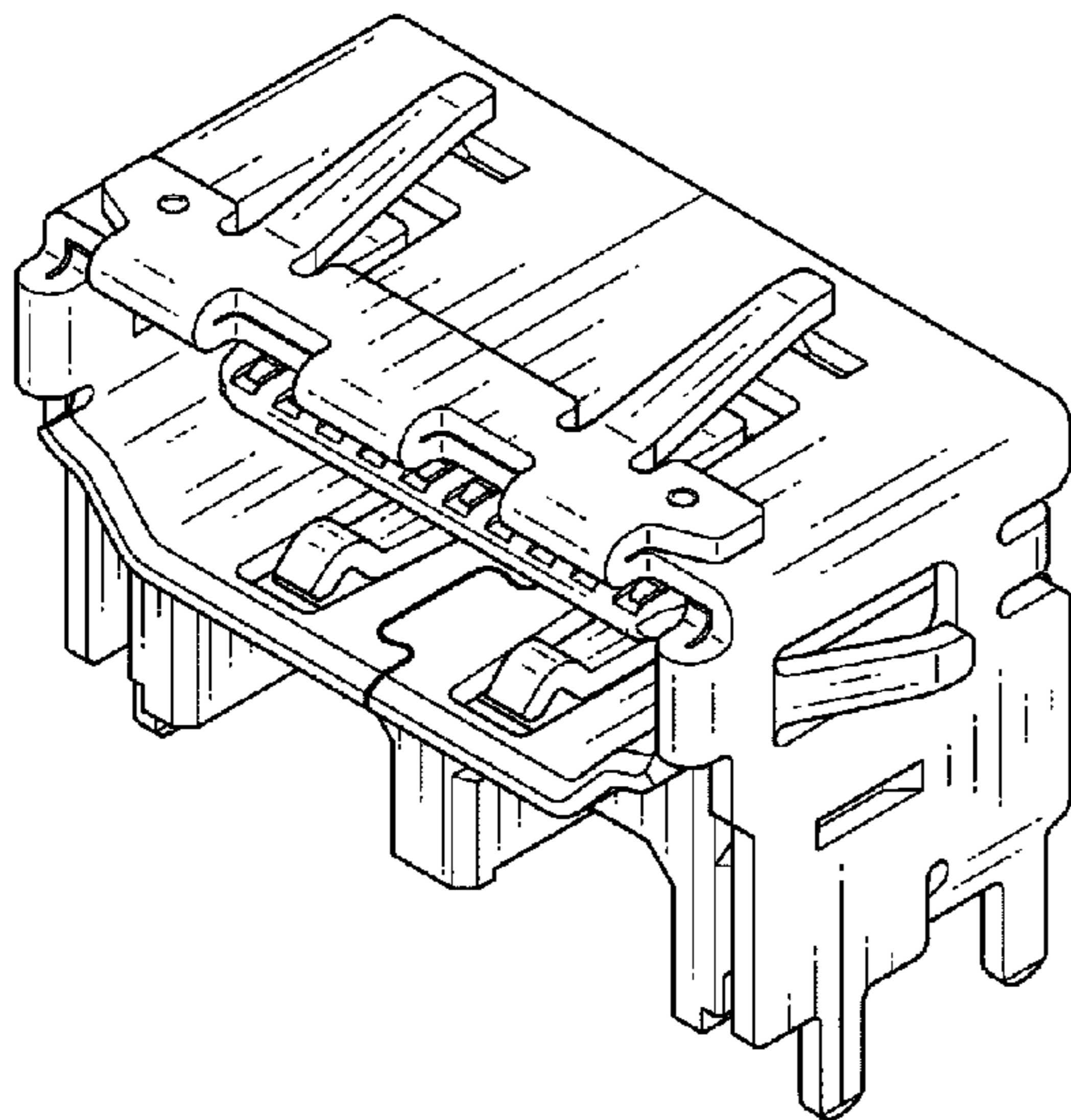


Fig. 1

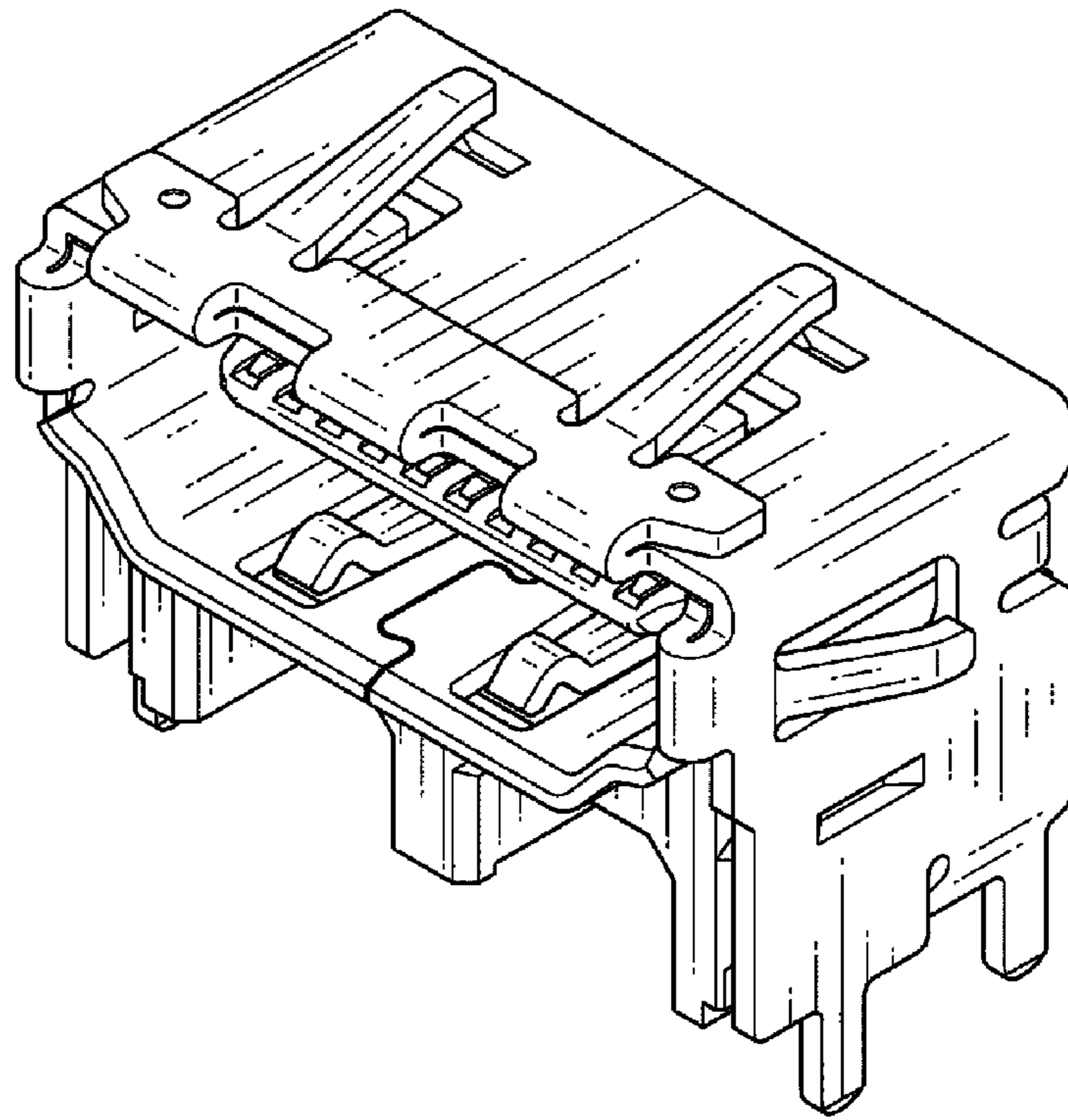


Fig. 2

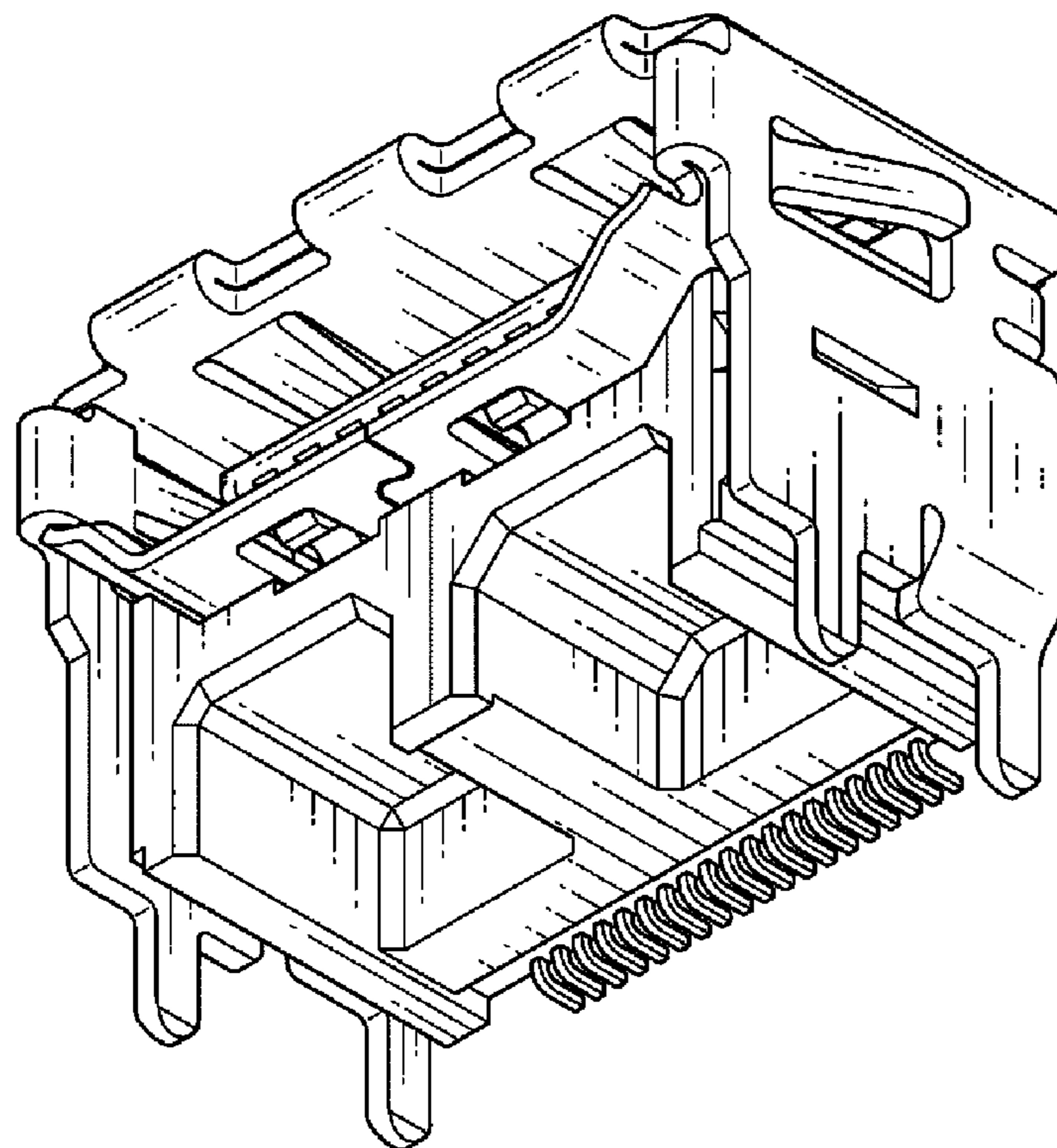


Fig. 3

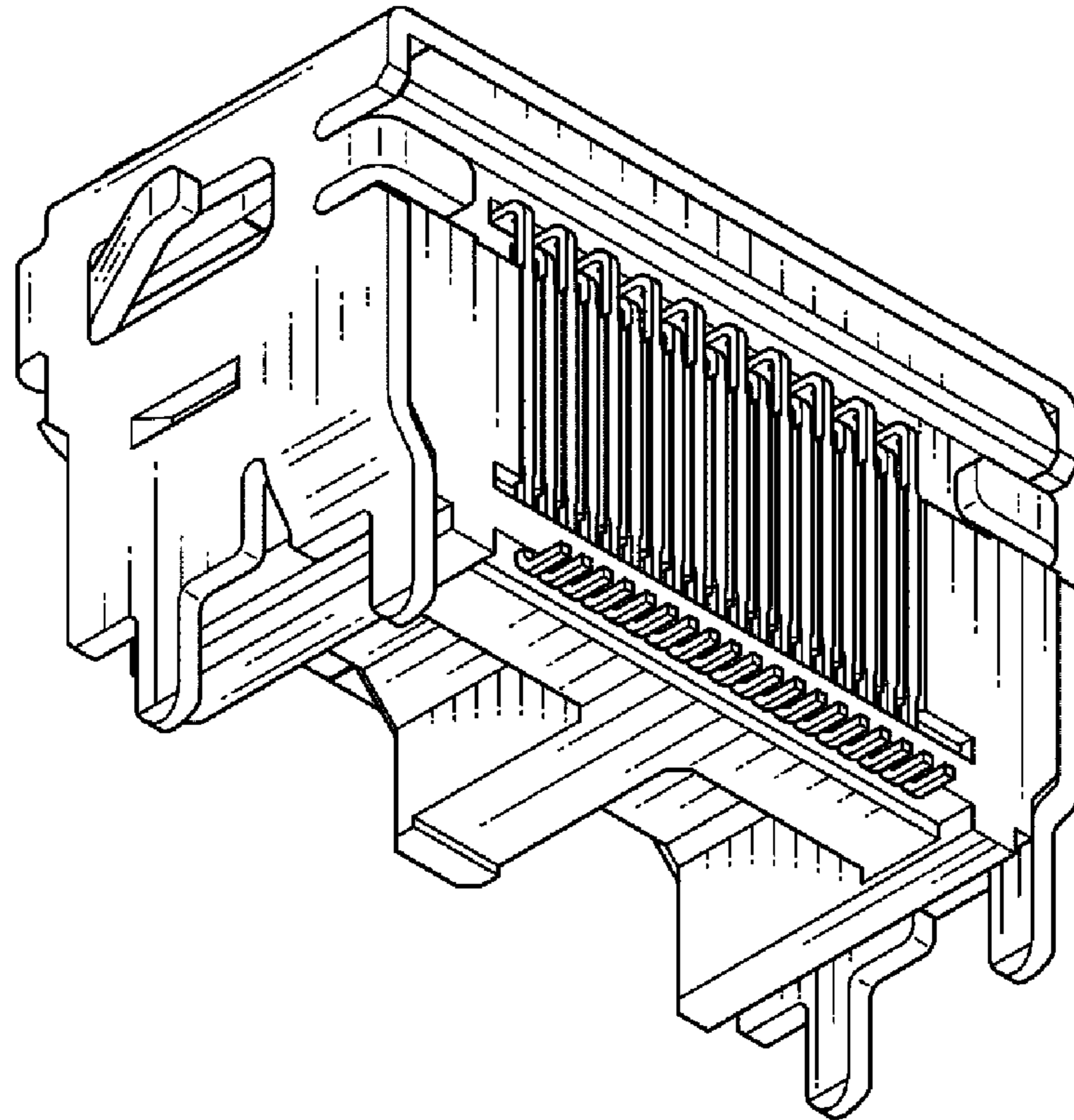


Fig. 4

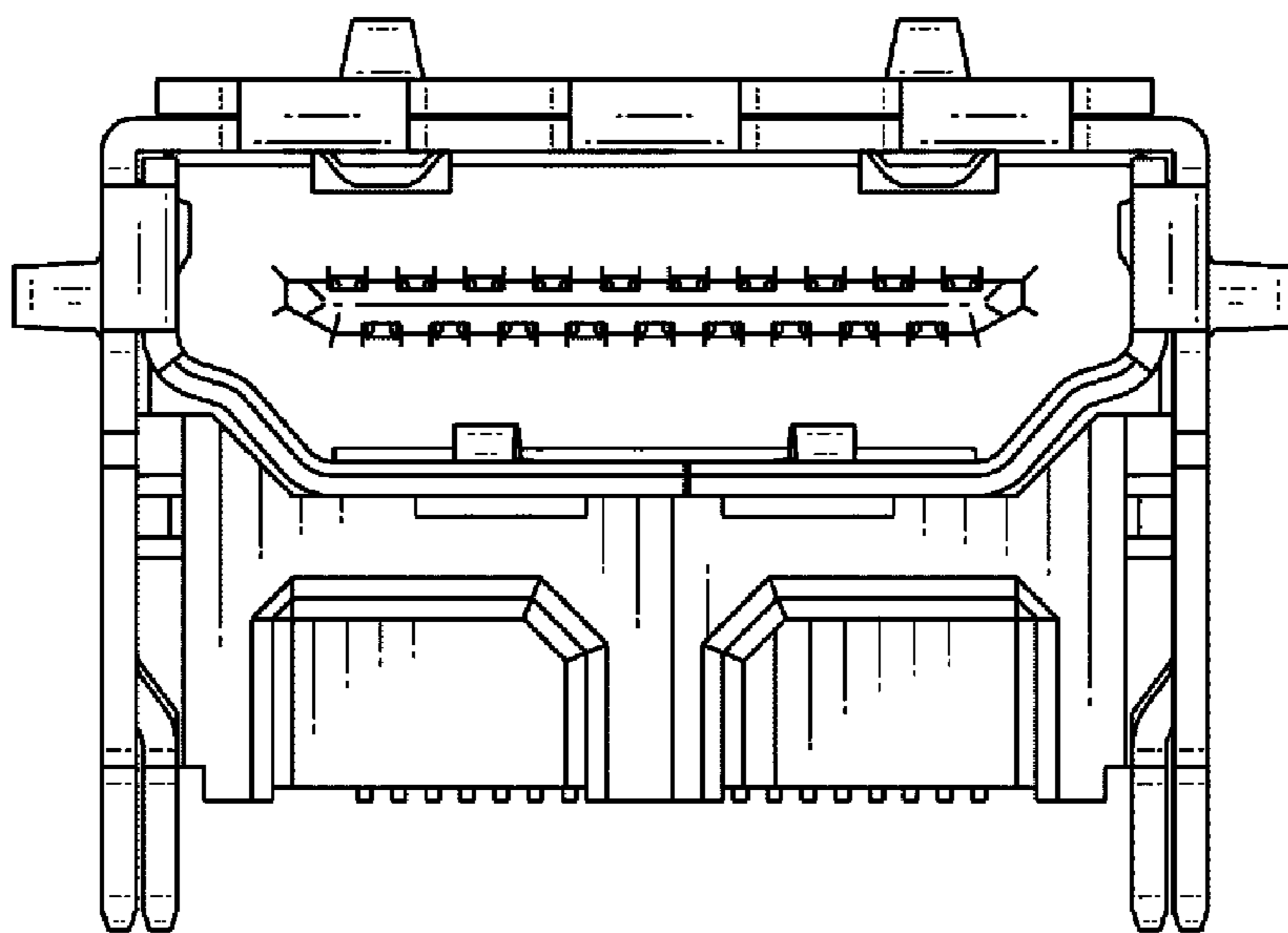


Fig. 5

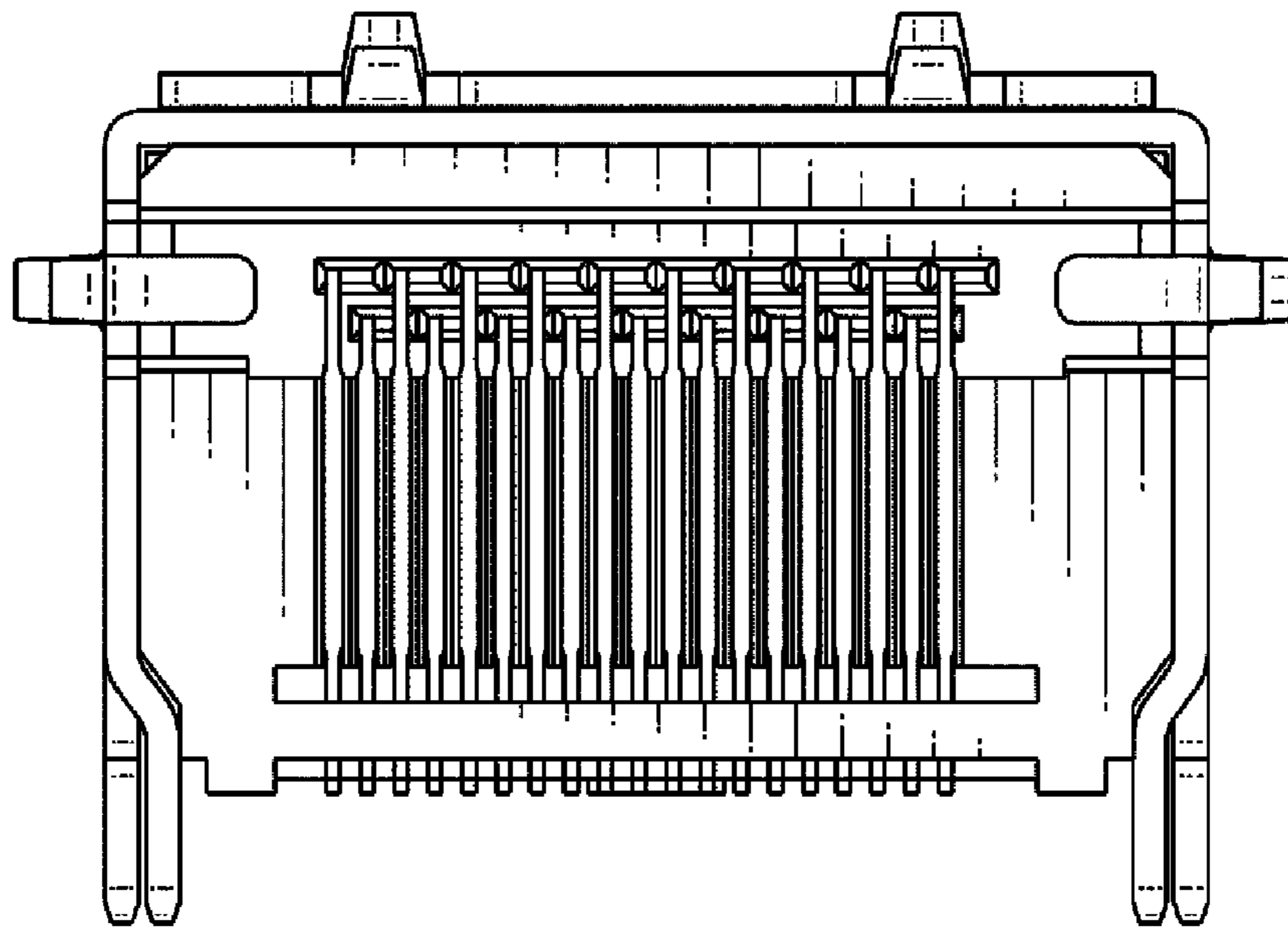


Fig. 6

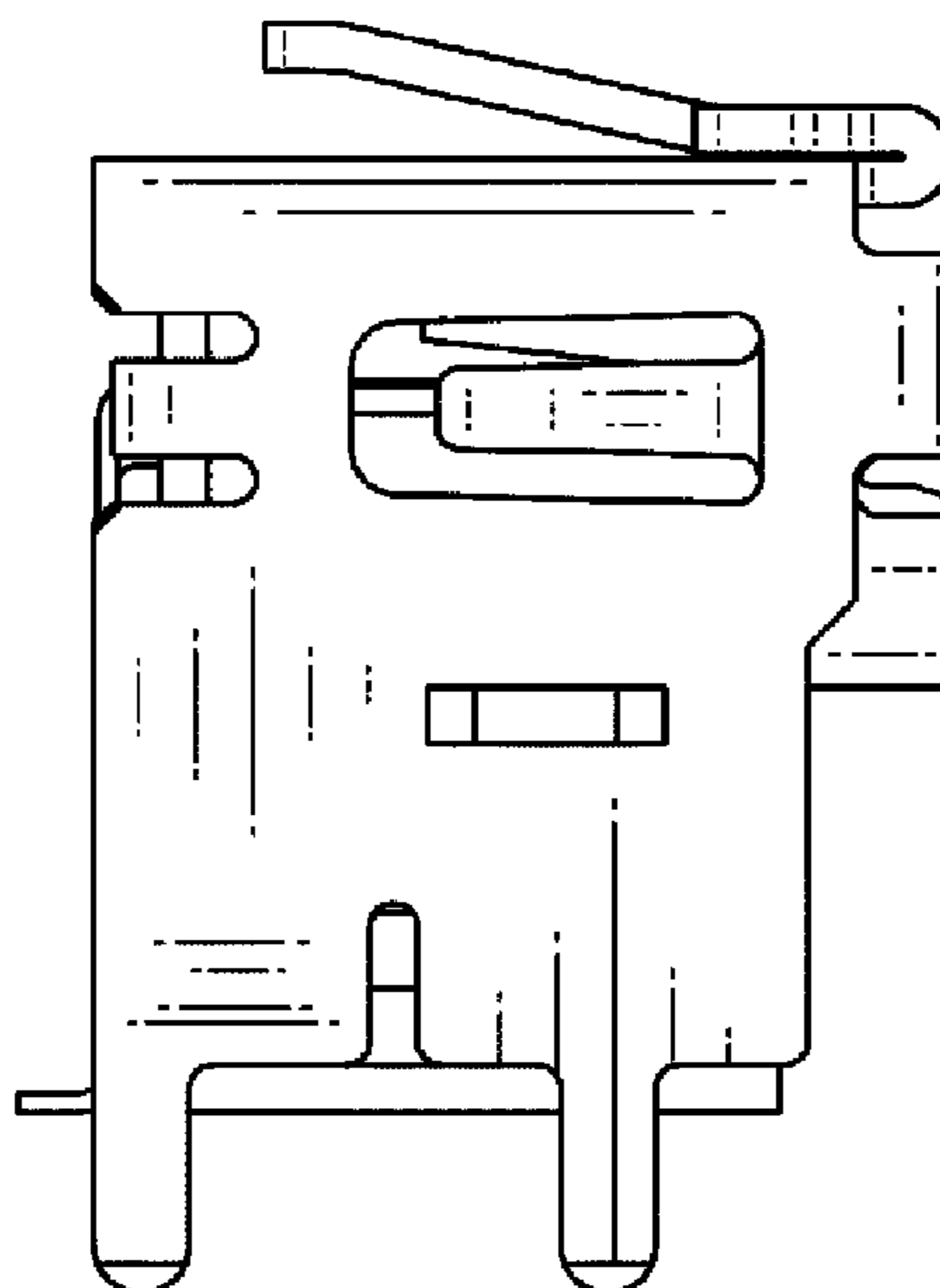


Fig. 7

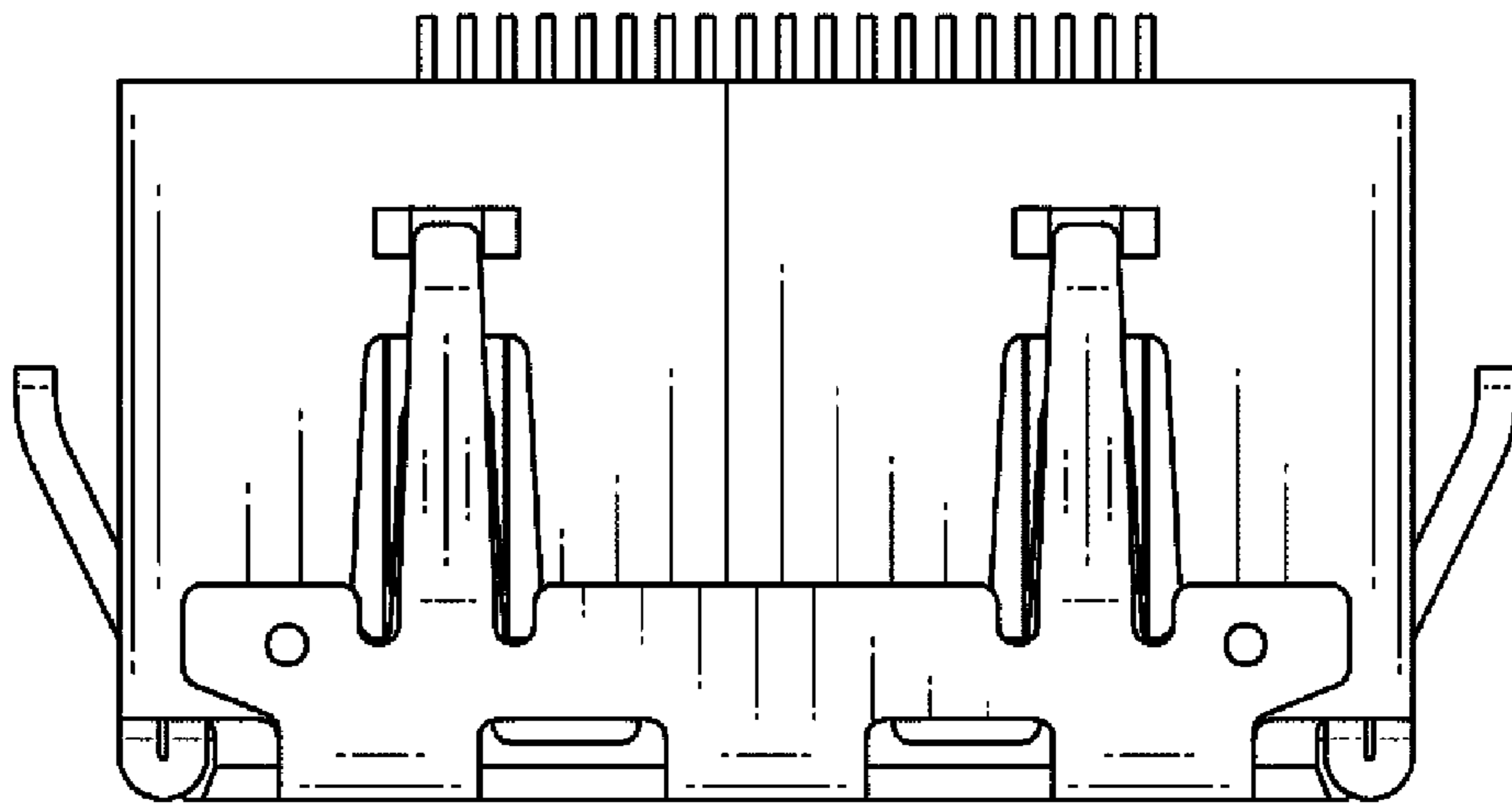


Fig. 8

