



US00D650756S

(12) **United States Design Patent**
Hoffman et al.

(10) **Patent No.:** **US D650,756 S**

(45) **Date of Patent:** **** Dec. 20, 2011**

(54) **ELECTRICAL CONNECTOR HOUSING**

(75) Inventors: **Jonathan Hoffman**, Vancouver, WA (US); **Robert Santos**, Vancouver, WA (US)

(73) Assignee: **Samtec, Inc.**, New Albany, IN (US)

(**) Term: **14 Years**

(21) Appl. No.: **29/386,168**

(22) Filed: **Feb. 25, 2011**

Related U.S. Application Data

(62) Division of application No. 29/360,150, filed on Apr. 21, 2010, now Pat. No. Des. 635,519.

(51) **LOC (9) Cl.** **13-03**

(52) **U.S. Cl.** **D13/147**

(58) **Field of Classification Search** D13/147, D13/154, 156, 184; 439/79, 108, 159-160, 439/260, 329, 395, 607.01, 607.04, 607.05, 439/607.17, 607.25, 607.34, 607.41, 607.53, 439/629, 630

See application file for complete search history.

(56) **References Cited**

OTHER PUBLICATIONS

Hoffman et al., "Electrical Connector Housing", U.S. Appl. No. 29/360,150, filed Apr. 21, 2010.

Primary Examiner — Daniel Bui

(74) *Attorney, Agent, or Firm* — Keating & Bennett, LLP

(57) **CLAIM**

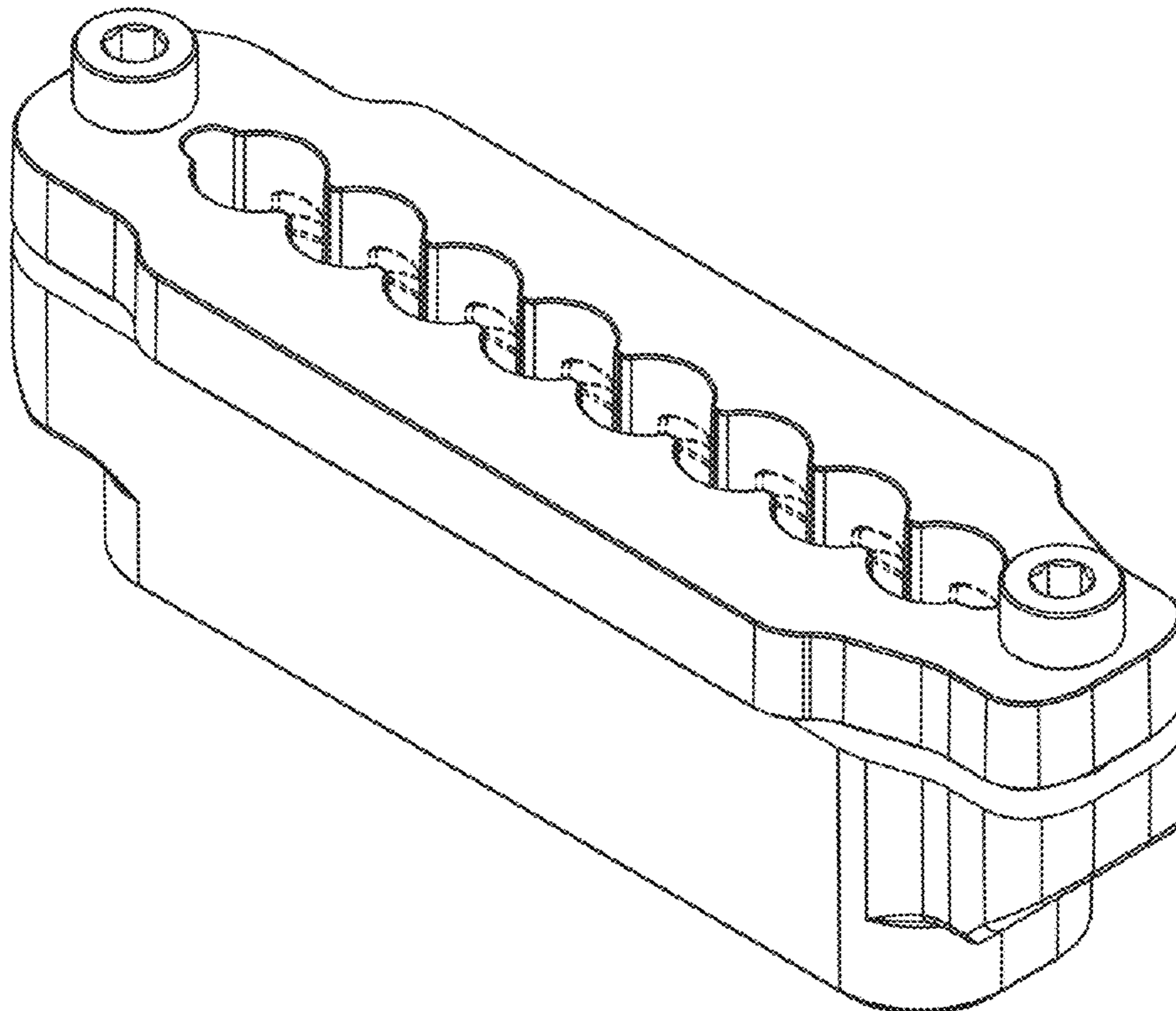
The ornamental design for an electrical connector housing, as shown and described.

DESCRIPTION

FIG. 1 is a perspective view of an electrical connector housing according to our new design; FIG. 2 is a top view thereof; FIG. 3 is a front view thereof; FIG. 4 is a left view thereof; FIG. 5 is a back view thereof; FIG. 6 is a right view thereof; and, FIG. 7 is a bottom view thereof.

The broken line in the drawing views is included to show unclaimed subject matter only and forms no part of the claimed design.

1 Claim, 7 Drawing Sheets



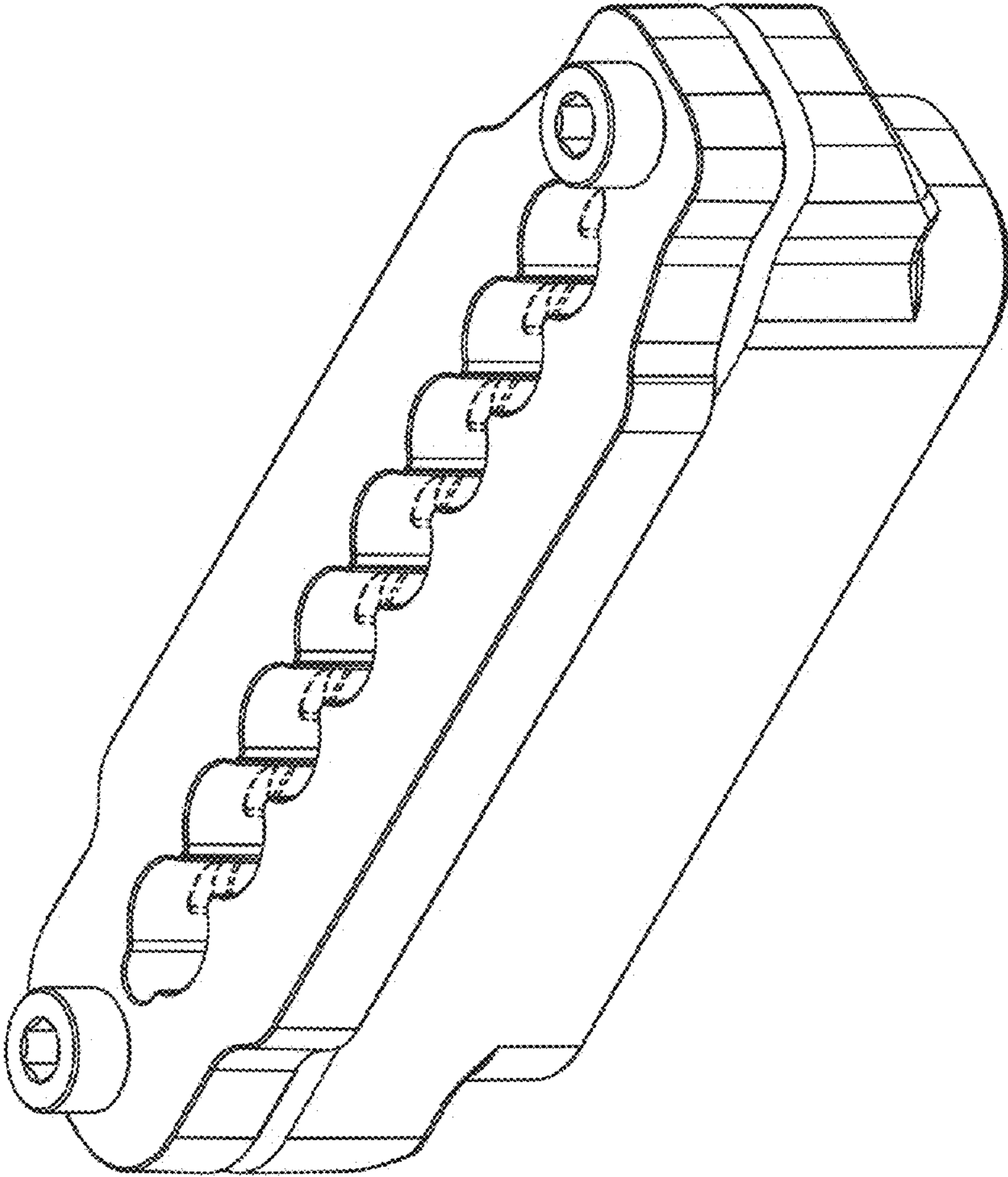


Fig. 1

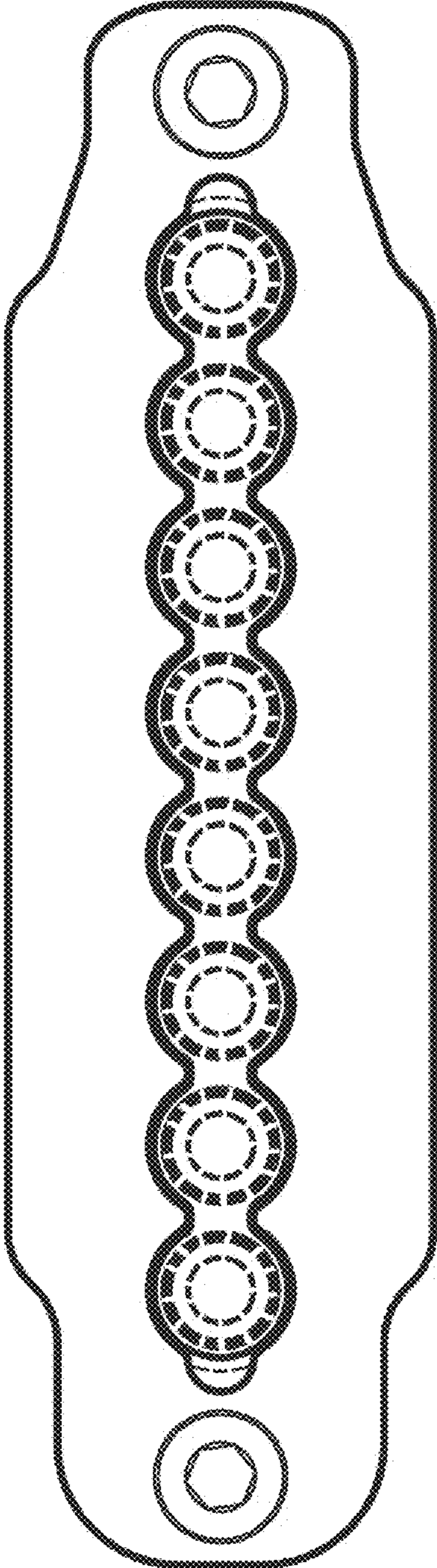


Fig. 2

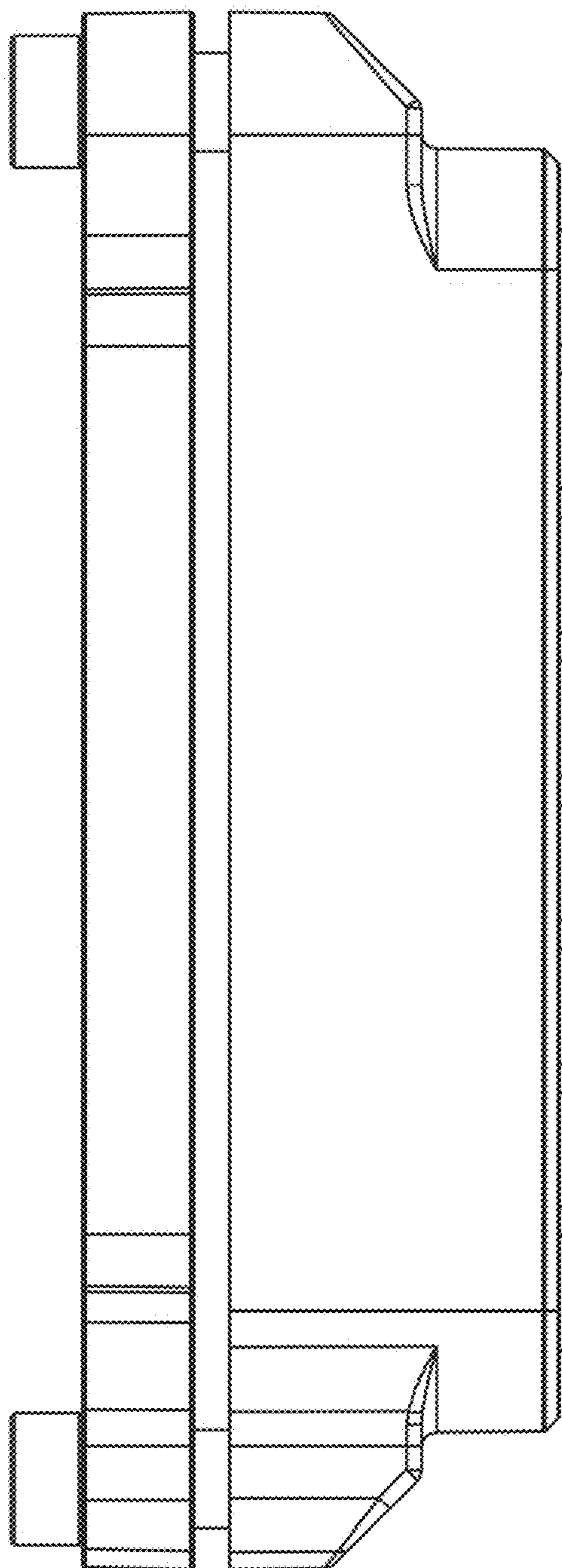


Fig. 3

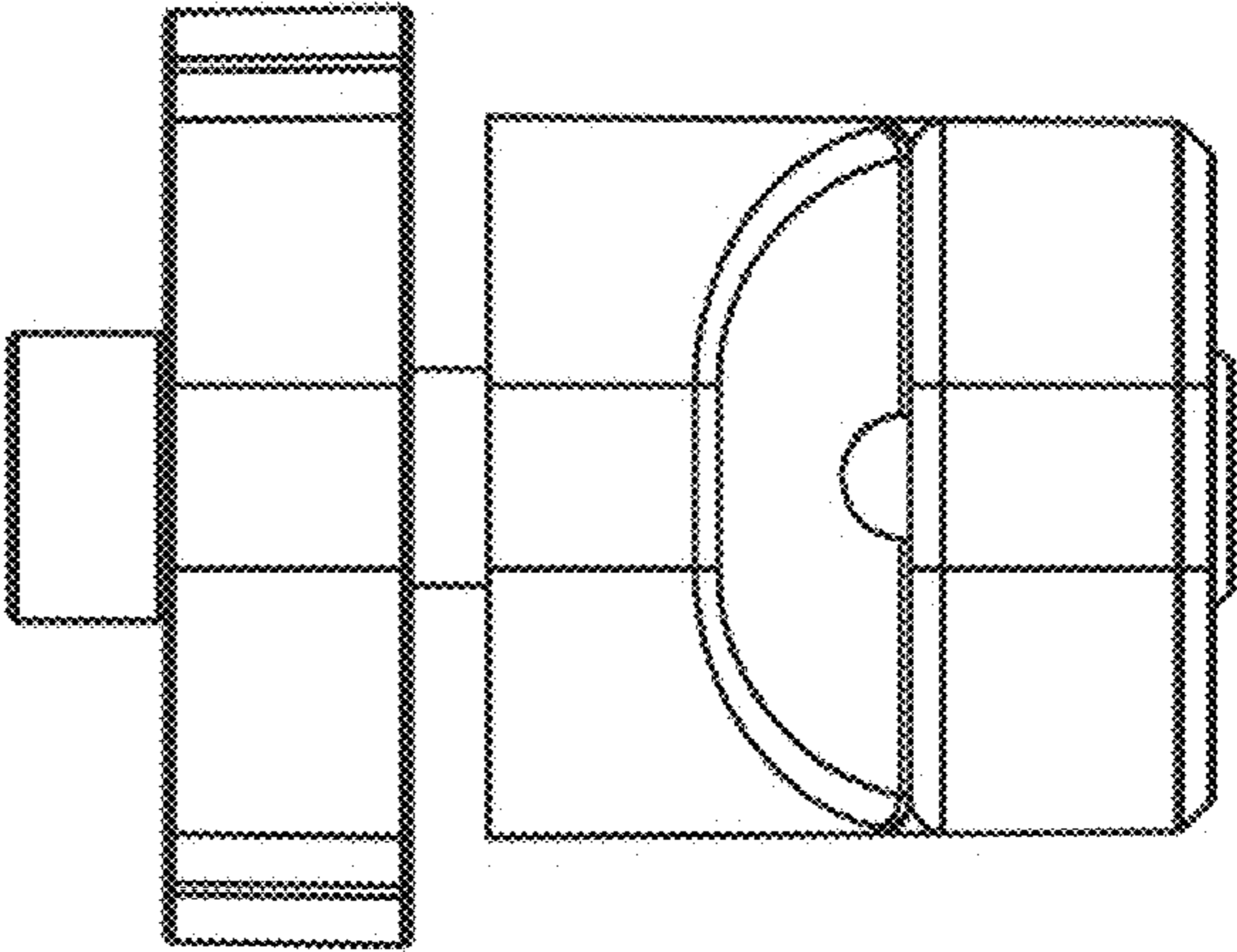


Fig. 4

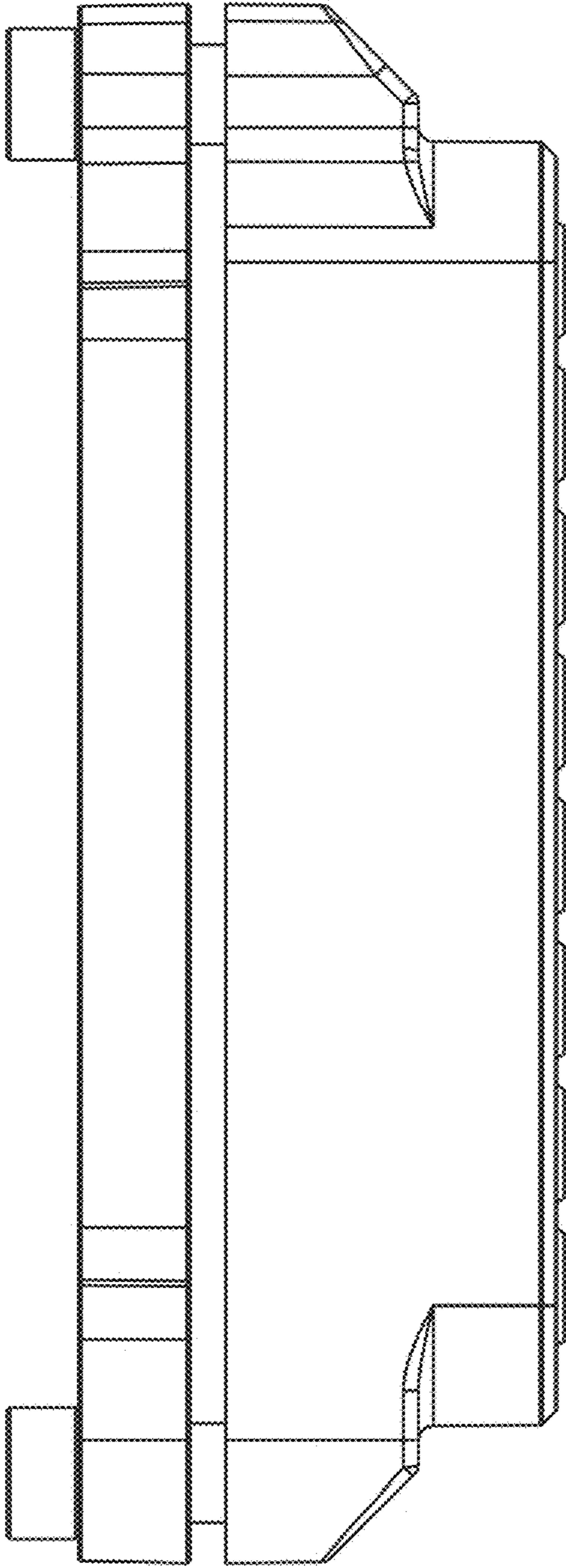


Fig. 5

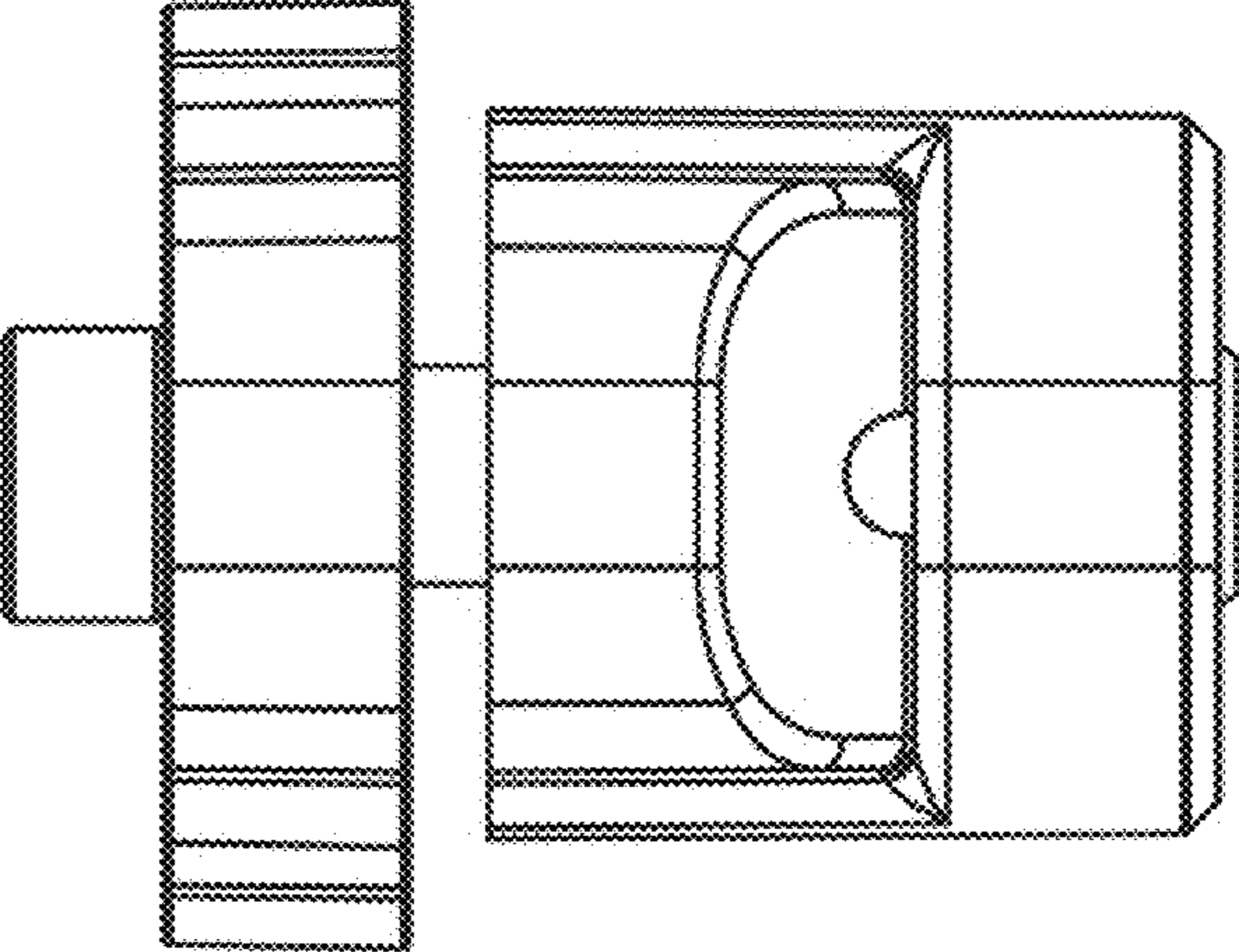


Fig. 6

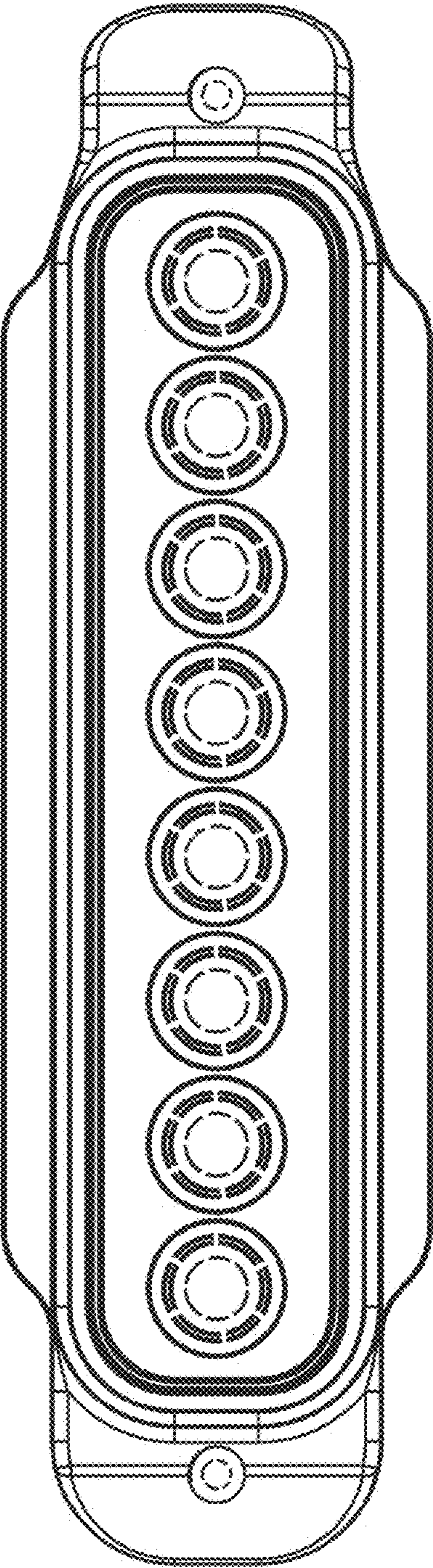


Fig. 7