



US00D650742S

(12) **United States Design Patent**  
**Hosler**

(10) **Patent No.:** **US D650,742 S**

(45) **Date of Patent:** **\*\* Dec. 20, 2011**

(54) **PLUG CONNECTOR**

(75) Inventor: **David Hosler**, El Cajon, CA (US)

(73) Assignee: **Taylor-Listug, Inc.**, El Cajon, CA (US)

(\*\*) Term: **14 Years**

(21) Appl. No.: **29/361,048**

(22) Filed: **May 4, 2010**

(51) **LOC (9) Cl.** ..... **13-03**

(52) **U.S. Cl.** ..... **D13/133**

(58) **Field of Classification Search** ..... D13/133,  
D13/154, 184, 199; D17/4, 9, 13, 20, 21,  
D17/24, 99; 439/180, 252, 246, 378, 380,  
439/476.1, 480, 892, 894, 948  
See application file for complete search history.

(56) **References Cited**

**U.S. PATENT DOCUMENTS**

D214,906 S \* 8/1969 Steinmeyer ..... D13/173  
D249,583 S \* 9/1978 Worthing et al. .... D17/20  
4,992,626 A \* 2/1991 Monroe ..... 174/36  
5,180,317 A \* 1/1993 Franks, Jr. .... 439/669

5,261,839 A \* 11/1993 Franks, Jr. .... 439/669  
D385,254 S \* 10/1997 Owusu ..... D13/133  
D388,817 S \* 1/1998 Kang ..... D17/20  
D480,050 S \* 9/2003 Darrow et al. .... D13/133

\* cited by examiner

*Primary Examiner* — Daniel Bui

(74) *Attorney, Agent, or Firm* — Peter K. Hahn; Luce,  
Forward, Hamilton & Scripps, LLP

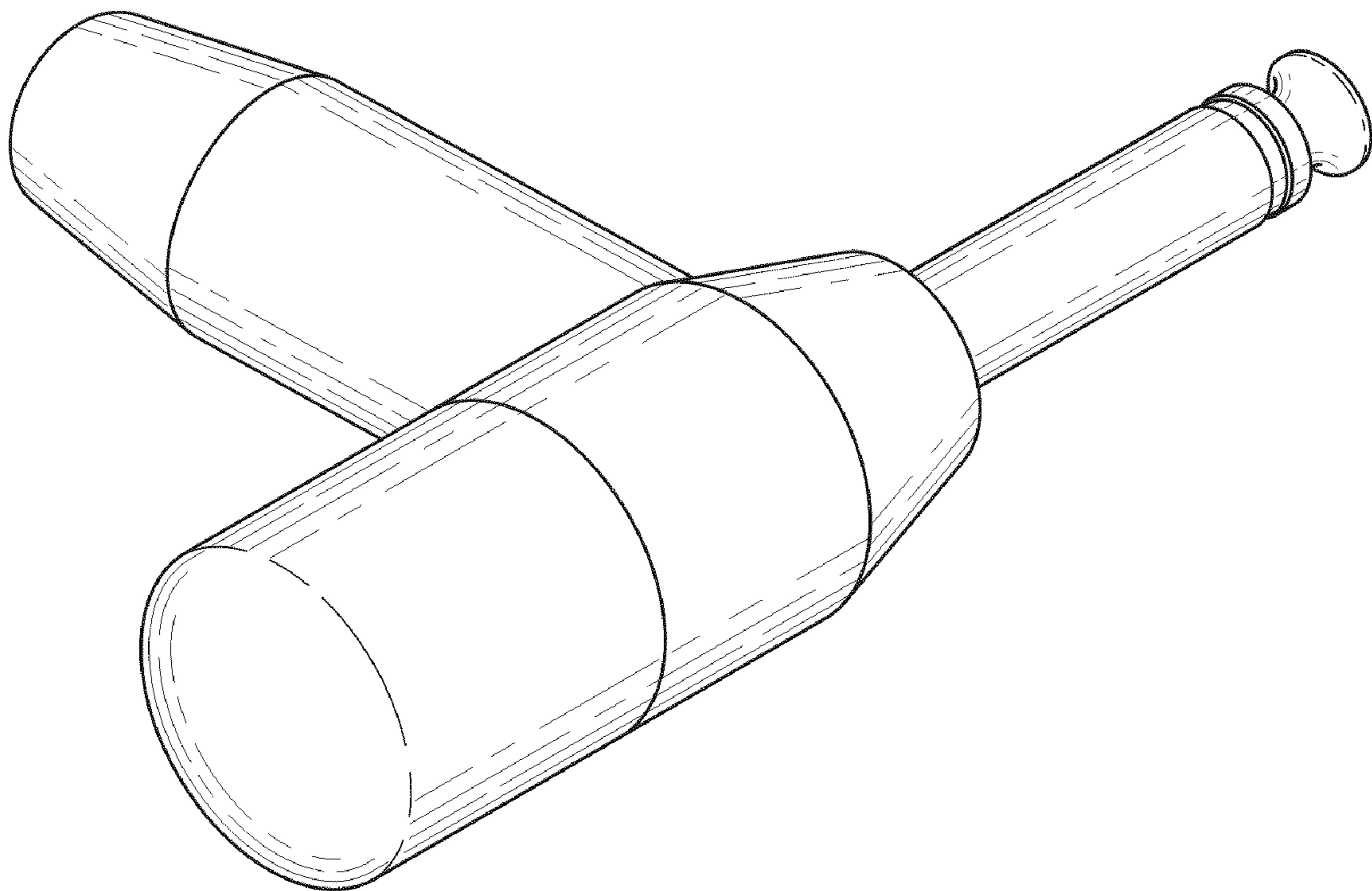
(57) **CLAIM**

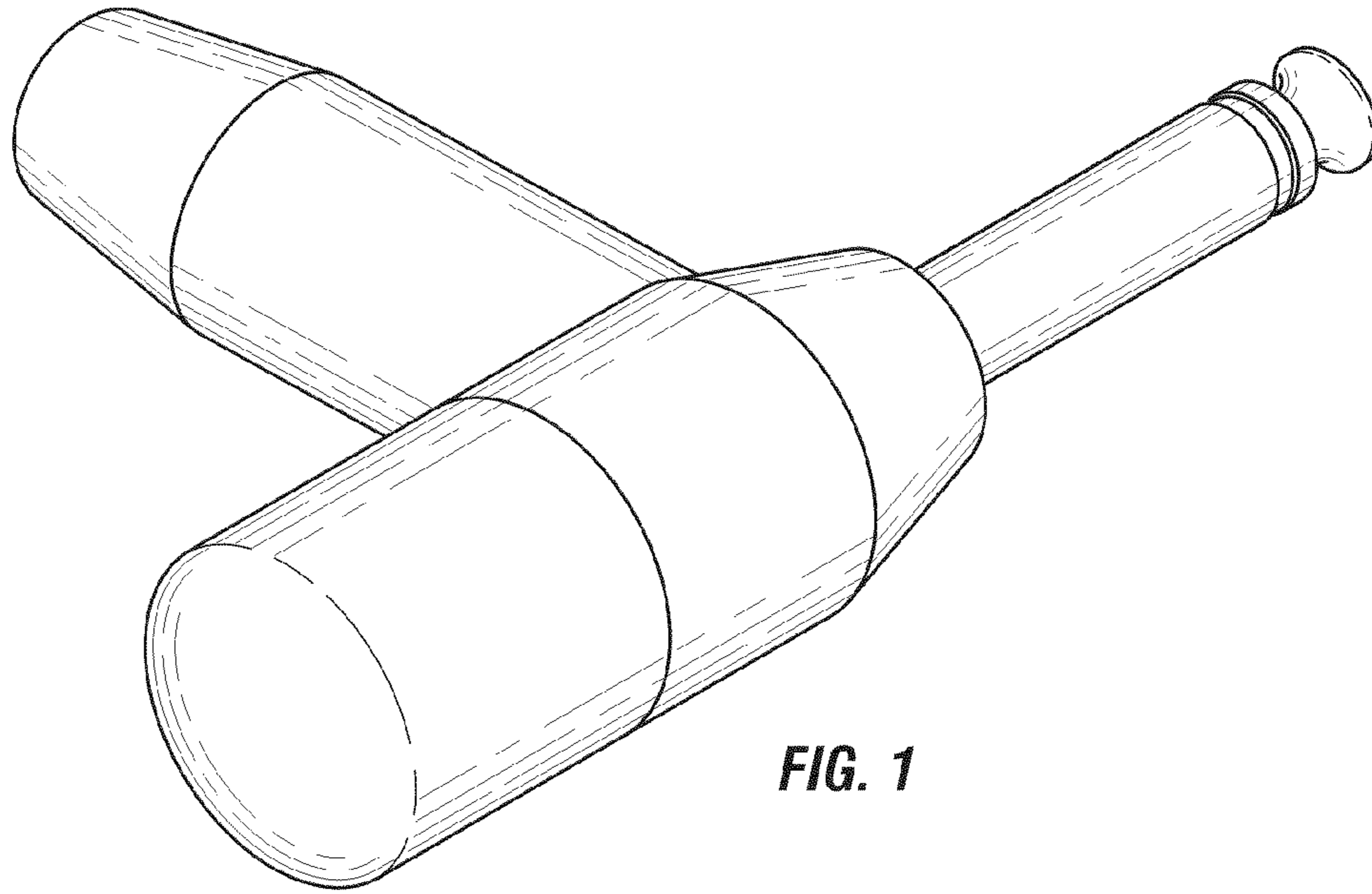
The ornamental design for a plug connector, as shown and described.

**DESCRIPTION**

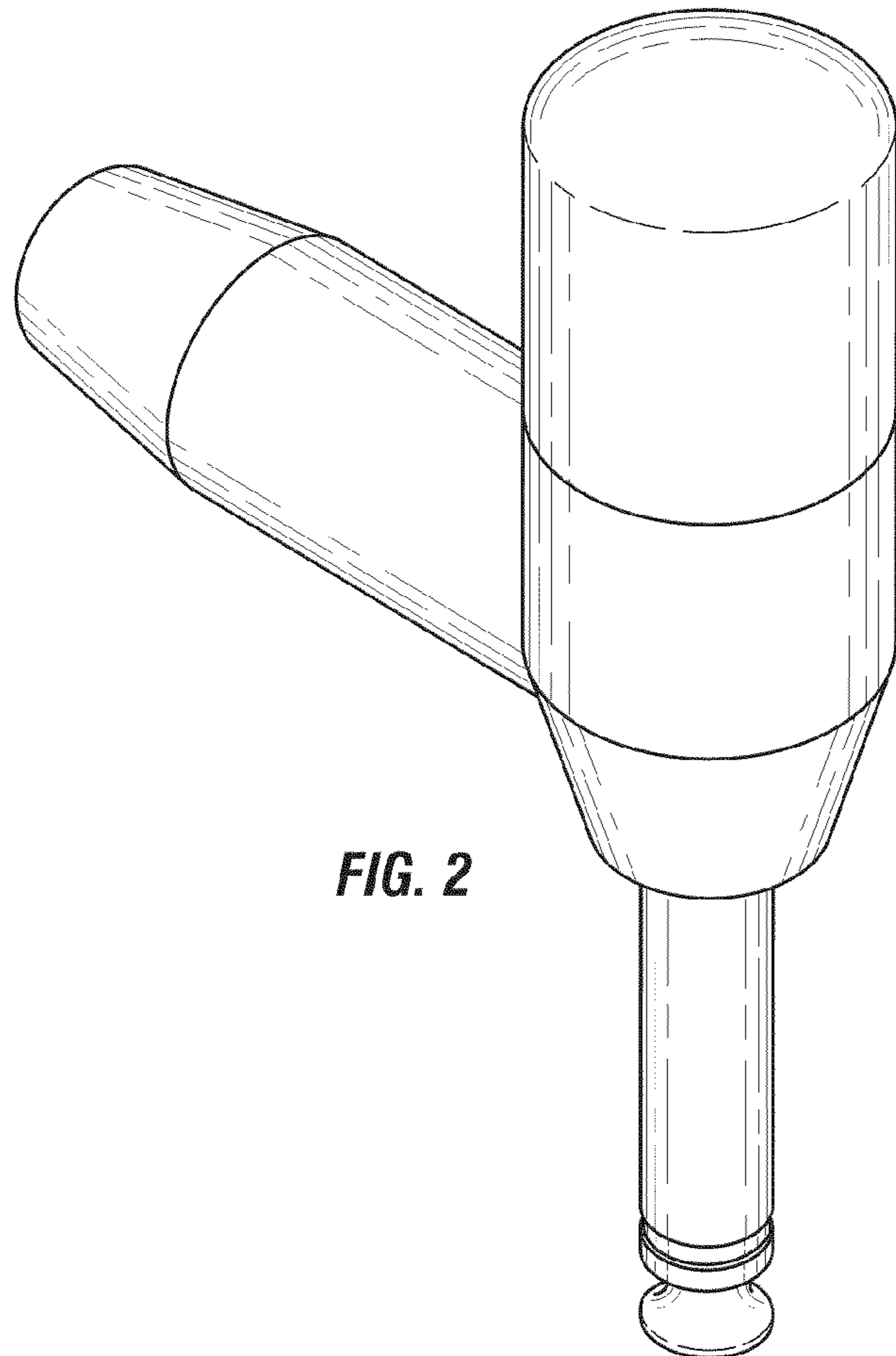
FIG. 1 is a perspective view of a plug connector showing my invention;  
FIG. 2 is another perspective view thereof;  
FIG. 3 is a front view thereof;  
FIG. 4 is a back view thereof;  
FIG. 5 is a side view thereof;  
FIG. 6 is a top view thereof; and,  
FIG. 7 is a bottom view thereof.

**1 Claim, 3 Drawing Sheets**

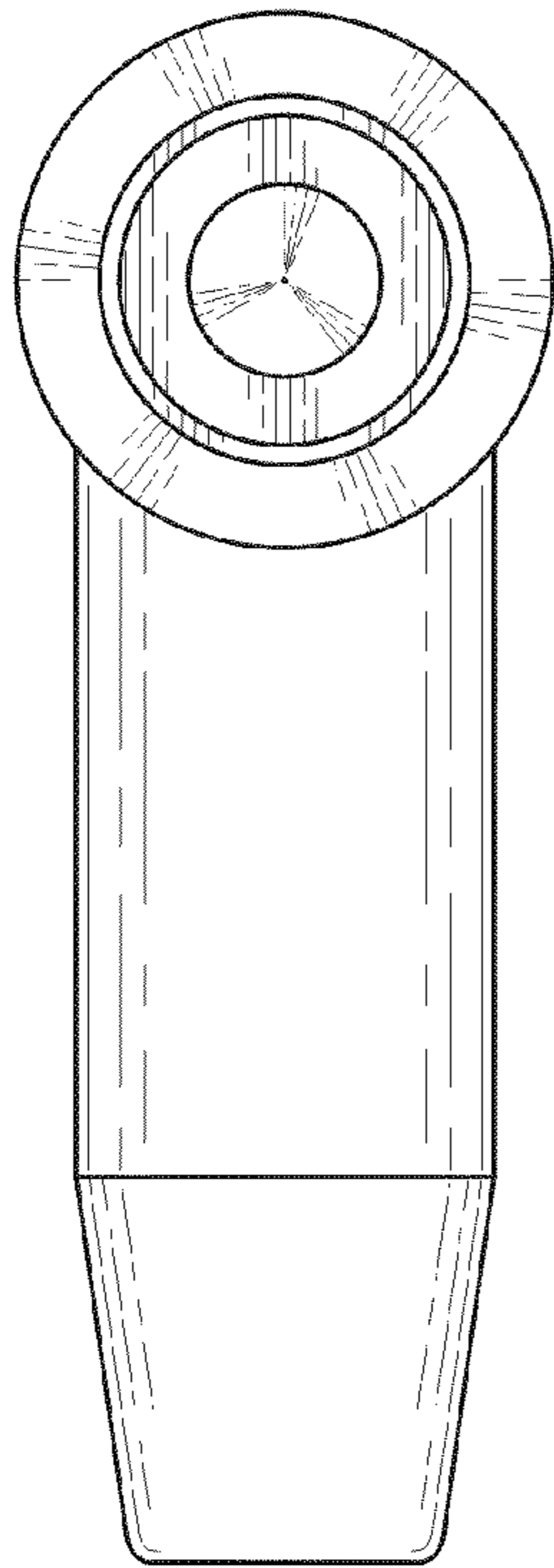




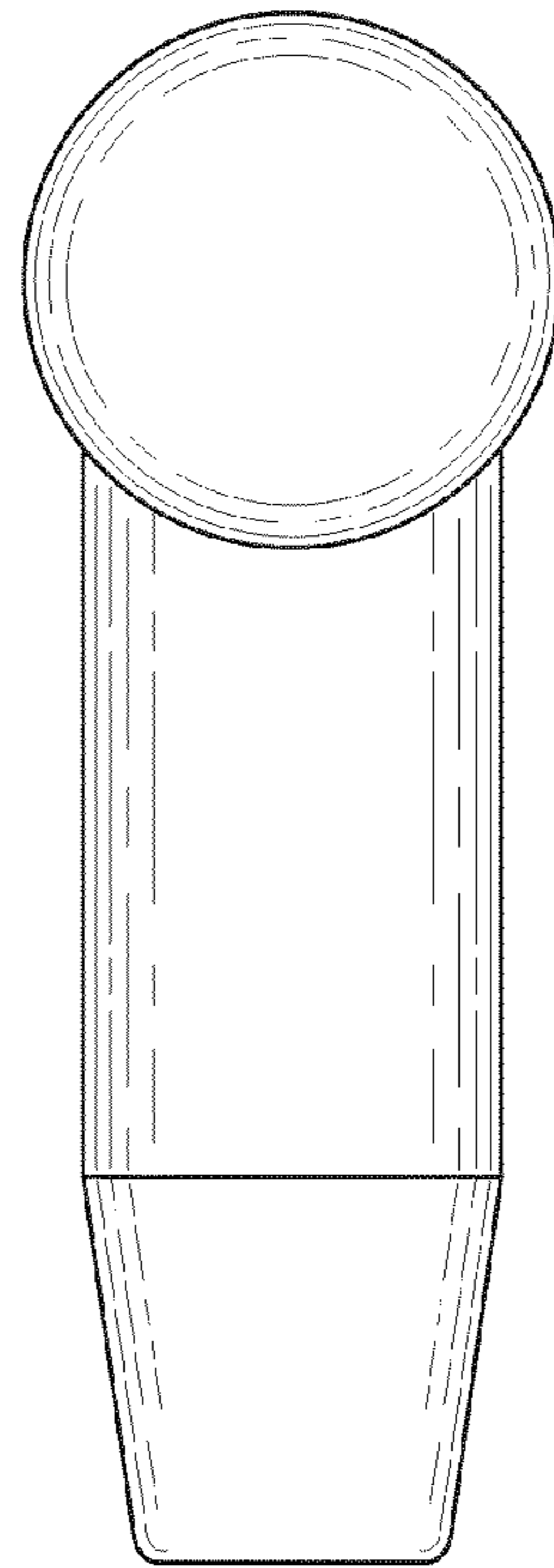
**FIG. 1**



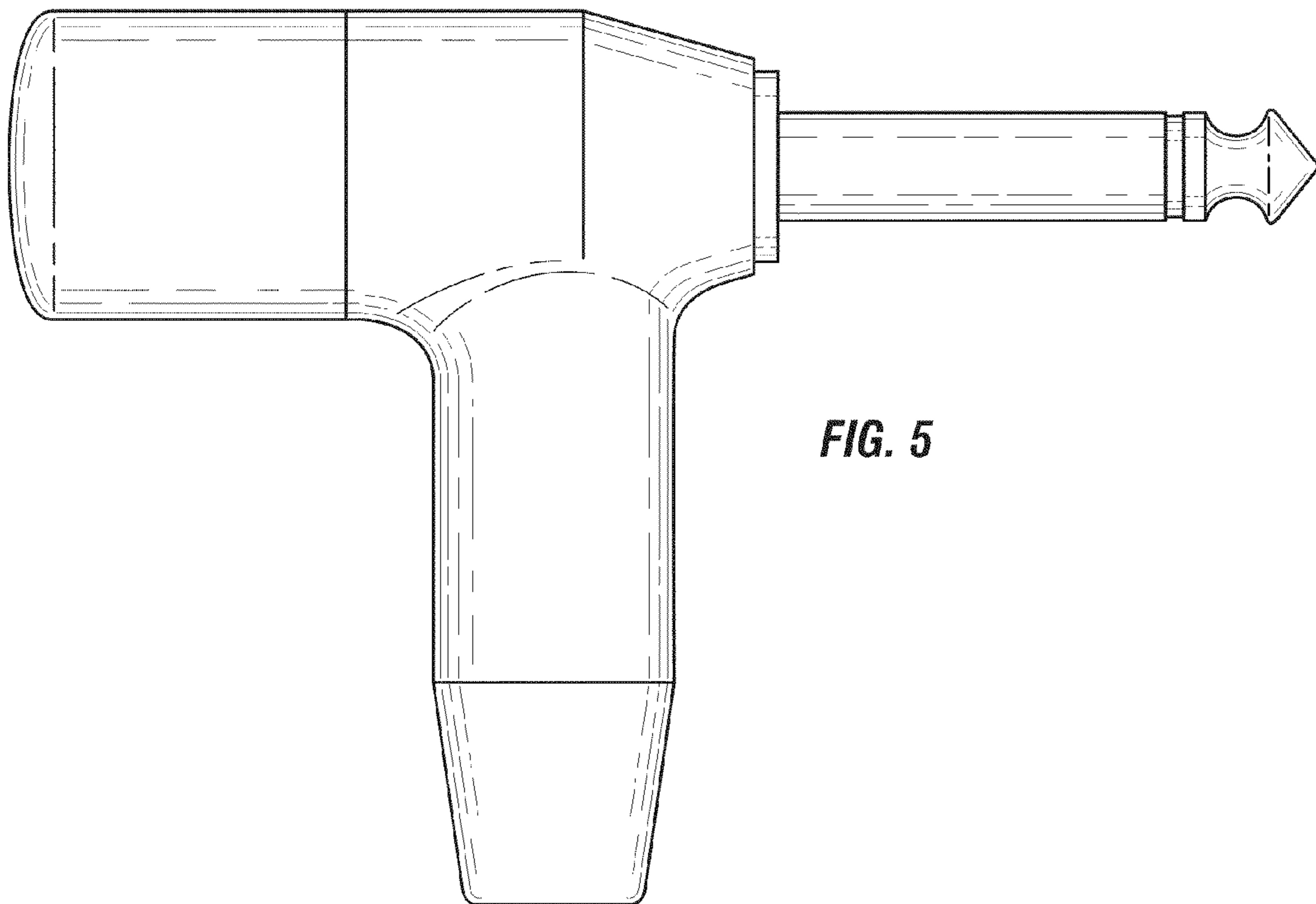
**FIG. 2**



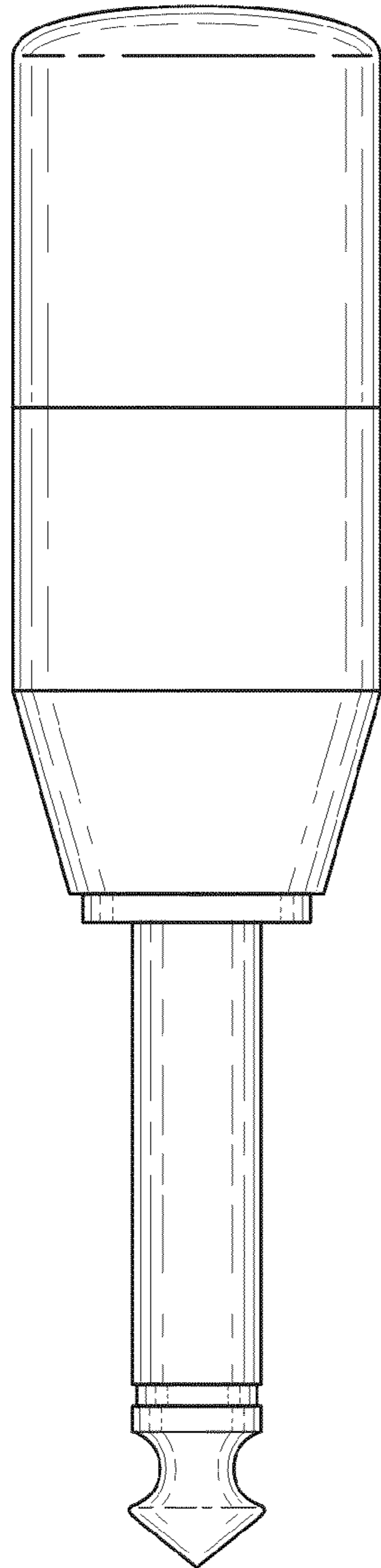
**FIG. 3**



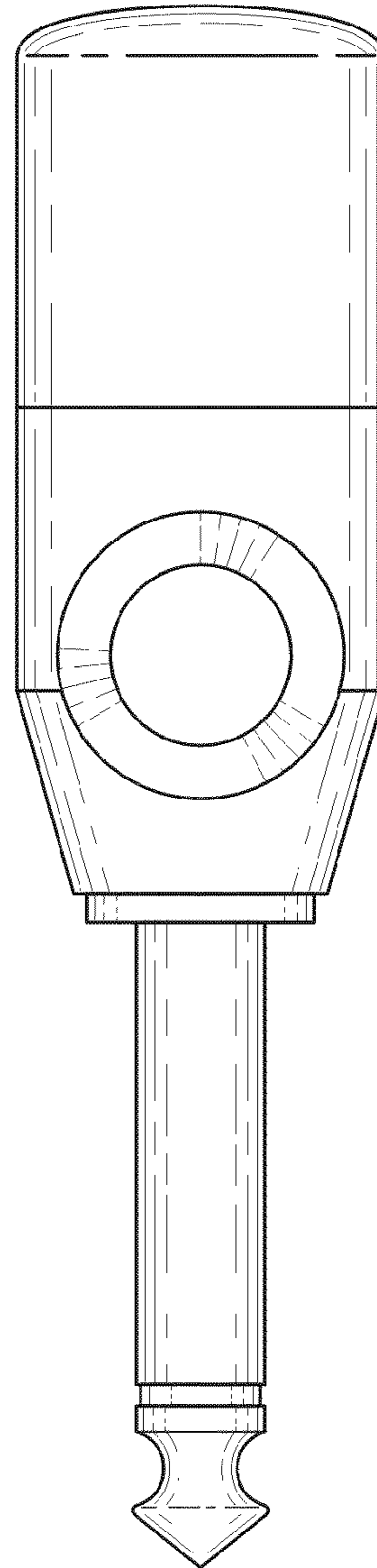
**FIG. 4**



**FIG. 5**



**FIG. 6**



**FIG. 7**