



US00D650739S

(12) **United States Design Patent**
Cai

(10) **Patent No.:** **US D650,739 S**

(45) **Date of Patent:** **** *Dec. 20, 2011**

(54) **DIGITAL INVERTER GENERATOR**

(76) Inventor: **Xiao Ping Cai**, Ontario, CA (US)

(*) Notice: This patent is subject to a terminal disclaimer.

(**) Term: **14 Years**

(21) Appl. No.: **29/314,162**

(22) Filed: **Mar. 9, 2009**

(51) **LOC (9) Cl.** **13-01**

(52) **U.S. Cl.** **D13/116**

(58) **Field of Classification Search** D13/116,
D13/112, 114, 122; 290/1 A, 1 B; 307/68,
307/153; 310/43, 47, 50, 51, 60 R, 89, 109;
322/1, 2 R, 87

See application file for complete search history.

(56) **References Cited**

U.S. PATENT DOCUMENTS

D281,492 S *	11/1985	Yaguchi	D13/116
4,859,886 A *	8/1989	Tanaka et al.	310/51
D417,651 S *	12/1999	Ohsumi	D13/116
6,091,160 A *	7/2000	Kouchi et al.	290/1 A
D437,581 S *	2/2001	Aruga et al.	D13/116

D437,825 S *	2/2001	Imai	D13/116
D477,569 S *	7/2003	Iwatate et al.	D13/116
D518,771 S *	4/2006	Xiao	D13/116
D520,948 S *	5/2006	Xiao	D13/116

* cited by examiner

Primary Examiner — Derrick Holland

(74) *Attorney, Agent, or Firm* — Raymond Y. Chan; David and Raymond Patent Firm

(57) **CLAIM**

The ornamental design for a digital inverter generator, as shown and described.

DESCRIPTION

FIG. 1 is a perspective view of digital inverter generator showing my new design.

FIG. 2 is a front view thereof.

FIG. 3 is a rear view thereof.

FIG. 4 is a right end view thereof.

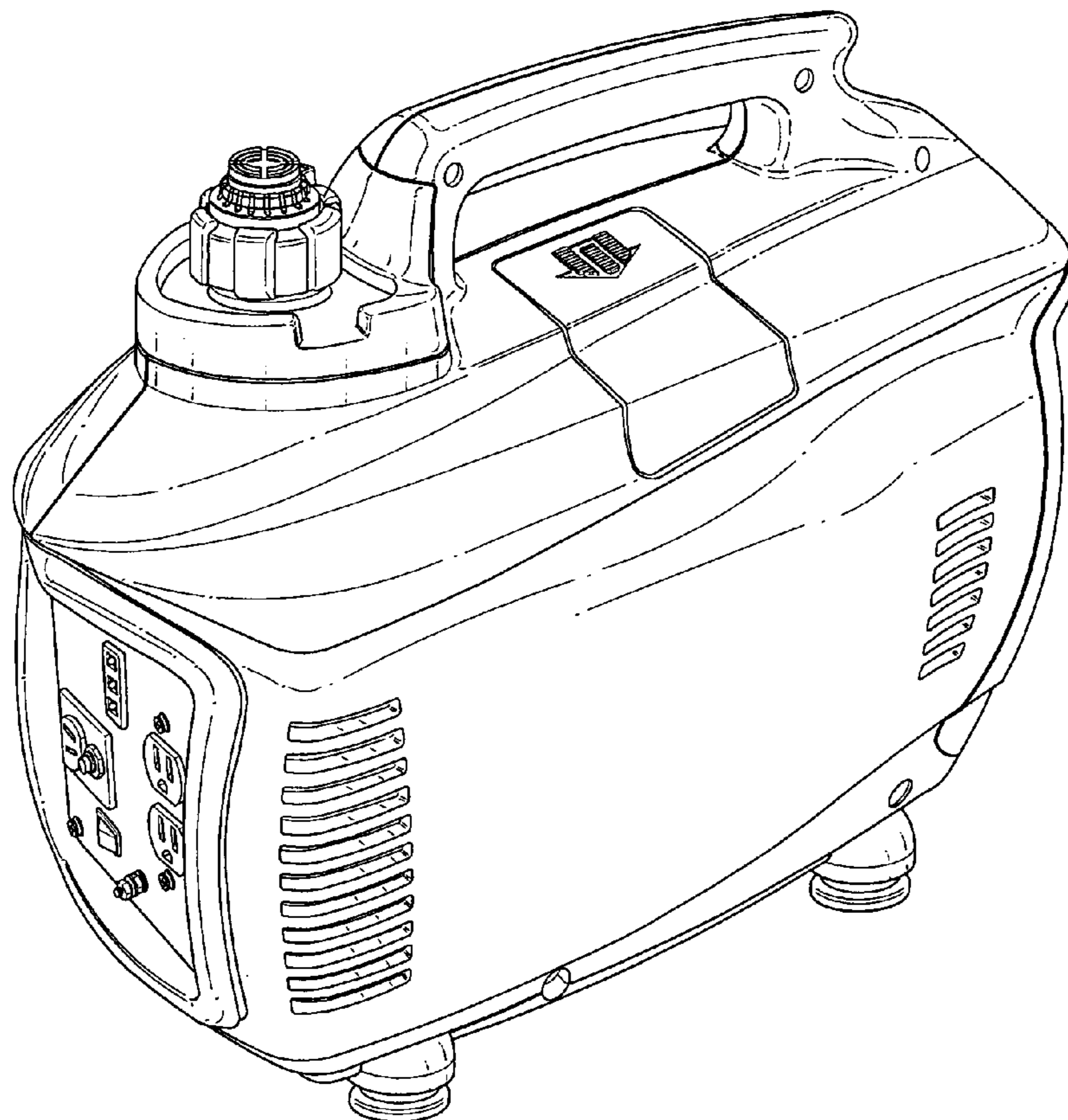
FIG. 5 is a left end view thereof.

FIG. 6 is a top view thereof; and,

FIG. 7 is a bottom view thereof.

The broken lines shown represent unclaimed subject matter and form no part of the claimed design.

1 Claim, 7 Drawing Sheets



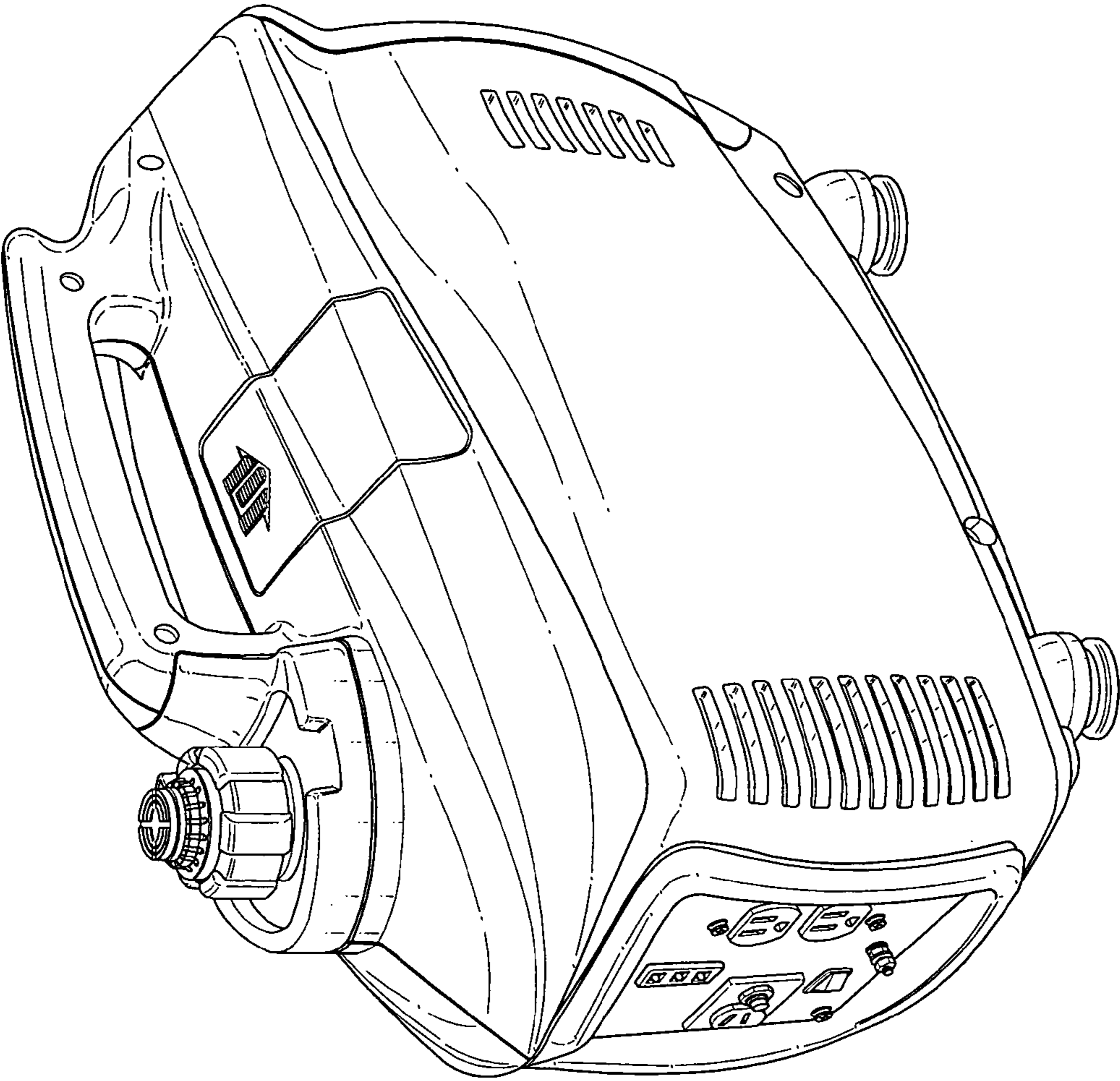


FIG.1

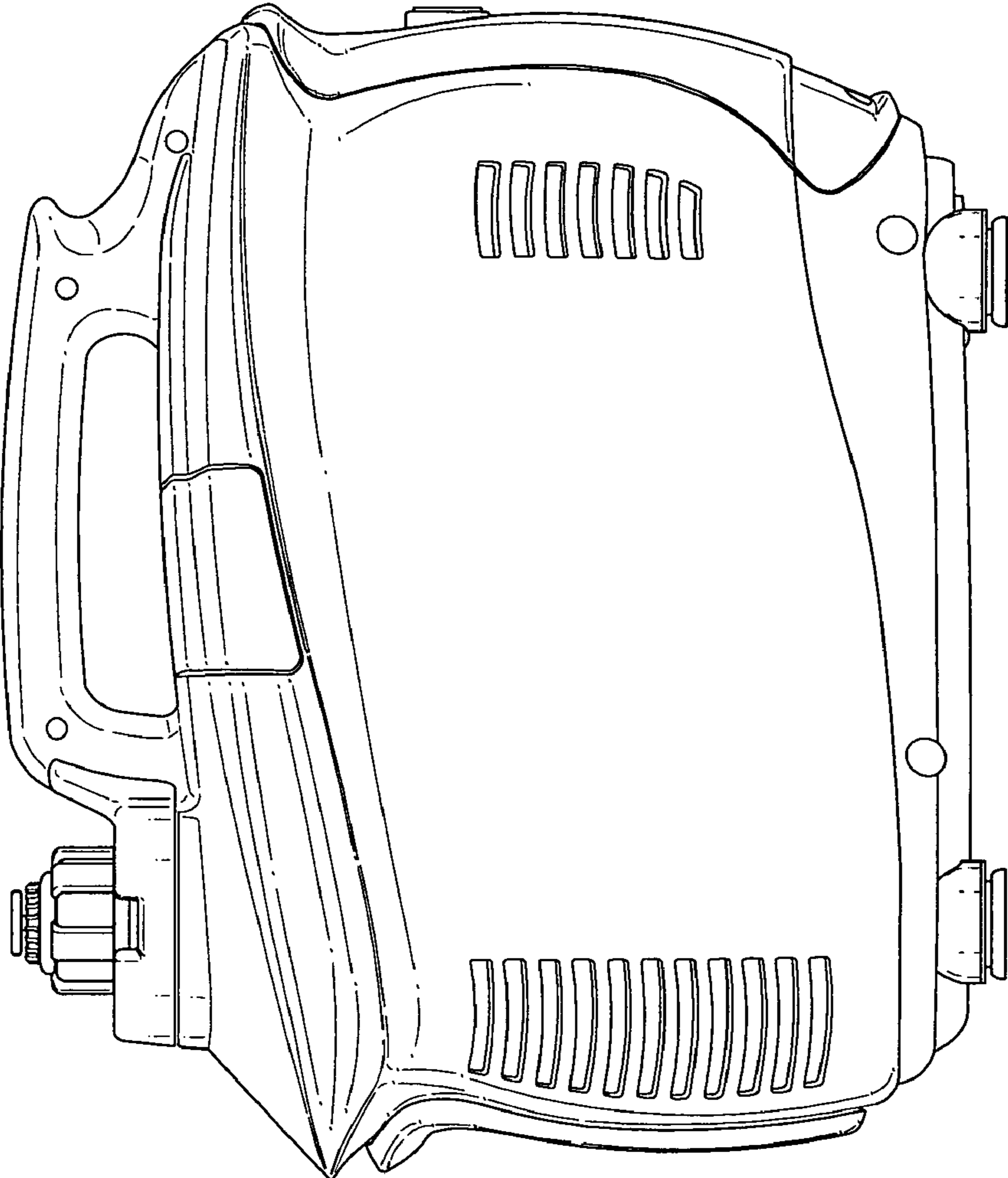


FIG.2

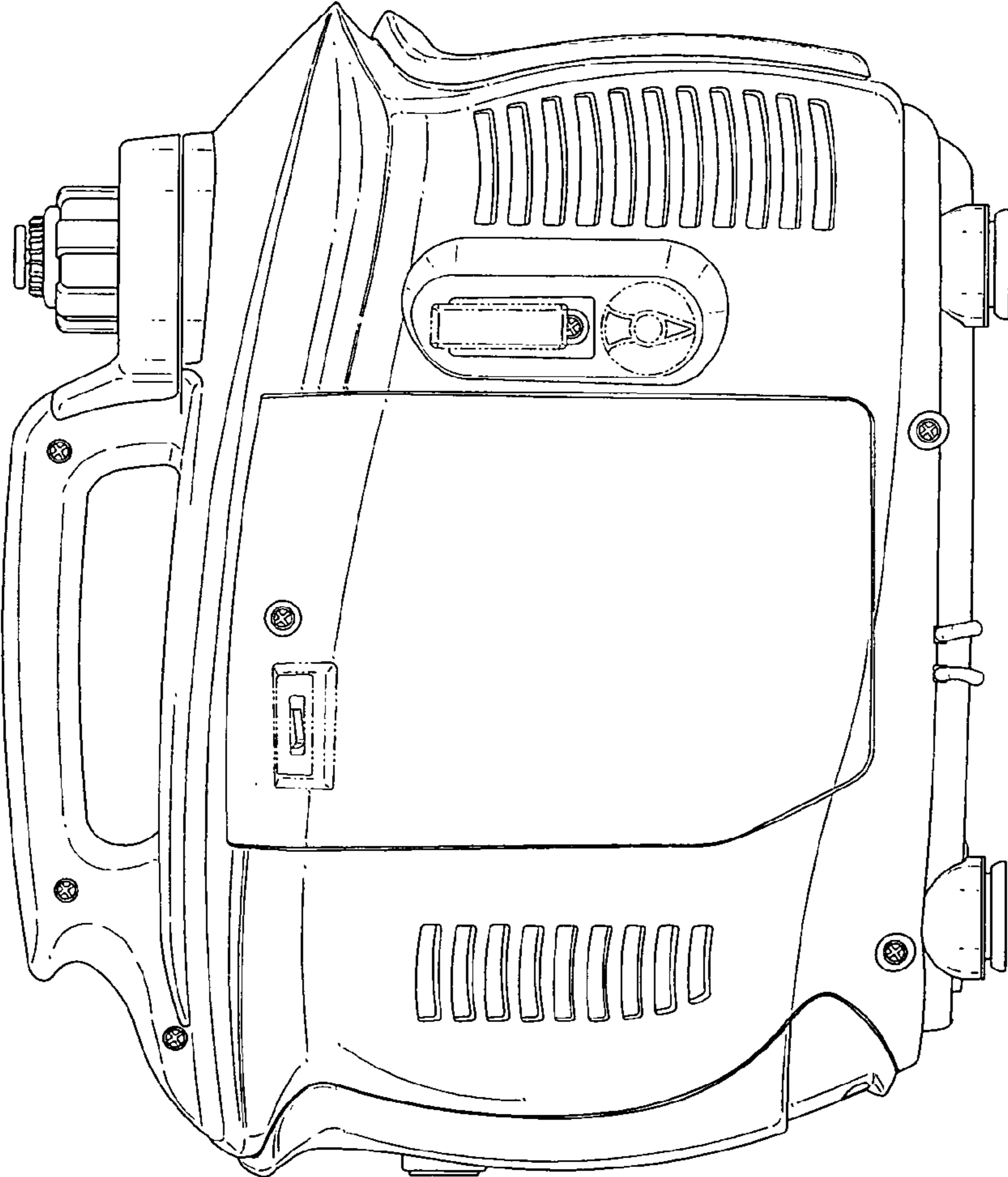


FIG.3

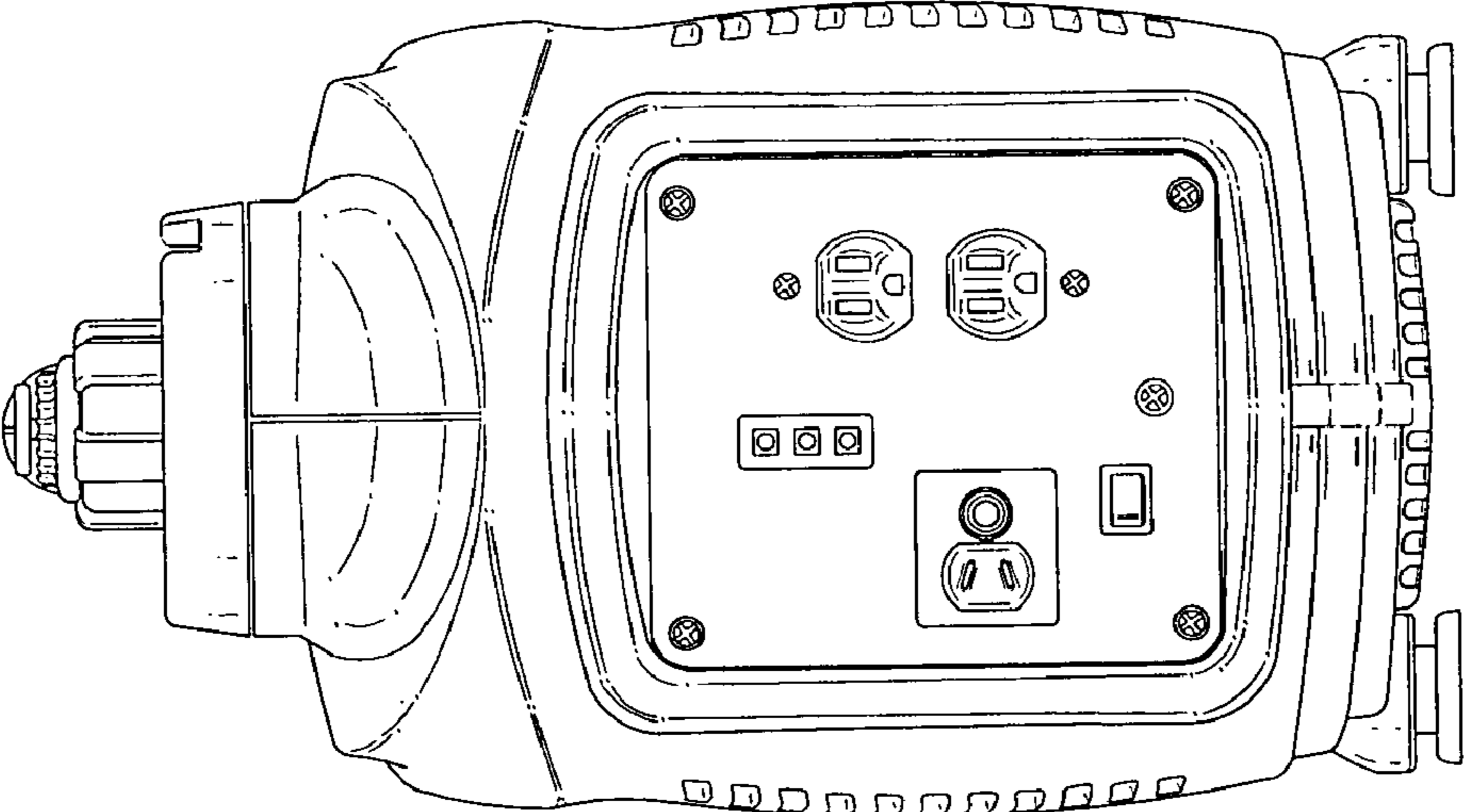


FIG. 4

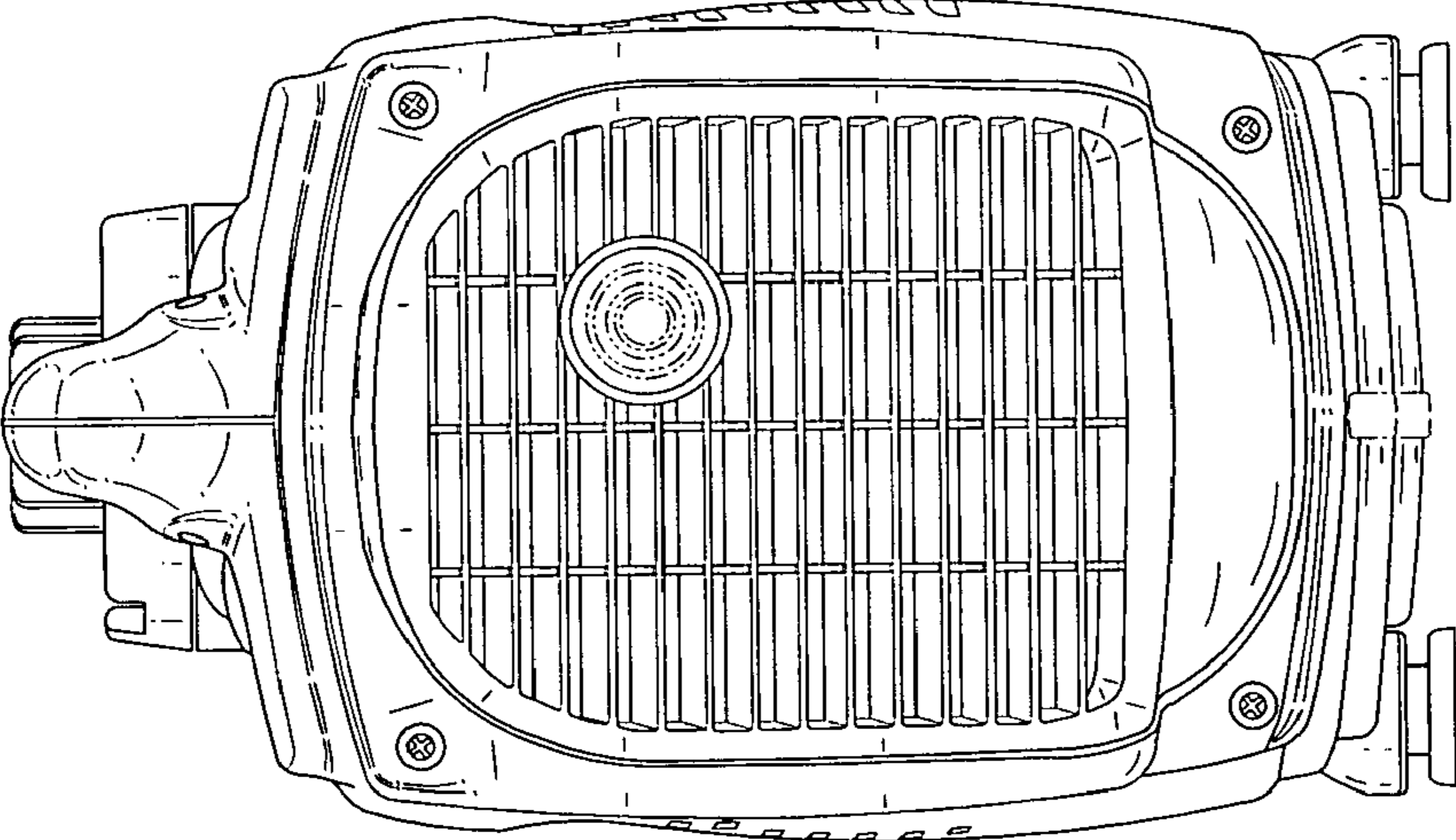


FIG. 5

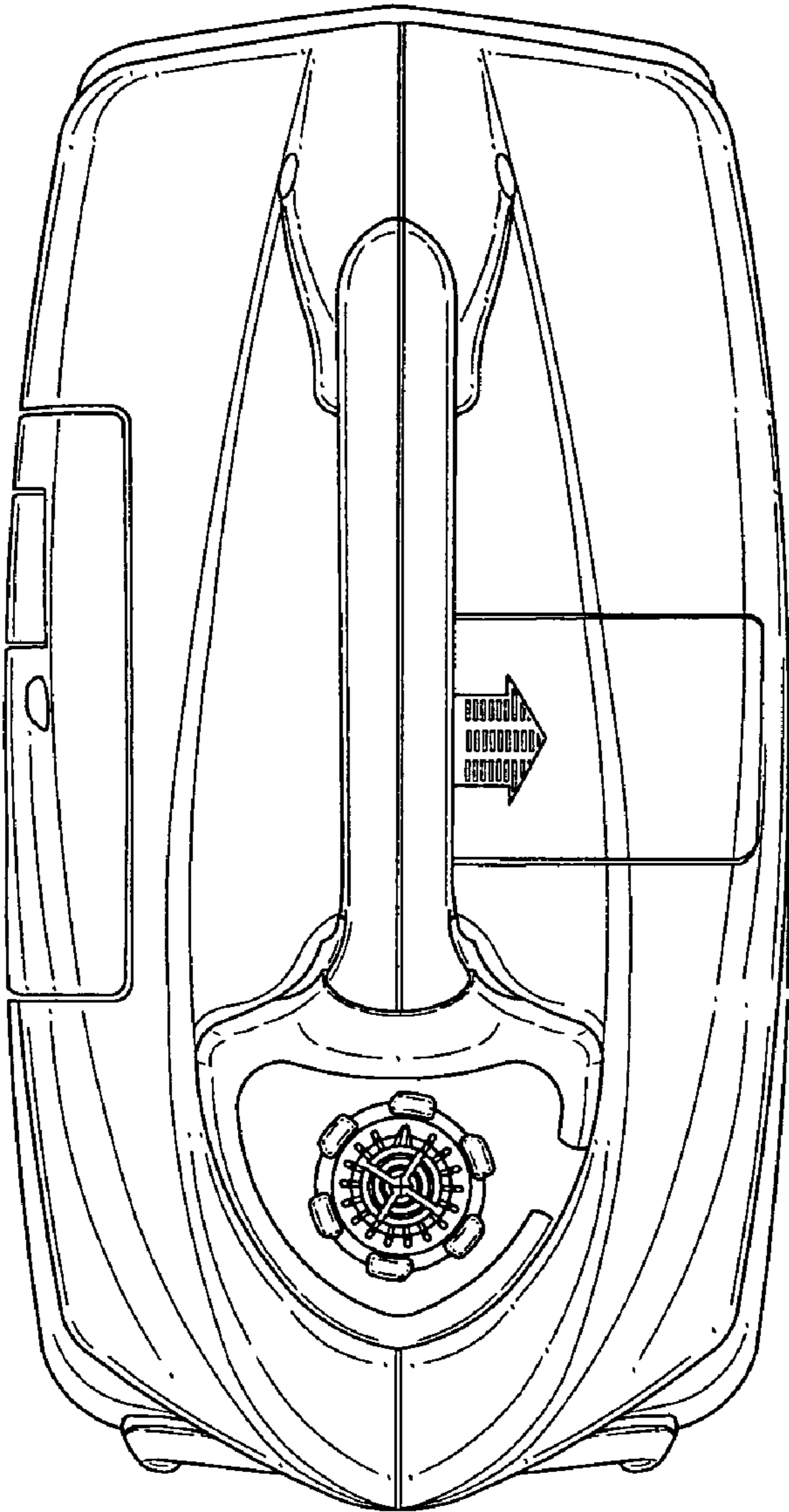


FIG.6

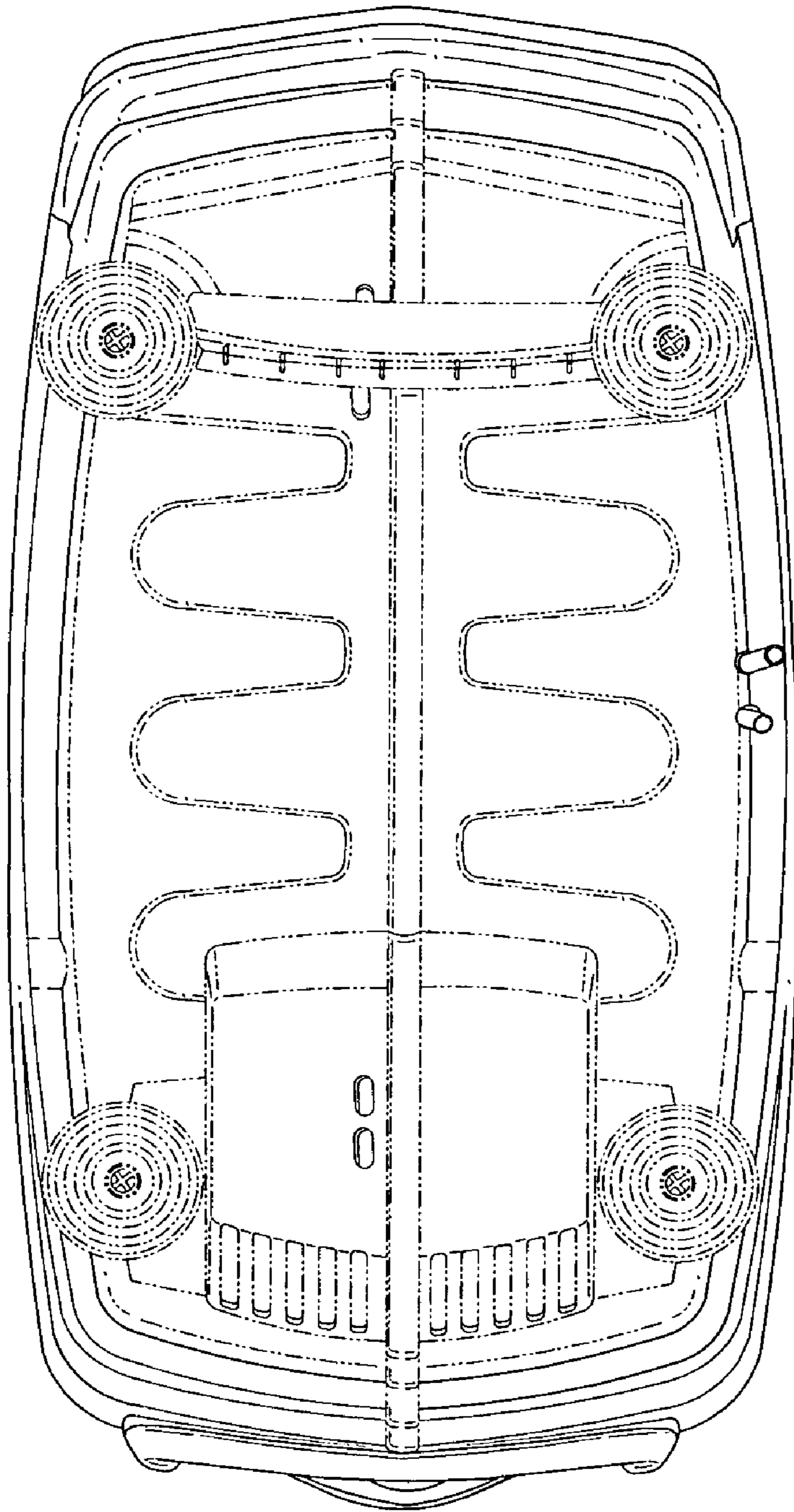


FIG. 7