



US00D650737S

(12) **United States Design Patent**
Hamilton

(10) **Patent No.:** **US D650,737 S**

(45) **Date of Patent:** **** *Dec. 20, 2011**

(54) **PORTABLE BATTERY PACK**

(76) Inventor: **Doug Hamilton**, London (GB)

(**) Term: **14 Years**

(21) Appl. No.: **29/316,357**

(22) Filed: **Sep. 17, 2009**

(51) **LOC (9) Cl.** **13-02**

(52) **U.S. Cl.** **D13/103**

(58) **Field of Classification Search** D13/102–106,
D13/110, 118–119, 184, 199; 429/96–100,
429/163, 176

See application file for complete search history.

(56) **References Cited**

U.S. PATENT DOCUMENTS

D269,088 S *	5/1983	Genaro et al.	D14/137
D402,955 S *	12/1998	Smith et al.	D13/103
D556,678 S *	12/2007	Weinstein et al.	D13/103
D556,679 S *	12/2007	Weinstein et al.	D13/103
D561,093 S *	2/2008	Sween et al.	D13/110
D561,094 S *	2/2008	Sween et al.	D13/110
D569,794 S *	5/2008	Zhang et al.	D13/103
D570,772 S *	6/2008	Mahaffey et al.	D13/110
D583,756 S *	12/2008	Walsh et al.	D13/103
D586,740 S *	2/2009	Song	D13/103

D592,138 S *	5/2009	Mahaffey et al.	D13/123
D593,940 S *	6/2009	Nomi et al.	D13/103
D601,961 S *	10/2009	Mahaffey et al.	D13/123

* cited by examiner

Primary Examiner — Rosemary K Tarcza

(74) *Attorney, Agent, or Firm* — Ronald E. Smith; Smith & Hopen, P.A.

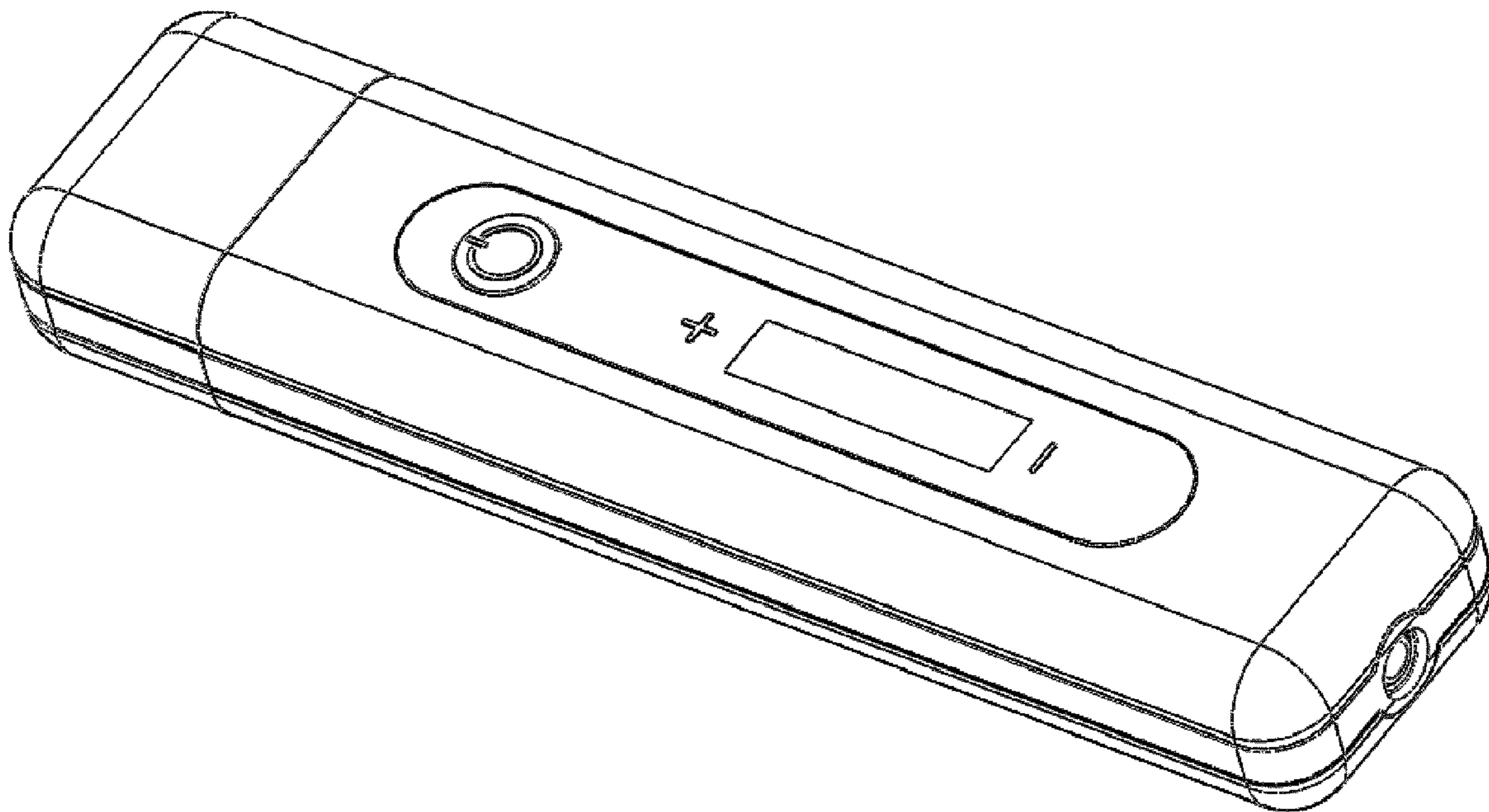
(57) **CLAIM**

The ornamental design for a portable battery pack, as shown and described.

DESCRIPTION

FIG. 1 is a top perspective view of a portable battery pack according to the present design;
 FIG. 2 is a front elevational view of a portable battery pack according to the present design;
 FIG. 3 is a rear elevational view of a portable battery pack according to the present design;
 FIG. 4 is a right side elevational view of a portable battery pack according to the present design;
 FIG. 5 is an enlarged top plan view of a portable battery pack according to the present design; and,
 FIG. 6 is an enlarged bottom plan view of a portable battery pack according to the present design.

1 Claim, 5 Drawing Sheets



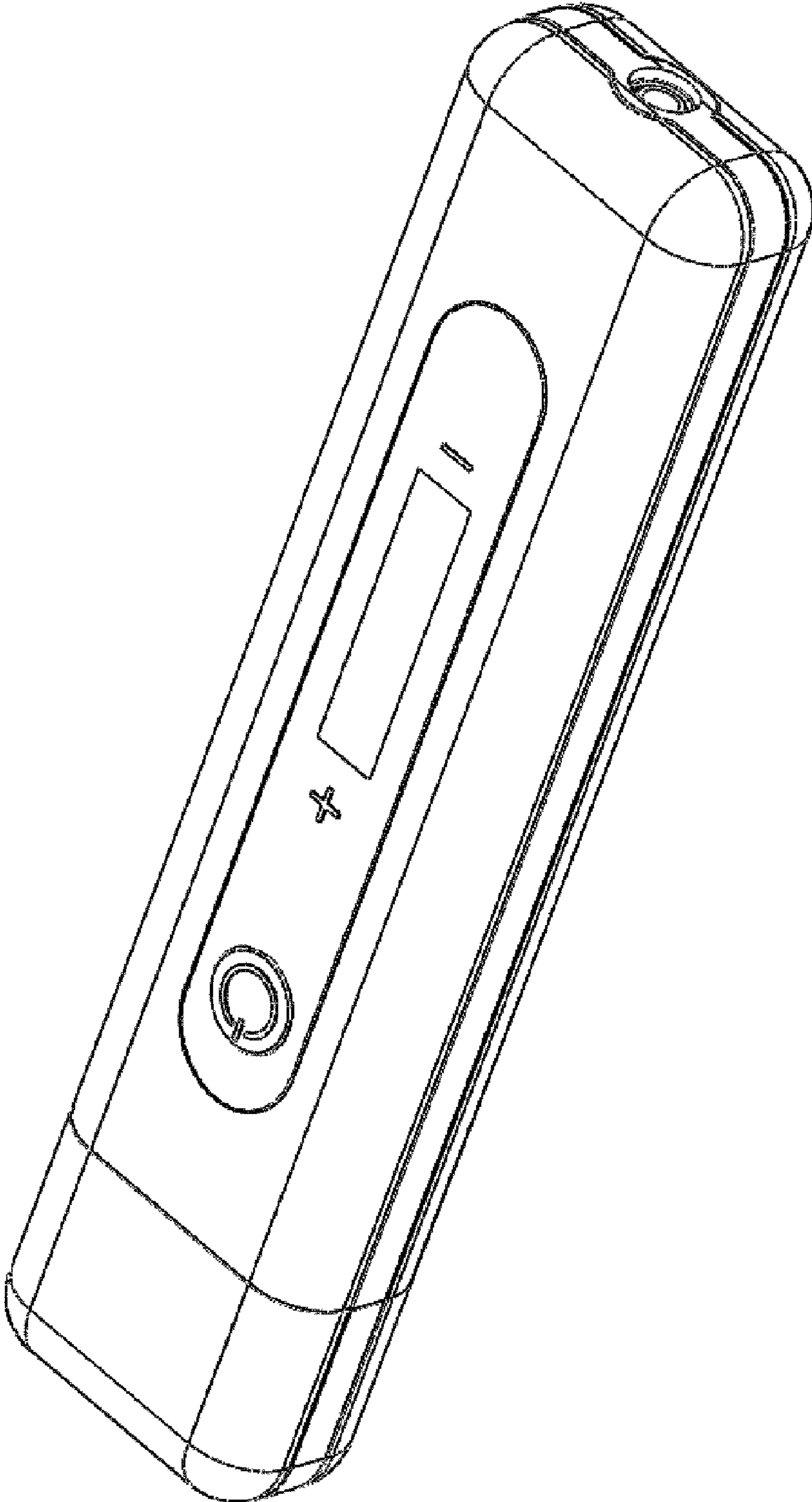


Fig. 1

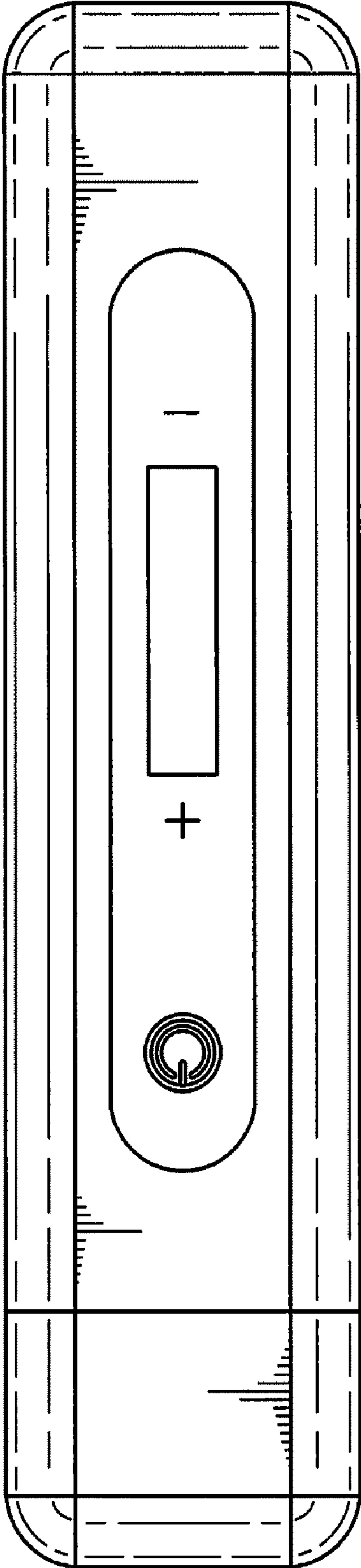


FIG. 2

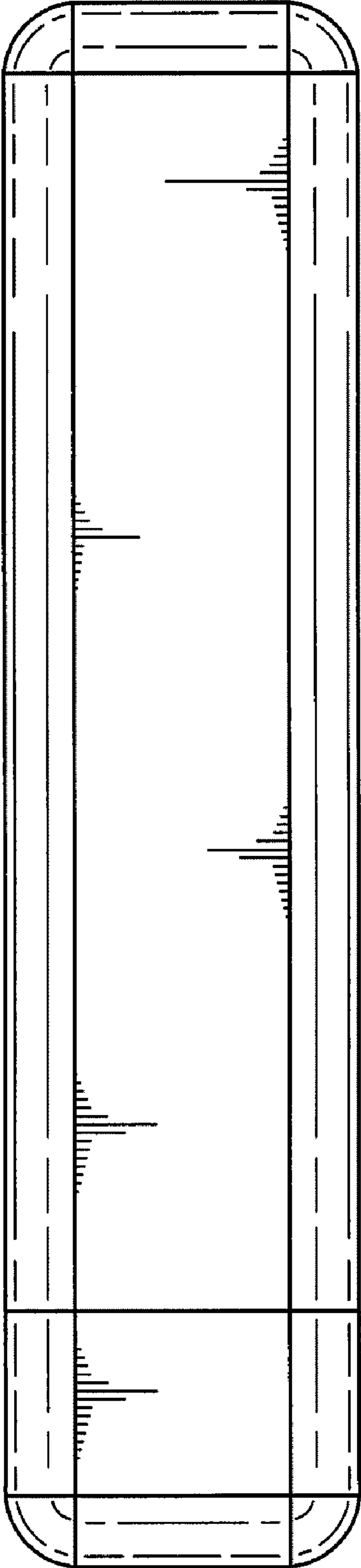


FIG. 3

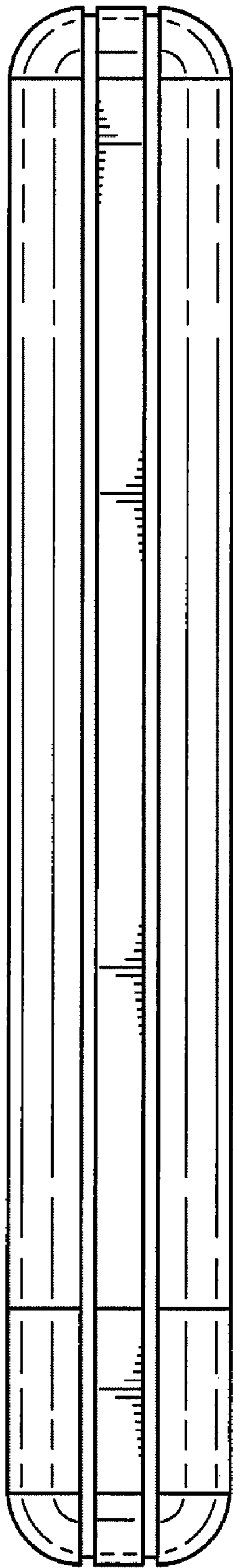


FIG. 4

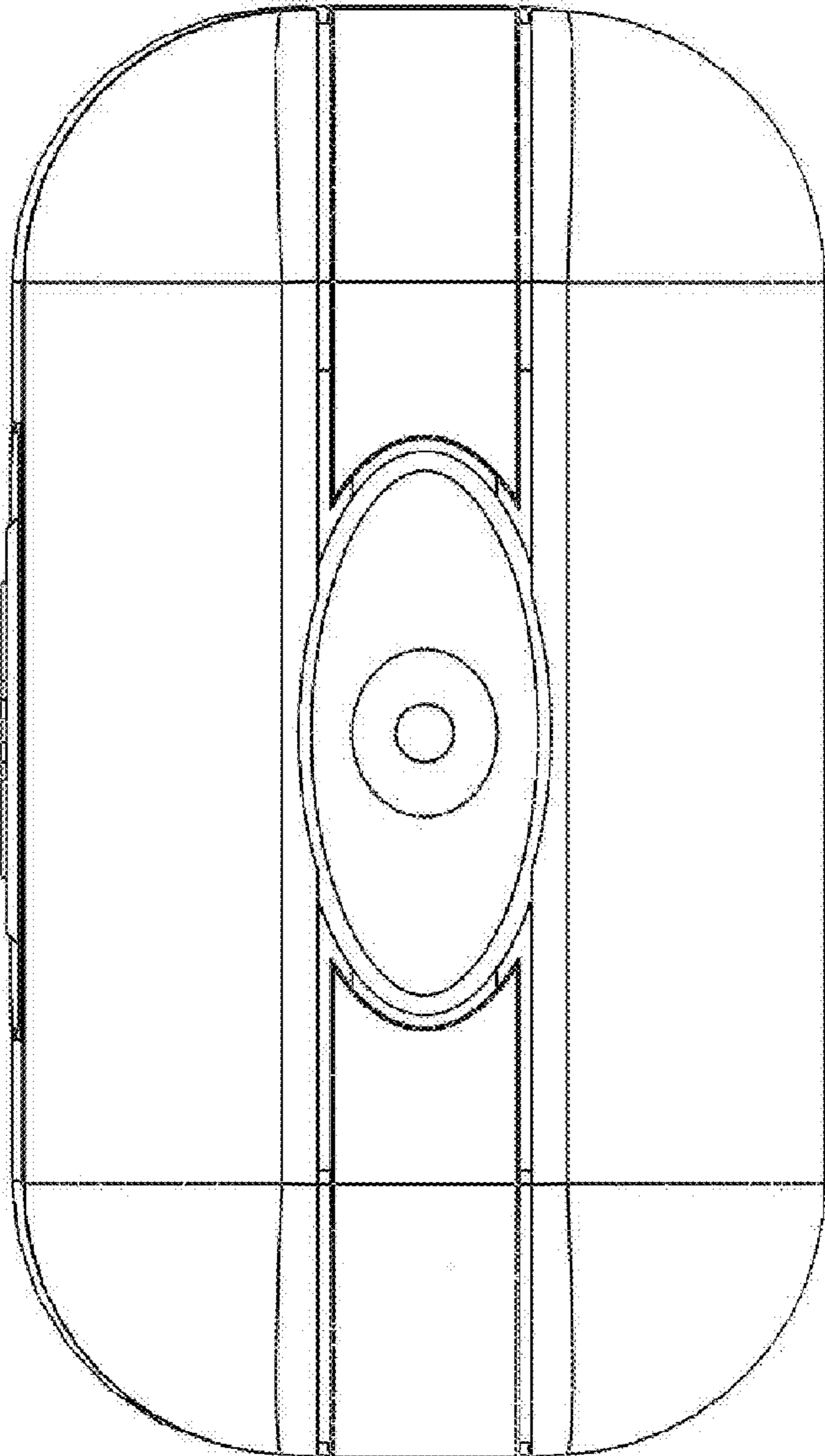


Fig. 5

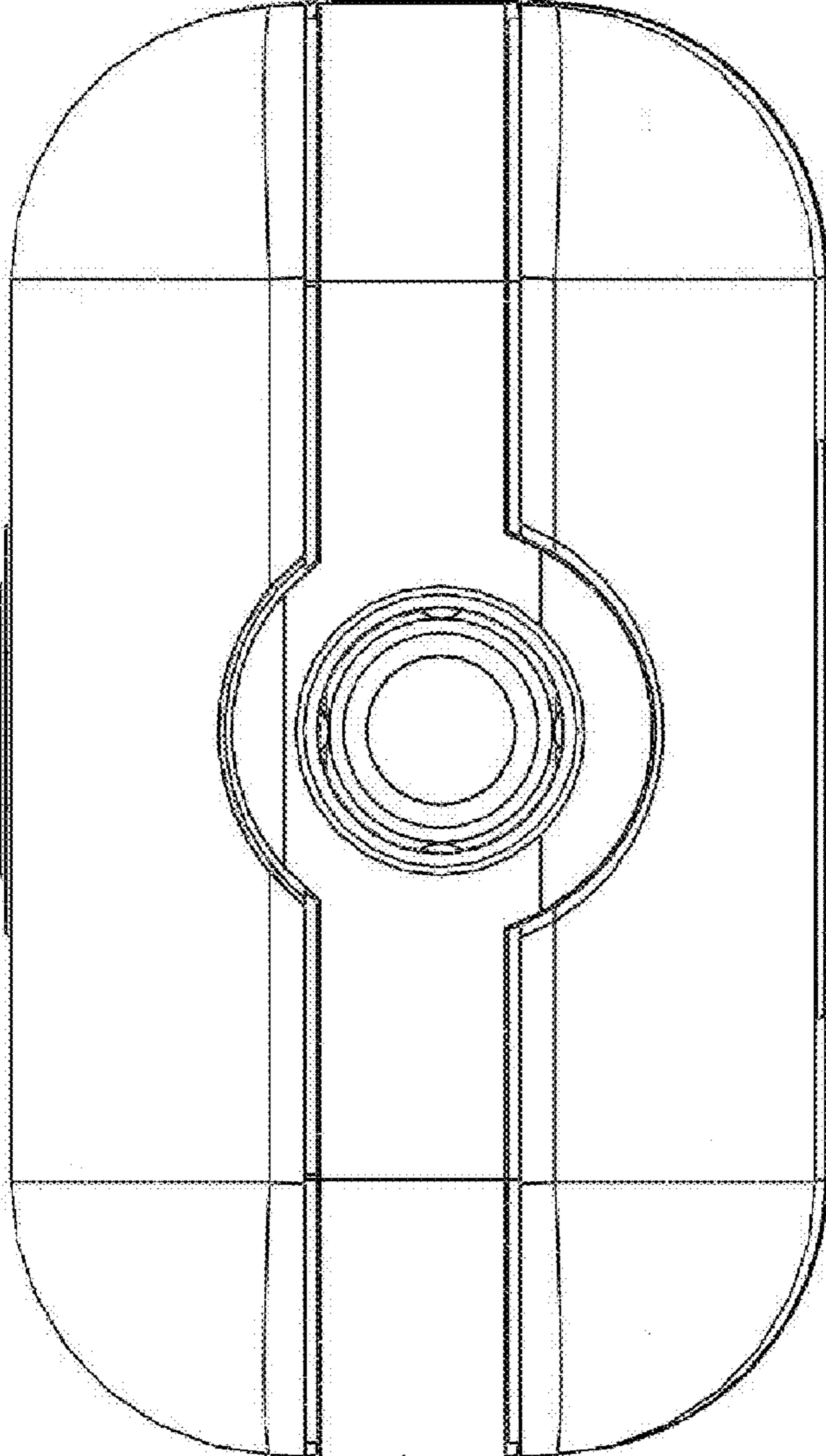


Fig. 6