



US00D650732S

(12) **United States Design Patent**
von Lignau

(10) **Patent No.:** **US D650,732 S**

(45) **Date of Patent:** **** *Dec. 20, 2011**

(54) **WATERCRAFT HULL**

(76) Inventor: **Alexander von Lignau**, Fermathe (HT)

(*) Notice: This patent is subject to a terminal disclaimer.

(**) Term: **14 Years**

(21) Appl. No.: **29/352,691**

(22) Filed: **Dec. 23, 2009**

(51) **LOC (9) Cl.** **12-06**

(52) **U.S. Cl.** **D12/317**

(58) **Field of Classification Search** D12/300,
D12/307, 317, 316, 302, 303, 304, 310–314;
114/355–358, 39.11, 39.15, 39.21–39.32,
114/61.1, 61.2, 61.32, 61.33, 62, 271, 273,
114/288–291

See application file for complete search history.

(56) **References Cited**

U.S. PATENT DOCUMENTS

D607,805 S * 1/2010 Chittum et al. D12/313

* cited by examiner

Primary Examiner — Lisa P Lichtenstein

(74) *Attorney, Agent, or Firm* — Mark R. Malek, Esq.; Zies Widerman & Malek

(57) **CLAIM**

A single claim the ornamental design for a watercraft hull, as shown and described.

DESCRIPTION

FIG. 1 is a bottom perspective view of a watercraft hull according to the present invention.

FIG. 2 is a bottom plan view of a watercraft hull according to the present invention.

FIG. 3 is an enlarged front elevation view of a watercraft hull according to the present invention.

FIG. 4 is an enlarged rear elevation view of a watercraft hull according to the present invention.

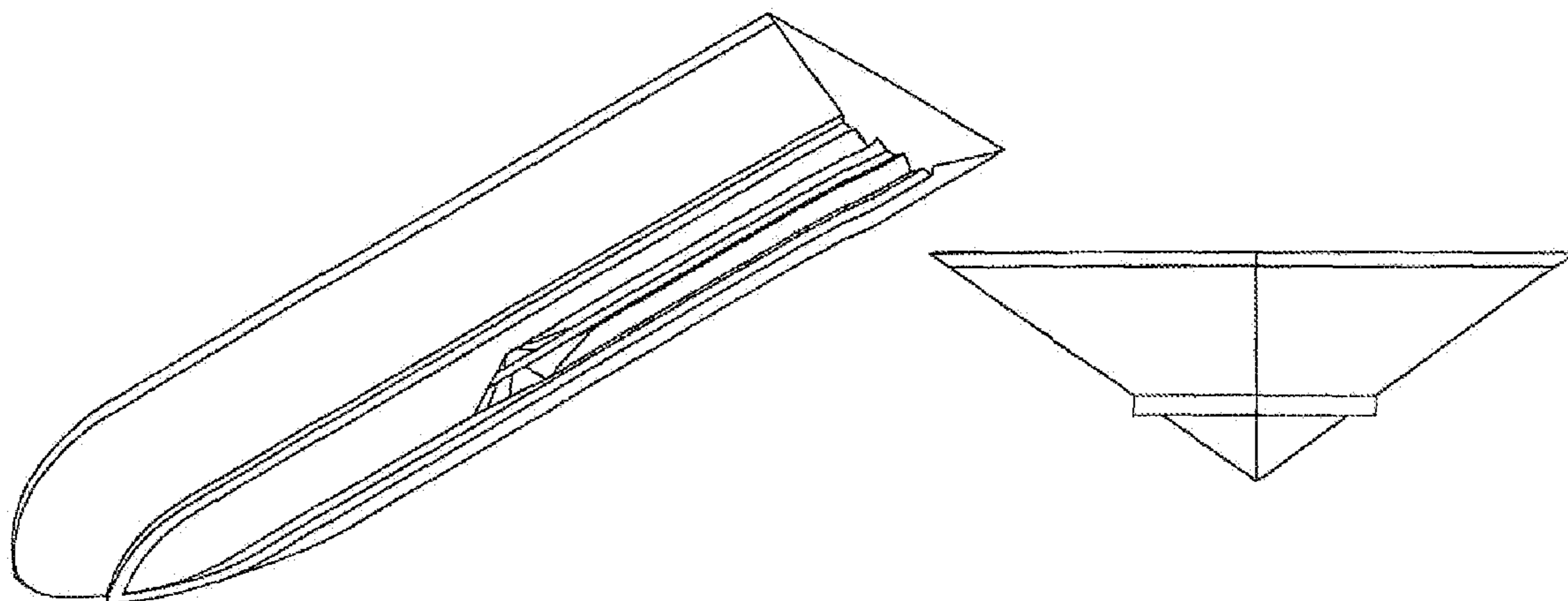
FIG. 5 is a side elevation view of a watercraft hull according to the present invention.

FIG. 6 is a slightly enlarged cross sectional view of a watercraft hull according to the present invention taken through line 6—6 in FIG. 5.

FIG. 7 is a slightly enlarged cross sectional view of a watercraft hull according to the present invention taken through line 7—7 in FIG. 5; and,

FIG. 8 is a cross sectional view of a watercraft hull according to the present invention taken through line 8—8 in FIG. 2.

1 Claim, 4 Drawing Sheets



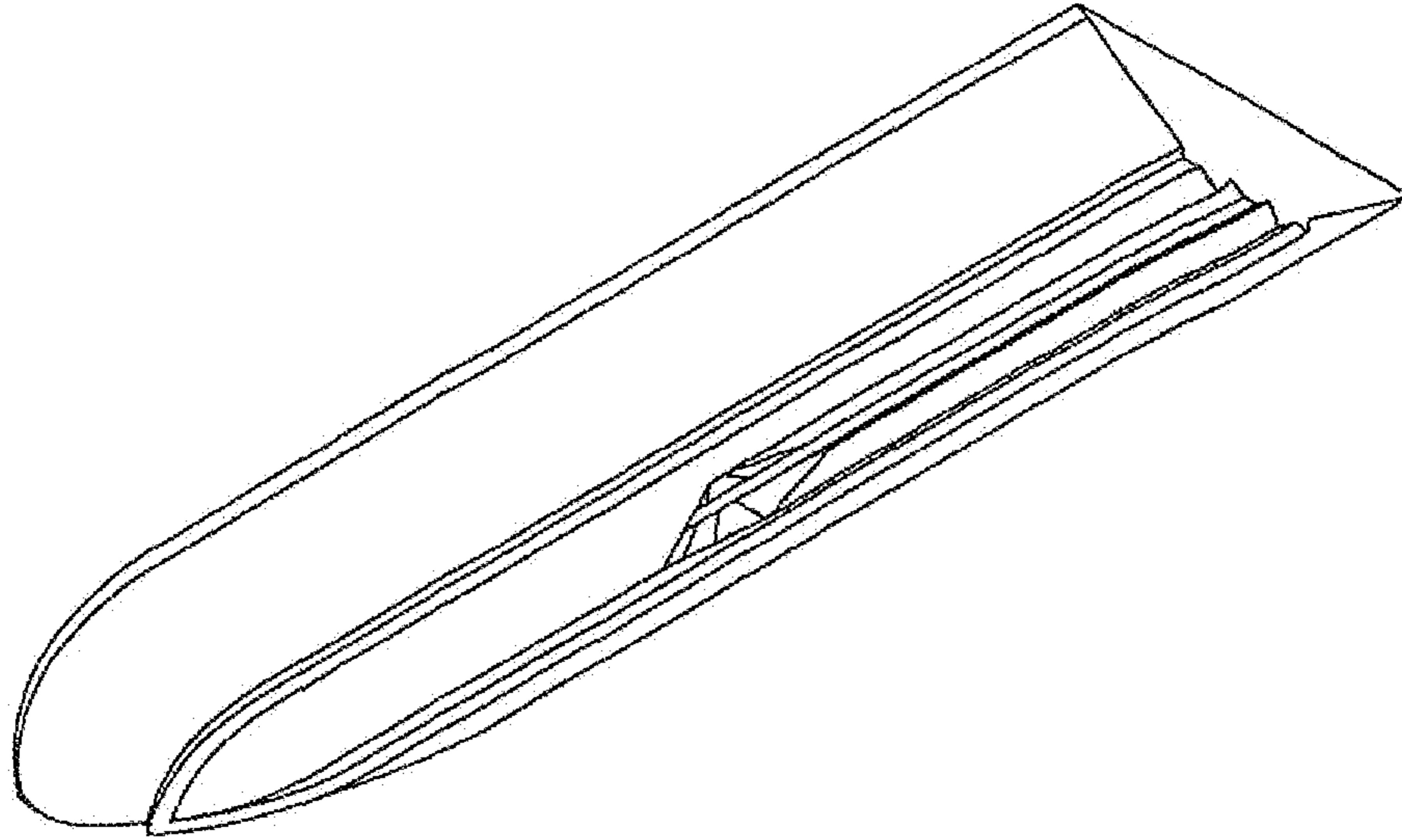


Fig. 1

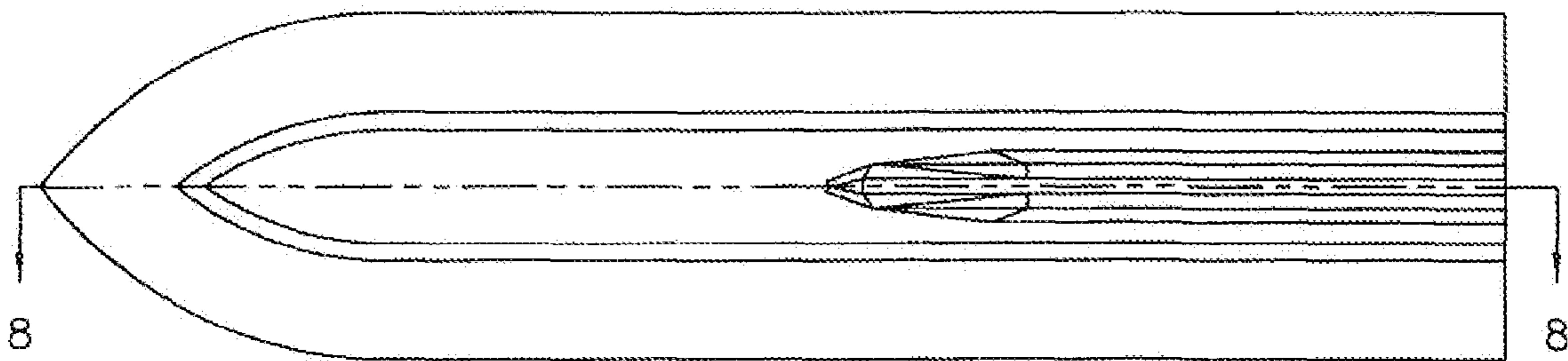


Fig. 2

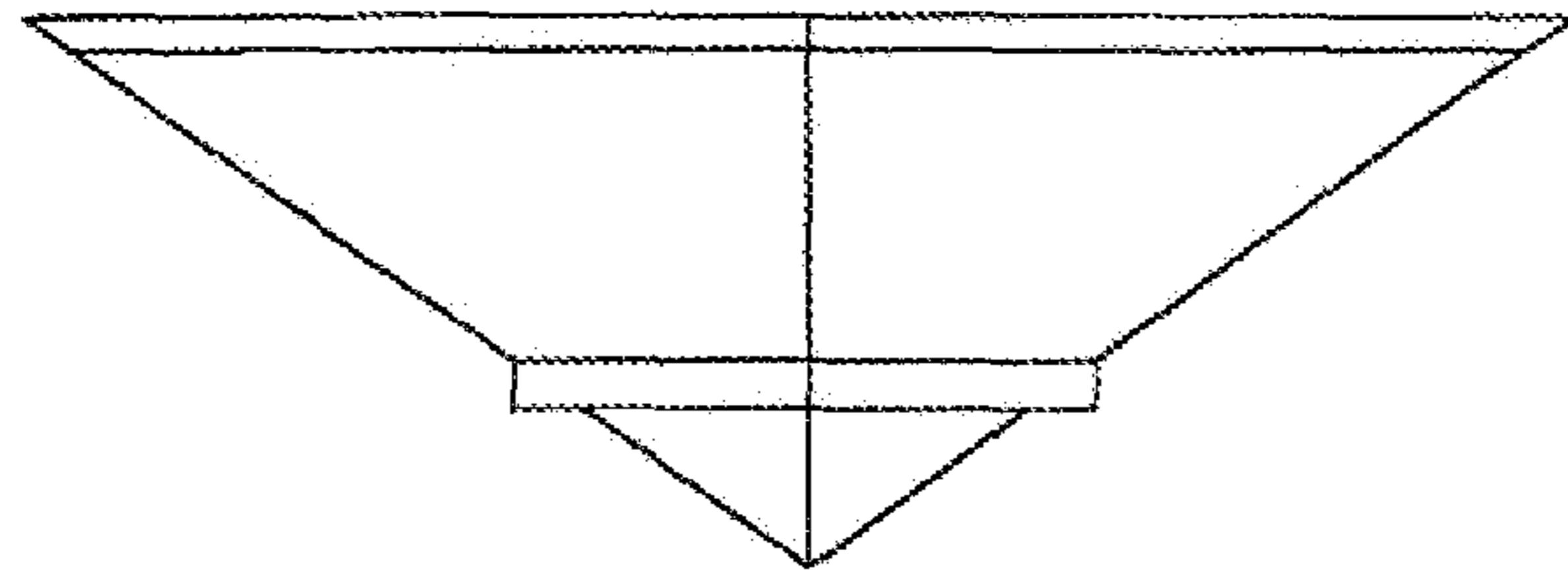


Fig. 3

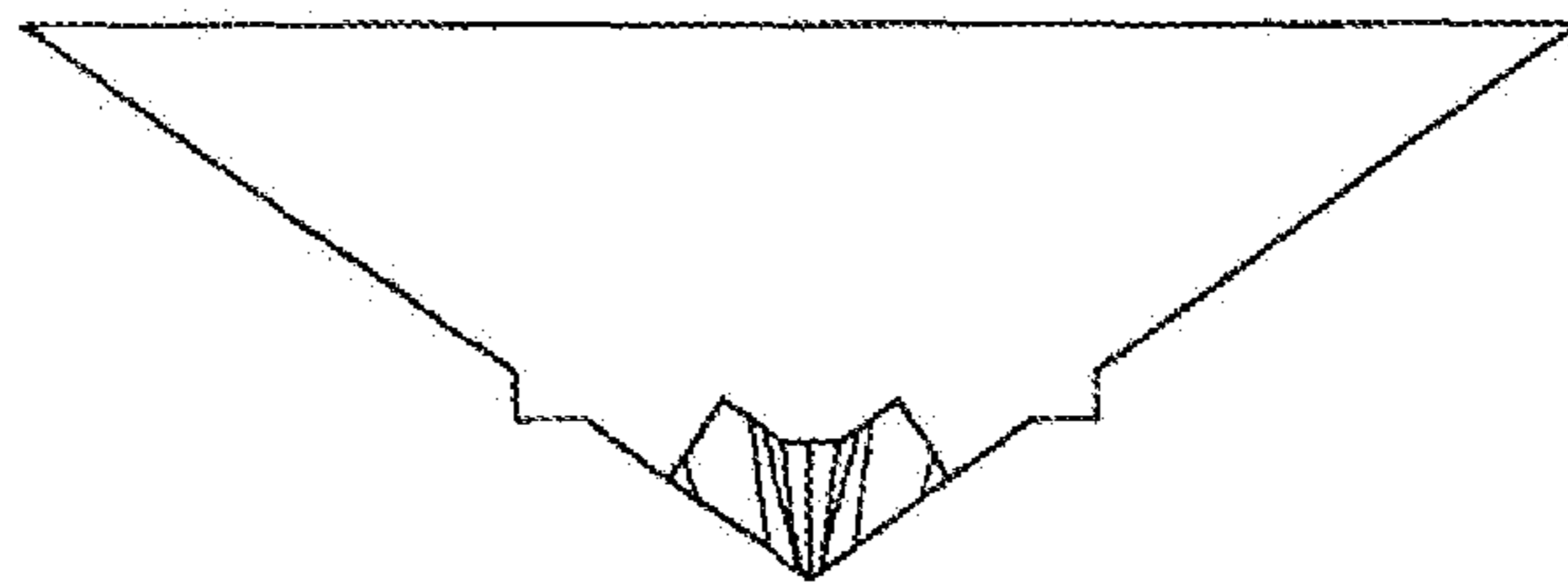


Fig. 4

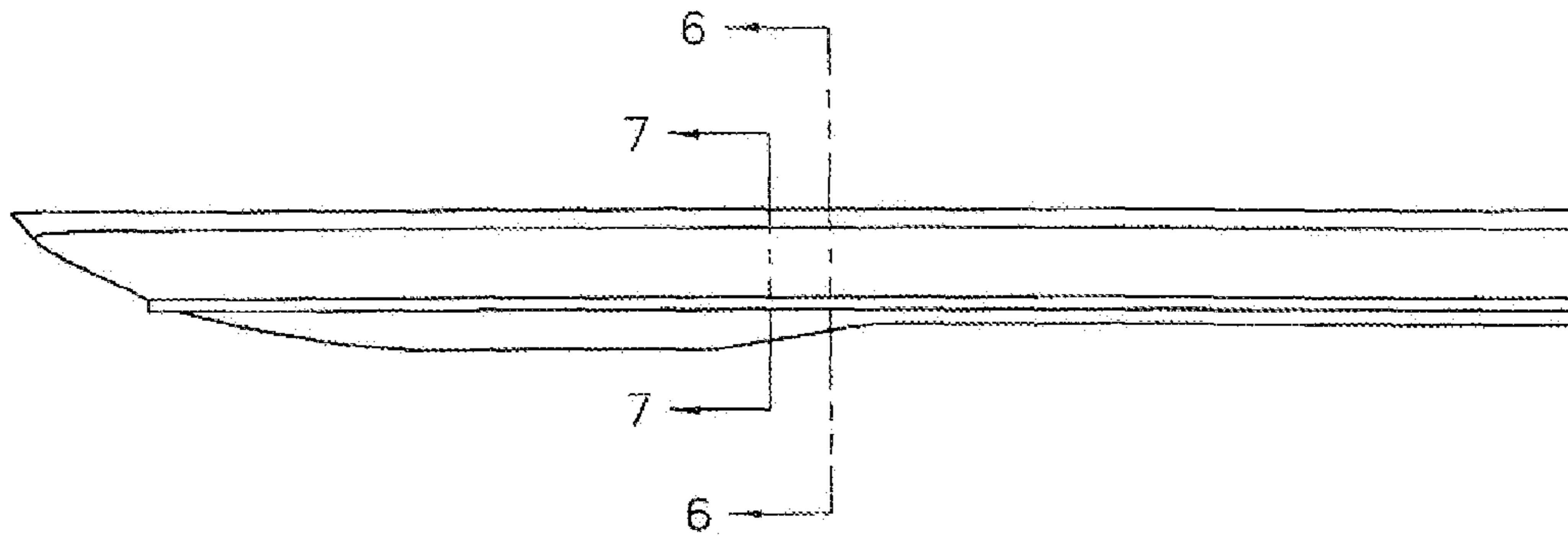


Fig. 5

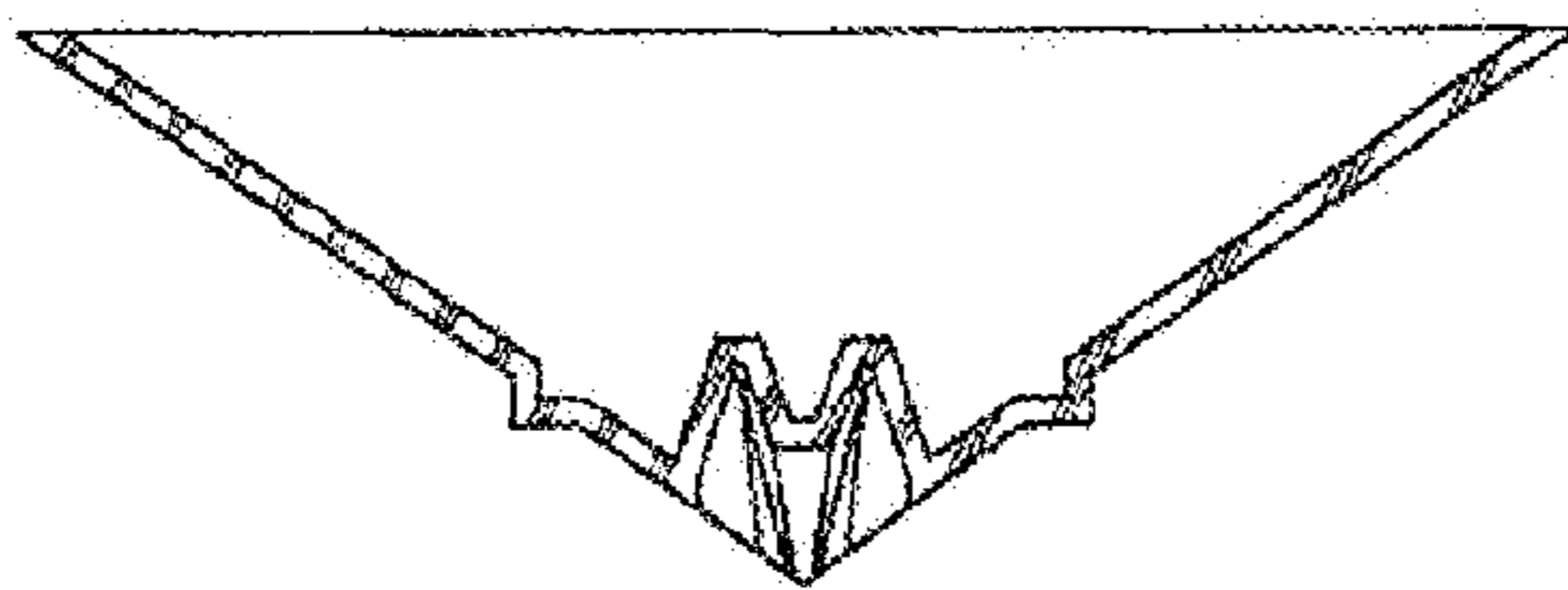


Fig. 6

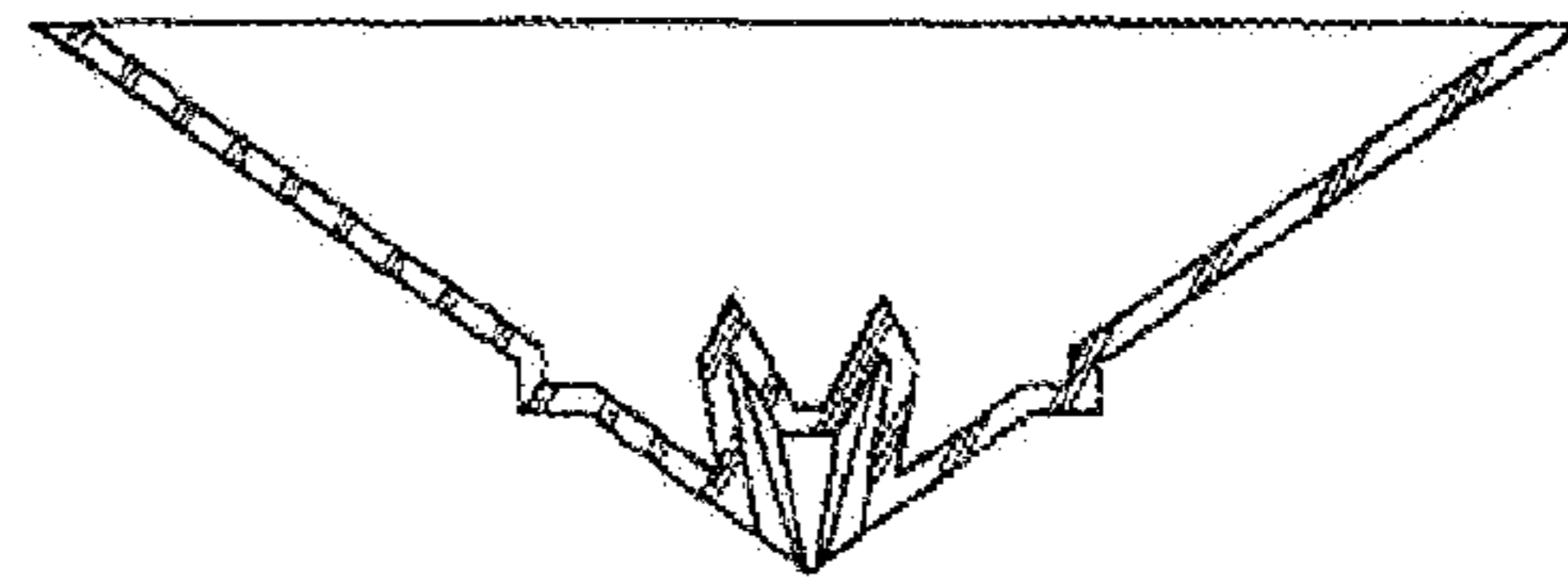


Fig. 7

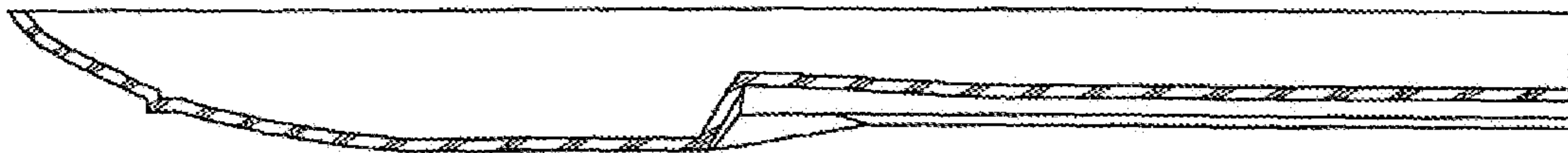


Fig. 8