



US00D650724S

(12) **United States Design Patent**
Chiang

(10) **Patent No.:** **US D650,724 S**

(45) **Date of Patent:** **** *Dec. 20, 2011**

(54) **ELECTRIC BICYCLE**

(76) Inventor: **Chung Chi Chiang**, Taipei (TW)

(**) Term: **14 Years**

(21) Appl. No.: **29/376,971**

(22) Filed: **Oct. 14, 2010**

(51) **LOC (9) Cl.** **12-11**

(52) **U.S. Cl.** **D12/111**

(58) **Field of Classification Search** D12/111,
D12/110; 180/205–207, 65.1, 65.6, 216,
180/227, 220, 230, 65.31, 217–219, 221–224,
180/208; 280/274–280, 281.1, 288.1–288.3,
280/283–288

See application file for complete search history.

(56) **References Cited**

U.S. PATENT DOCUMENTS

D466,839	S *	12/2002	Ou	D12/110
6,588,787	B2 *	7/2003	Ou	280/287
6,629,574	B2 *	10/2003	Turner	180/206
D503,362	S *	3/2005	Zhu et al.	D12/111
7,055,842	B1 *	6/2006	Lin	280/278
D529,843	S *	10/2006	Pizzi	D12/111
D621,302	S *	8/2010	Tanaka et al.	D12/111

* cited by examiner

Primary Examiner — Susan M Lee

Assistant Examiner — Linda G. Brooks

(57) **CLAIM**

The ornamental design for an electric bicycle, as shown and described.

DESCRIPTION

FIG. 1 is a perspective view of an electric bicycle showing my new design;

FIG. 2 is a right side view of the electric bicycle shown in FIG. 1;

FIG. 3 is a left side view of the electric bicycle shown in FIG. 1;

FIG. 4 is a bottom view of the electric bicycle shown in FIG. 1.

FIG. 5 is a top view of the electric bicycle shown in FIG. 1;

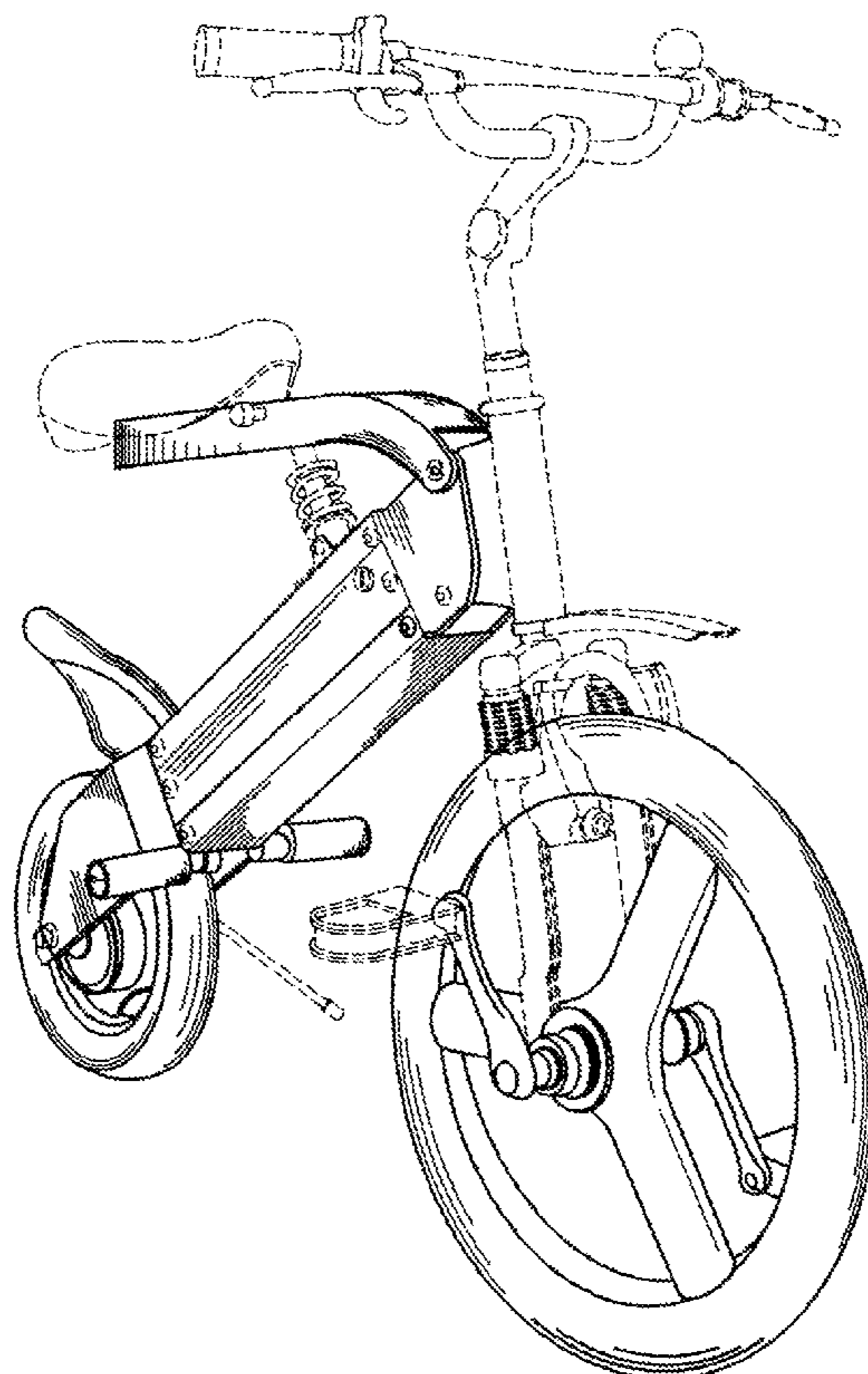
FIG. 6 is a front view of the electric bicycle shown in FIG. 1;

FIG. 7 is a rear view of the electric bicycle shown in FIG. 1; and,

FIG. 8 is a perspective view of the electric bicycle shown in FIG. 1 in a folded configuration.

The broken lines in FIGS. 1-8 illustrate portions of the electric bicycle that form no part of the claimed design.

1 Claim, 8 Drawing Sheets



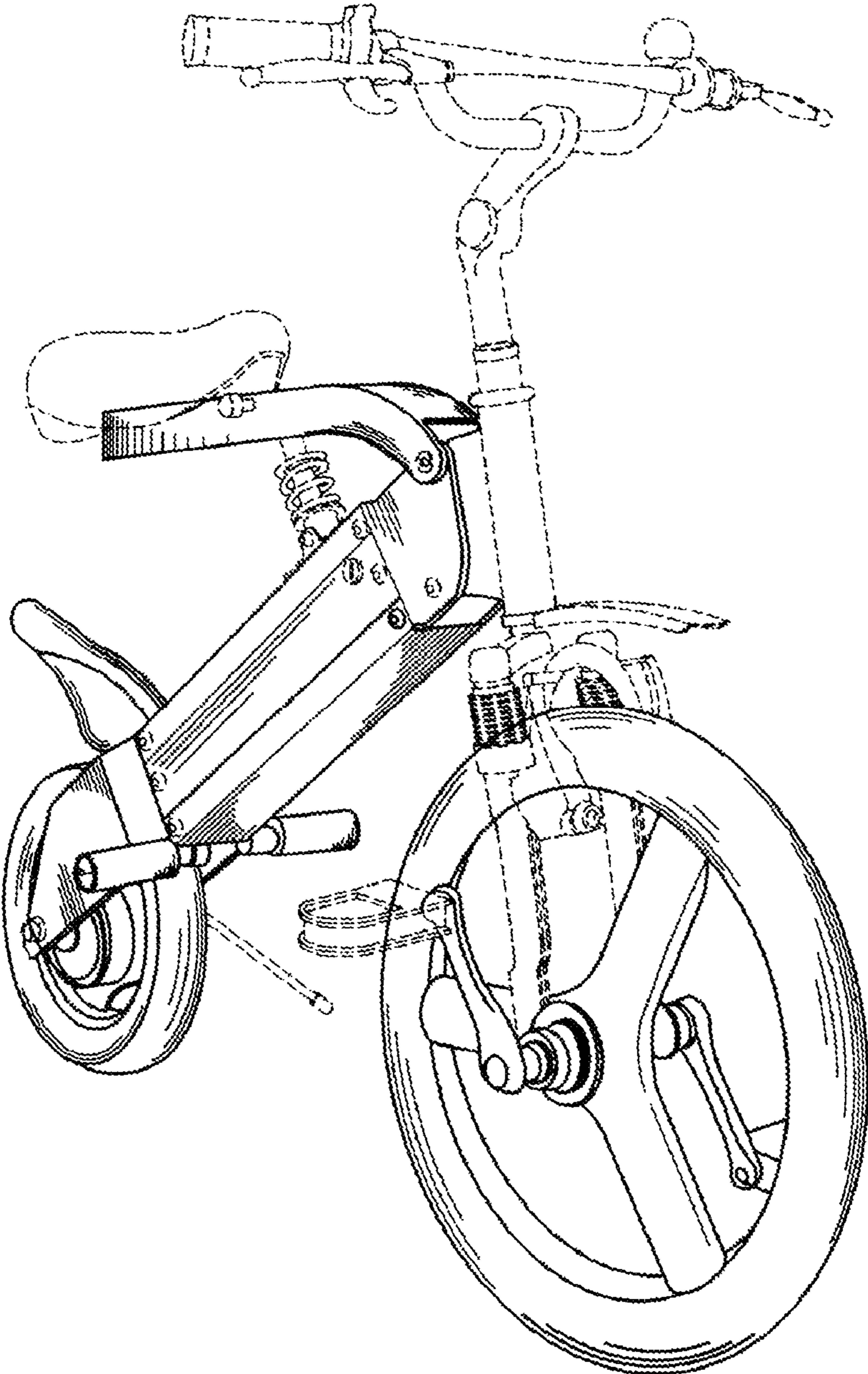


Fig. 1

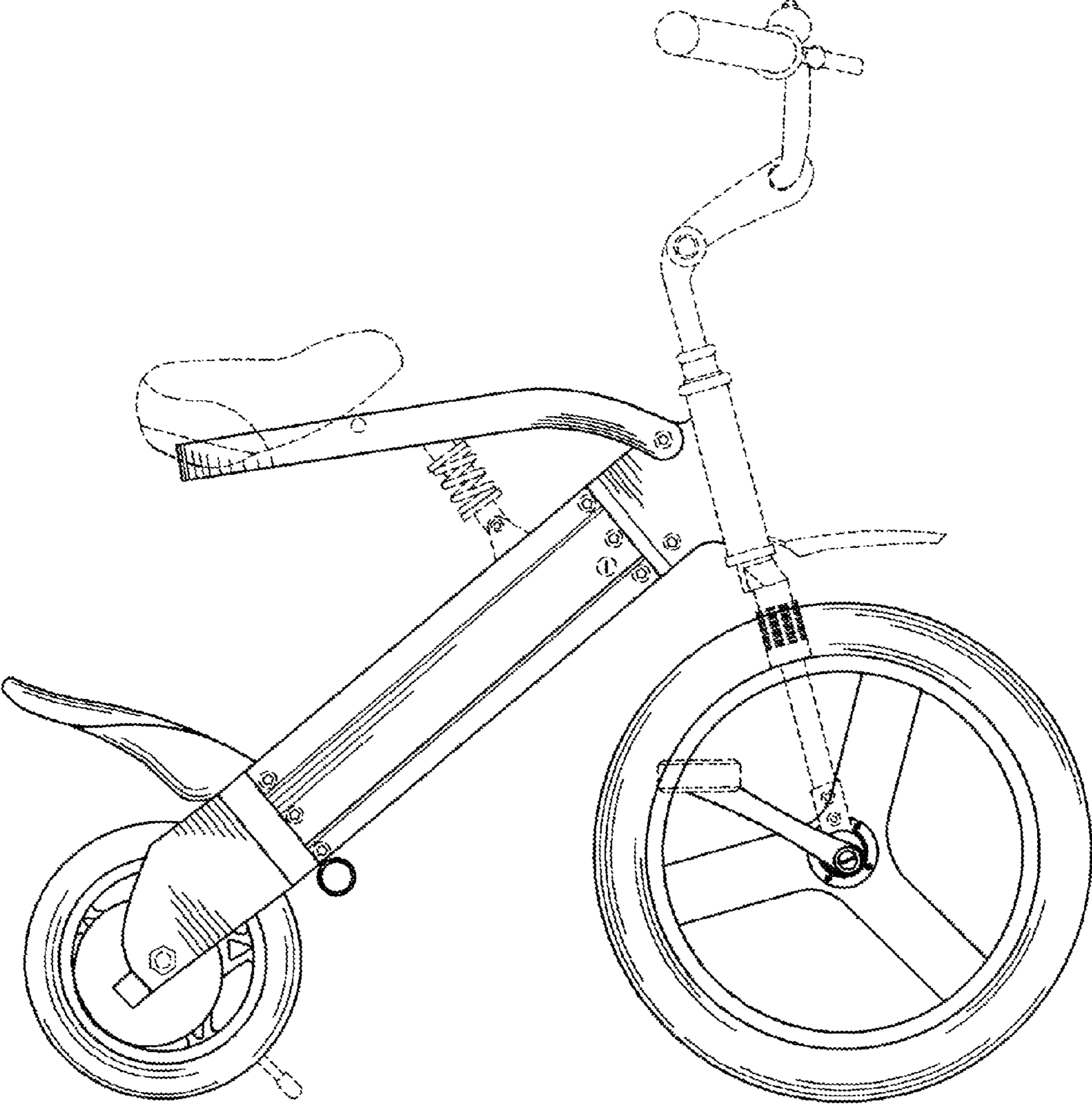


Fig. 2

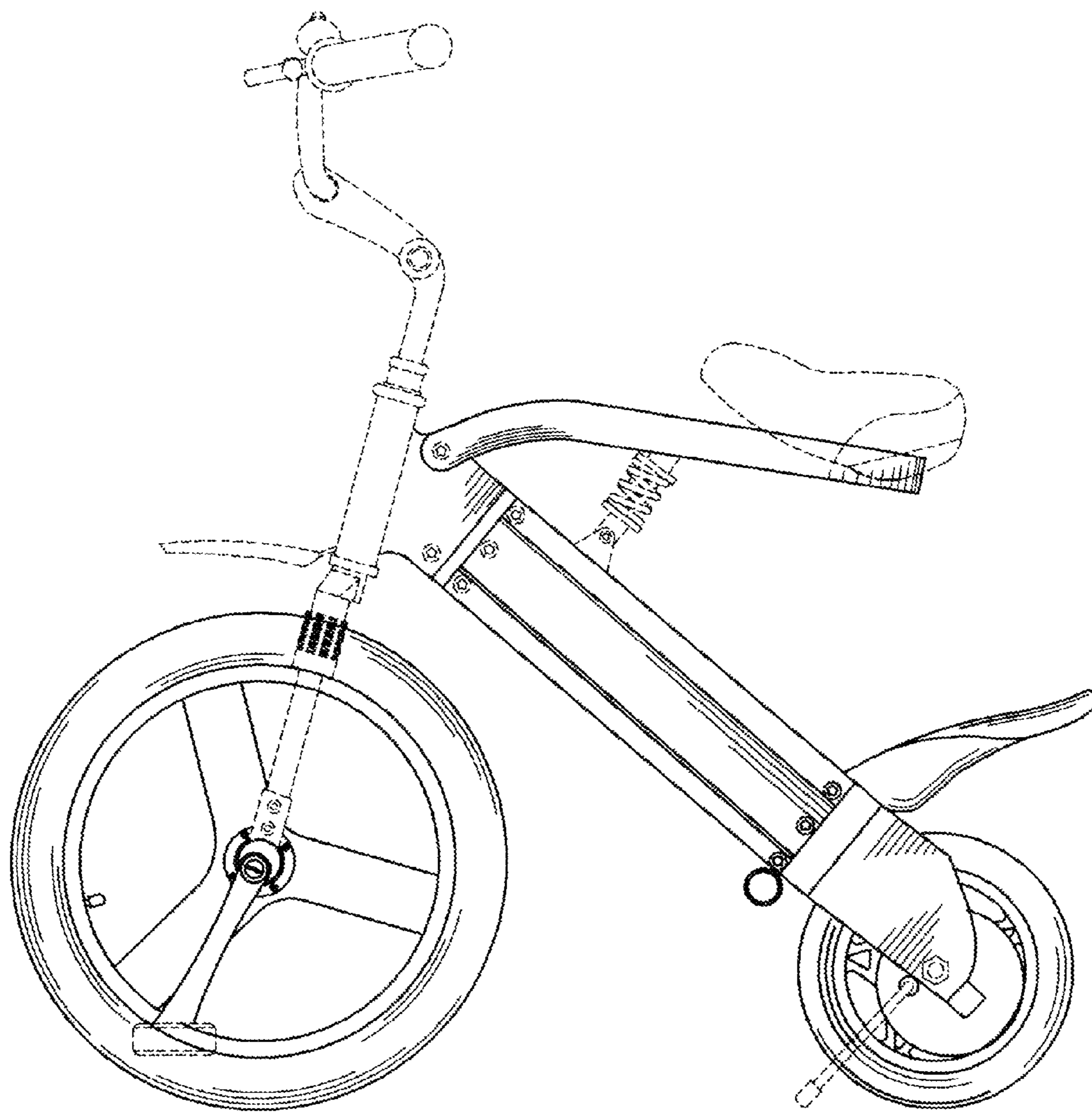


Fig. 3

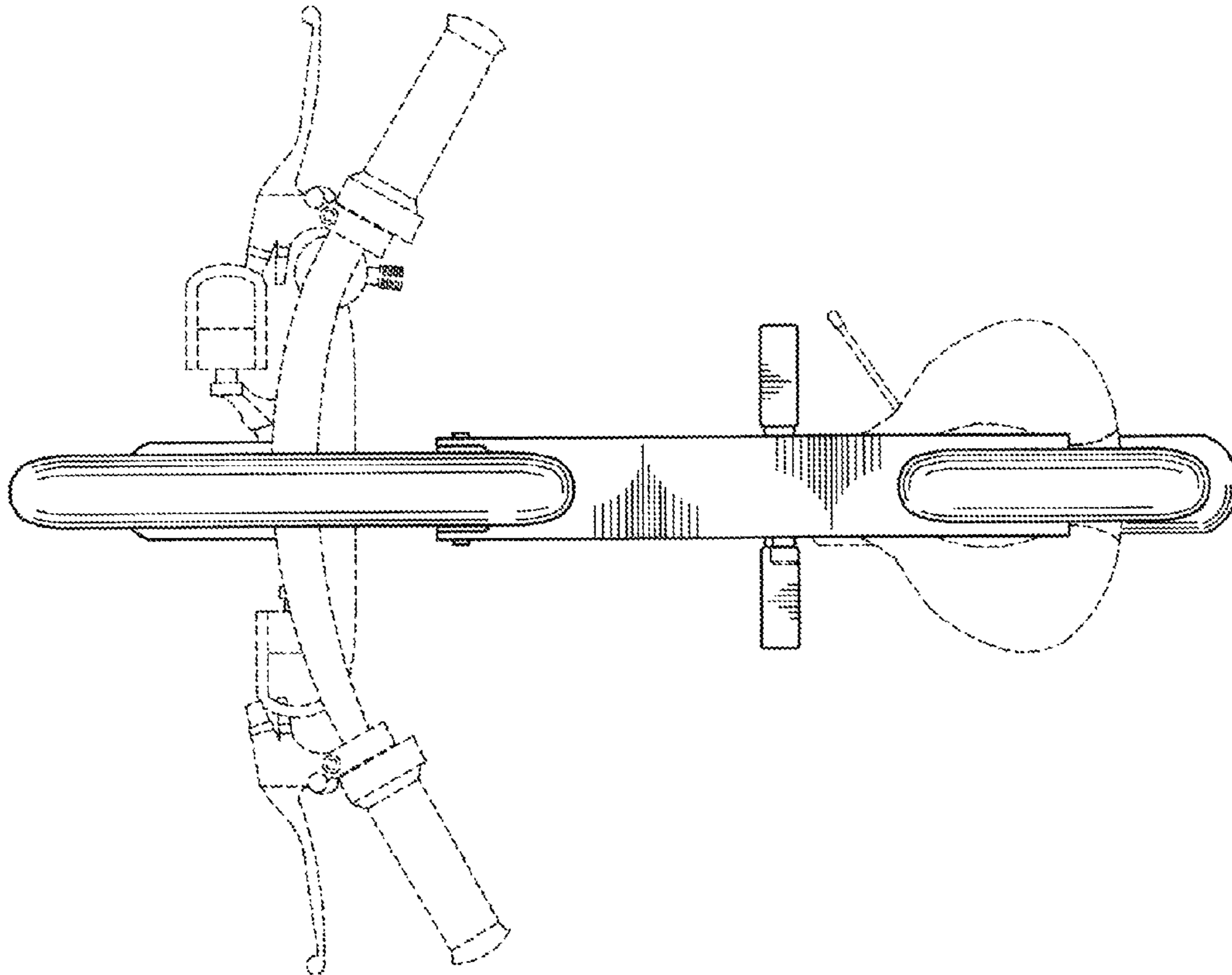


Fig. 4

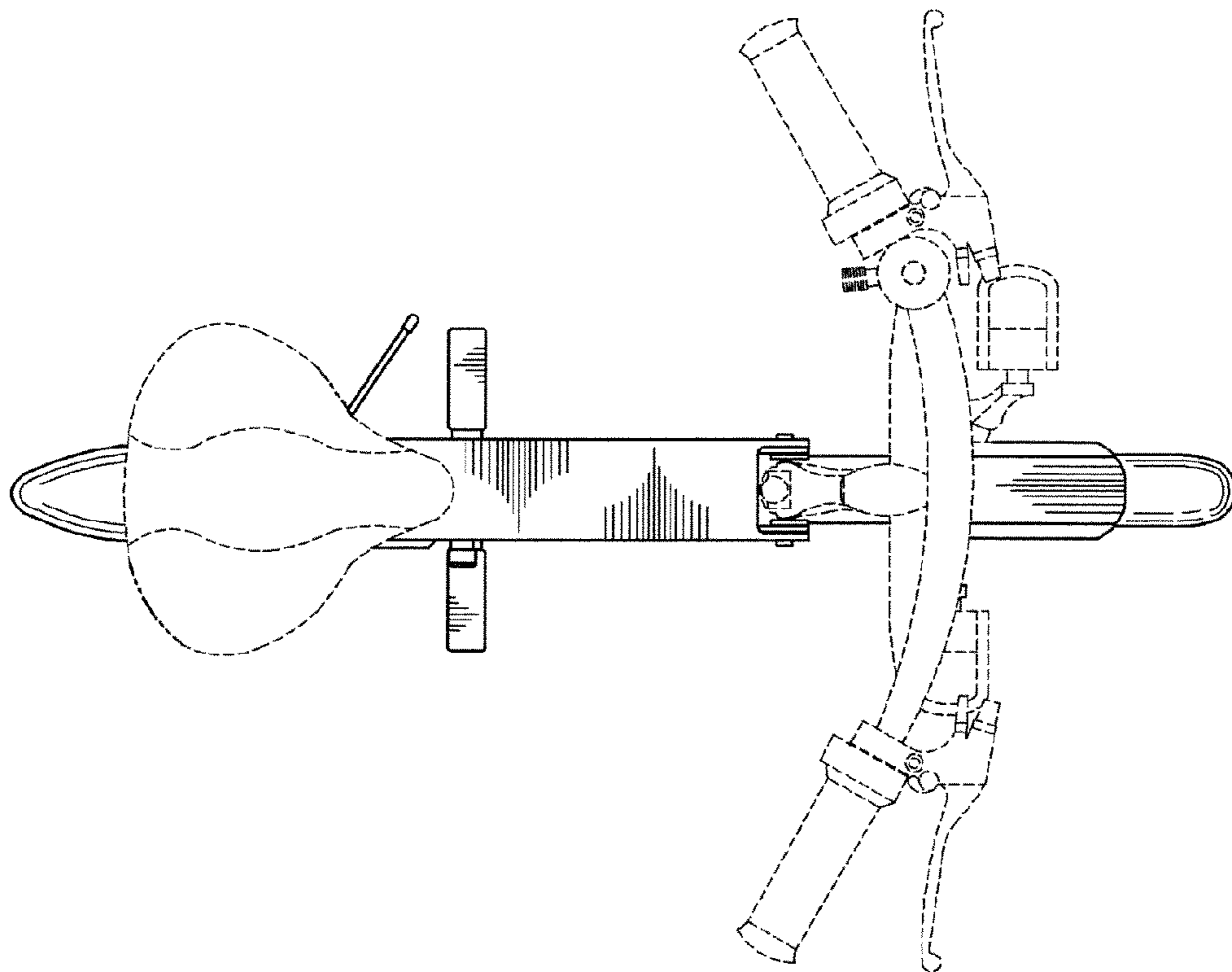


Fig. 5

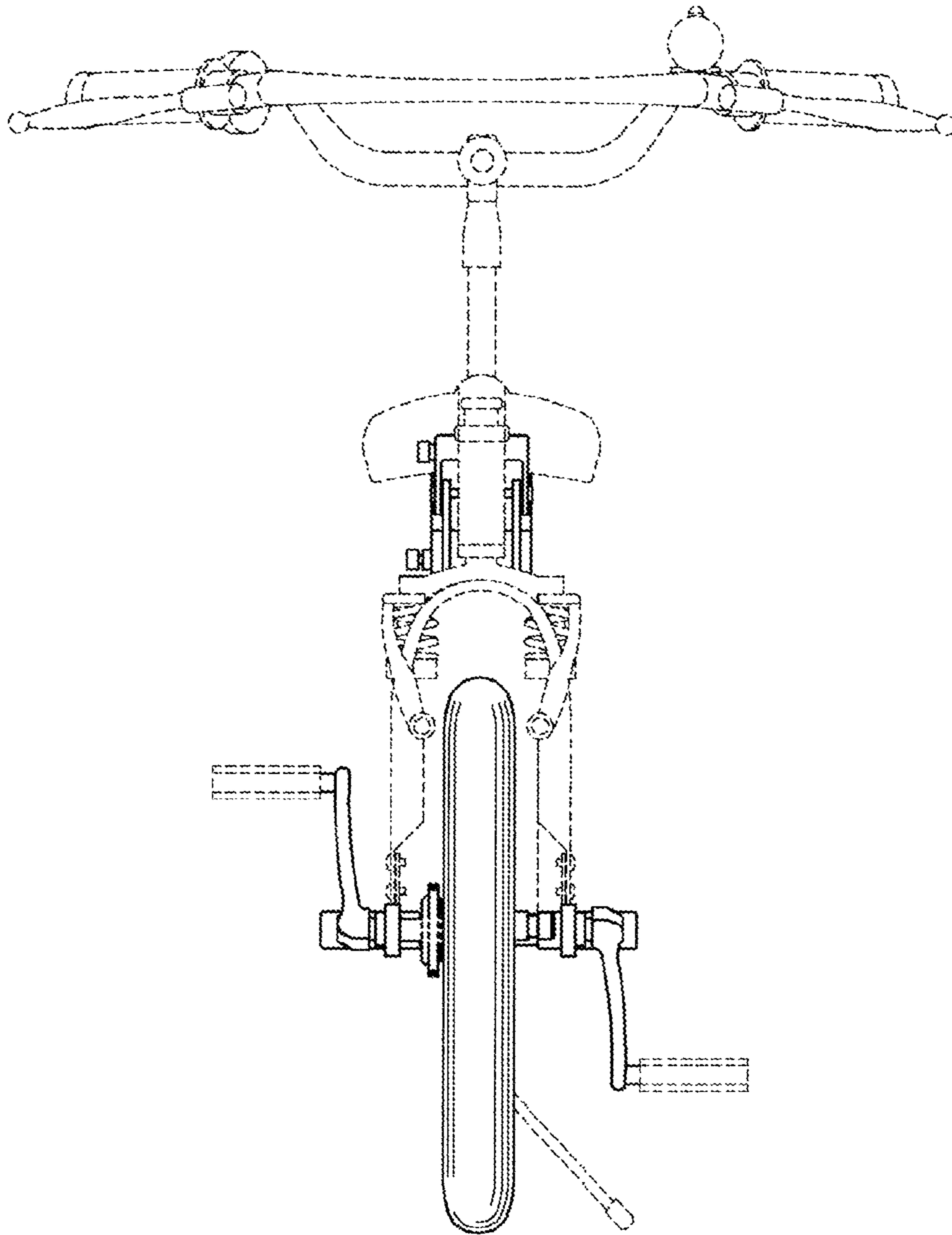


Fig. 6

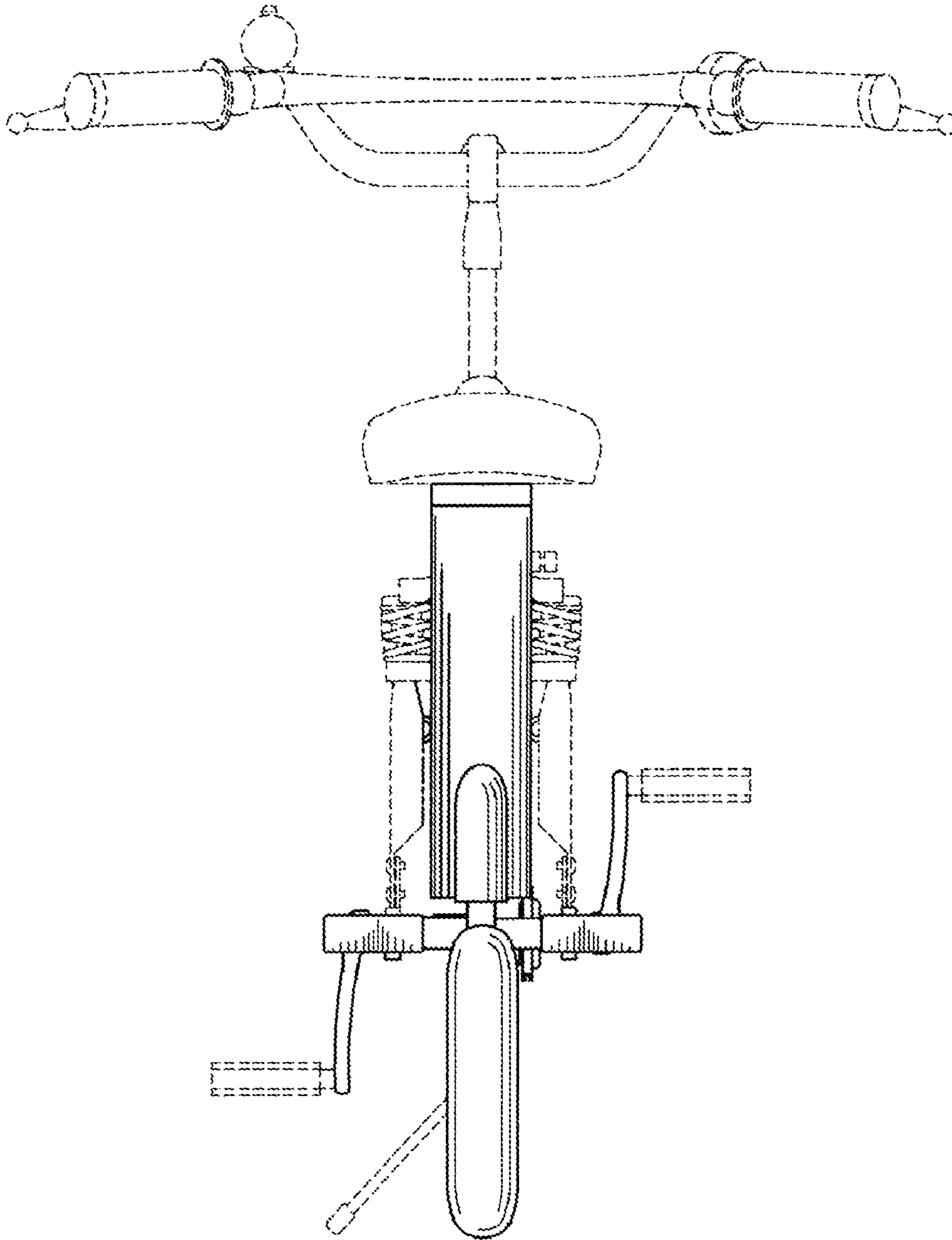


Fig. 7

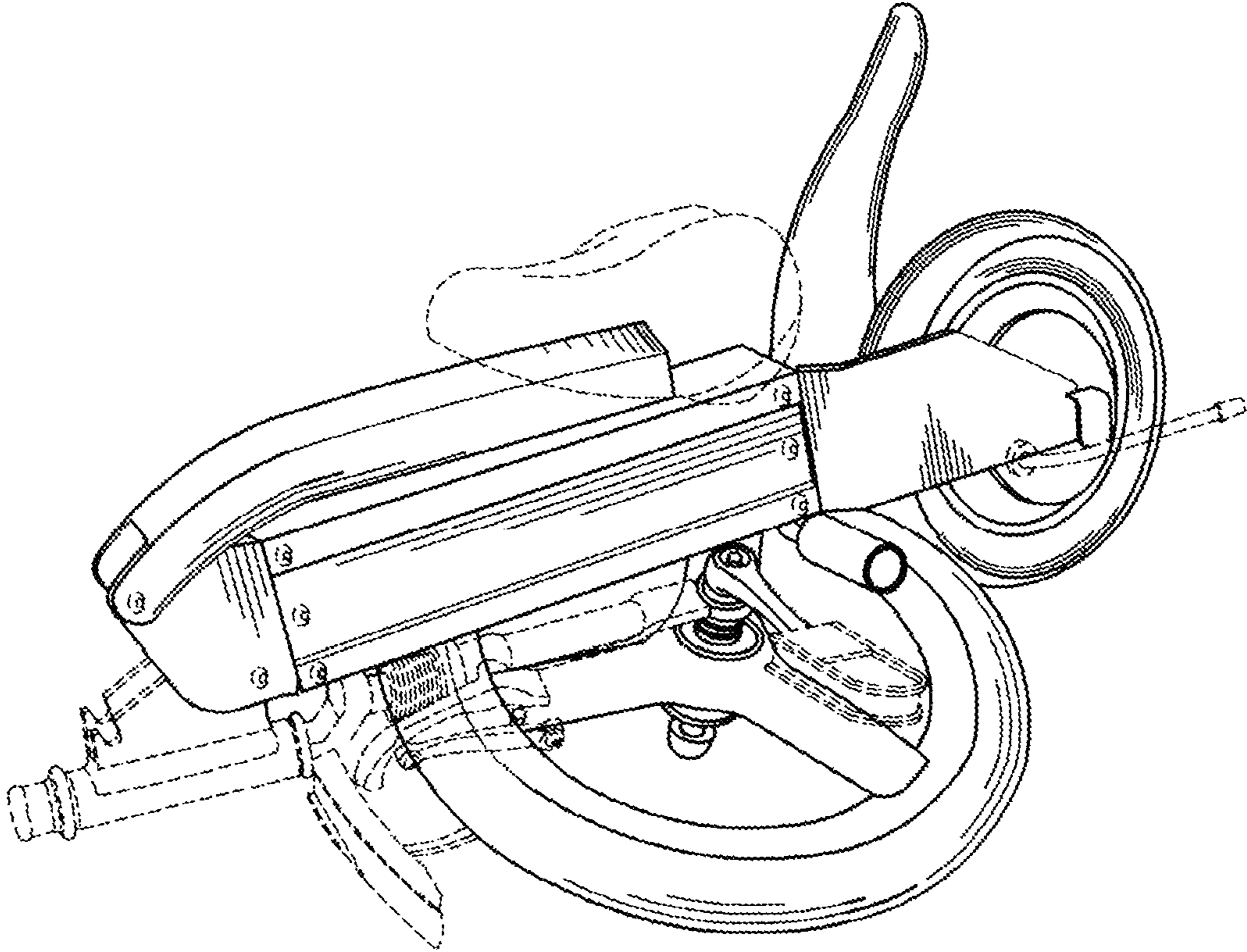


Fig. 8