



US00D650722S

(12) **United States Design Patent**
Marchi

(10) **Patent No.:** **US D650,722 S**

(45) **Date of Patent:** **** Dec. 20, 2011**

(54) **SEMI-TRUCK CAB**

(75) Inventor: **Mario Marchi**, Herdecke (DE)

(73) Assignee: **Marchi Mobile GmbH**, Vienna (AT)

(**) Term: **14 Years**

(21) Appl. No.: **29/373,045**

(22) Filed: **Feb. 22, 2011**

(51) **LOC (9) Cl.** **12-16**

(52) **U.S. Cl.** **D12/96; D12/93**

(58) **Field of Classification Search** D12/93,
D12/96, 97, 99; D21/424, 434, 581; 180/89.16,
180/89.18, 89.19; 296/183.1

See application file for complete search history.

(56) **References Cited**

U.S. PATENT DOCUMENTS

D339,314 S *	9/1993	Moar	D12/96
5,310,239 A	5/1994	Koske et al.		
D357,436 S *	4/1995	Moar	D12/96
5,429,405 A	7/1995	Newbould		
6,237,988 B1	5/2001	Messano		
6,520,565 B1	2/2003	Kjellberg		
D566,009 S *	4/2008	Beigel et al.	D12/96
D593,907 S *	6/2009	Piedy	D12/96
D620,393 S *	7/2010	Arnell	D12/86

D626,890 S *	11/2010	Cantemir	D12/96
7,841,644 B1	11/2010	Ciarfello		
2007/0138834 A1	6/2007	Racz et al.		

FOREIGN PATENT DOCUMENTS

WO WO2006132771 12/2006

* cited by examiner

Primary Examiner — Melody N Brown

(74) *Attorney, Agent, or Firm* — Bennett Mullinax LLC

(57) **CLAIM**

The ornamental design for a semi-truck cab, as shown and described.

DESCRIPTION

FIG. 1 is a perspective view of a semi-truck cab.

FIG. 2 is a front elevation view of the semi-truck cab seen in FIG. 1.

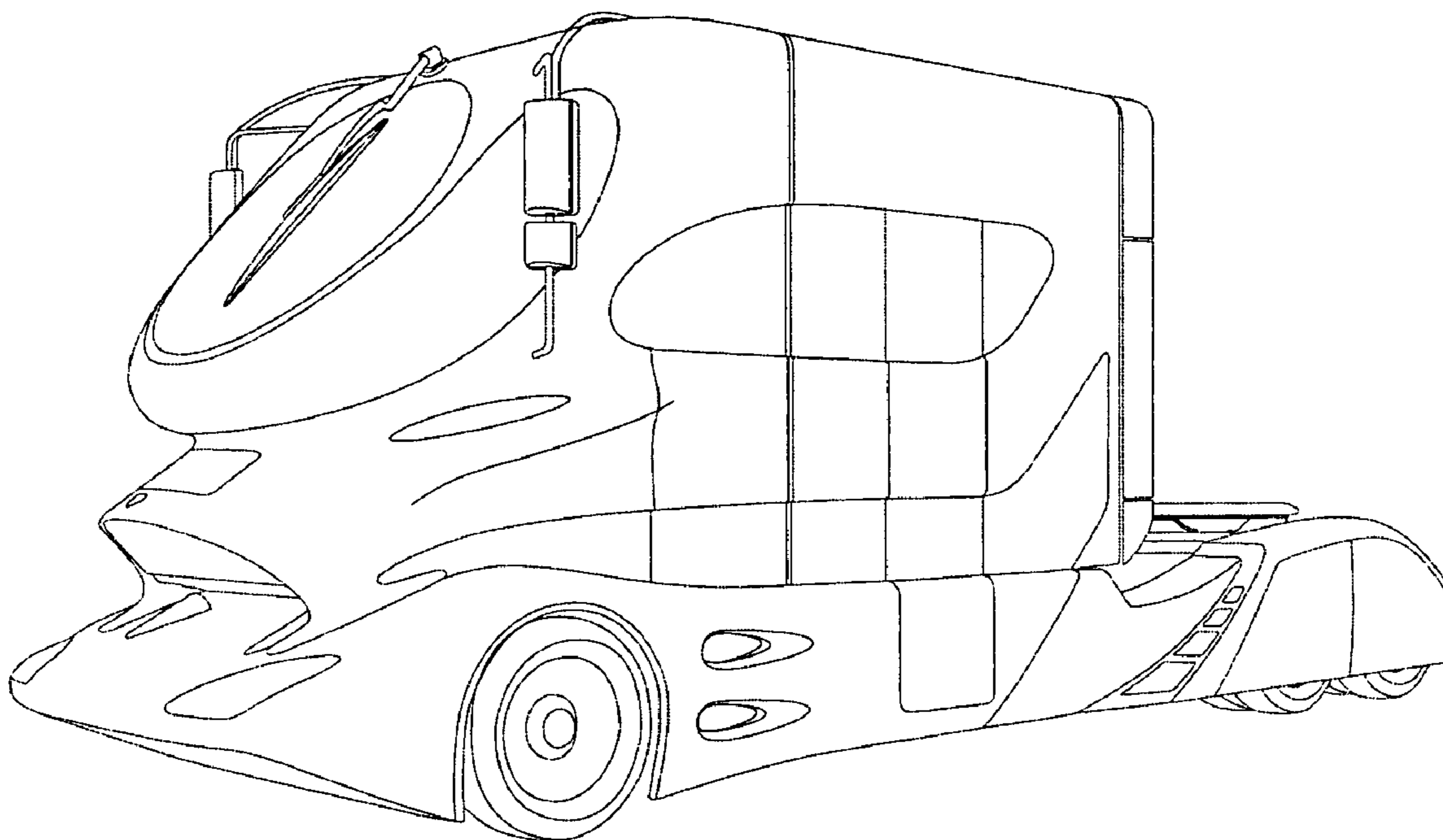
FIG. 3 is a rear elevation view of the semi-truck cab seen in FIG. 1.

FIG. 4 is a left side view of the semi-truck cab seen in FIG. 1.

FIG. 5 is a right side view of the semi-truck cab seen in FIG. 1; and,

FIG. 6 is a top perspective view of the semi-truck cab seen in FIG. 1.

1 Claim, 6 Drawing Sheets



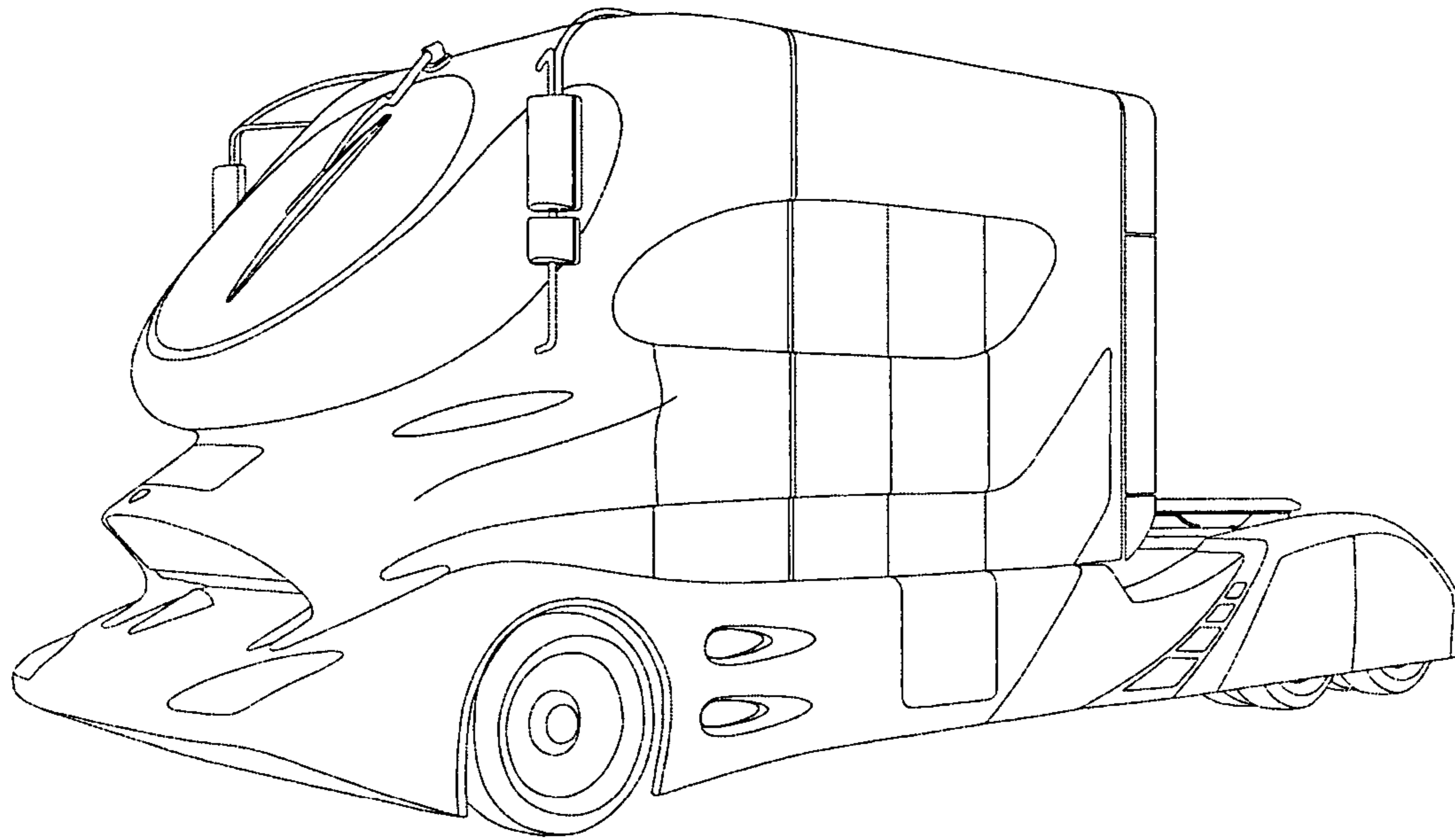


FIGURE 1.

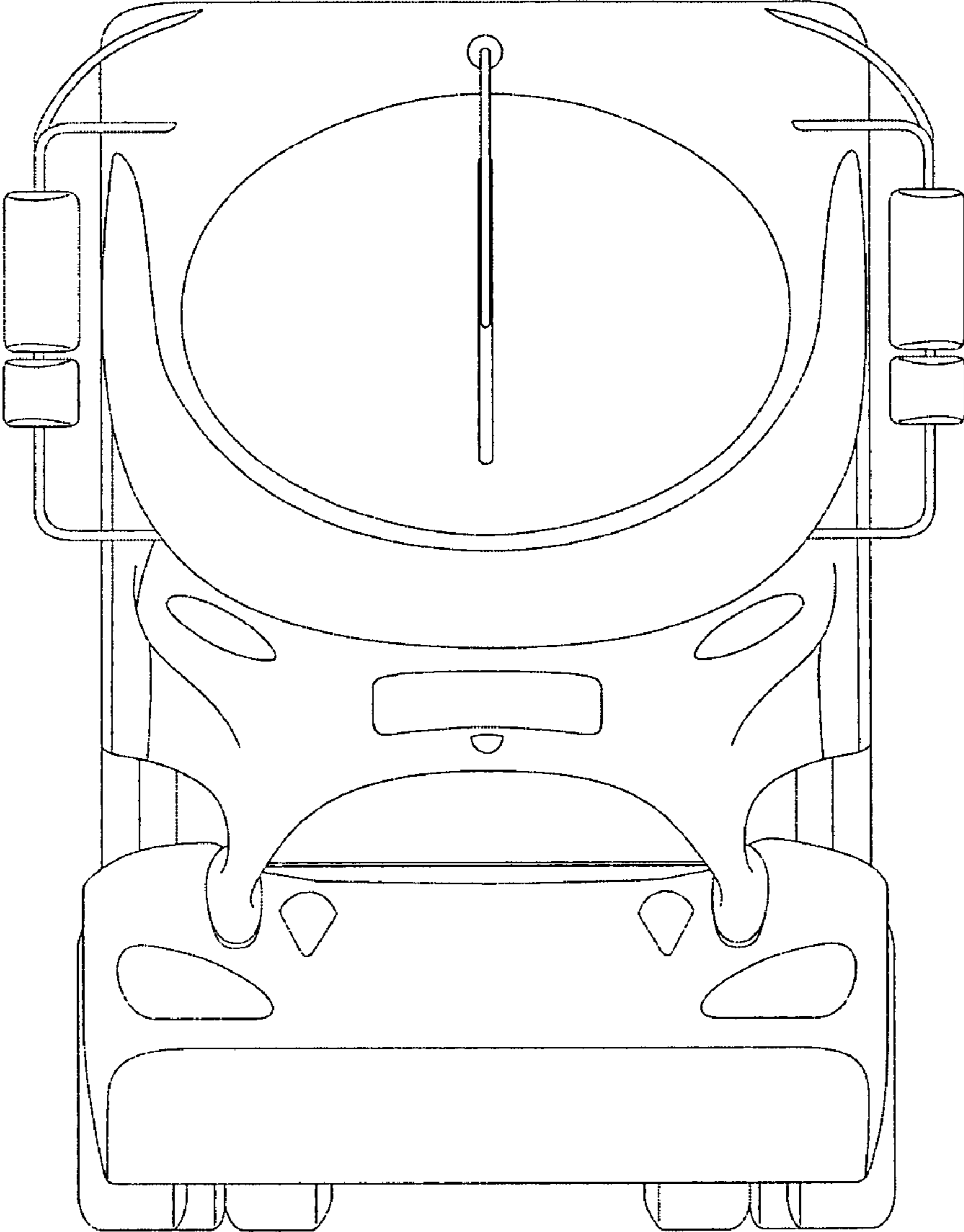


FIGURE 2

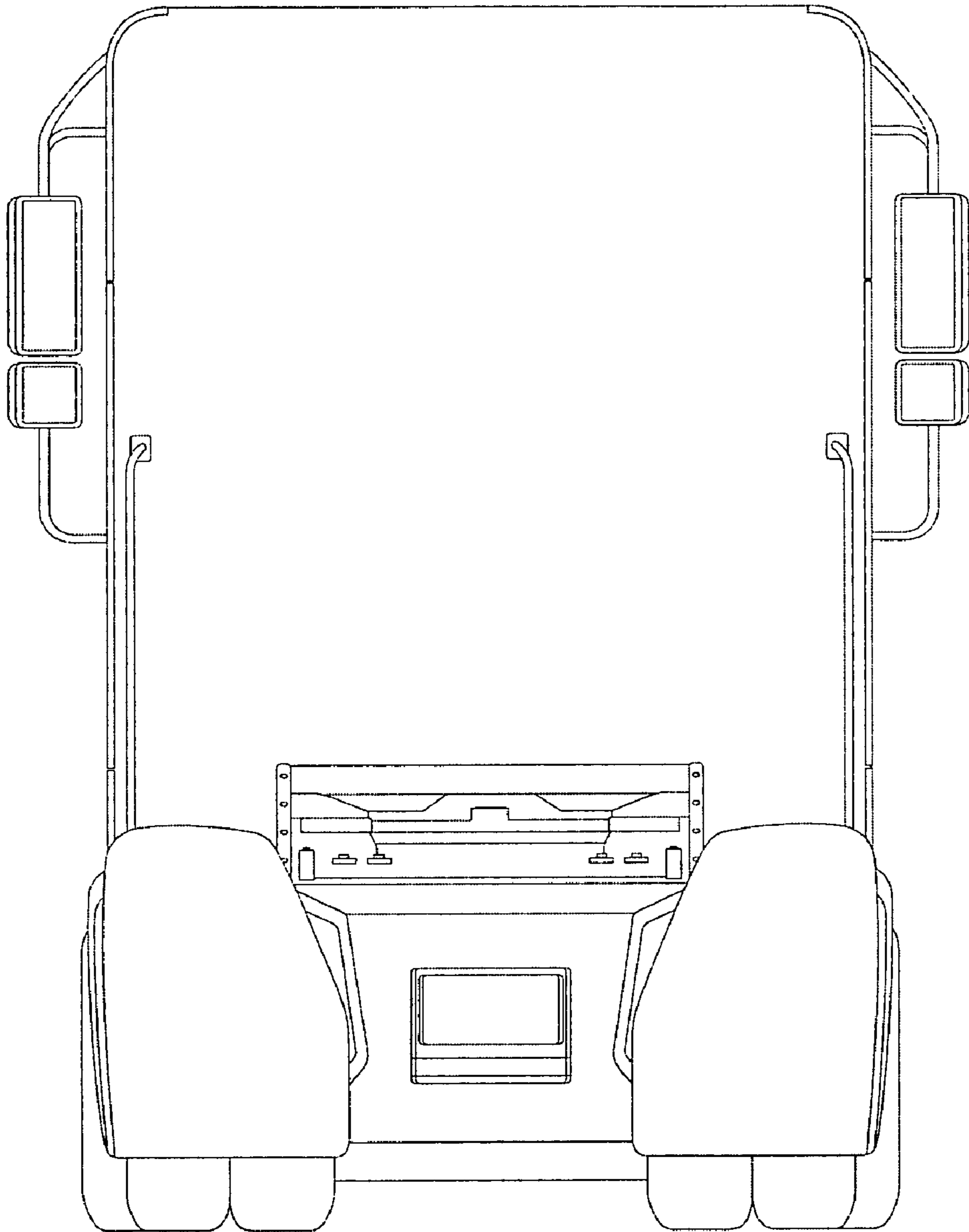


FIGURE 3

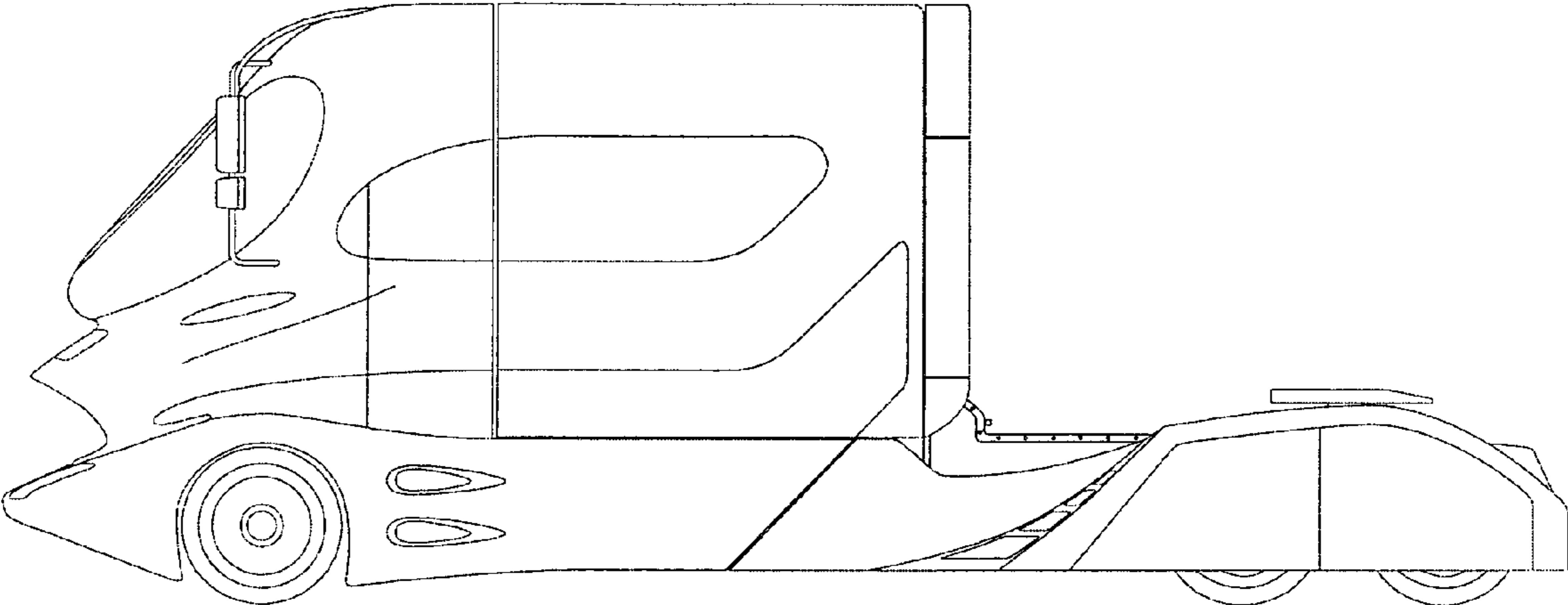


FIGURE 4

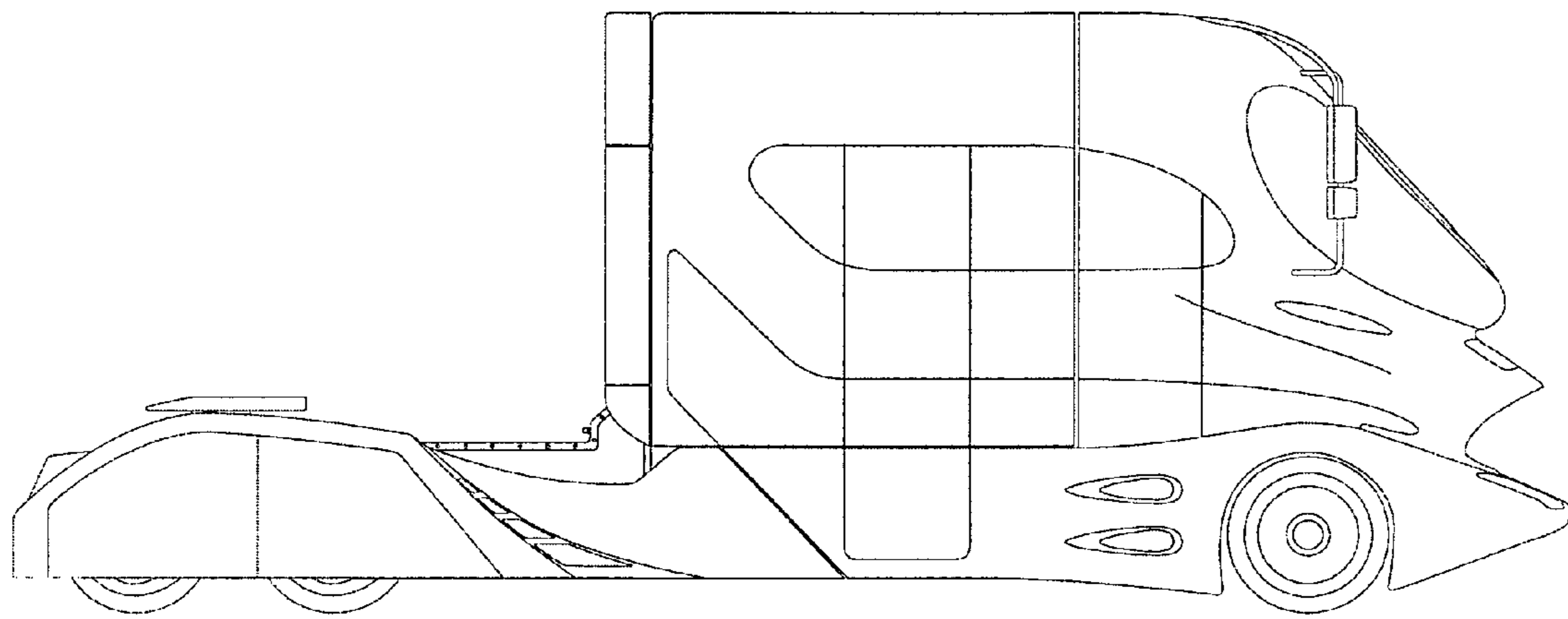


FIGURE 5

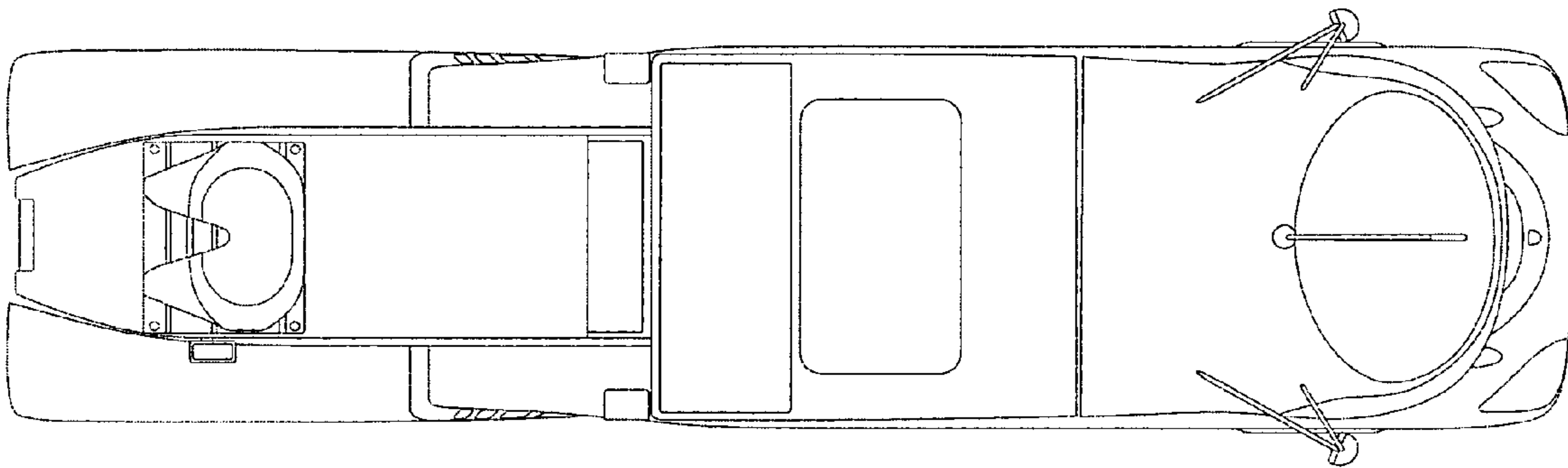


FIGURE 6