



US00D650720S

(12) **United States Design Patent**
Park

(10) **Patent No.:** **US D650,720 S**

(45) **Date of Patent:** **** Dec. 20, 2011**

(54) **BELT CONNECTOR**

(75) Inventor: **Young Jun Park**, Gongju-si (KR)

(73) Assignee: **NIFCO Korea Inc.**, Chungnam (KR)

(**) Term: **14 Years**

(21) Appl. No.: **29/371,642**

(22) Filed: **Jun. 21, 2011**

(30) **Foreign Application Priority Data**

Dec. 24, 2010 (KR) 30-2010-055848

(51) **LOC (9) Cl.** **02-07**

(52) **U.S. Cl.** **D11/218**

(58) **Field of Classification Search** D11/1-2,
D11/200-201, 206-210, 214-218; 24/163 R,
24/169-171, 173, 177-179, 191, 194-195,
24/197, 200, 614-616, 625; 240/169-171;
D3/318; 280/808

See application file for complete search history.

(56) **References Cited**

U.S. PATENT DOCUMENTS

D398,262 S *	9/1998	Anscher	D11/218
D399,172 S *	10/1998	Anscher	D11/218
D483,294 S *	12/2003	Uehara	D11/218
D507,763 S *	7/2005	Kaneko et al.	D11/218
D556,086 S *	11/2007	Pontaoe et al.	D11/218
D619,498 S *	7/2010	Paik	D11/218

* cited by examiner

Primary Examiner — Ralf Seifert

(74) *Attorney, Agent, or Firm* — Manabu Kanesaka

(57) **CLAIM**

The ornamental design for a belt connector, as shown and described.

DESCRIPTION

FIG. 1 is a perspective view of a belt connector showing my new design;
 FIG. 2 is a front view thereof, a rear view being symmetrical to the front view;
 FIG. 3 is a left side view thereof;
 FIG. 4 is a right side view thereof;
 FIG. 5 is a plan view thereof;
 FIG. 6 is a bottom view thereof;
 FIG. 7 is a perspective view of a main base;
 FIG. 8 is front view thereof, a rear view being symmetrical to the front view;
 FIG. 9 is a left side view thereof;
 FIG. 10 is a right side view thereof;
 FIG. 11 is a plan view thereof;
 FIG. 12 is a bottom view thereof;
 FIG. 13 is a perspective view of a lever portion;
 FIG. 14 is front view thereof, a rear view being symmetrical to the front view;
 FIG. 15 is a left side view thereof;
 FIG. 16 is a right side view thereof;
 FIG. 17 is a plan view thereof; and,
 FIG. 18 is a bottom view thereof.

1 Claim, 6 Drawing Sheets

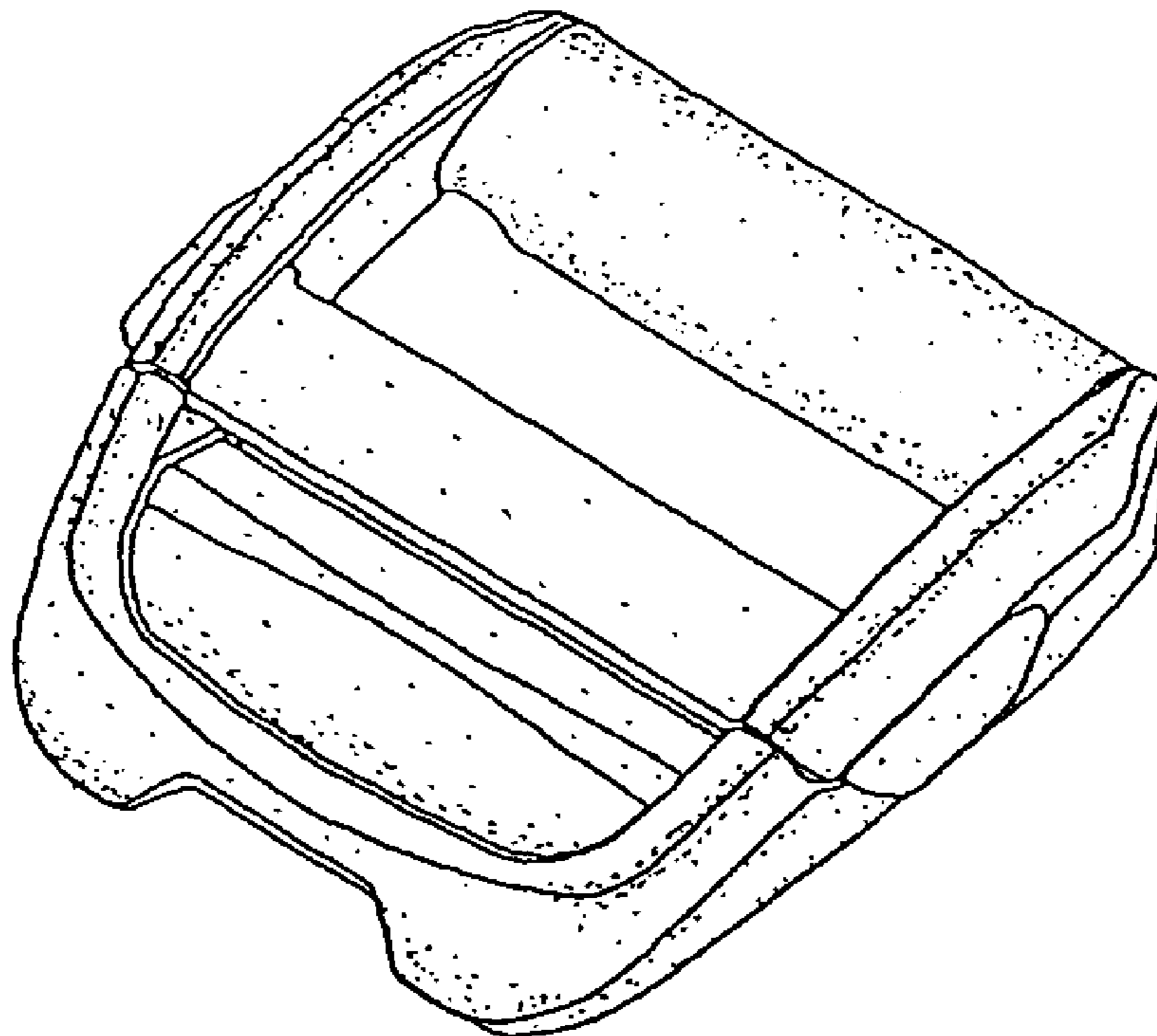


Fig. 1

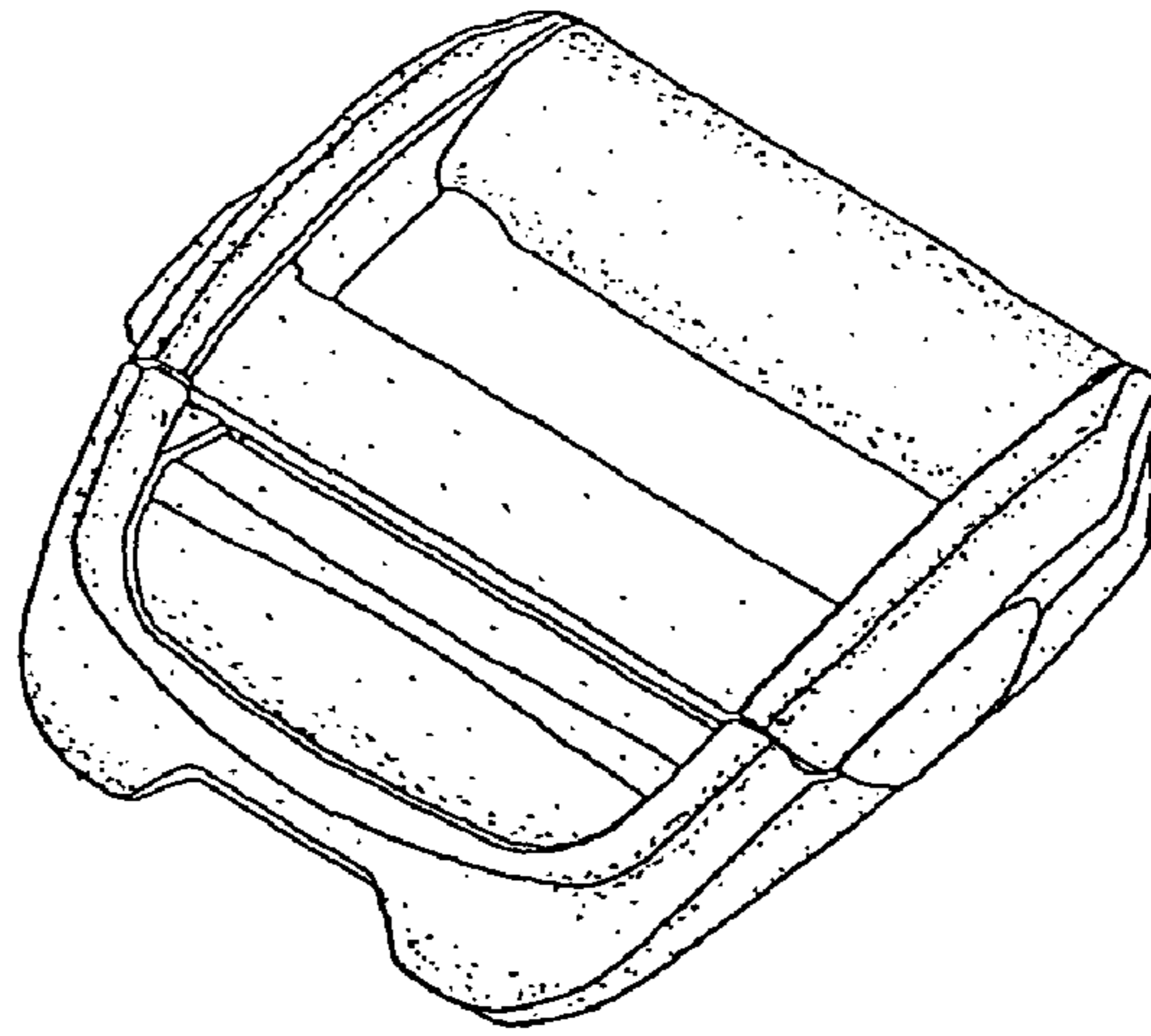


Fig. 2

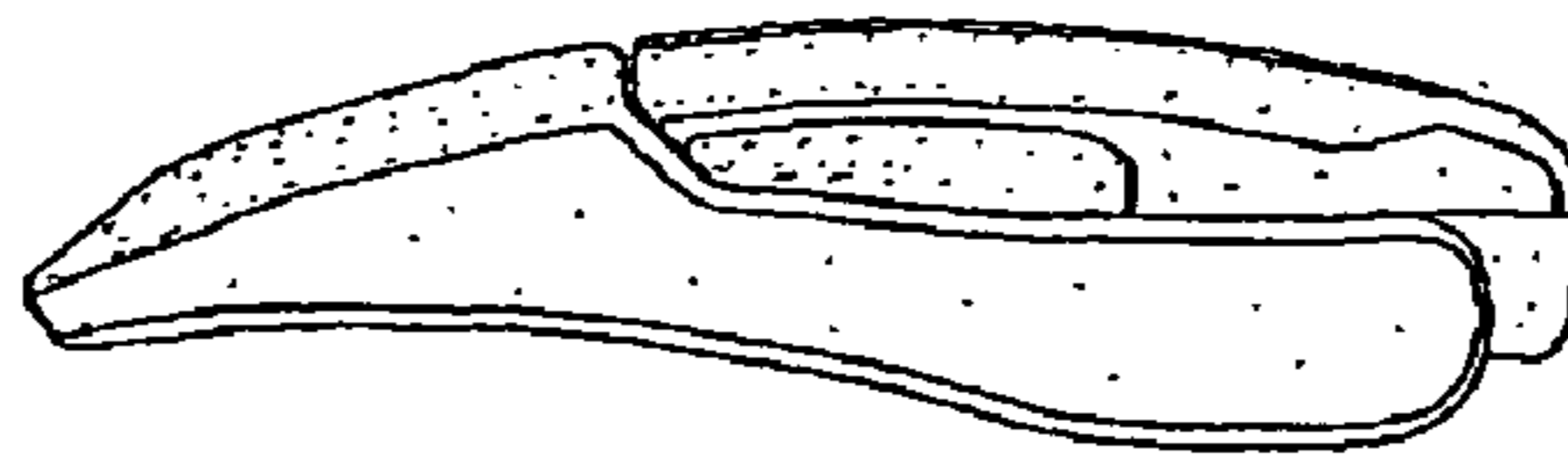


Fig. 3

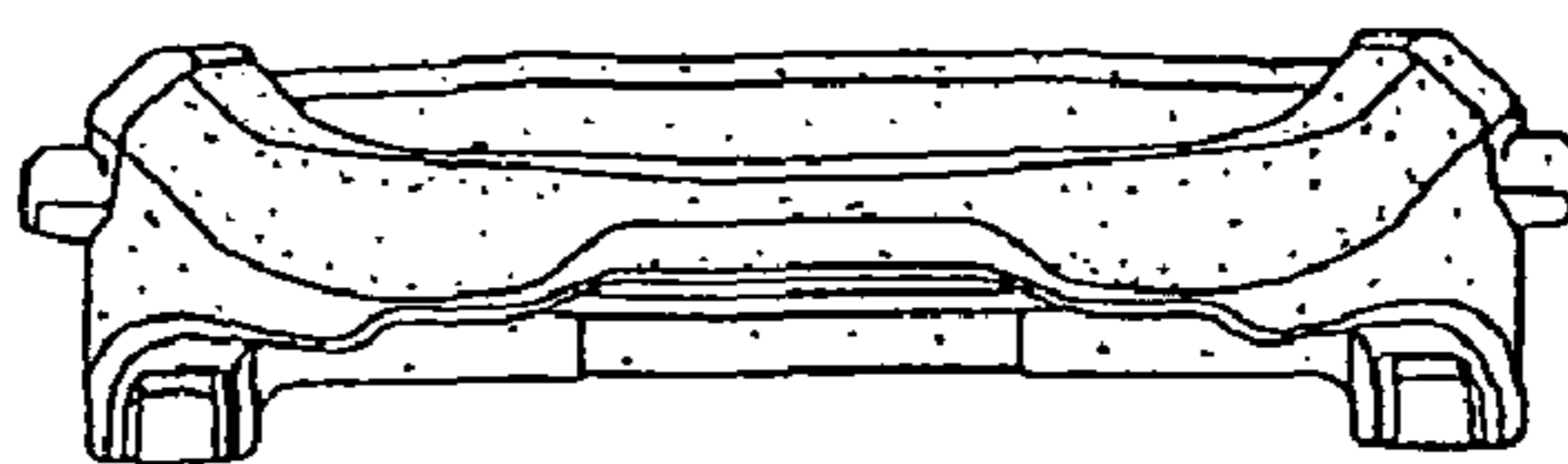


Fig. 4

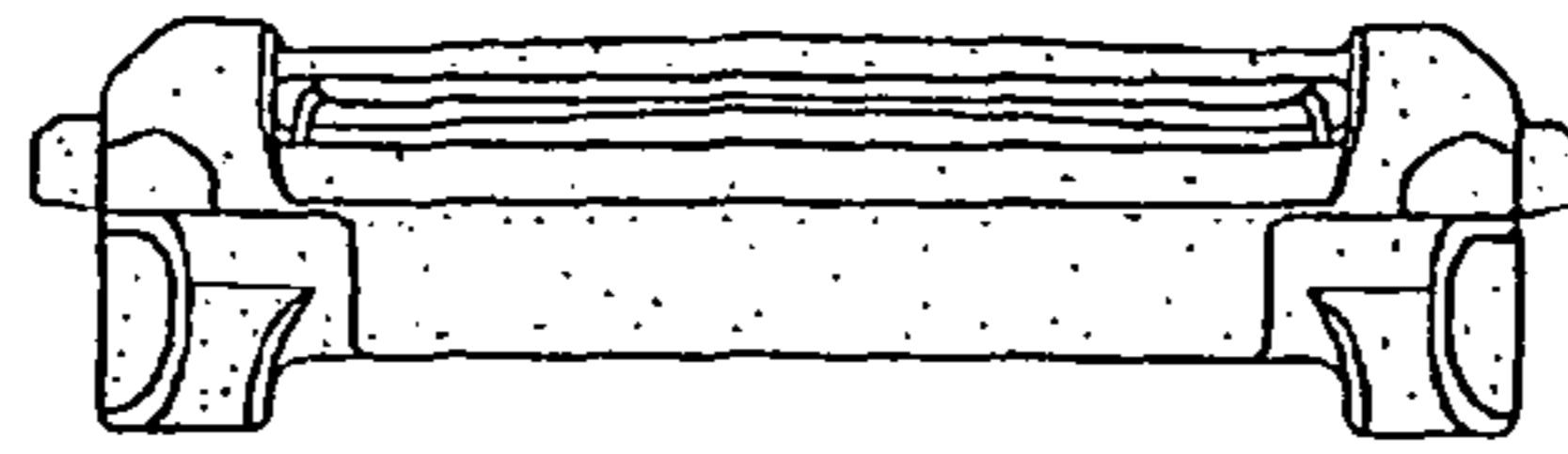


Fig. 5

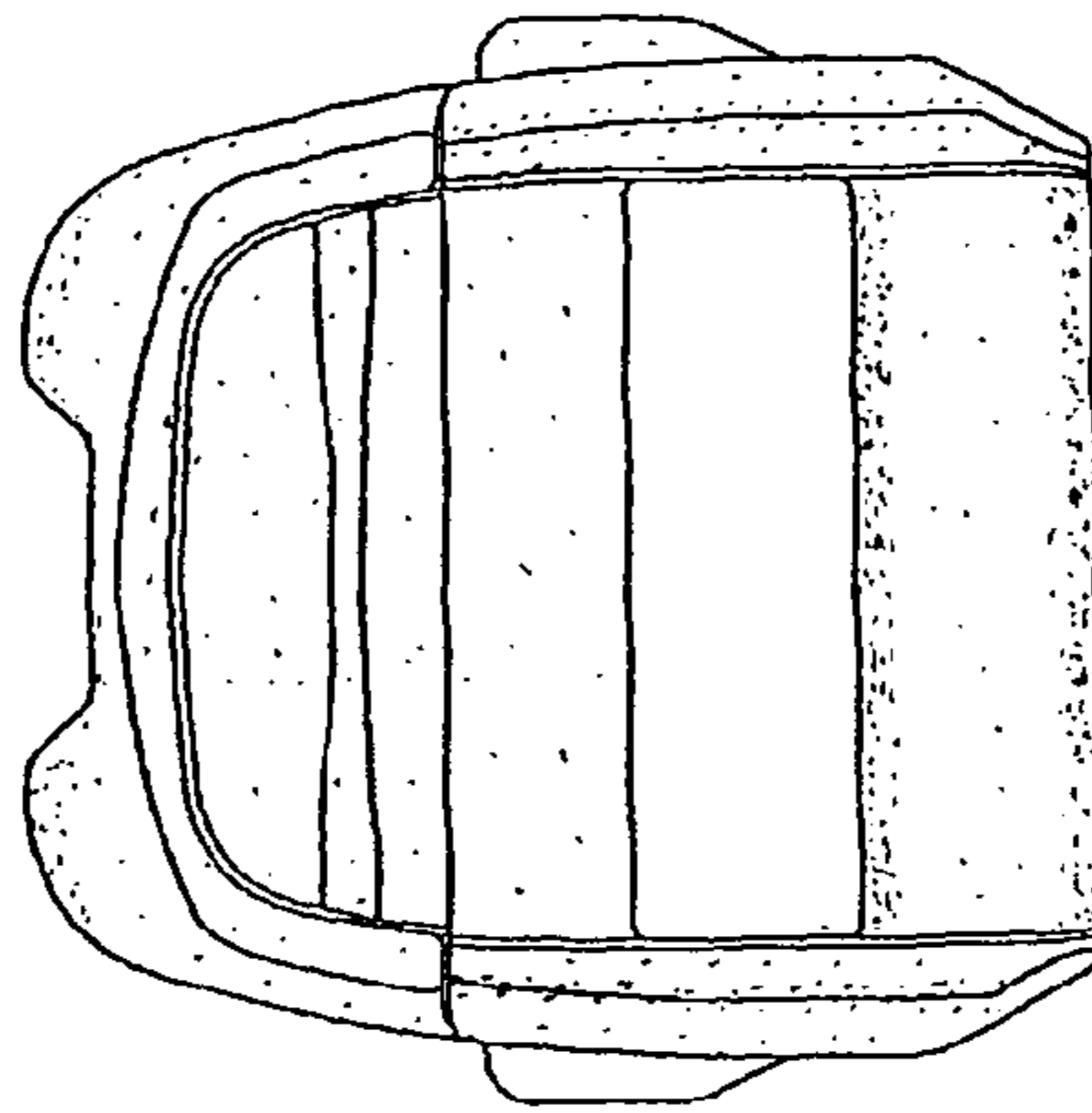


Fig. 6

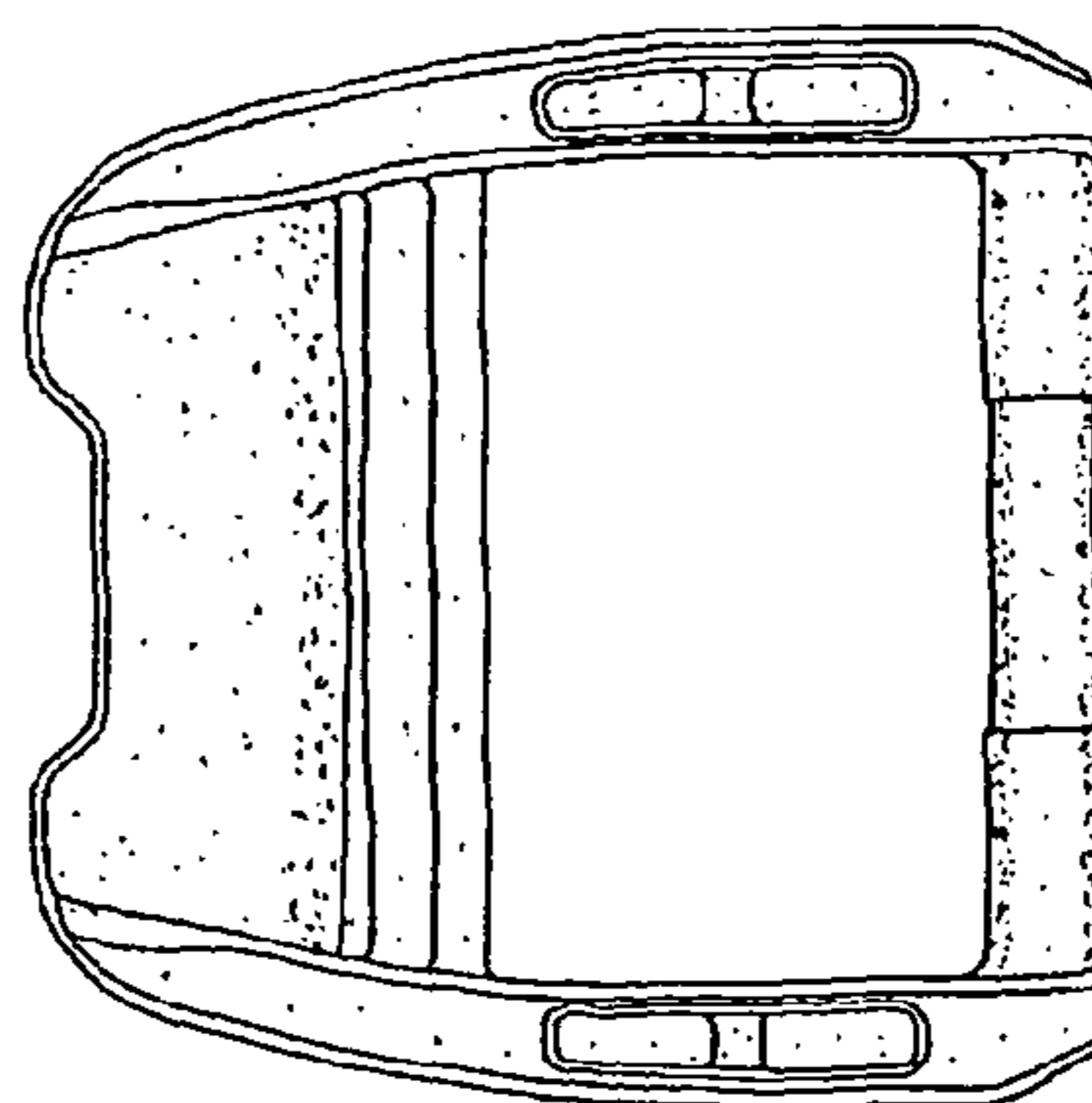


Fig. 7

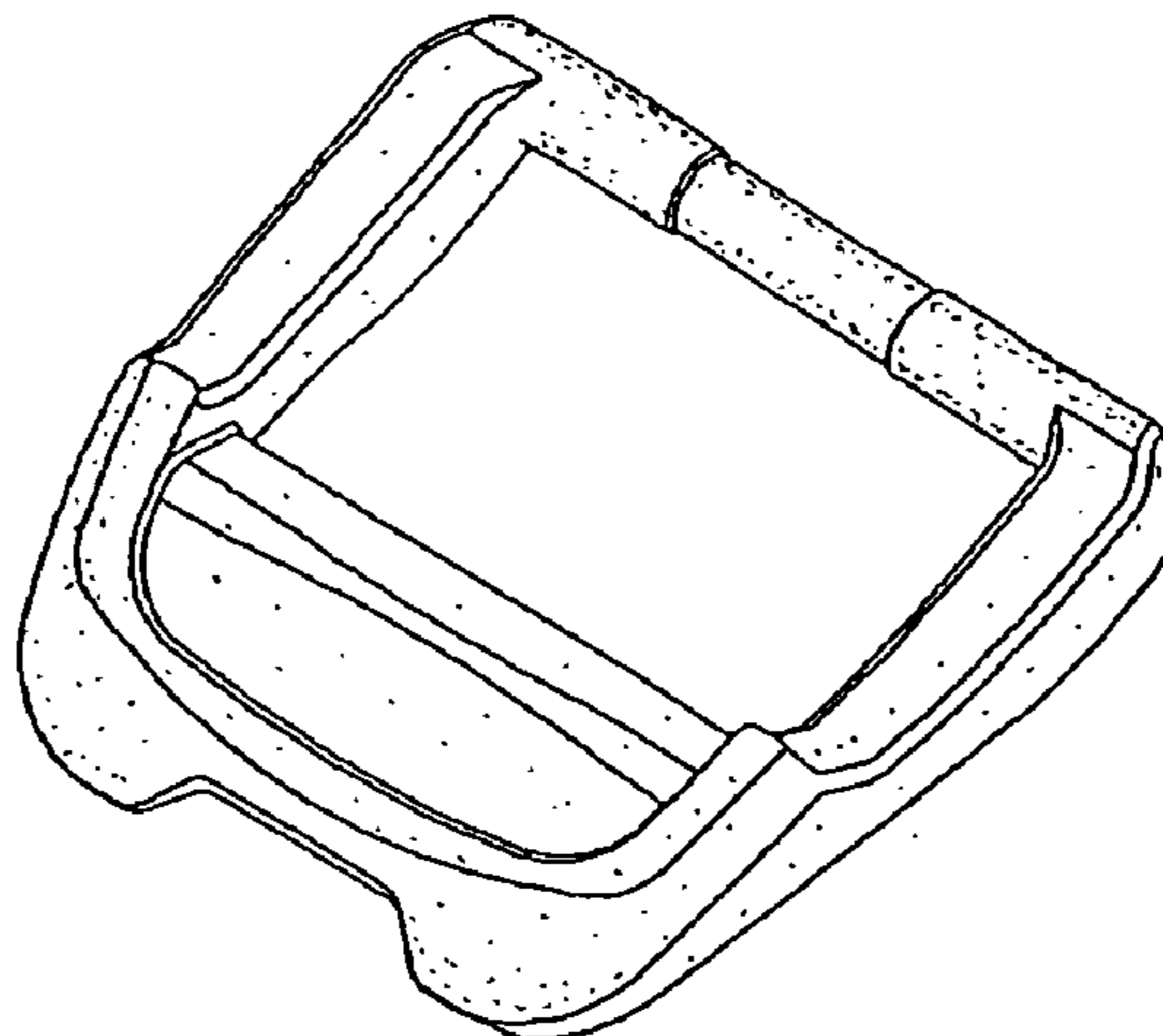


FIG. 8

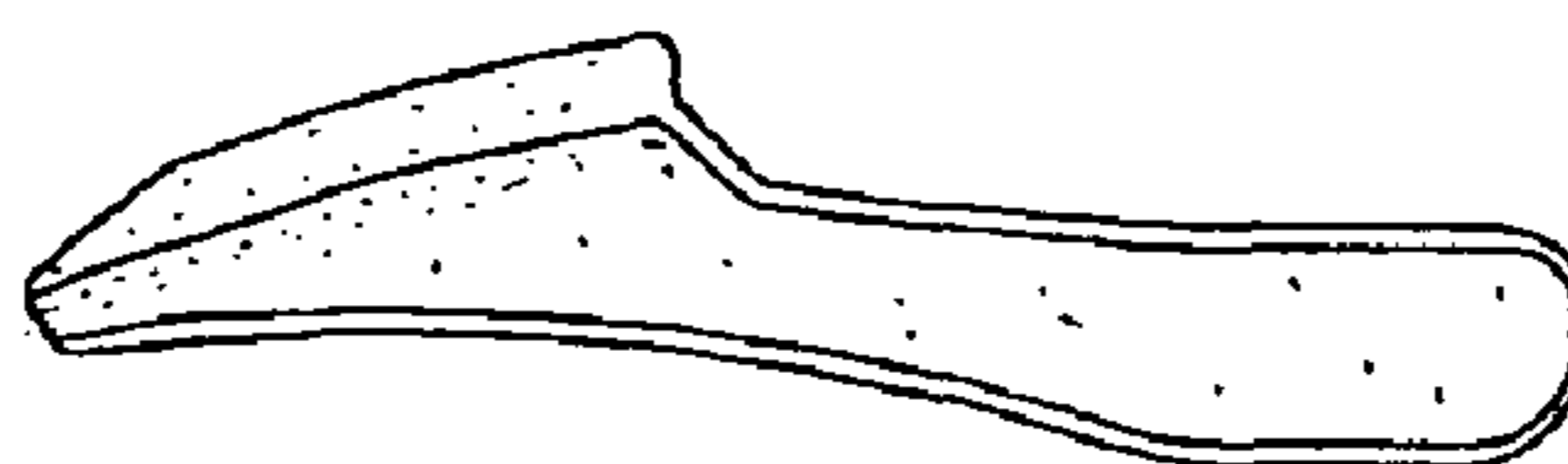


FIG. 9

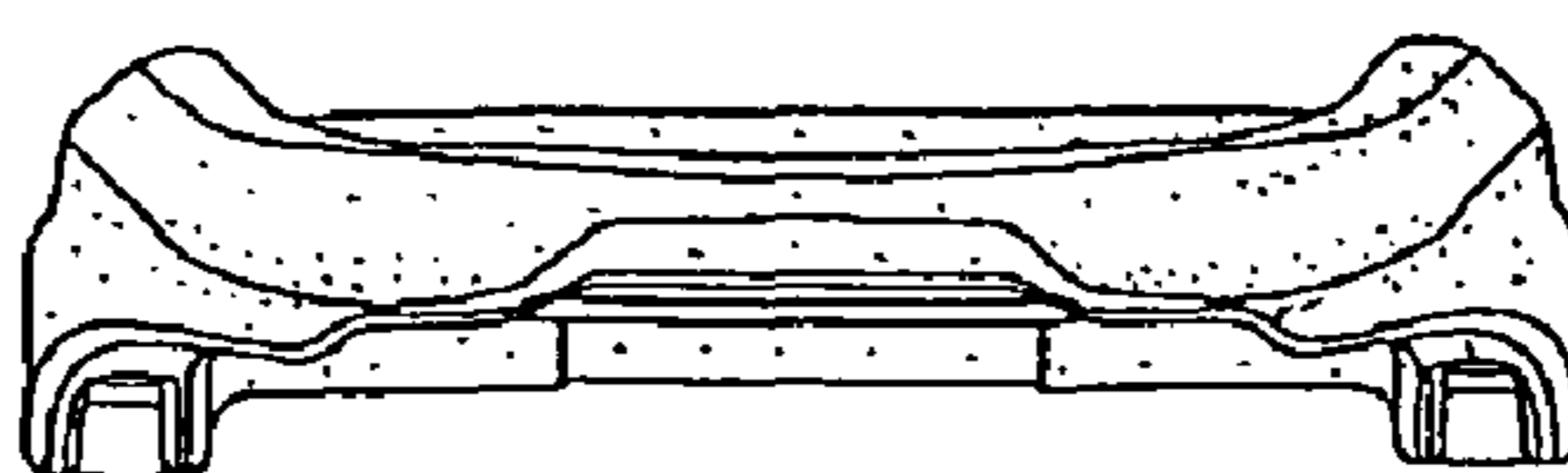


FIG. 10

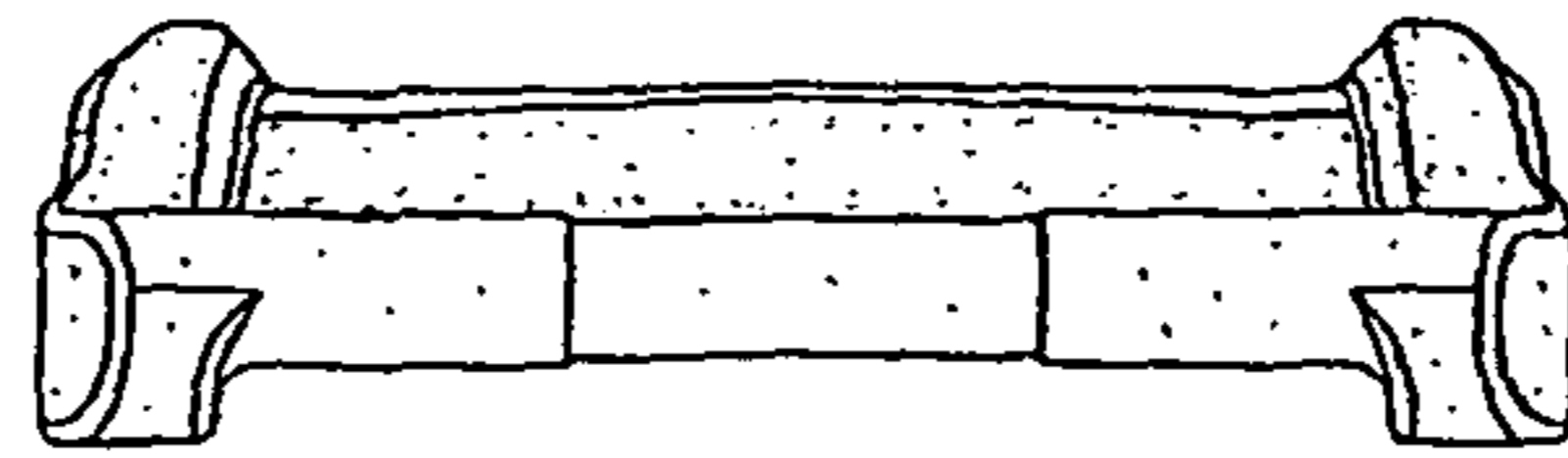


FIG. 11

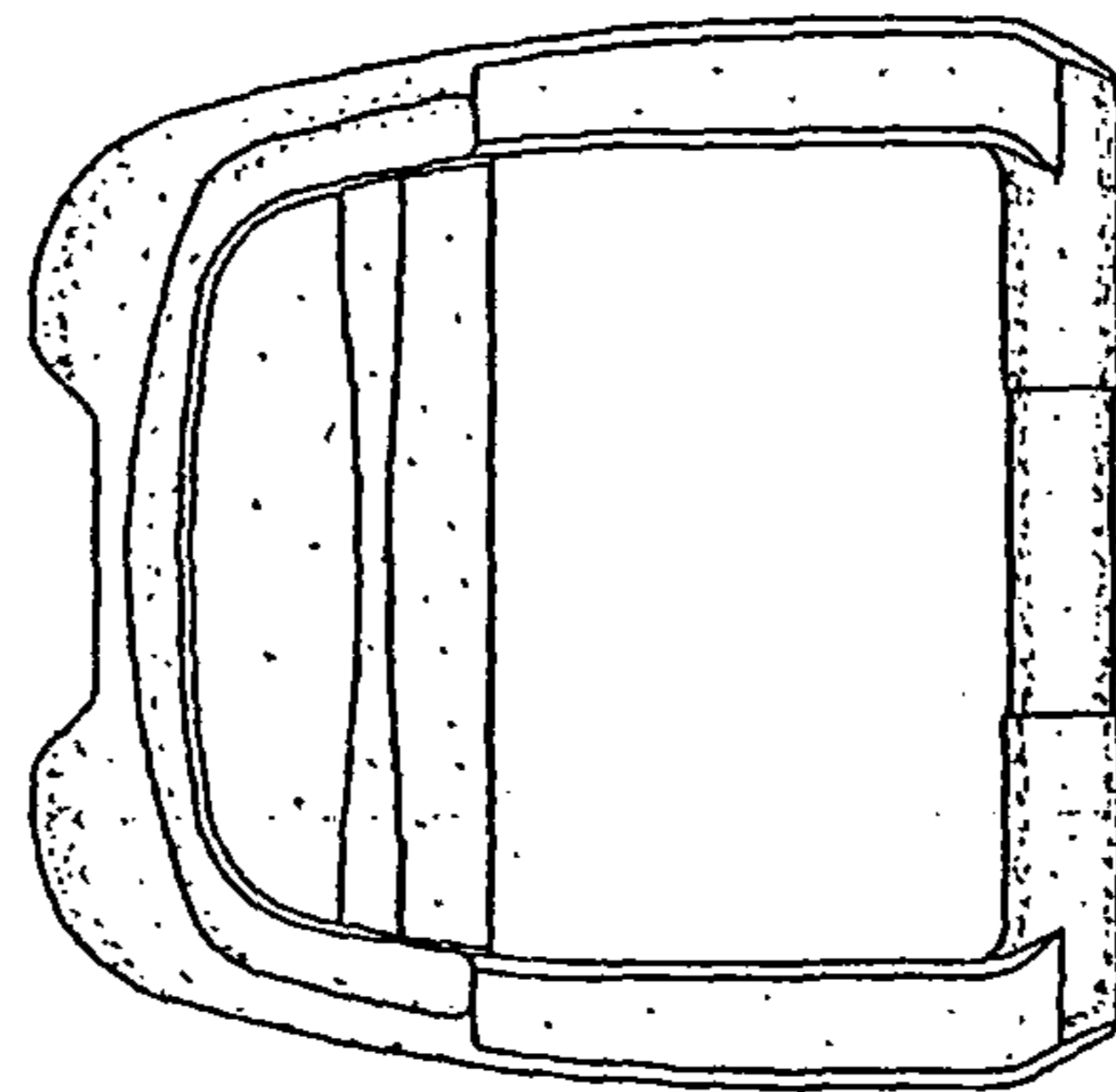


FIG. 12

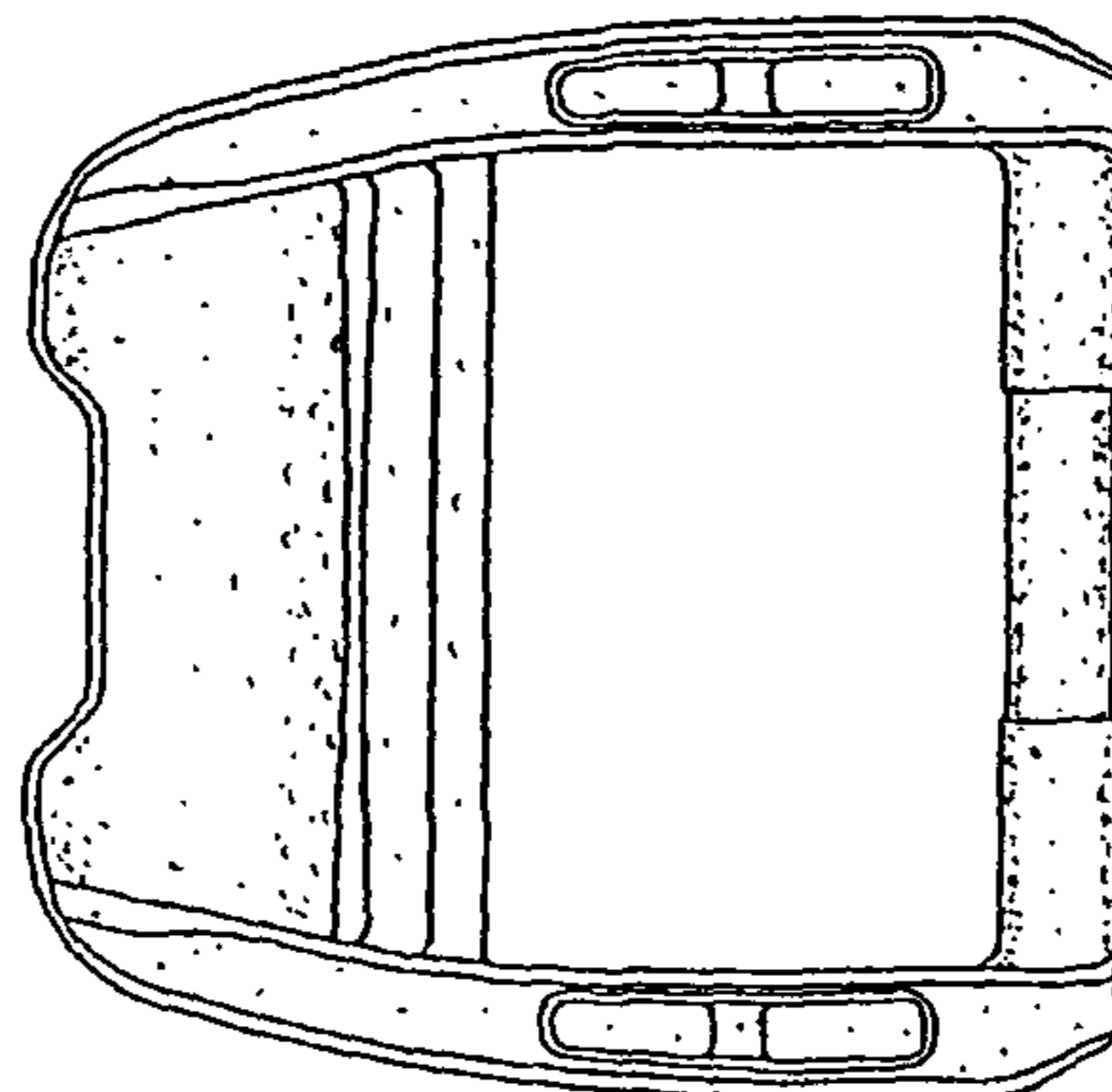


FIG. 13

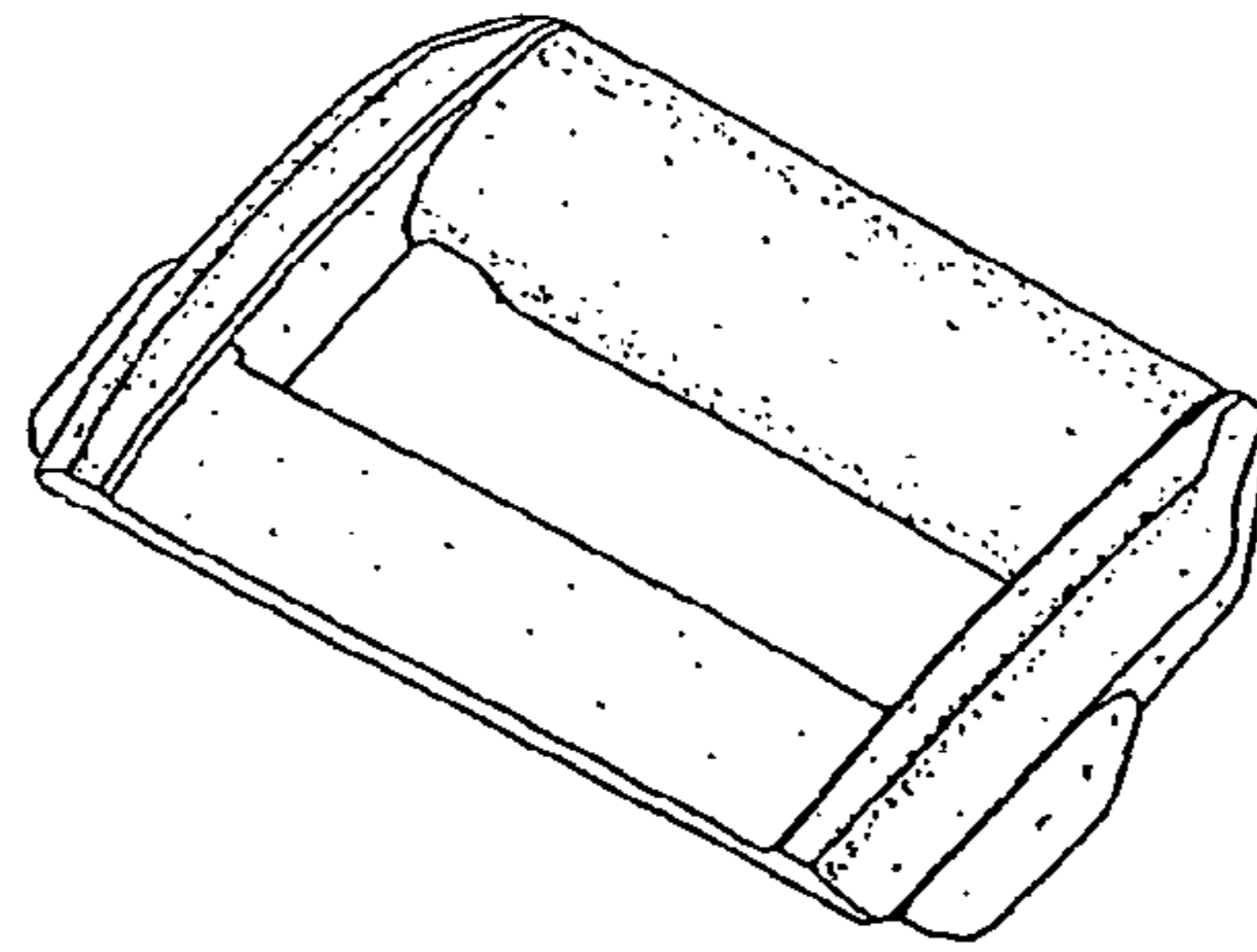


FIG. 14

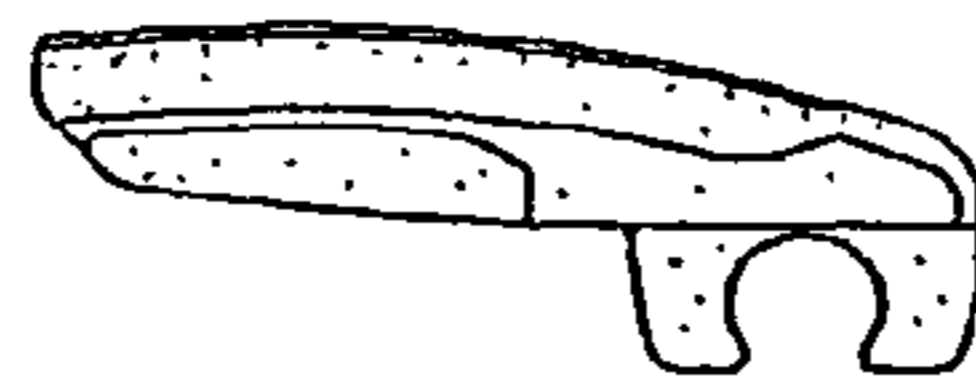


FIG. 15

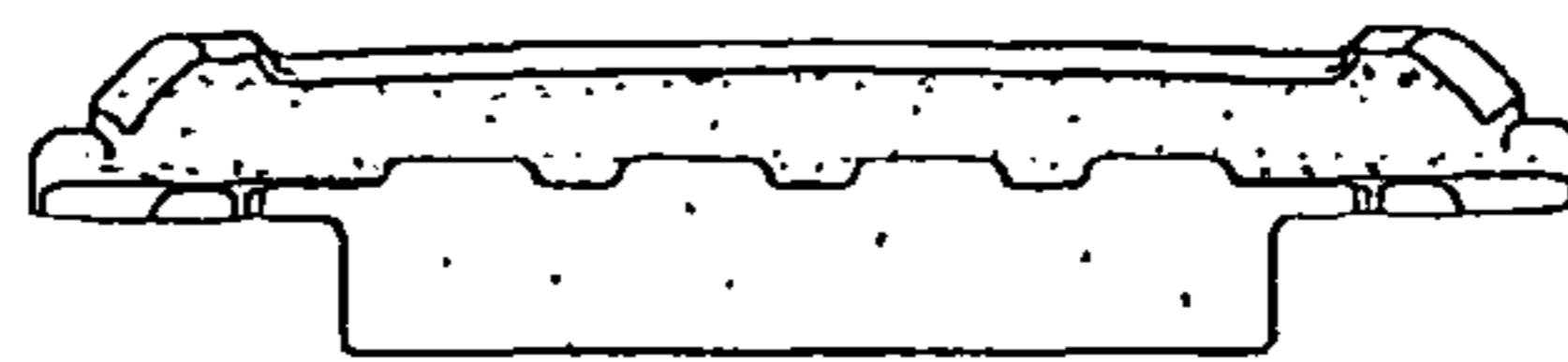


FIG. 16

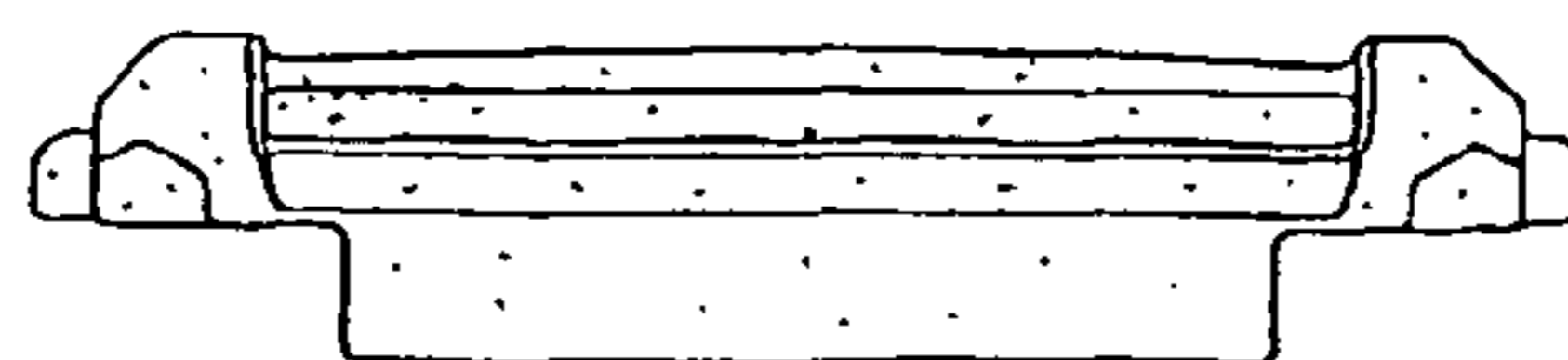


FIG. 17

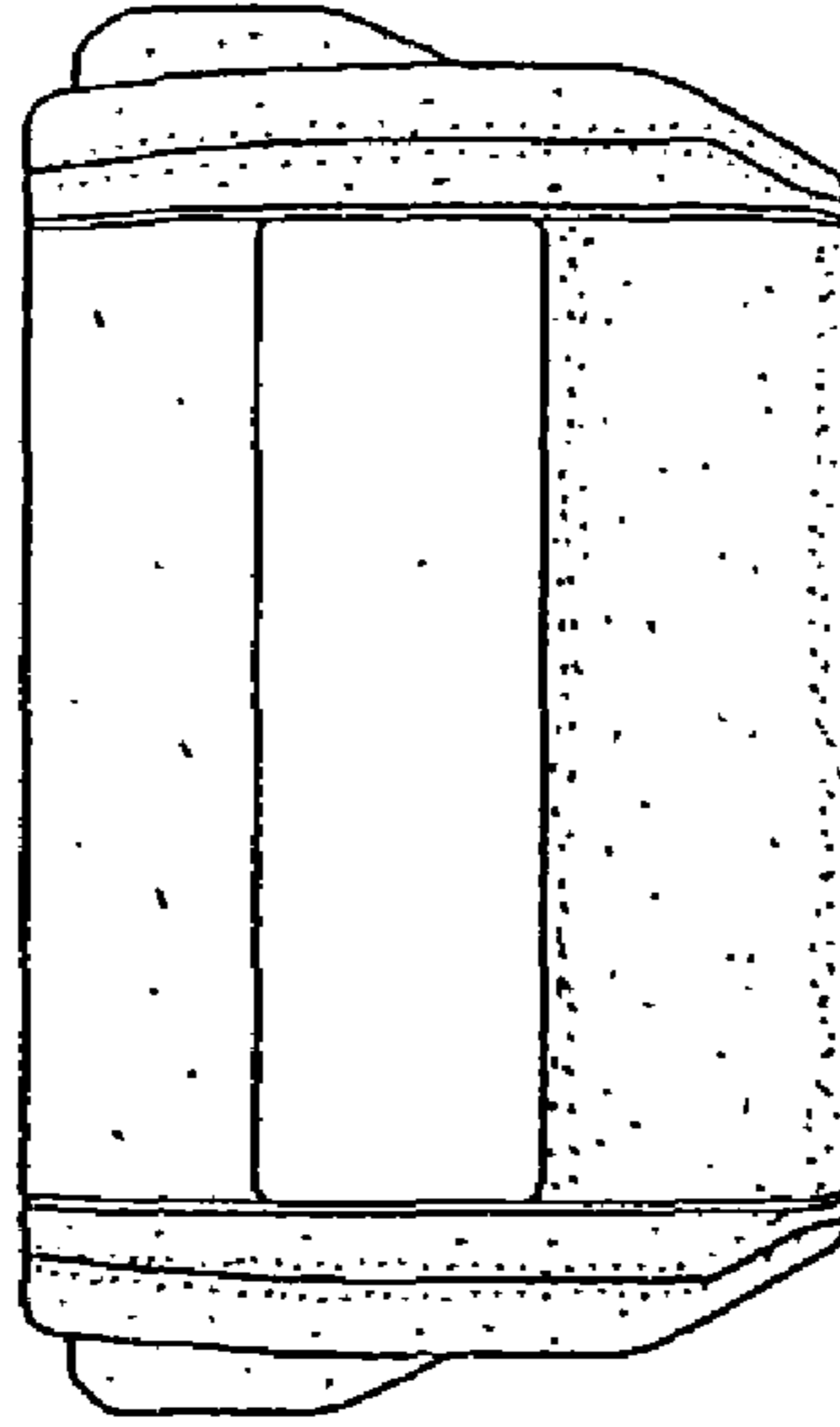


FIG. 18

