

US00D650717S

(12) **United States Design Patent**
Greubel et al.

(10) **Patent No.:** **US D650,717 S**

(45) **Date of Patent:** **** Dec. 20, 2011**

(54) **WATCH MOVEMENT BALANCE PART**

(75) Inventors: **Robert Greubel**, Lignières (CH);
Stephen Forsey, Les Brenets (CH);
Christophe Zwahlen, La Brévine (CH)

(73) Assignee: **Complitime SA**, La Chaux-de-Fonds
(CH)

(**) Term: **14 Years**

(21) Appl. No.: **29/394,392**

(22) Filed: **Jun. 16, 2011**

(30) **Foreign Application Priority Data**

Dec. 20, 2010 (WO) DM/075 391

(51) **LOC (9) Cl.** **10-07**

(52) **U.S. Cl.** **D10/128**

(58) **Field of Classification Search** D10/128,
D10/129; 368/169, 171, 127, 161, 202, 158,
368/170

See application file for complete search history.

(56) **References Cited**

U.S. PATENT DOCUMENTS

455,787 A * 7/1891 Bilgram 368/171
798,993 A * 9/1905 Culman 368/171

2,061,047 A *	11/1936	Schweitzer, Jr.	368/126
3,111,807 A *	11/1963	Cloux	368/169
3,382,667 A *	5/1968	Van Horn	368/171
3,742,700 A *	7/1973	Schneider	368/169
6,520,674 B1 *	2/2003	Tokoro	368/127
6,666,575 B2 *	12/2003	Scheufele	368/127
D505,342 S *	5/2005	Hayek	D10/39
7,661,875 B2 *	2/2010	Verardo et al.	368/171
7,927,008 B2 *	4/2011	Colpo et al.	368/127
2011/0103196 A1 *	5/2011	Buhler et al.	368/169

* cited by examiner

Primary Examiner — Lucy Lieberman

(74) *Attorney, Agent, or Firm* — Collen IP; Donald J. Ranft

(57) **CLAIM**

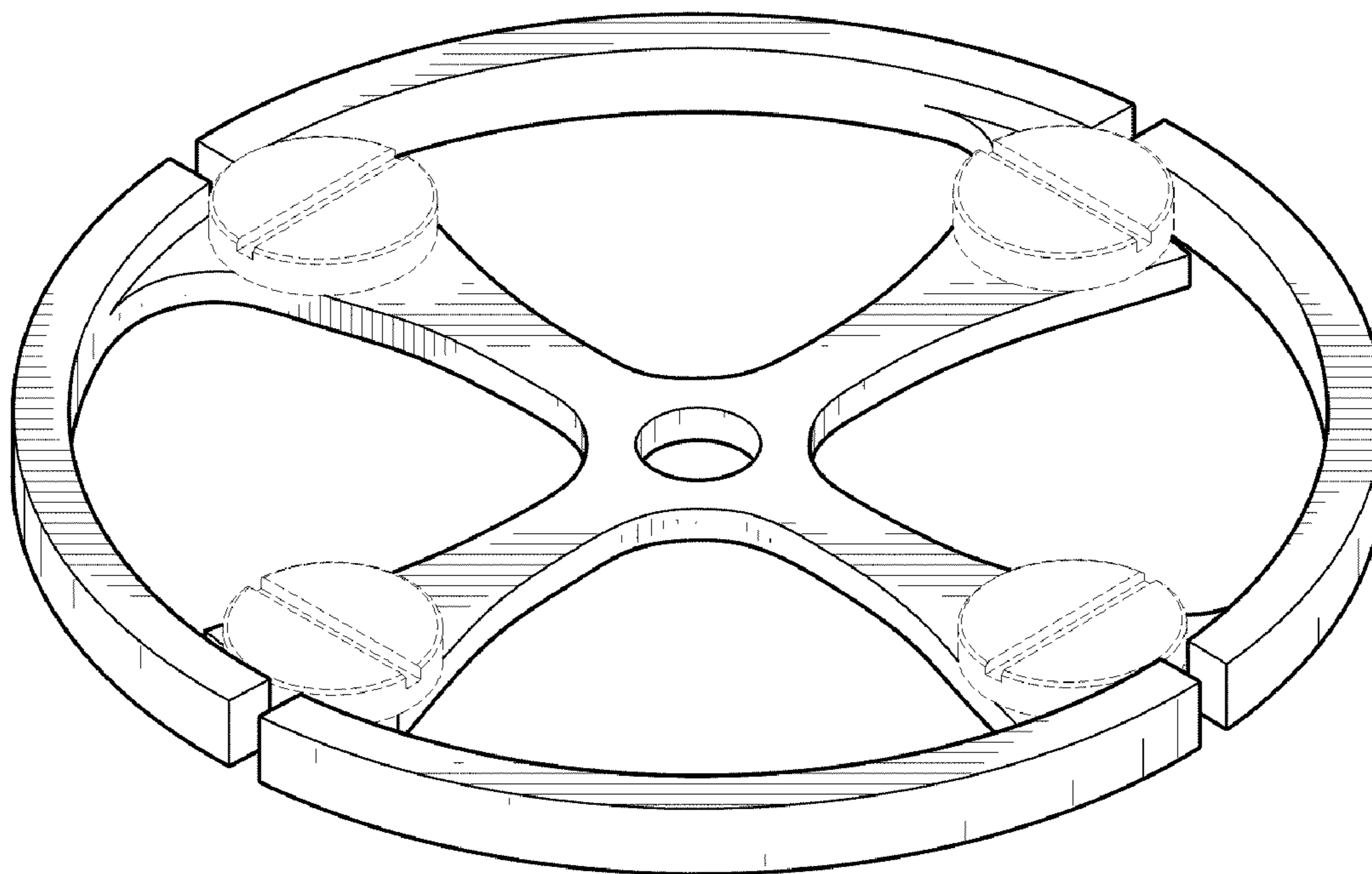
The ornamental design for a watch movement balance part, as shown and described.

DESCRIPTION

FIG. 1 is a top perspective view of a watch movement balance part showing our new design; FIG. 2 is a front view thereof; FIG. 3 is a rear view thereof; FIG. 4 is a left side view thereof; FIG. 5 is a right side view thereof; FIG. 6 is a top view thereof; and, FIG. 7 is a bottom thereof.

The portions of the watch movement balance part shown in broken lines form no part of the claimed design.

1 Claim, 5 Drawing Sheets



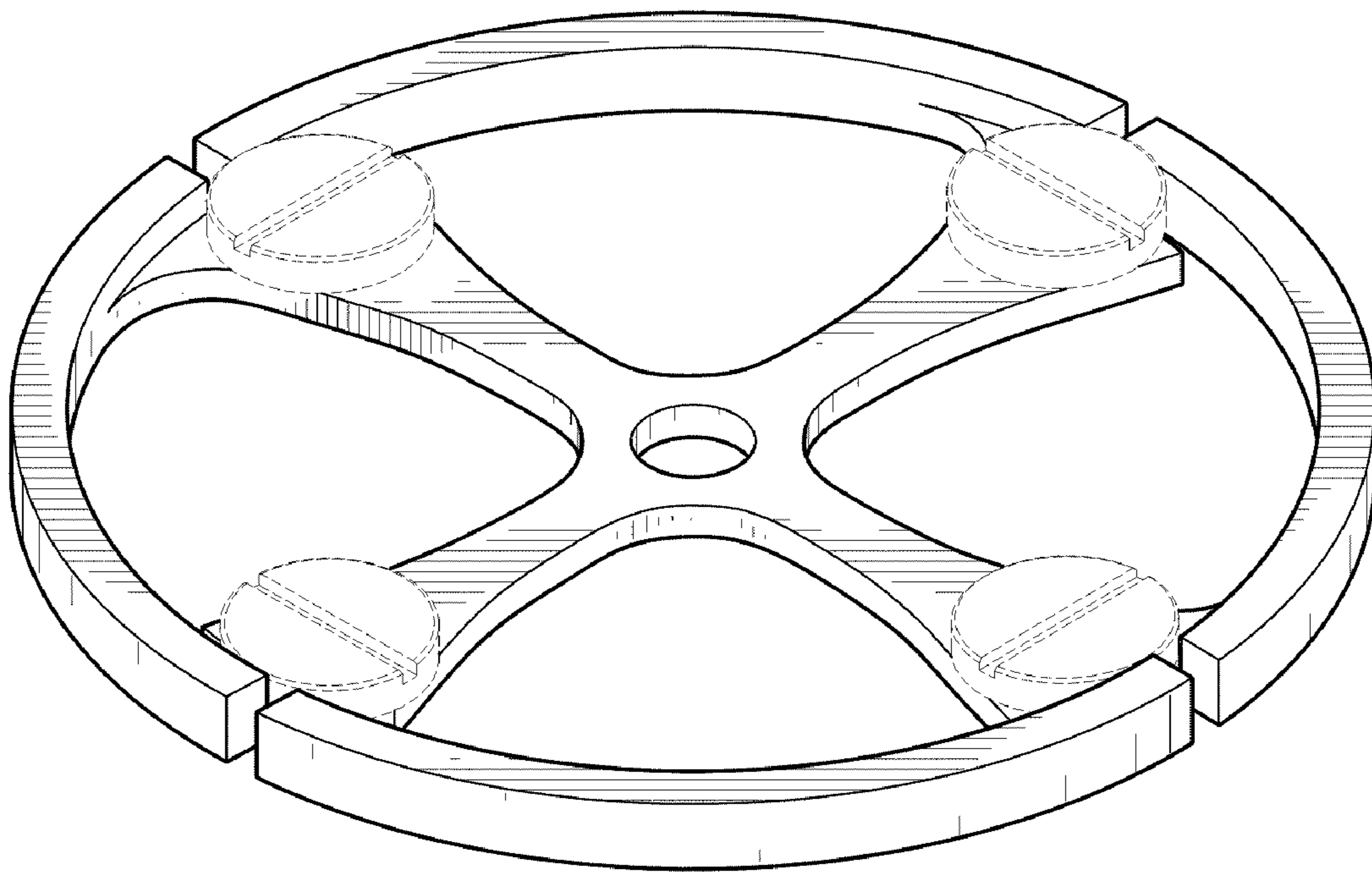


FIG. 1

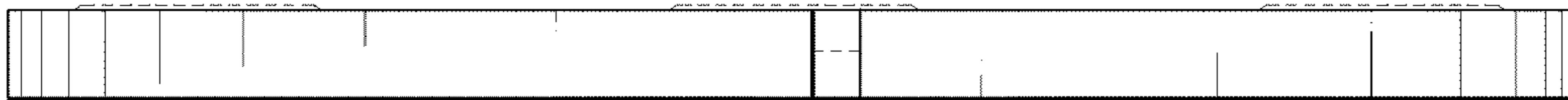


FIG. 2

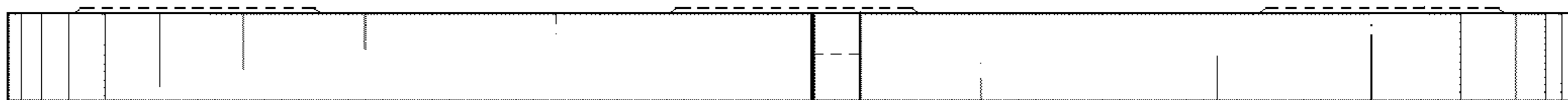


FIG. 3

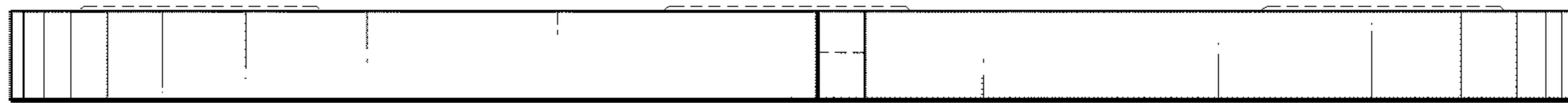


FIG. 4

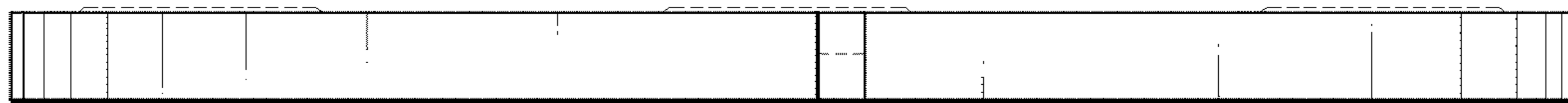


FIG. 5

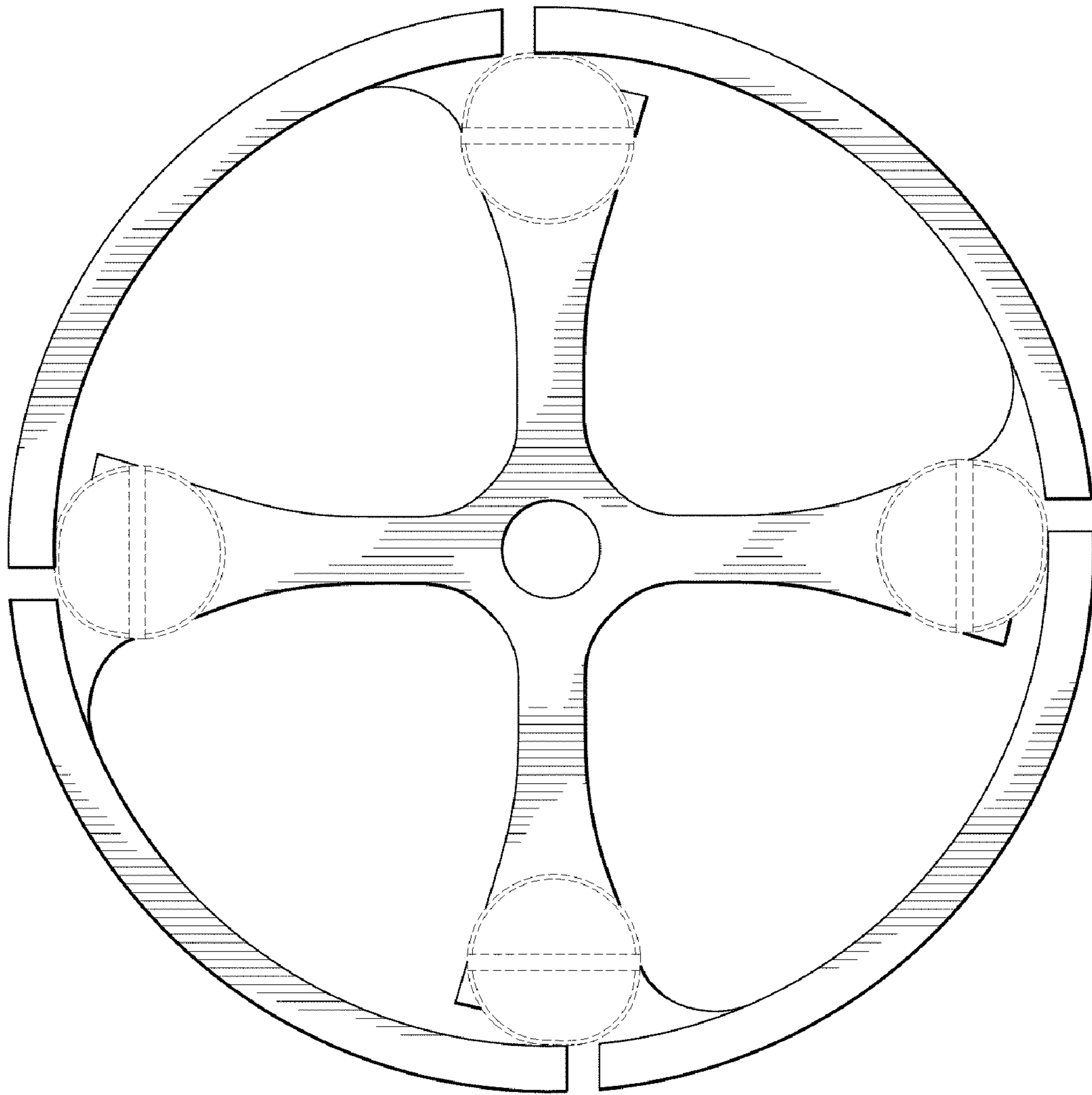


FIG. 6

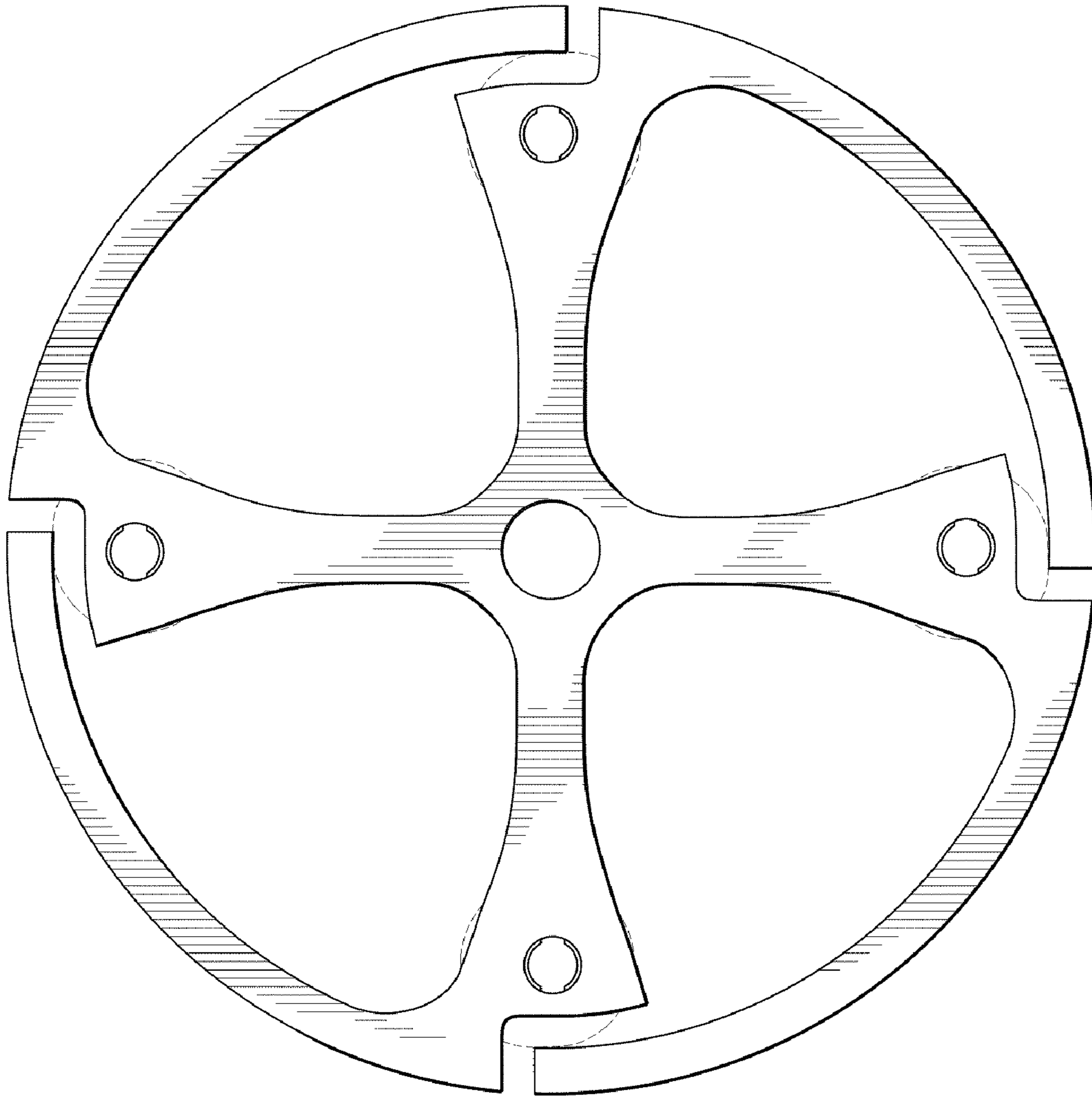


FIG. 7