



US00D650712S

(12) **United States Design Patent**  
**Everett et al.**

(10) **Patent No.:** **US D650,712 S**

(45) **Date of Patent:** **\*\* Dec. 20, 2011**

(54) **TAPE MEASURE HOUSING**

(75) Inventors: **Peter James Everett**, Collinsville, CT (US); **Philip J. Nathan**, Royal Oak, MI (US)

(73) Assignee: **Apex Brands, Inc.**, Sparks, MD (US)

(\*\*) Term: **14 Years**

(21) Appl. No.: **29/377,702**

(22) Filed: **Oct. 25, 2010**

(51) **LOC (9) Cl.** ..... **10-04**

(52) **U.S. Cl.** ..... **D10/72**

(58) **Field of Classification Search** ..... D10/72,  
D10/74; 33/755-771; 242/285, 291, 379,  
242/379.1, 379.2, 381, 381.1-381.6, 405

See application file for complete search history.

(56) **References Cited**

**U.S. PATENT DOCUMENTS**

D289,742 S	5/1987	Blakely et al.	
D311,874 S	11/1990	Ingram, II et al.	
D318,815 S *	8/1991	Chapin	D10/72
D342,687 S	12/1993	Kang	
5,746,004 A	5/1998	Wertheim	
D396,816 S	8/1998	Kang	
D397,304 S	8/1998	Kang	
D397,950 S	9/1998	Blackman et al.	
D409,103 S	5/1999	Li	
D413,535 S	9/1999	Li	
D419,081 S	1/2000	Evans, Jr. et al.	
D424,955 S	5/2000	Hizawa et al.	
D438,129 S *	2/2001	Li	D10/72
D439,176 S *	3/2001	Lin	D10/72
D441,309 S	5/2001	Evans, Jr. et al.	
D449,546 S	10/2001	Lee	

6,324,769 B1	12/2001	Murray	
D453,302 S *	2/2002	Liu	D10/72
D458,163 S	6/2002	Kang	
D459,253 S *	6/2002	von Wedemeyer	D10/72
D461,136 S *	8/2002	Lin	D10/72
6,449,866 B1	9/2002	Murray	
D471,473 S	3/2003	Blackman et al.	
D476,913 S	7/2003	Blackman et al.	
6,643,947 B2	11/2003	Murray	
D487,025 S	2/2004	Grunstad et al.	
D490,005 S	5/2004	Hsu	
D504,628 S	5/2005	Weeks et al.	
D559,712 S	1/2008	Critelli	
D579,359 S	10/2008	Critelli et al.	
D590,283 S	4/2009	Critelli et al.	
D590,284 S	4/2009	Critelli et al.	

\* cited by examiner

*Primary Examiner* — Antoine D Davis

(74) *Attorney, Agent, or Firm* — Coats & Bennett, P.L.L.C.

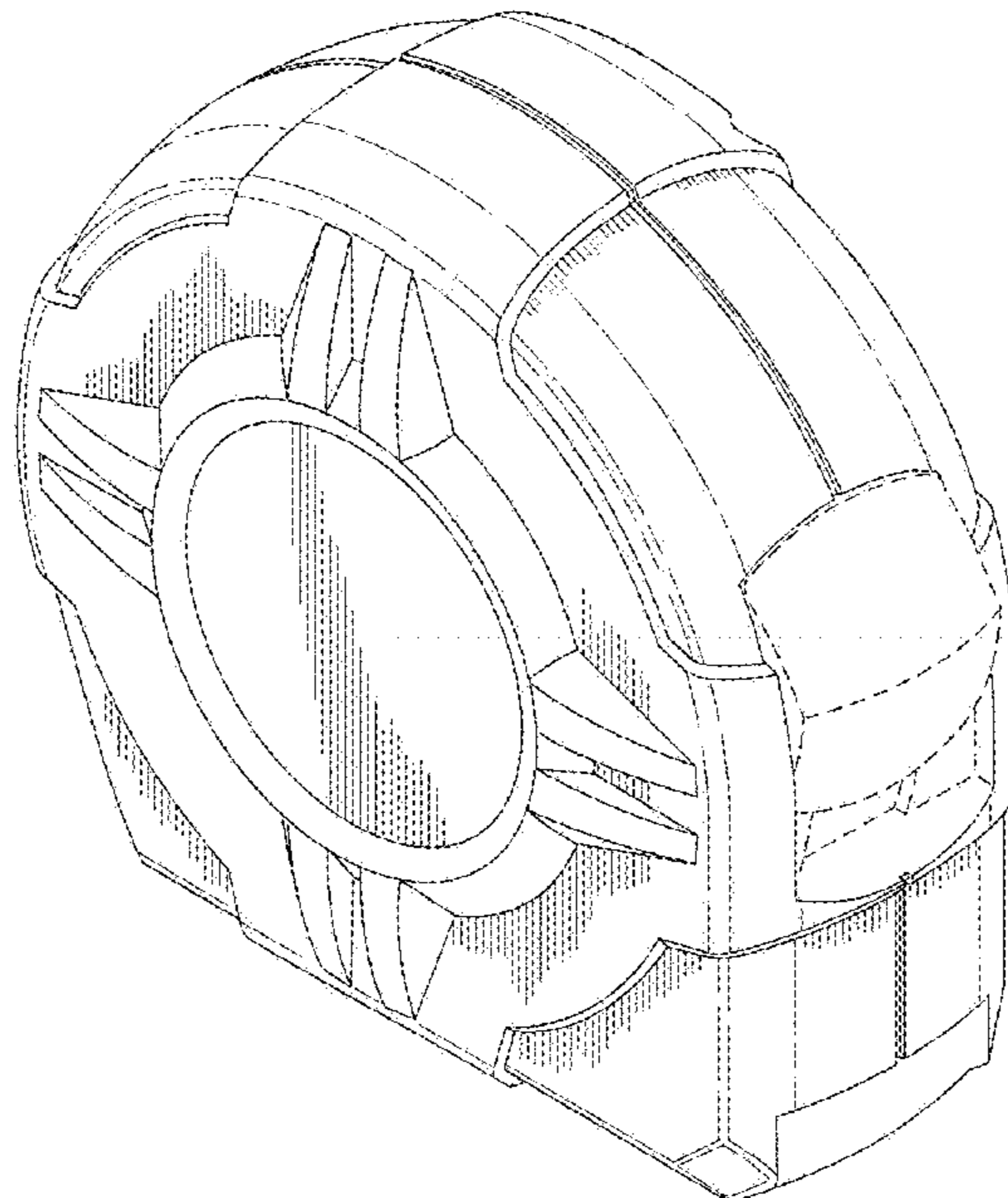
(57) **CLAIM**

The ornamental design for a tape measure housing, as shown and described.

**DESCRIPTION**

FIG. 1 is a front perspective view of a tape measure housing showing my design.  
FIG. 2 is a left side view thereof.  
FIG. 3 is a right side view thereof.  
FIG. 4 is a front view thereof.  
FIG. 5 is a rear view thereof.  
FIG. 6 is a top view thereof; and,  
FIG. 7 is a bottom view thereof.  
The broken lines are environmental only and form no part of the claimed design.

**1 Claim, 7 Drawing Sheets**



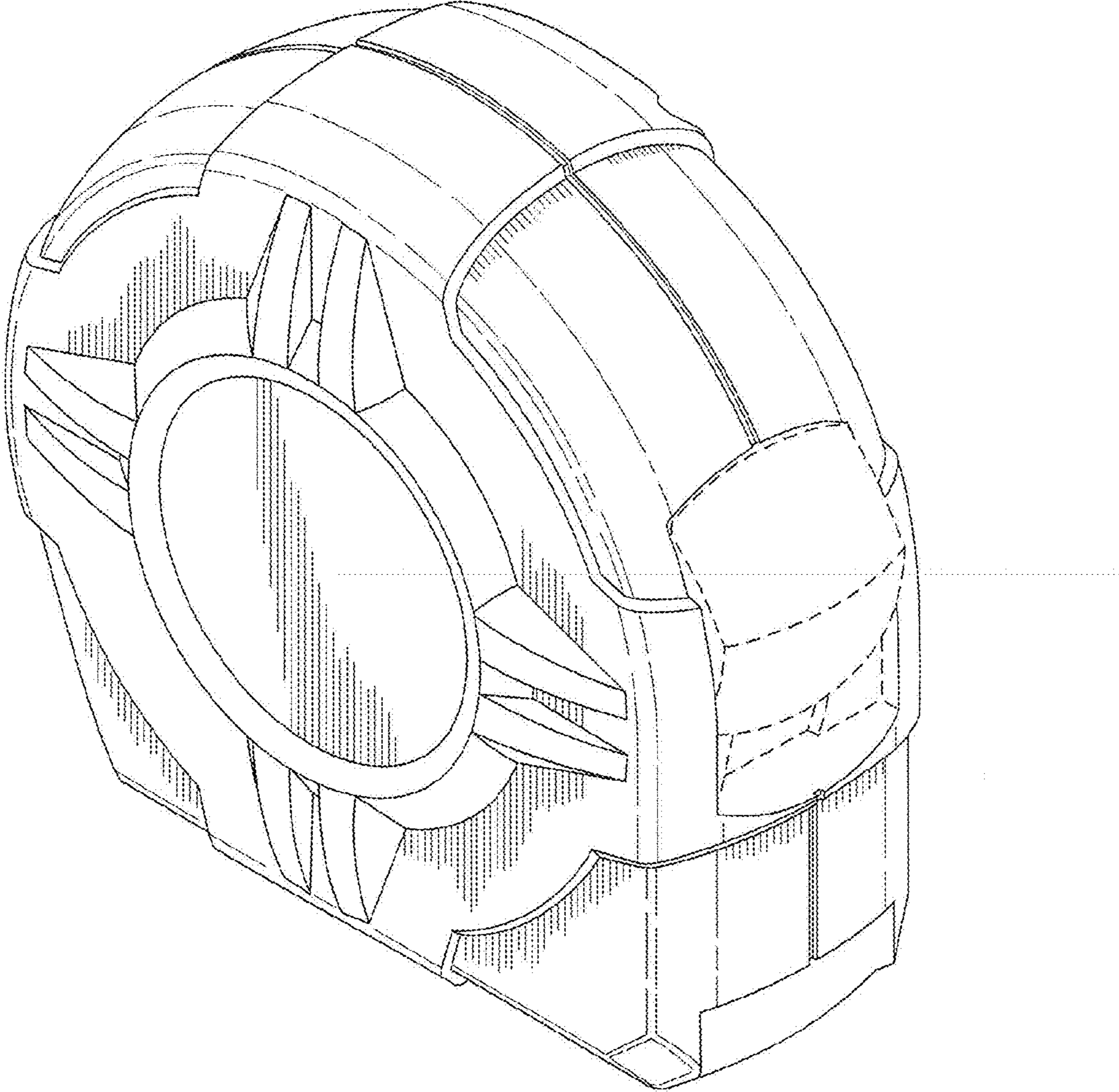
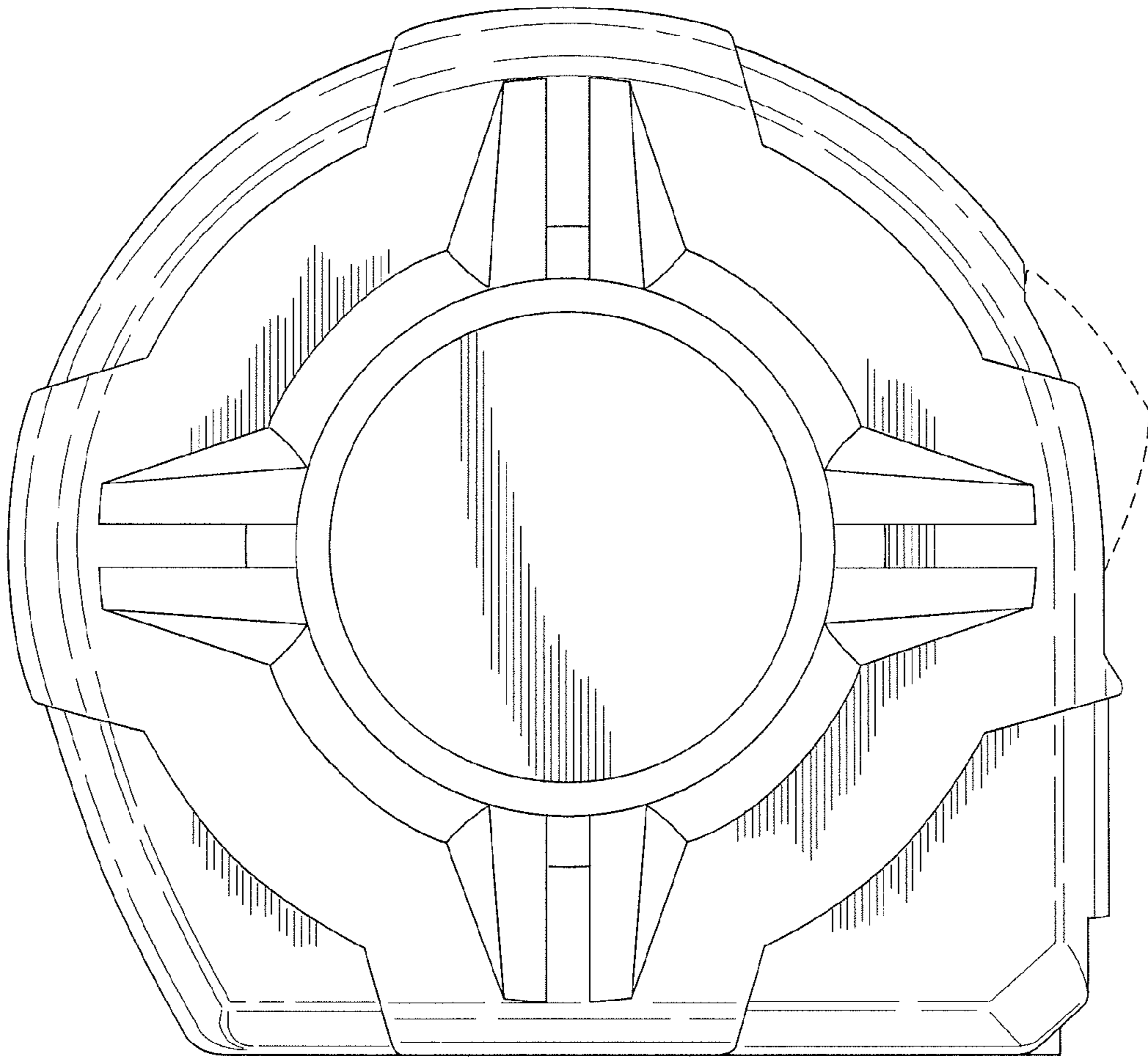


FIG. 1



**FIG. 2**



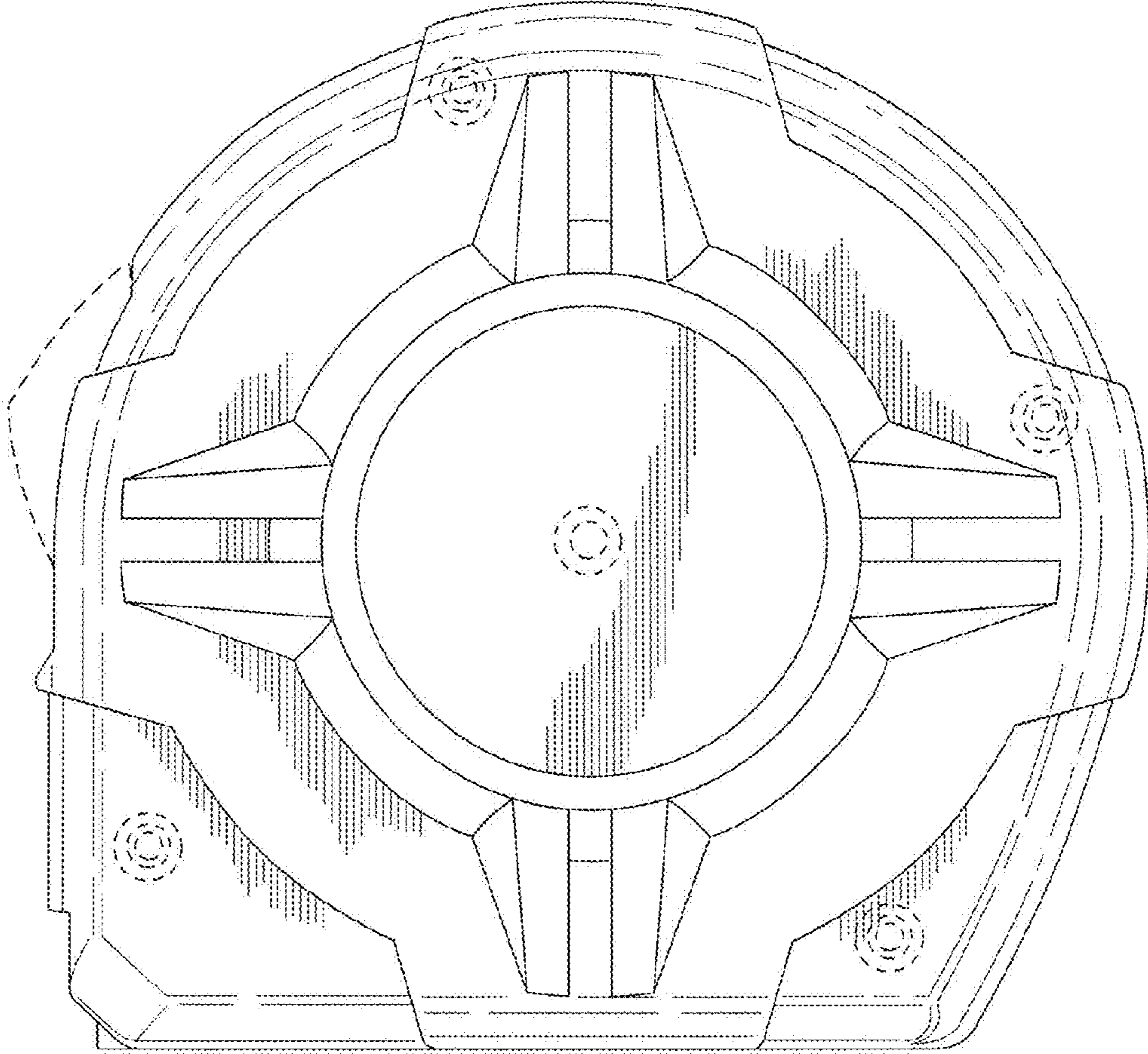
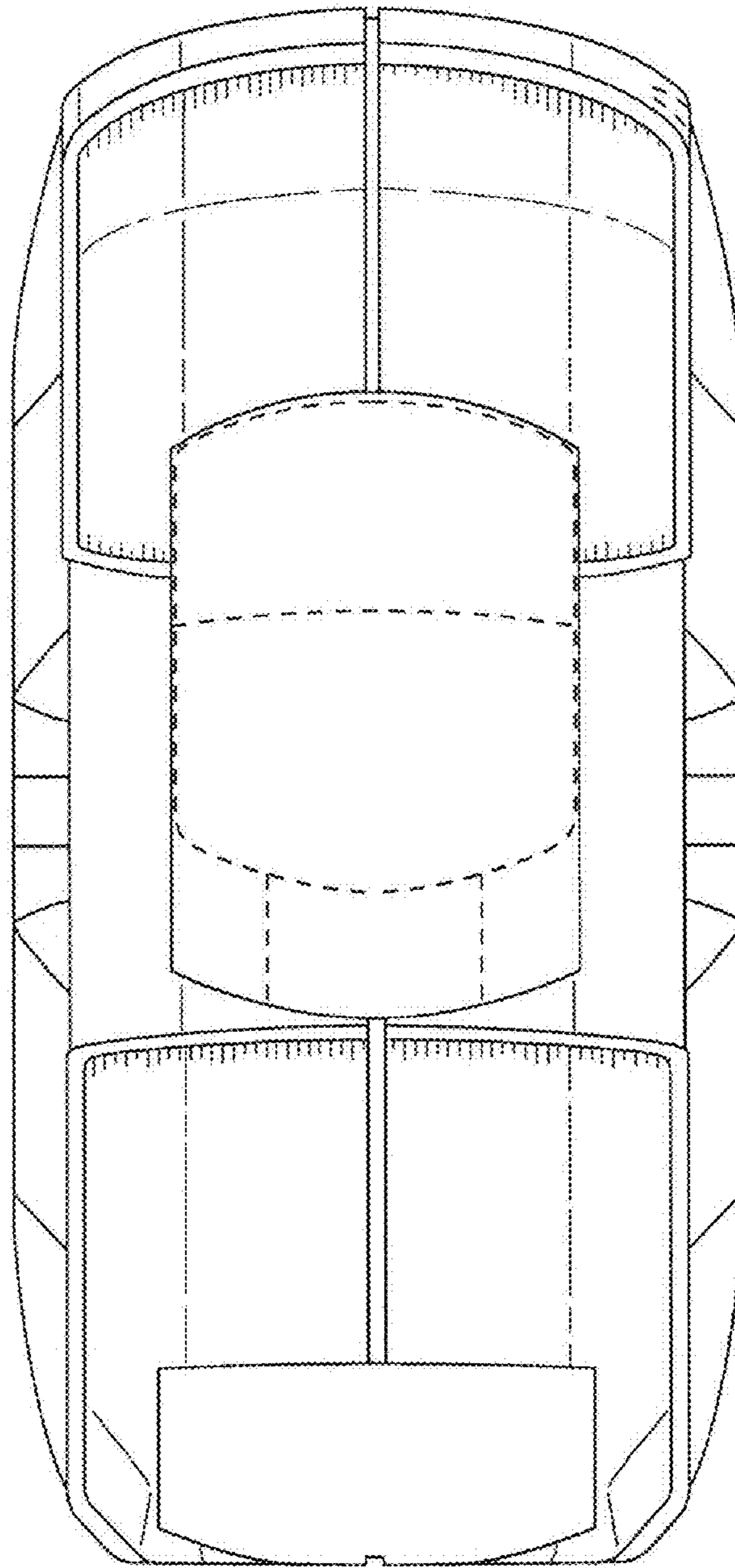
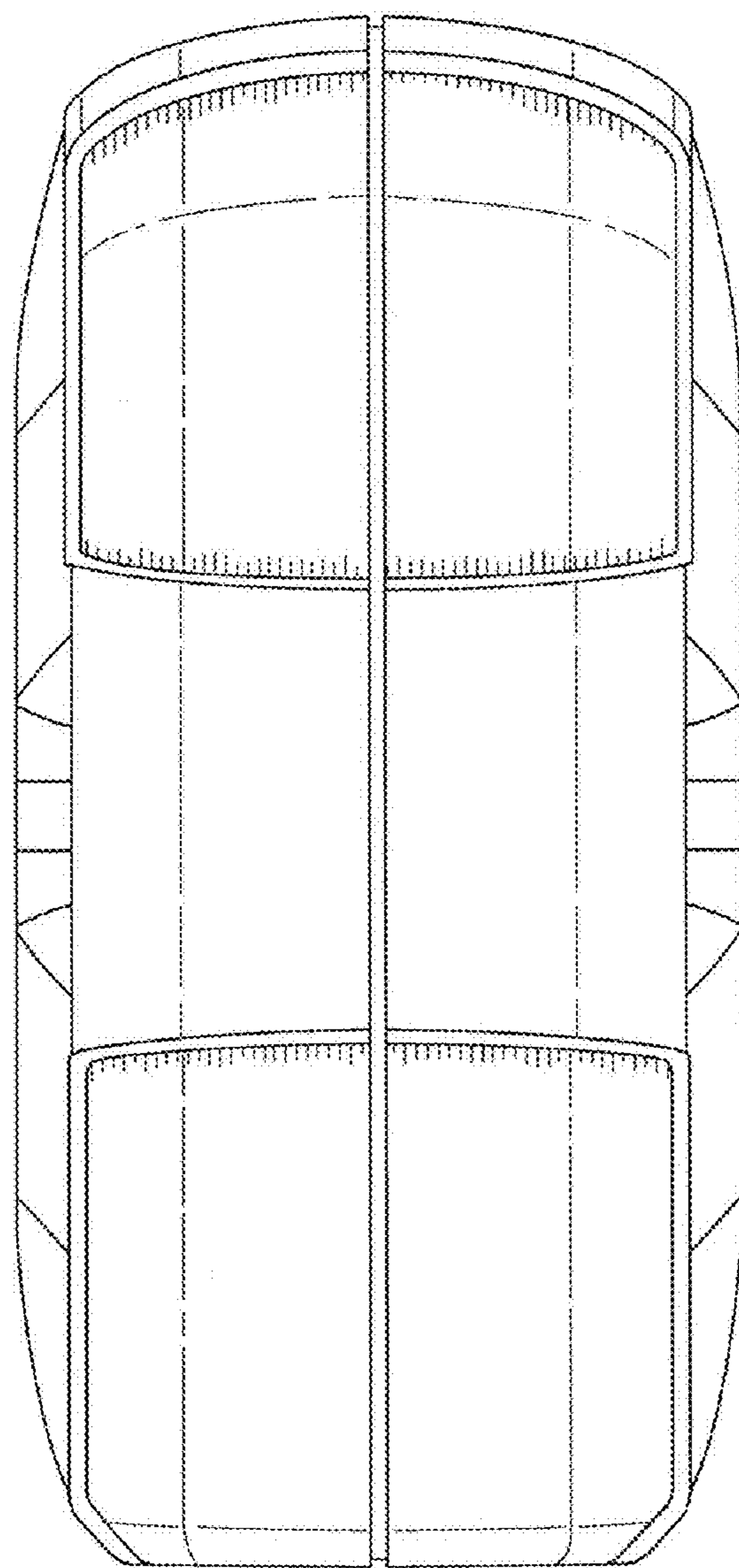


FIG. 3



**FIG. 4**



**FIG. 5**

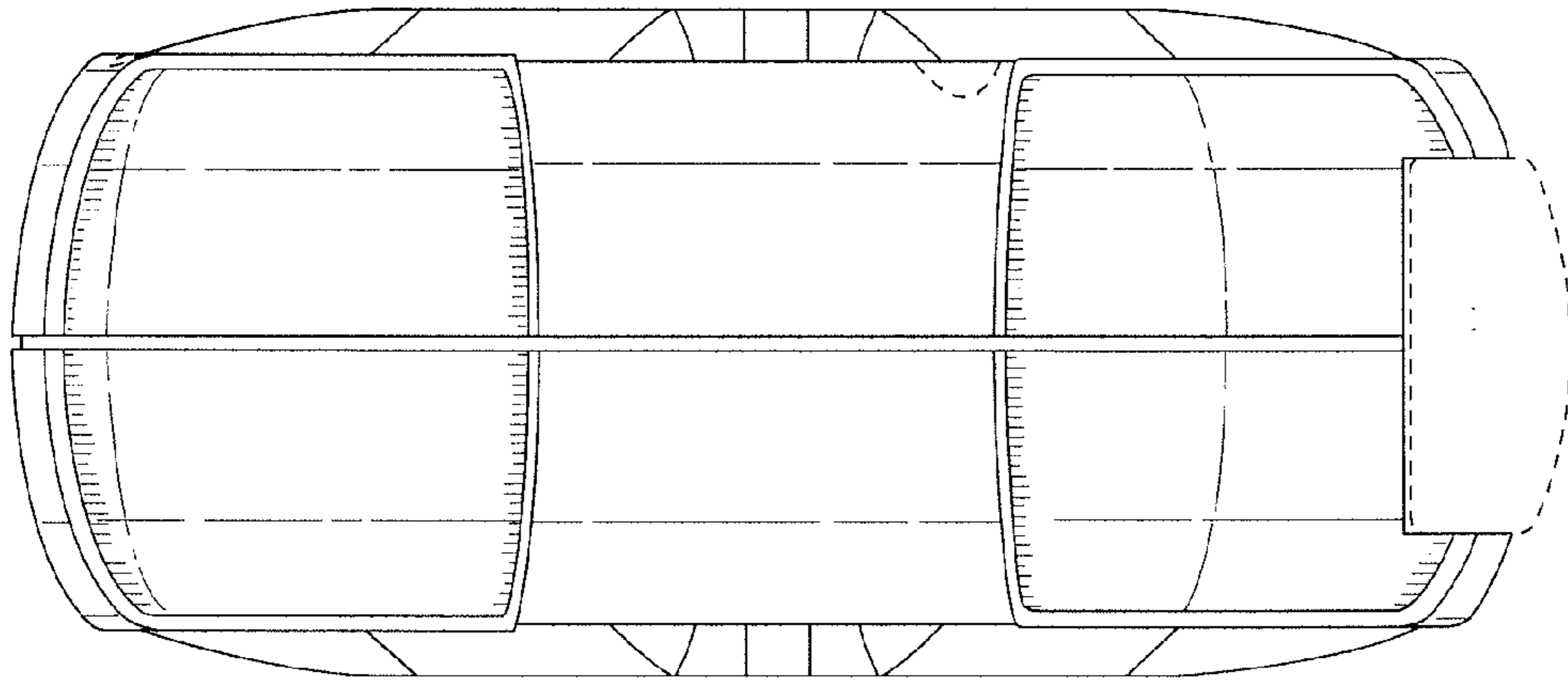


FIG. 6

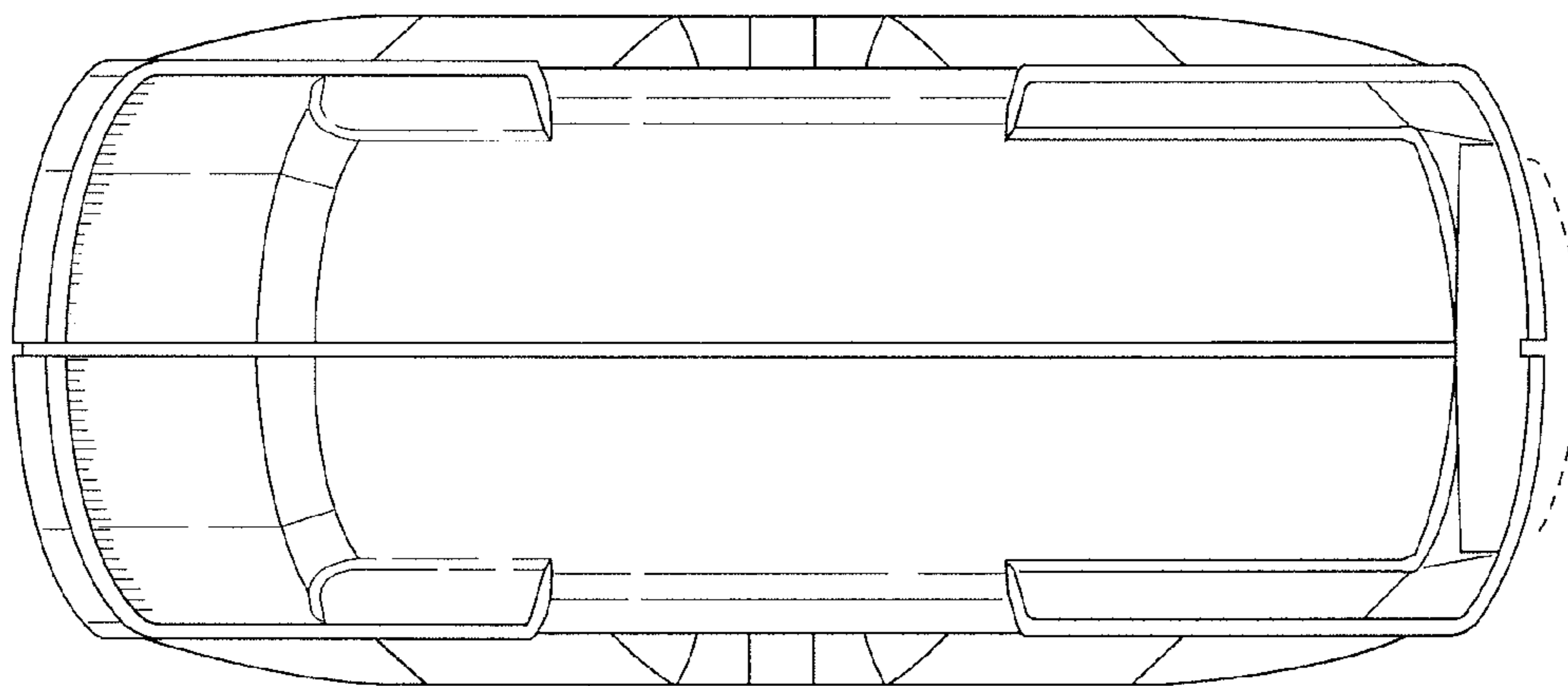


FIG. 7