



US00D650709S

(12) **United States Design Patent**
Duport et al.

(10) **Patent No.:** **US D650,709 S**
(45) **Date of Patent:** **** Dec. 20, 2011**

(54) **WATCH**

(75) Inventors: **Fabrice Duport**, Peseux (CH);
Fernando Soares, Le Landeron (CH)

(73) Assignee: **Tiffany Watch Co. Ltd. (Montres Tiffany SA) (Tiffany Uhren AG)**,
Biel/Bienne (CH)

(**) Term: **14 Years**

(21) Appl. No.: **29/396,792**

(22) Filed: **Jul. 7, 2011**

Related U.S. Application Data

(62) Division of application No. 29/365,635, filed on Jul. 13, 2010.

(30) **Foreign Application Priority Data**

Jan. 13, 2010 (WO) DM/073 110

(51) **LOC (9) Cl.** **10-02**

(52) **U.S. Cl.** **D10/39**

(58) **Field of Classification Search** D10/30-39,
D10/122-126; 368/276, 281, 282, 285, 80,
368/223, 228, 232

See application file for complete search history.

(56) **References Cited**

U.S. PATENT DOCUMENTS

D202,061 S * 8/1965 Montese-Carusio D10/38
D244,761 S * 6/1977 Sulek D10/38
D351,799 S * 10/1994 Bulgari D10/39

D373,322 S * 9/1996 Helleu D10/125
D420,600 S * 2/2000 Gruosi-Scheufele D10/39
D455,970 S * 4/2002 Chia-Jeng D10/39
D462,909 S * 9/2002 Cattin D10/39
D473,802 S * 4/2003 Berliat D10/39
D518,389 S * 4/2006 Jorst et al. D10/38
D519,853 S * 5/2006 Sirmakes D10/32
D531,524 S * 11/2006 Behling D10/38
D572,620 S * 7/2008 Schoepfer D10/125
D577,611 S * 9/2008 Lalo D10/32
D577,612 S * 9/2008 Diltoer D10/38
D586,242 S * 2/2009 Schoepfer D10/39
D588,945 S * 3/2009 Arabo D10/39
D615,898 S * 5/2010 Dias D10/125
D617,212 S * 6/2010 Behling D10/38
D618,575 S * 6/2010 Duport et al. D10/126
D620,814 S * 8/2010 Duport et al. D10/38
D622,166 S * 8/2010 Monachon D10/39

* cited by examiner

Primary Examiner — Lucy Lieberman

(74) *Attorney, Agent, or Firm* — Collen IP; Donald J. Ranft

(57) **CLAIM**

The ornamental design for a watch, as shown.

DESCRIPTION

FIG. 1 is a front perspective view of a watch showing our new design;

FIG. 2 is a front view thereof;

FIG. 3 is a rear view thereof;

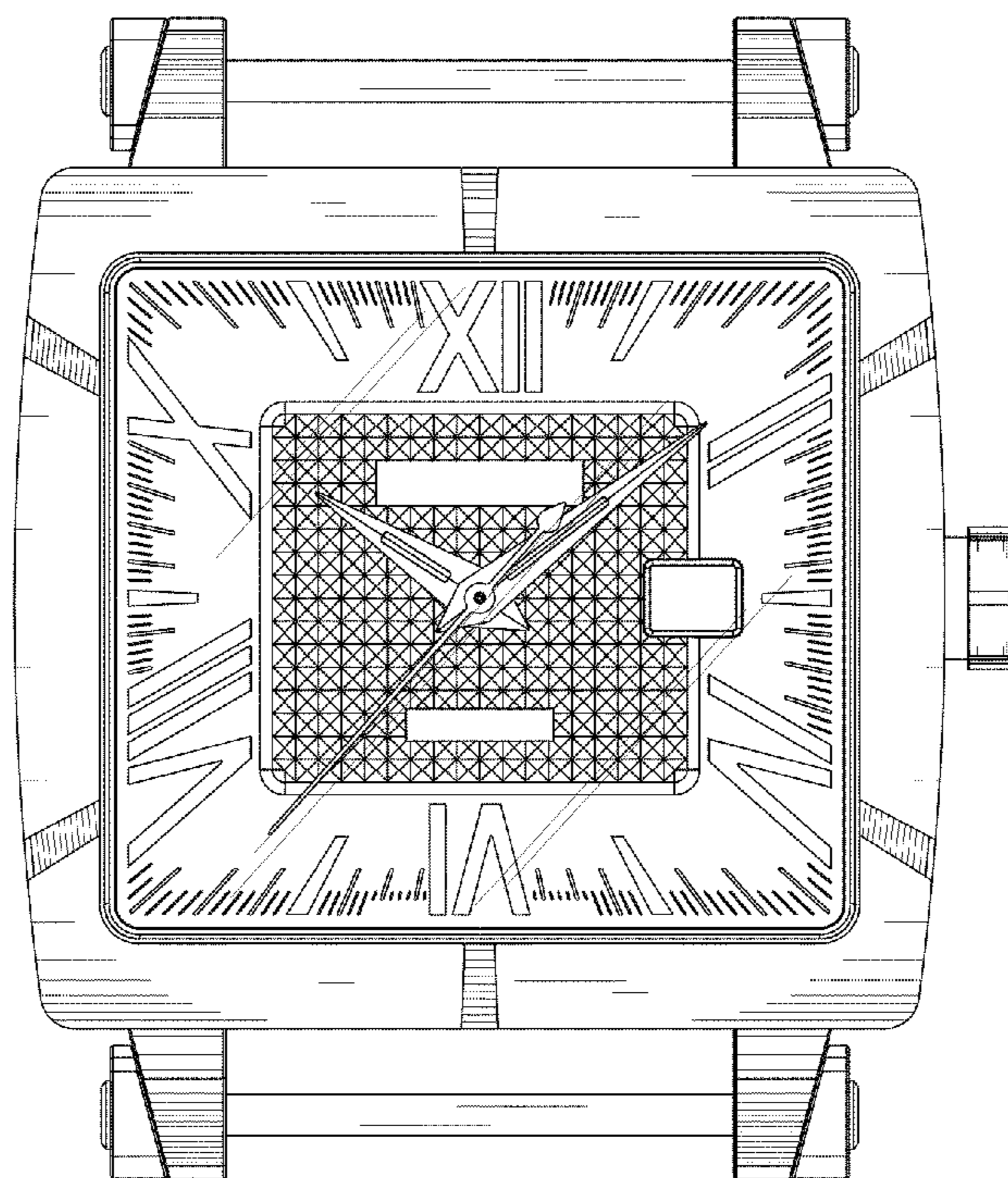
FIG. 4 is a top view thereof;

FIG. 5 is a bottom view thereof;

FIG. 6 is a left side view thereof; and,

FIG. 7 is a right side view thereof.

1 Claim, 5 Drawing Sheets



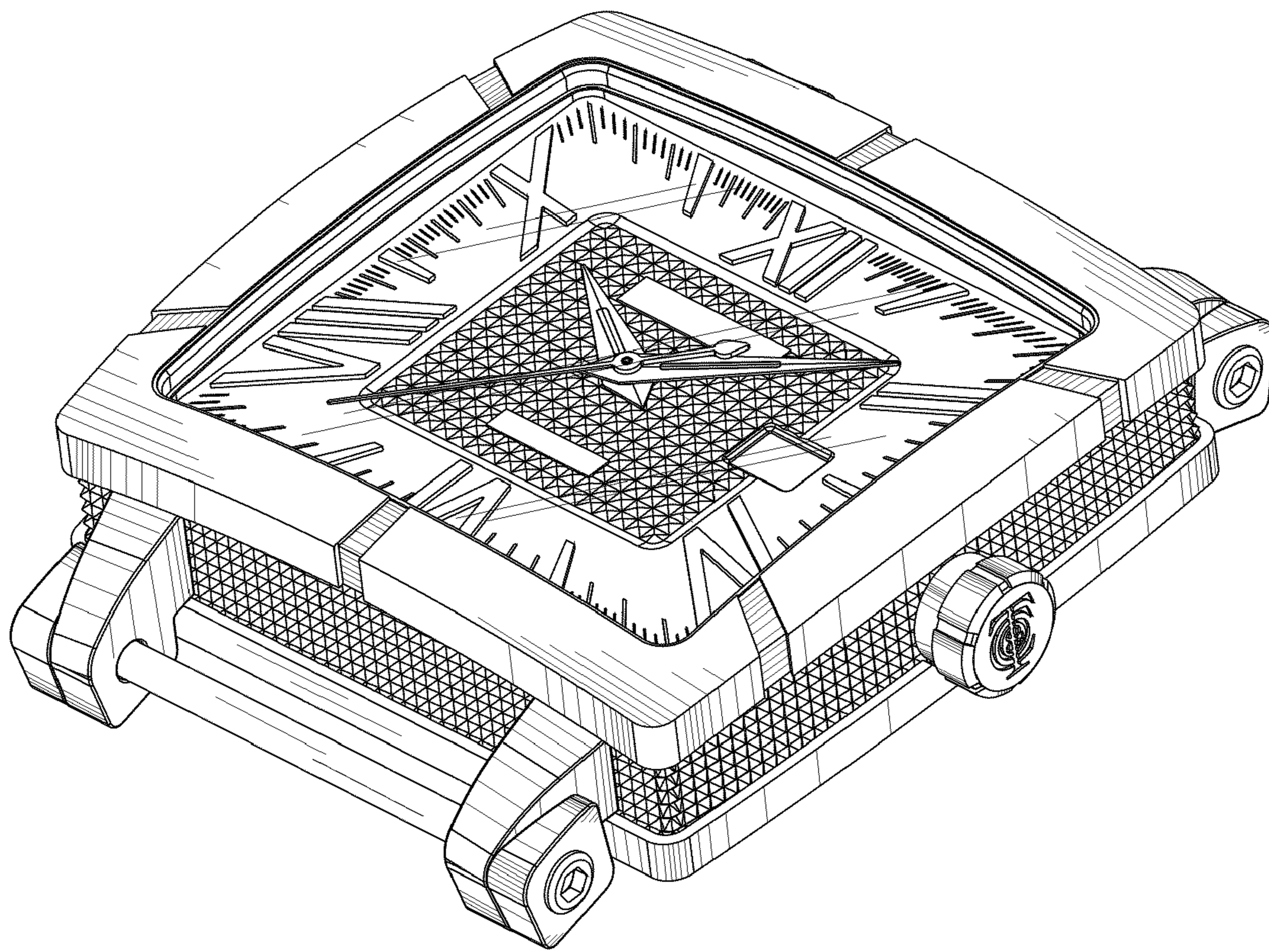


FIGURE 1

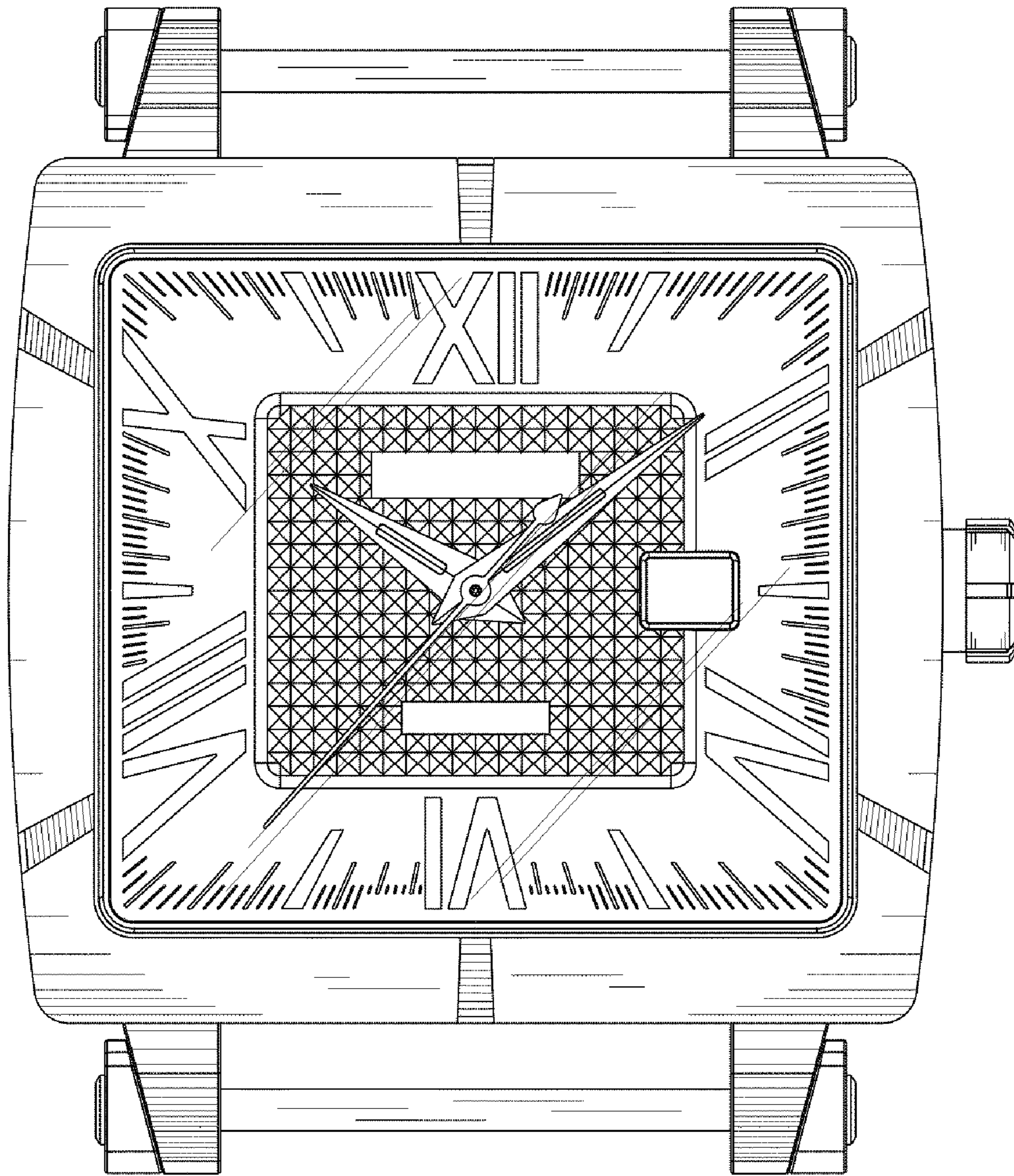


FIGURE 2

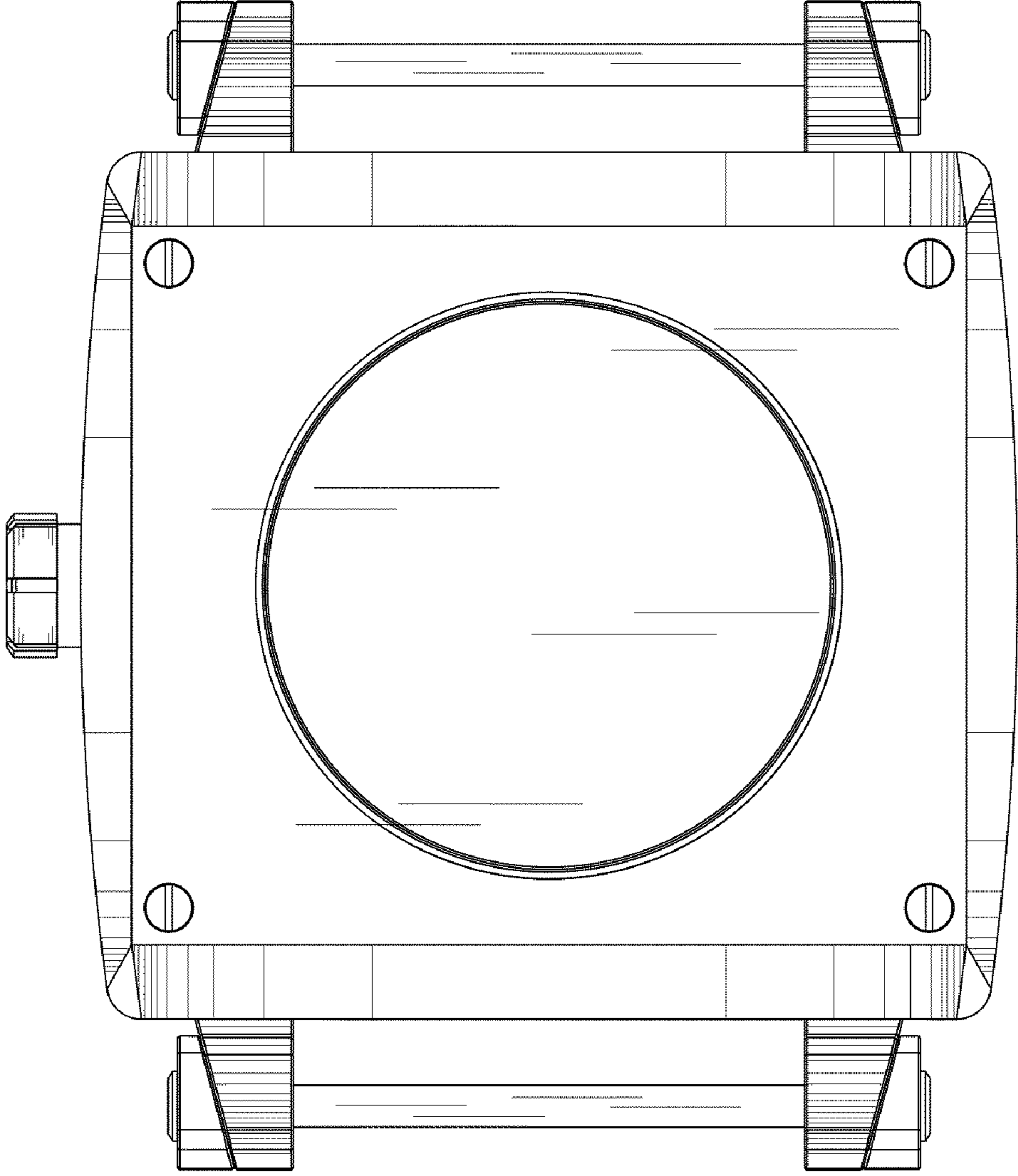


FIGURE 3

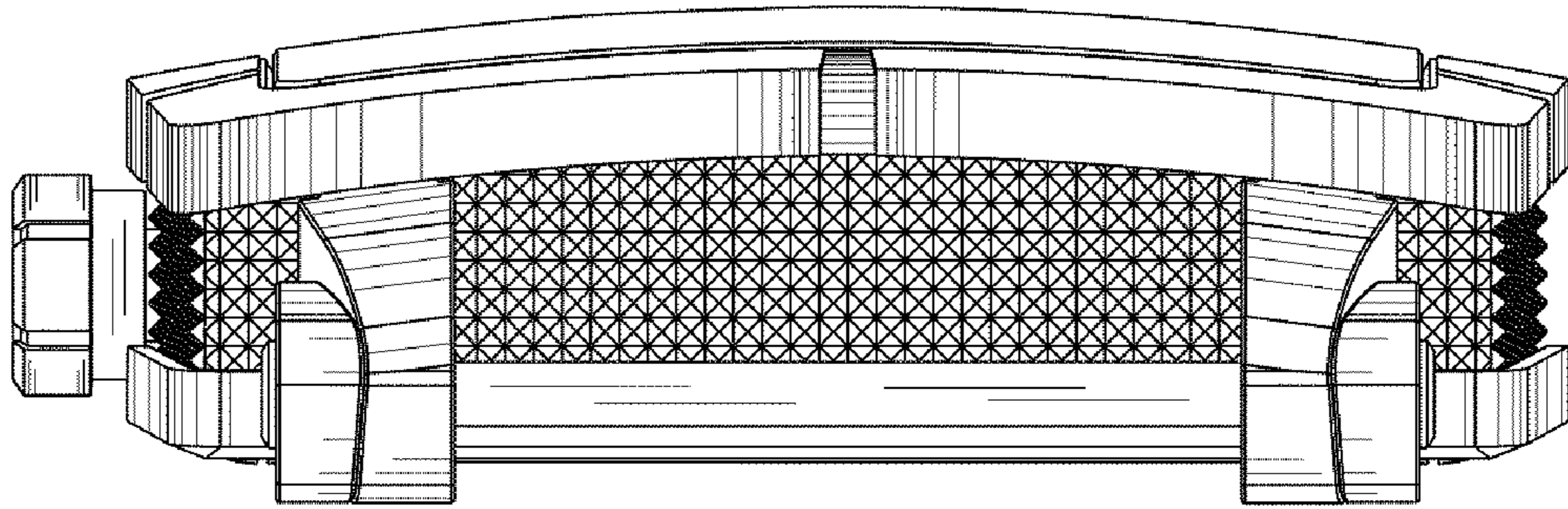


FIGURE 4

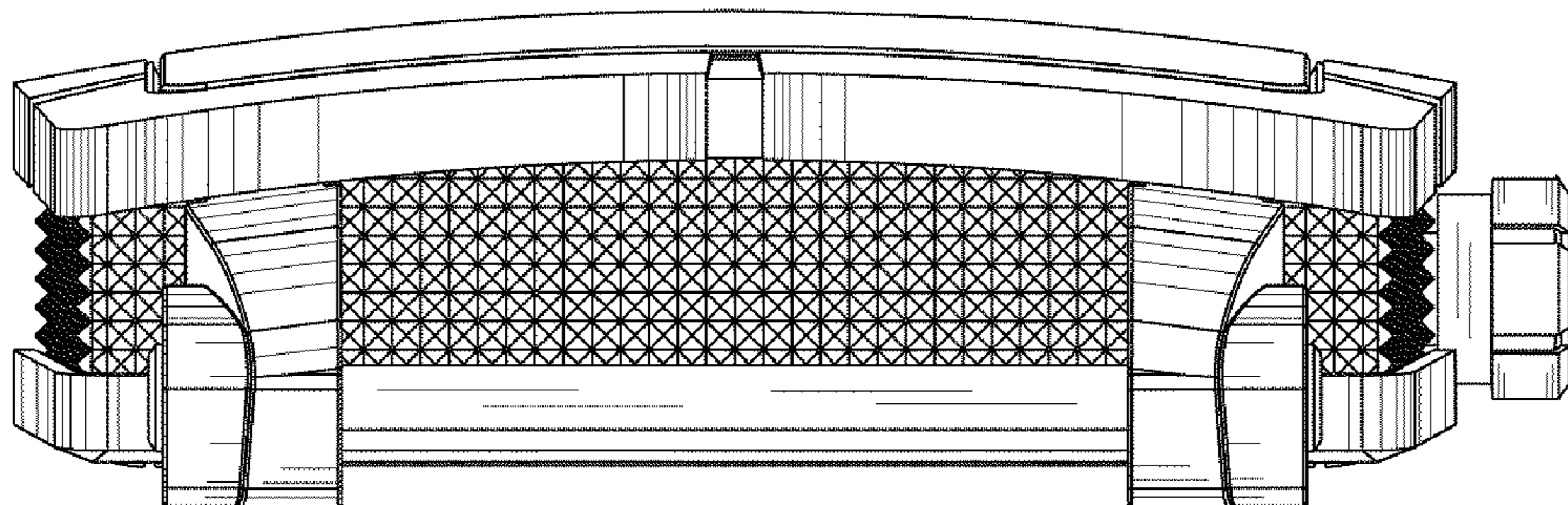


FIGURE 5

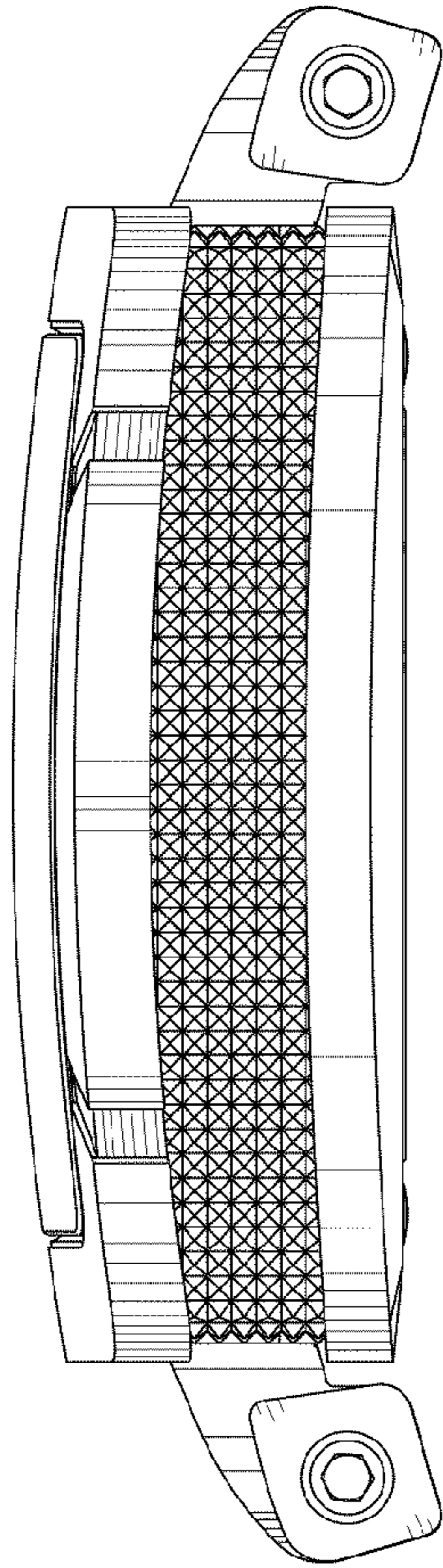


FIGURE 6

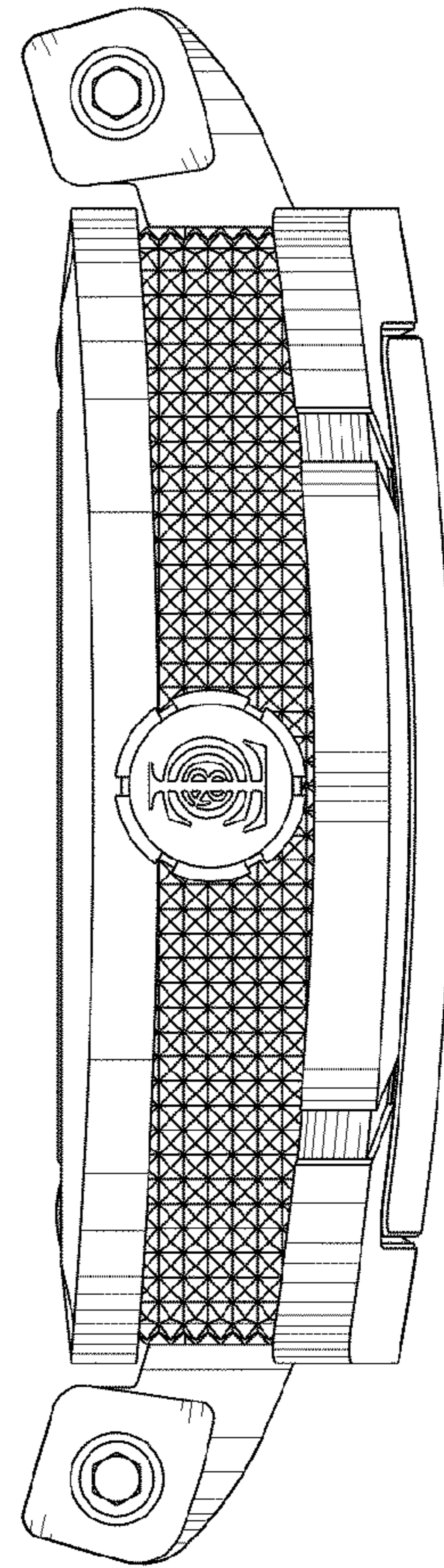


FIGURE 7