



US00D650707S

(12) **United States Design Patent**
Bellon

(10) **Patent No.:** **US D650,707 S**

(45) **Date of Patent:** **** Dec. 20, 2011**

(54) **WATCH**

(75) Inventor: **M. Cedric Bellon**, Nantes (FR)

(73) Assignee: **Chanel, Inc.**, New York, NY (US)

(**) Term: **14 Years**

(21) Appl. No.: **29/365,936**

(22) Filed: **Jul. 16, 2010**

(30) **Foreign Application Priority Data**

Mar. 5, 2010 (GB) 4014848

(51) **LOC (9) Cl.** **10-02**

(52) **U.S. Cl.** **D10/38**

(58) **Field of Classification Search** D10/30-39,
D10/122-132; 368/276, 281, 282, 285, 80,
368/223, 228, 232, 28

See application file for complete search history.

(56) **References Cited**

U.S. PATENT DOCUMENTS

D195,421	S	*	6/1963	Huguenin	D10/39
3,475,902	A	*	11/1969	Wessel	368/10
3,740,944	A	*	6/1973	Chopard	368/281
3,901,023	A	*	8/1975	Uebelhardt	368/281
D317,265	S	*	6/1991	Giolla et al.	D10/39
D320,947	S	*	10/1991	Goto	D10/39
D337,277	S	*	7/1993	Scarinzi et al.	D10/39
D415,694	S	*	10/1999	Fichter	D10/30

6,679,624	B1	*	1/2004	Mouawad	368/216
D525,537	S	*	7/2006	Monachon	D10/32
D536,994	S	*	2/2007	Sugisawa et al.	D10/31
D569,276	S	*	5/2008	Scheufele	D10/39
D590,727	S	*	4/2009	Wei	D10/38
D599,680	S	*	9/2009	Schoepfer	D10/32
D607,755	S	*	1/2010	Kummer et al.	D10/38
D618,565	S	*	6/2010	Dolce et al.	D10/38
D621,284	S	*	8/2010	Cerrato	D10/38
D624,443	S	*	9/2010	Cerrato	D10/38
D632,979	S	*	2/2011	Chastaingt	D10/38

* cited by examiner

Primary Examiner — Lucy Lieberman

(74) *Attorney, Agent, or Firm* — Nataro, Michalos & Zaccaria P.C.

(57) **CLAIM**

The ornamental design for a watch, as shown and described.

DESCRIPTION

FIG. 1 is a front view of my design for a watch;

FIG. 2 is a rear side view thereof;

FIG. 3 is a right side view thereof;

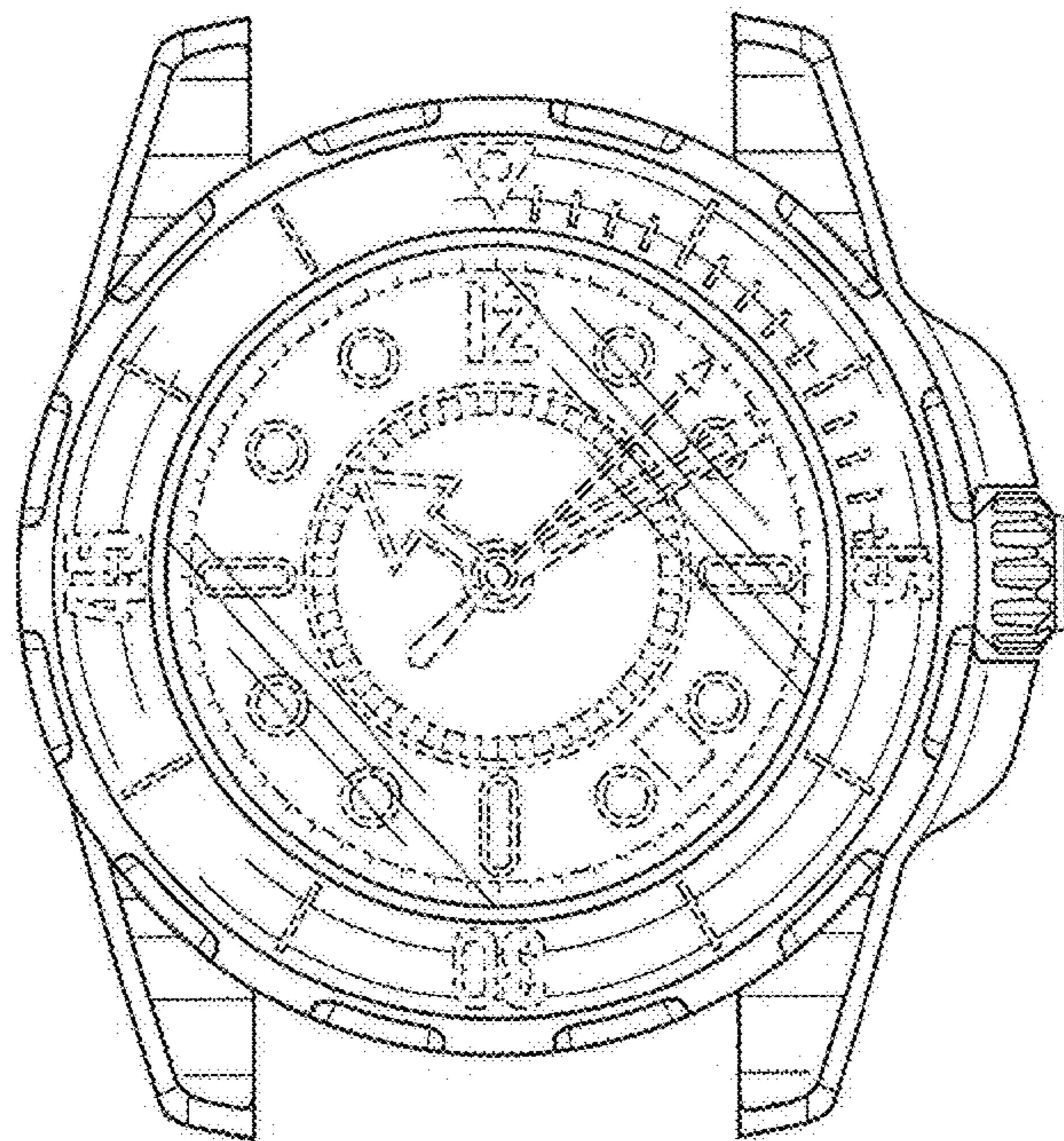
FIG. 4 is a left side view thereof;

FIG. 5 is a top view thereof; and,

FIG. 6 is a bottom view thereof.

The broken lines in the drawings are for illustrative purposes only and form no part of the claimed design.

1 Claim, 3 Drawing Sheets



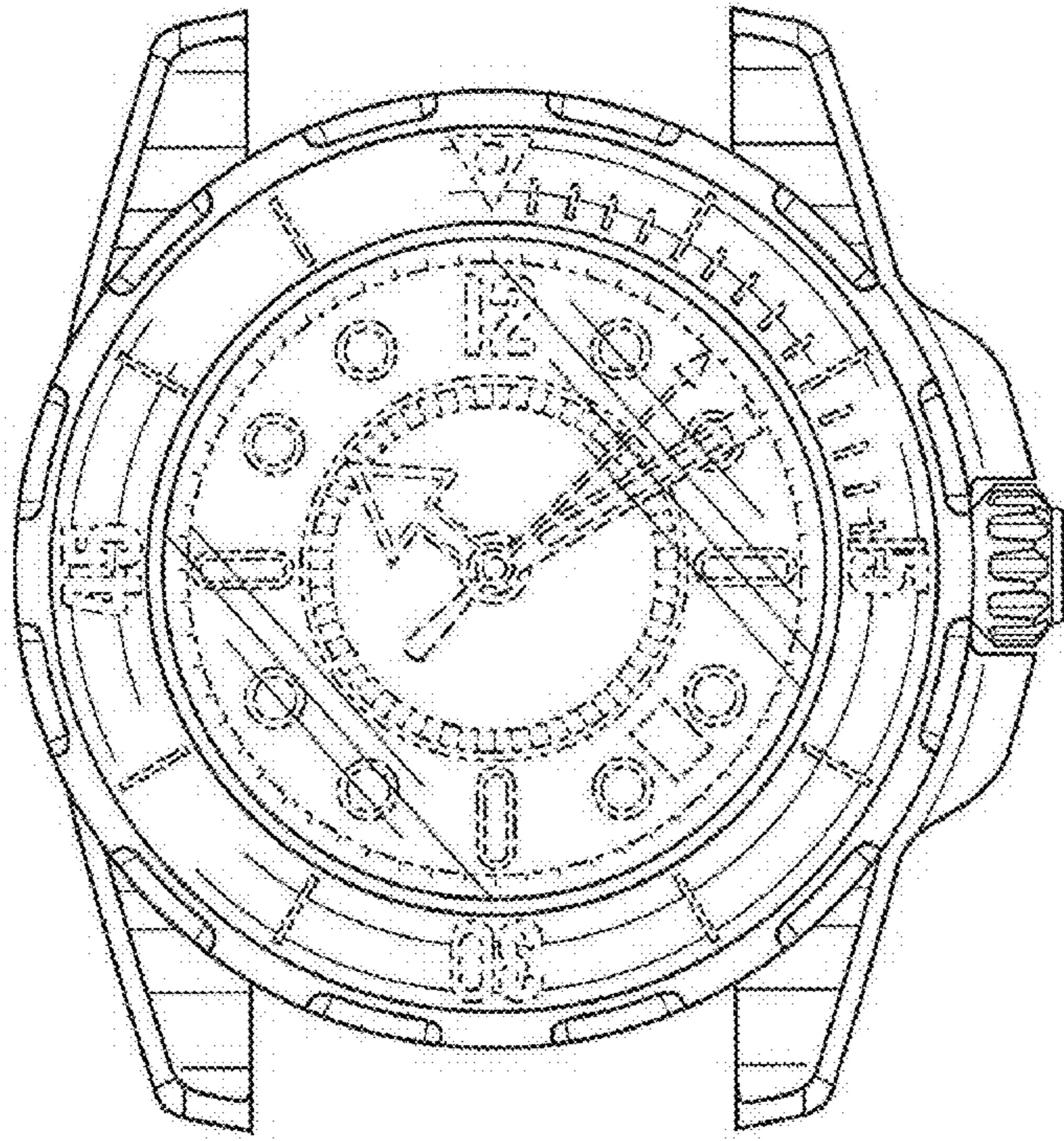


FIG. 1

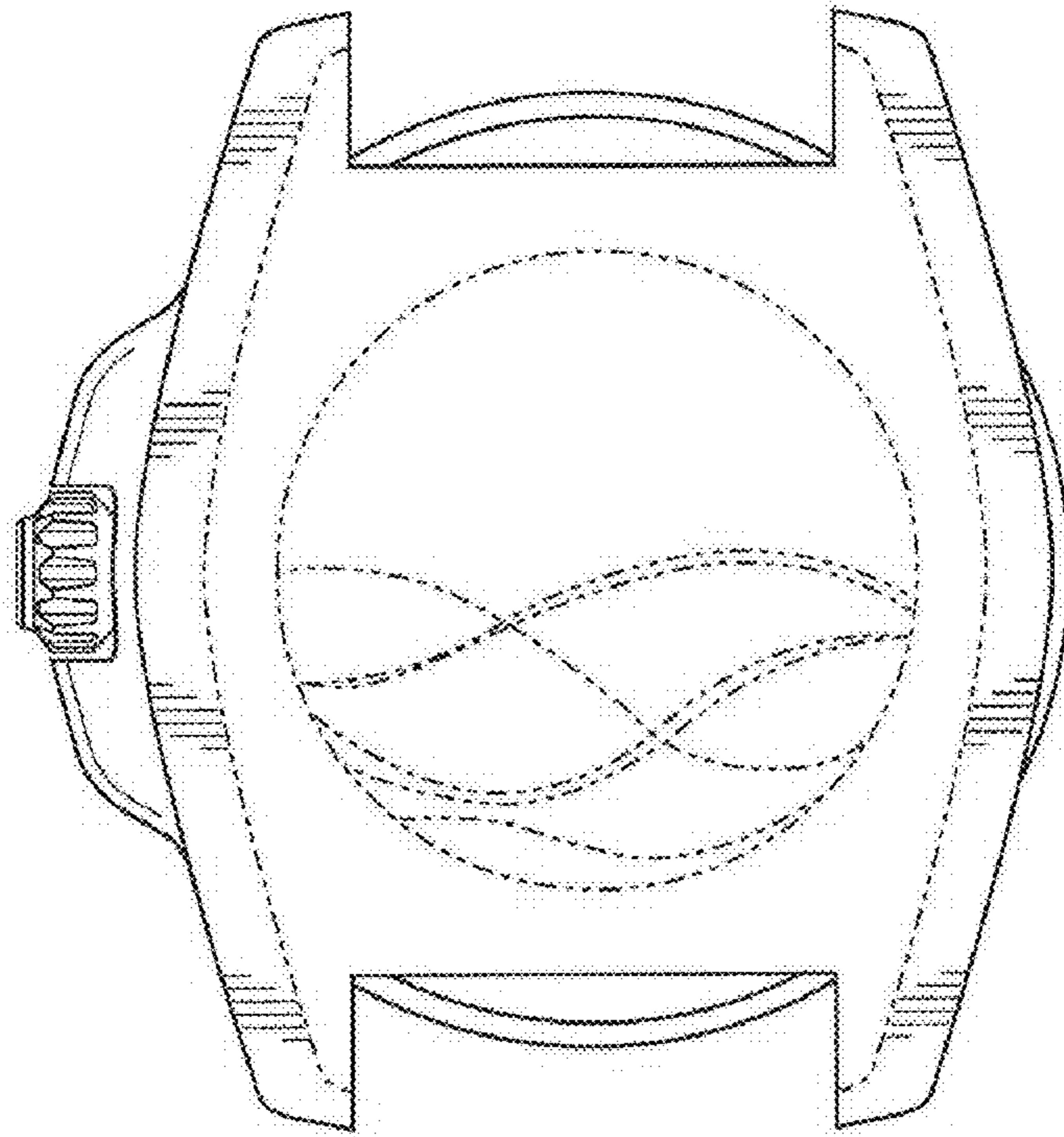


FIG. 2

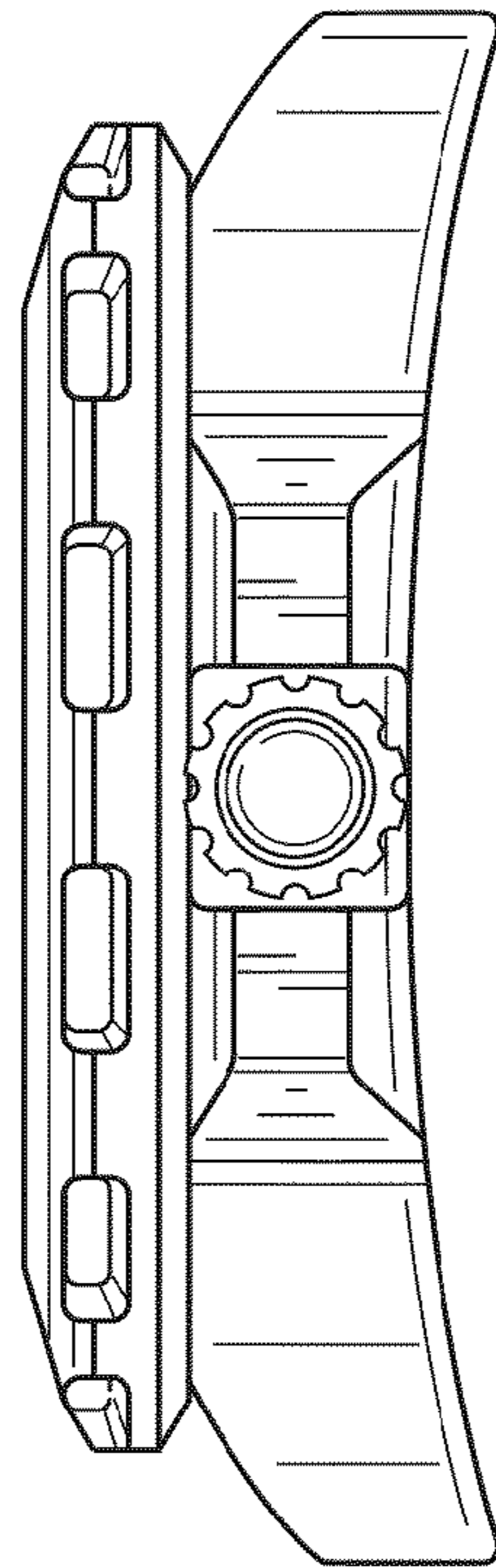


FIG. 3

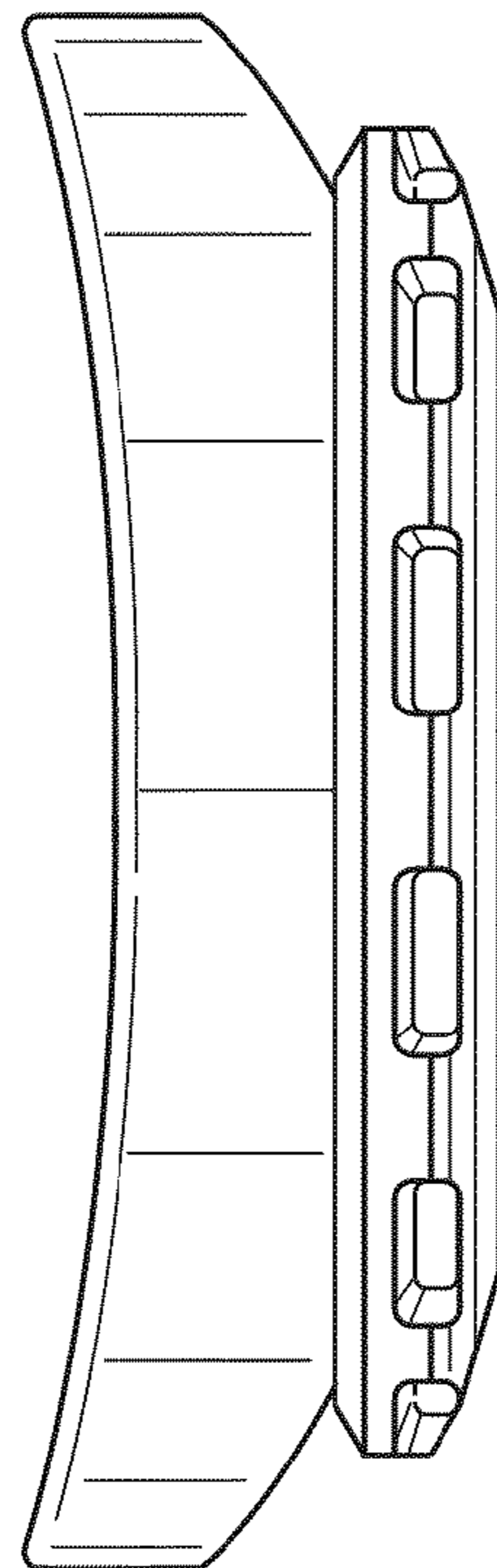


FIG. 4

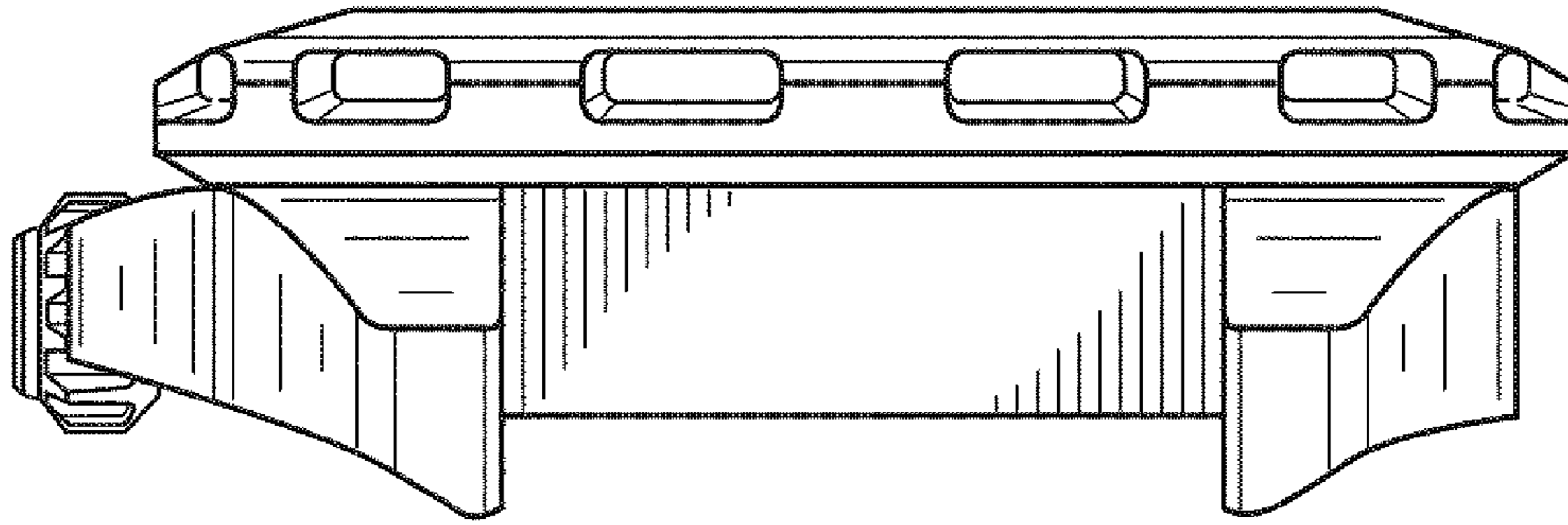


FIG. 5

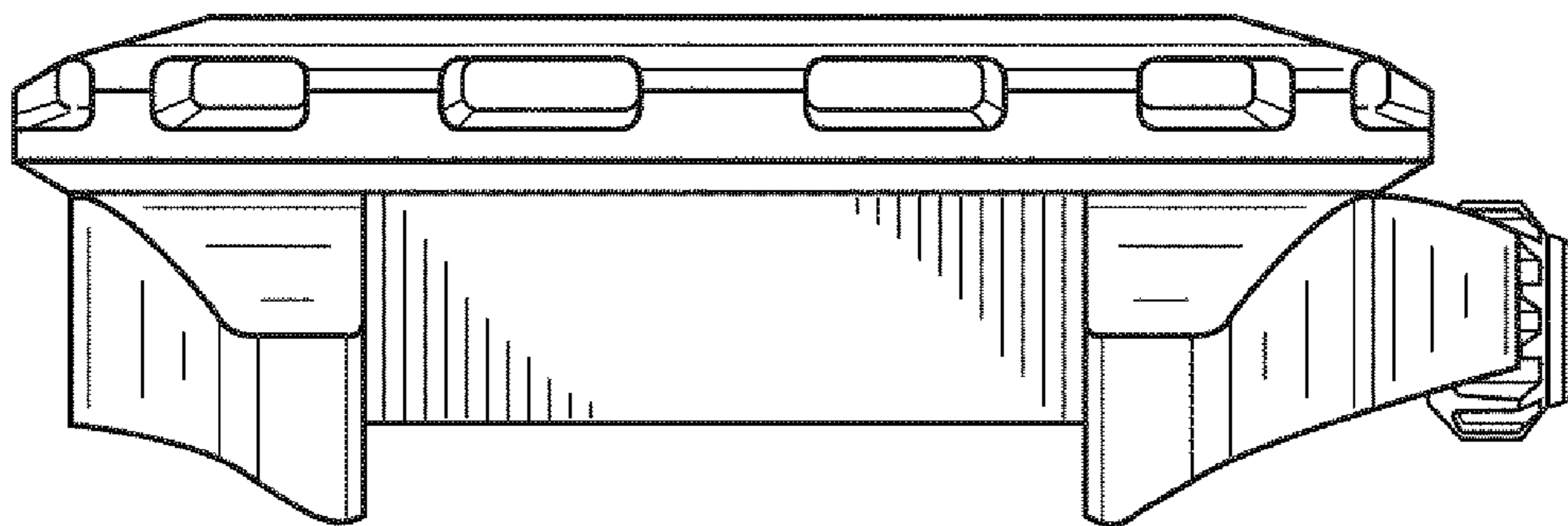


FIG. 6