

US00D650705S

(12) **United States Design Patent**
Blank

(10) **Patent No.:** **US D650,705 S**

(45) **Date of Patent:** **** Dec. 20, 2011**

(54) **WRISTWATCH**

(75) **Inventor:** **Yves Blank**, Berne (CH)

(73) **Assignee:** **Rado Uhren AG (Rado Watch Co., Ltd.) (Montres Rado SA)**, Lengnau (CH)

(**) **Term:** **14 Years**

(21) **Appl. No.:** **29/398,266**

(22) **Filed:** **Jul. 28, 2011**

(30) **Foreign Application Priority Data**

Feb. 10, 2011 (WO) DM/075 270

(51) **LOC (9) Cl.** **10-02**

(52) **U.S. Cl.** **D10/32**

(58) **Field of Classification Search** D10/30–39,
D10/123–126; 368/276, 281, 282, 285, 80,
368/223, 228, 232; D11/3

See application file for complete search history.

(56) **References Cited**

U.S. PATENT DOCUMENTS

D270,243	S *	8/1983	Porsche	D10/30
5,086,418	A *	2/1992	Marcus	368/226
5,574,701	A *	11/1996	Harilela	368/223
5,696,741	A *	12/1997	Nussbaum	368/281
D413,530	S *	9/1999	Flury et al.	D10/32
6,366,538	B1 *	4/2002	Anderson et al.	368/10
6,536,941	B1 *	3/2003	Fang	368/281
D537,740	S *	3/2007	Grosjean	D10/38
D561,049	S *	2/2008	Figueiredo	D10/38
7,380,979	B2 *	6/2008	Hiranuma et al.	368/282
D581,811	S *	12/2008	Messmer et al.	D10/32

D583,682	S *	12/2008	Blank	D10/32
D588,472	S *	3/2009	Messmer et al.	D10/32
7,682,069	B2 *	3/2010	Hyatt	368/282
D631,373	S *	1/2011	Mikkelsen	D10/32
D634,651	S *	3/2011	Jorst et al.	D10/39
D634,652	S *	3/2011	Jorst et al.	D10/39

* cited by examiner

Primary Examiner — Lucy Lieberman

(74) *Attorney, Agent, or Firm* — Collen IP; Donald J. Ranft

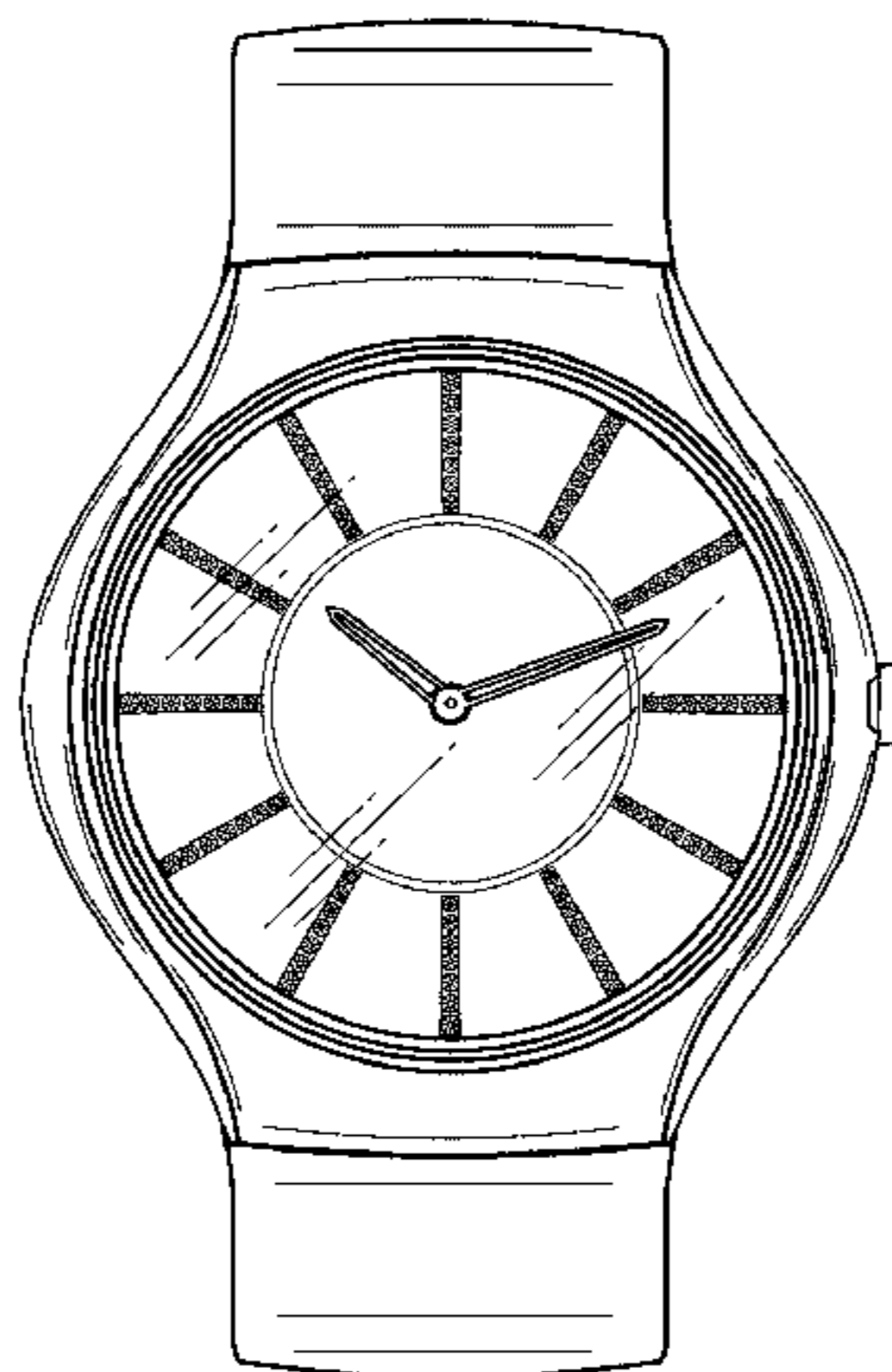
(57) **CLAIM**

The ornamental design for a wristwatch, as shown.

DESCRIPTION

FIG. 1 is a front perspective view of the first embodiment of a wristwatch showing my new design;
 FIG. 2 is a rear perspective view thereof;
 FIG. 3 is a left side perspective view thereof;
 FIG. 4 is a front view thereof;
 FIG. 5 is a rear view thereof;
 FIG. 6 is a bottom view thereof;
 FIG. 7 is a top view thereof;
 FIG. 8 is a left side view thereof;
 FIG. 9 is a right side view thereof;
 FIG. 10 is a front perspective view of the second embodiment of a wristwatch showing my new design thereof;
 FIG. 11 is a rear perspective view thereof;
 FIG. 12 is a left side perspective view thereof;
 FIG. 13 is a front view thereof;
 FIG. 14 is a rear view thereof;
 FIG. 15 is a bottom view thereof;
 FIG. 16 is a top view thereof;
 FIG. 17 is a left side view thereof; and,
 FIG. 18 is a right side view thereof.

1 Claim, 10 Drawing Sheets



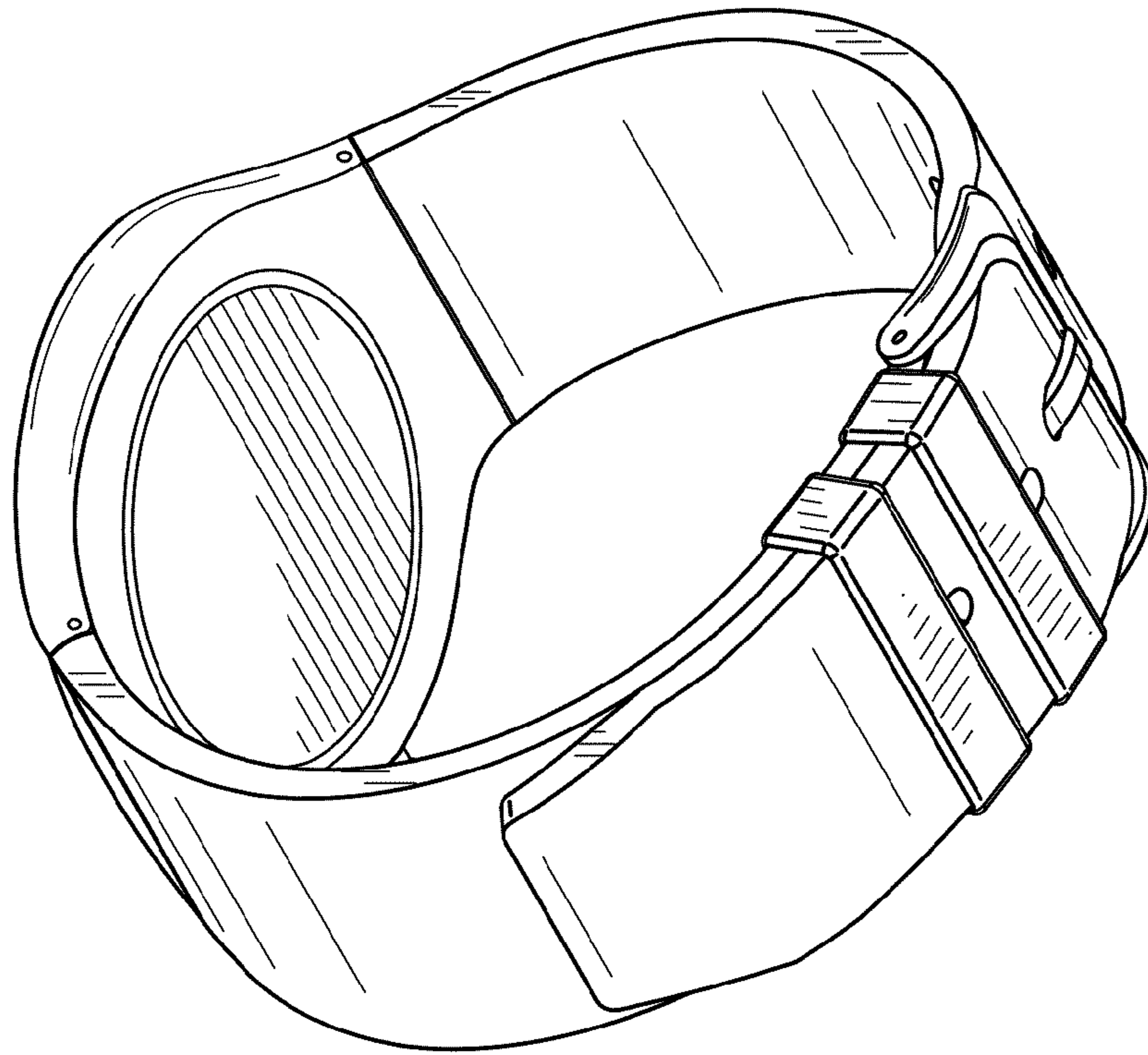


FIG. 2

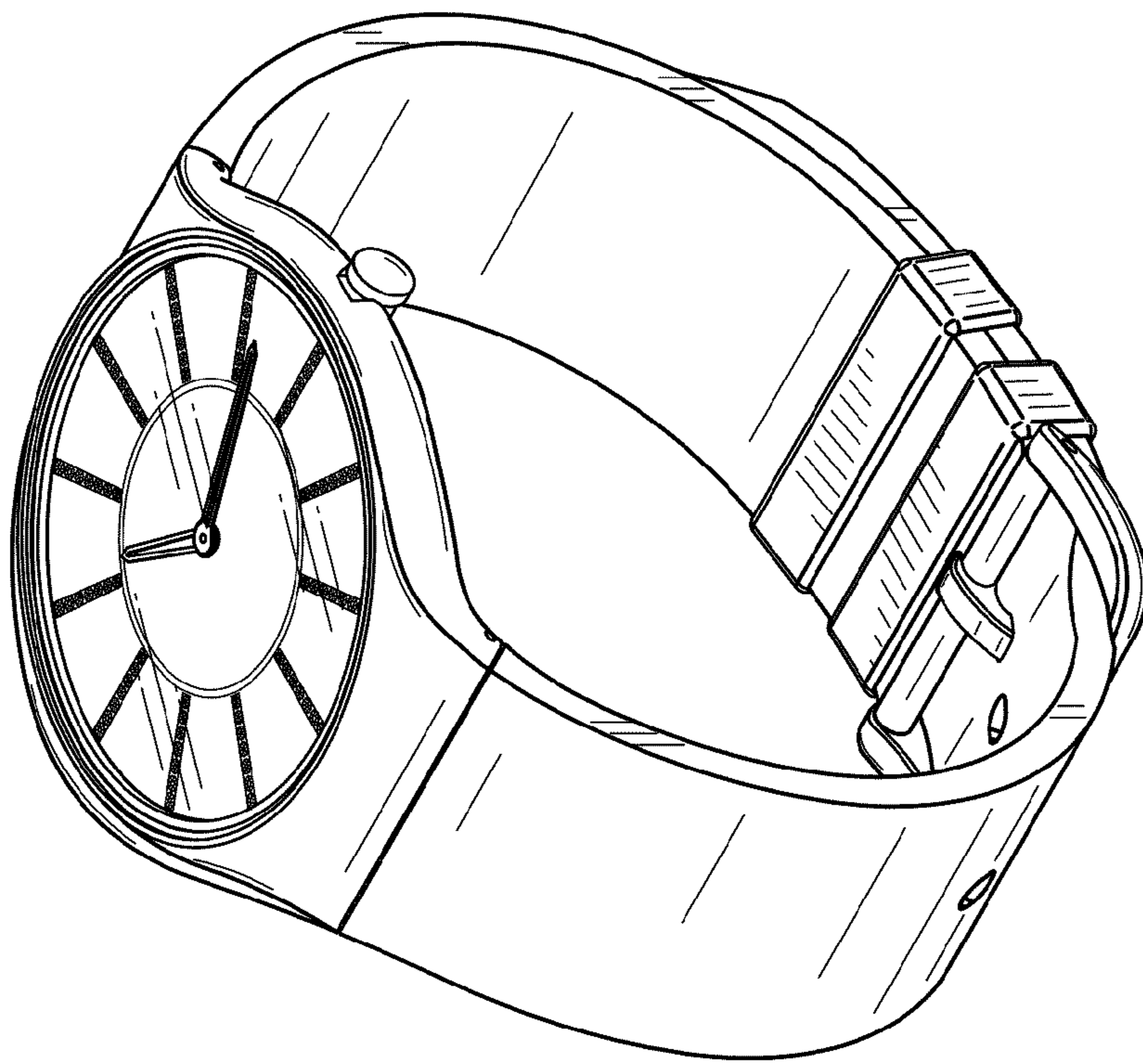


FIG. 1

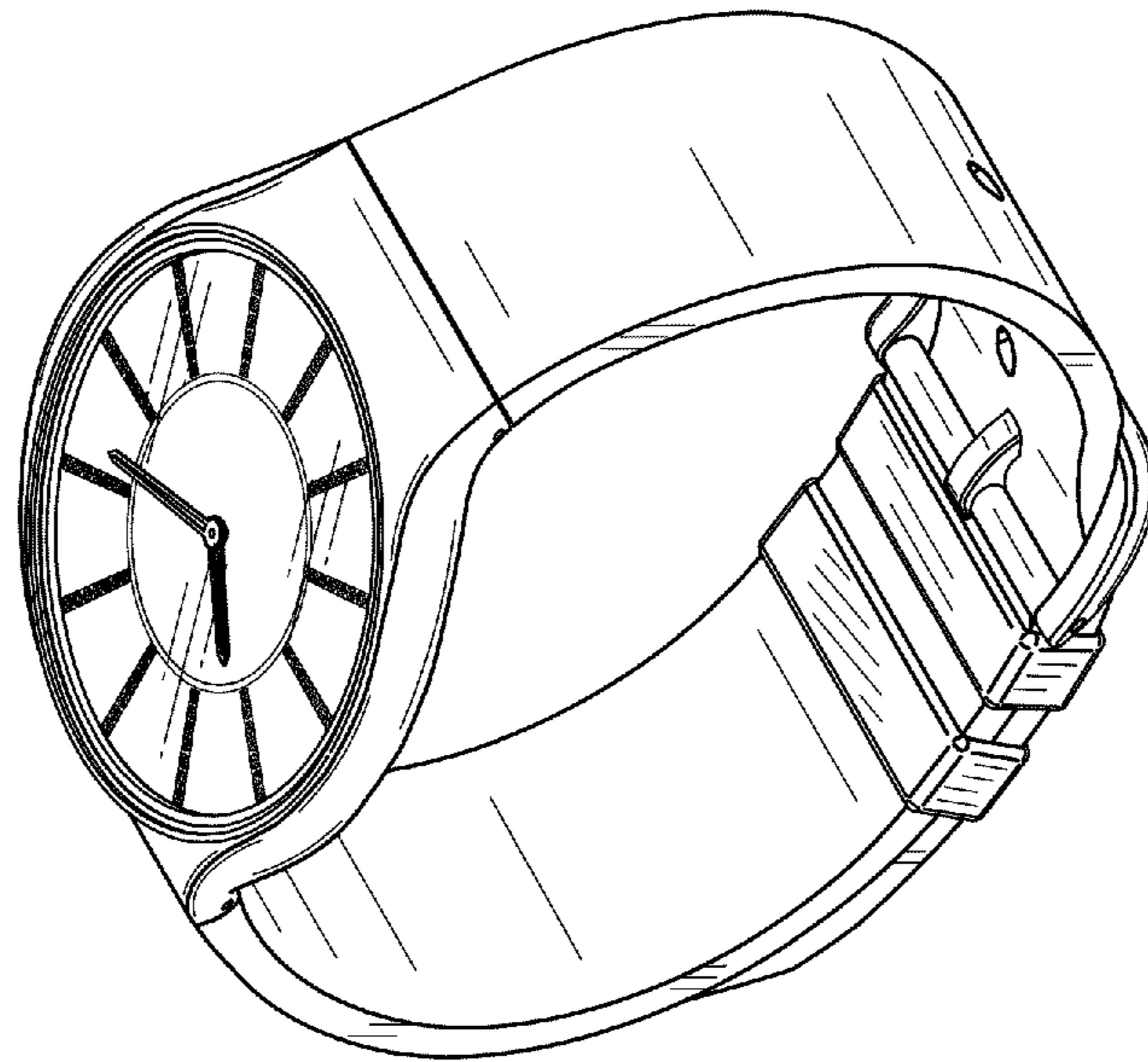


FIG. 3

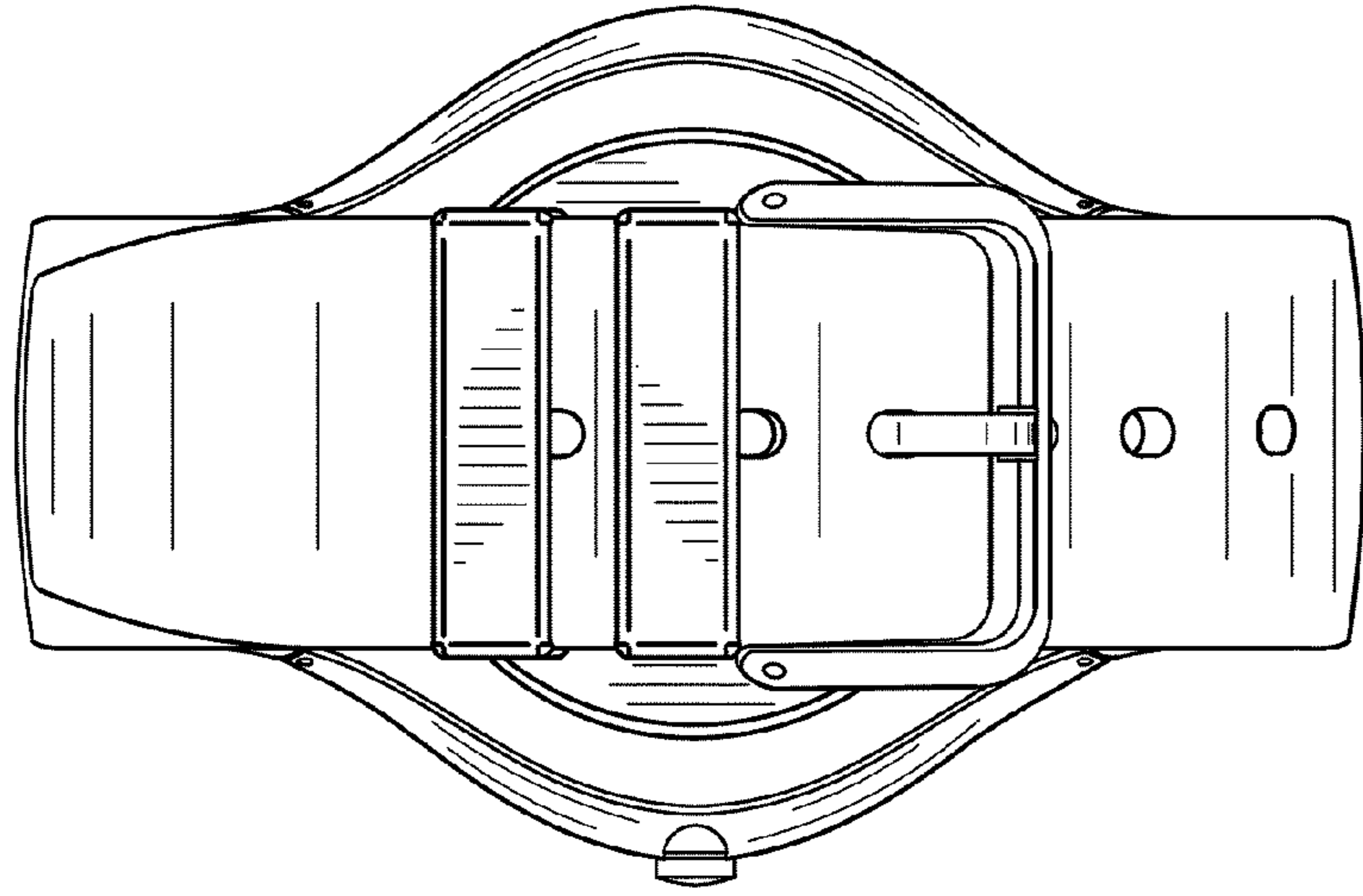


FIG. 5

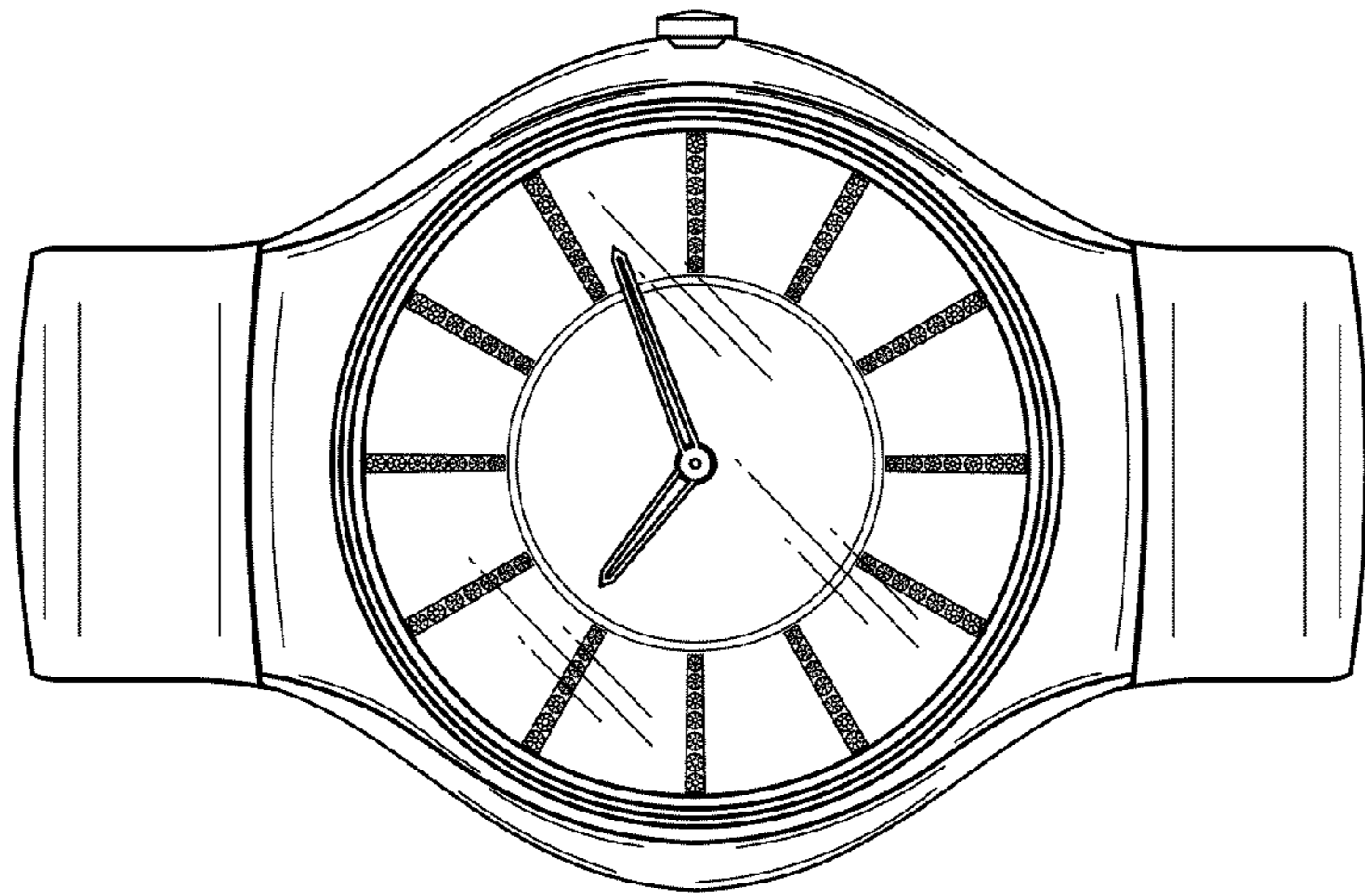


FIG. 4

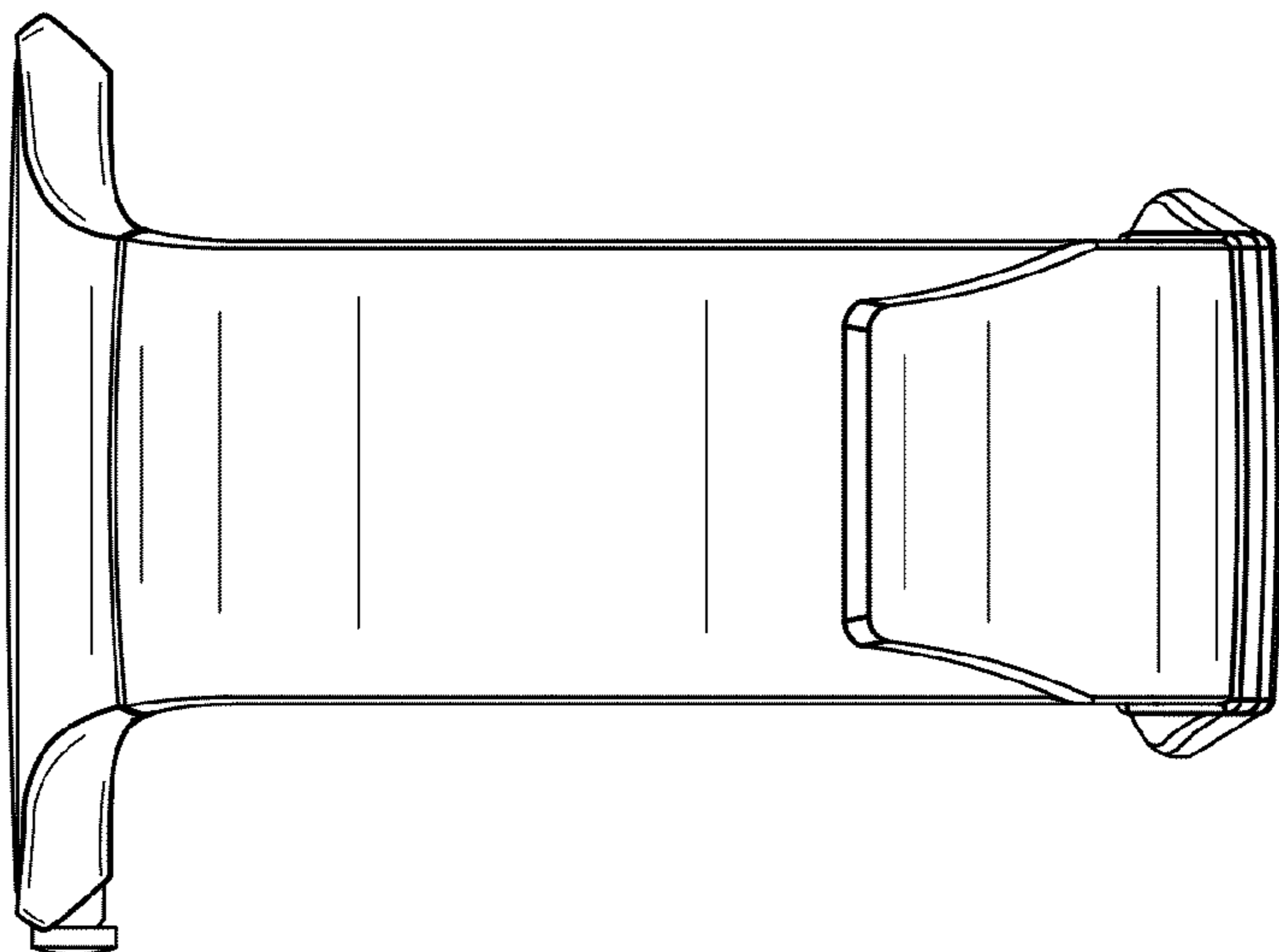


FIG. 7

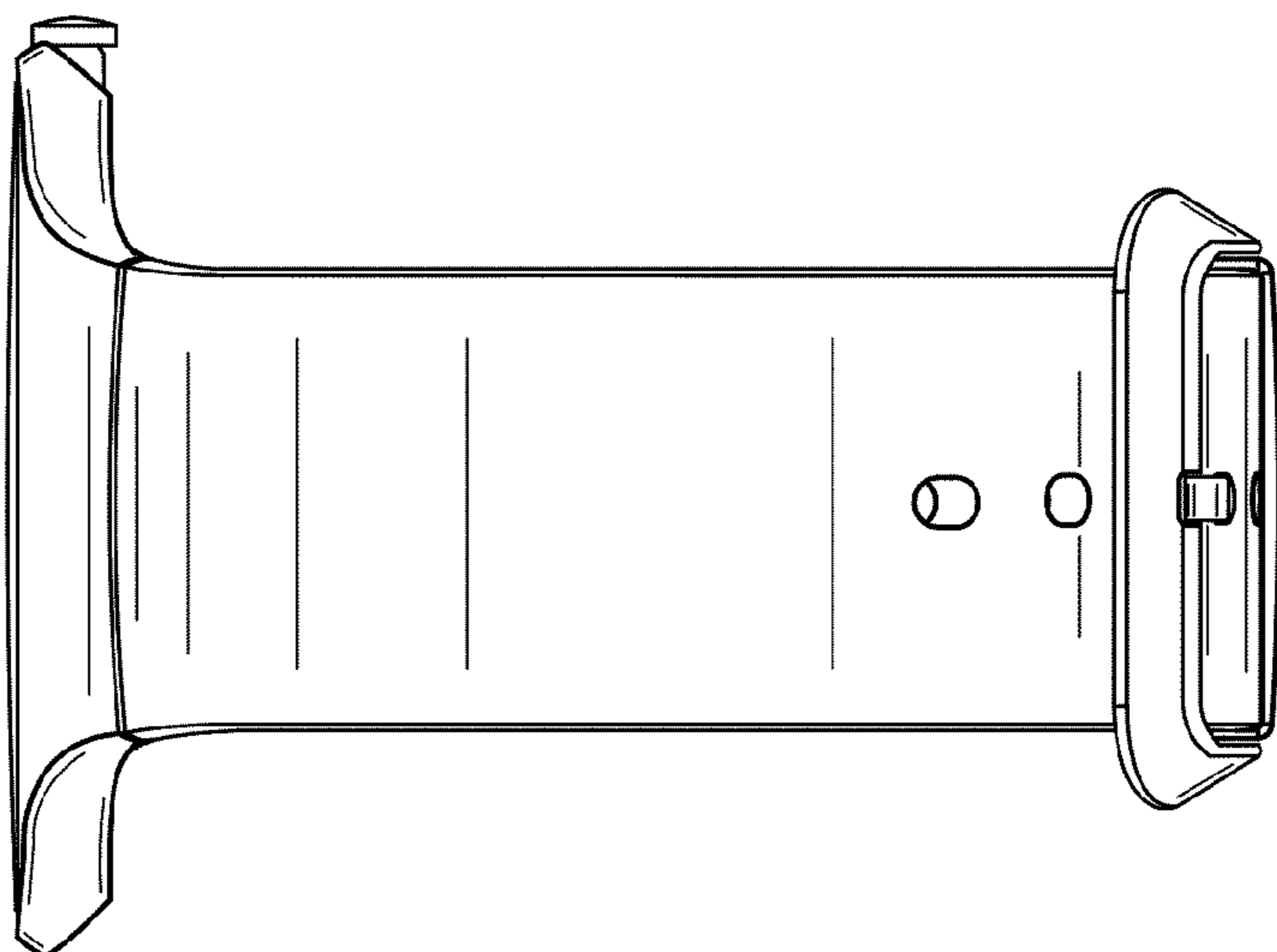


FIG. 6

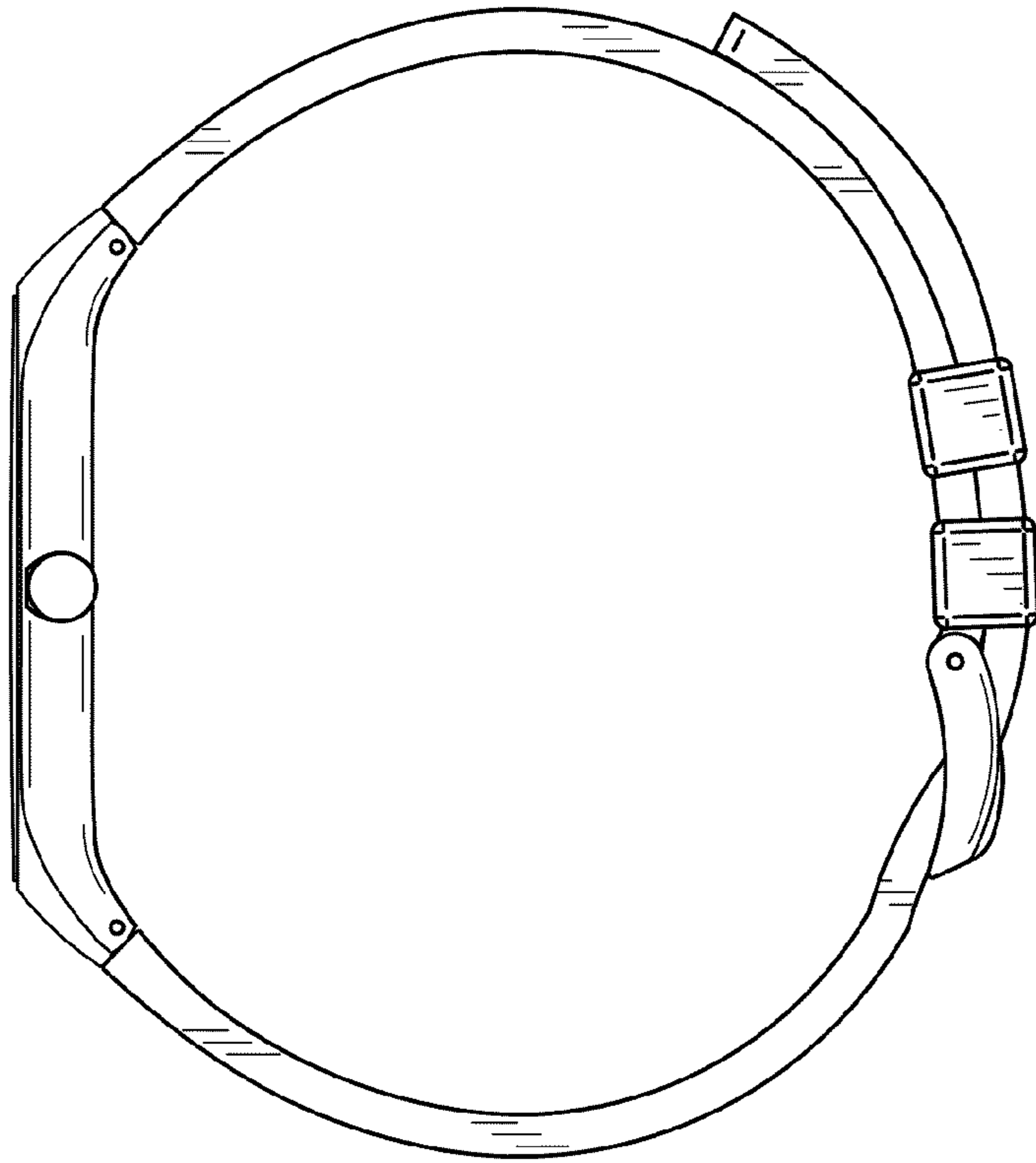


FIG. 9

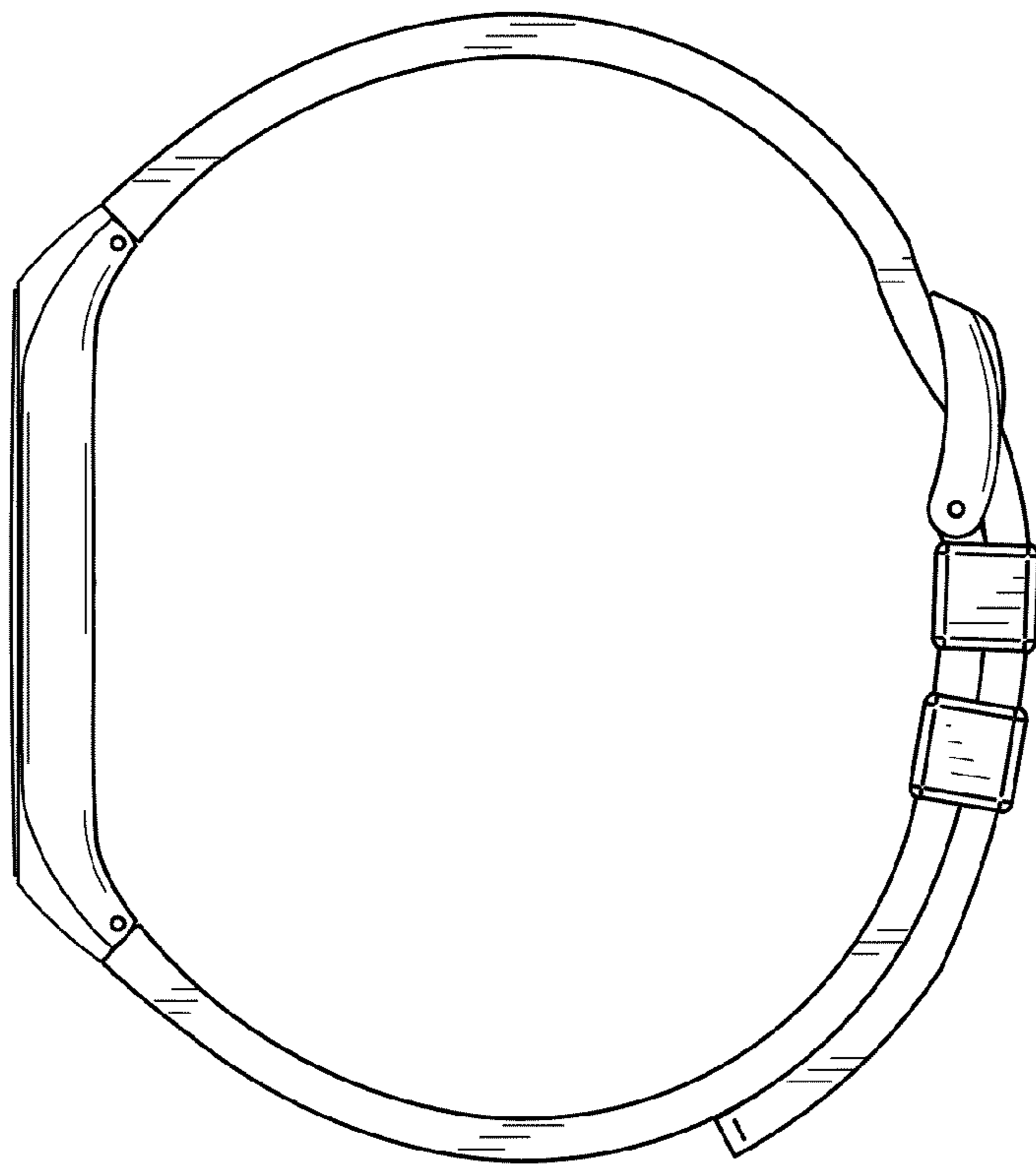


FIG. 8

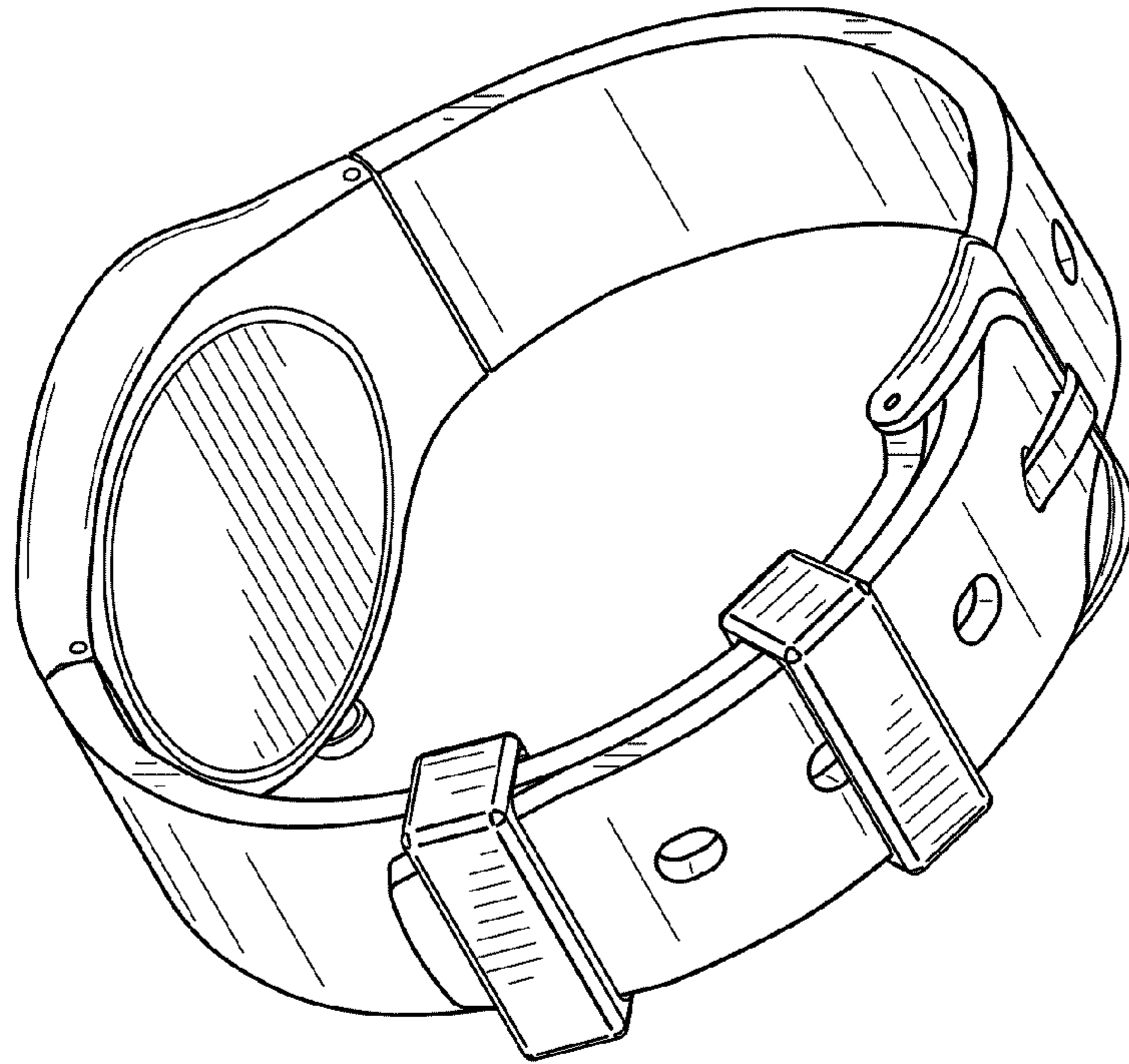


FIG. 11

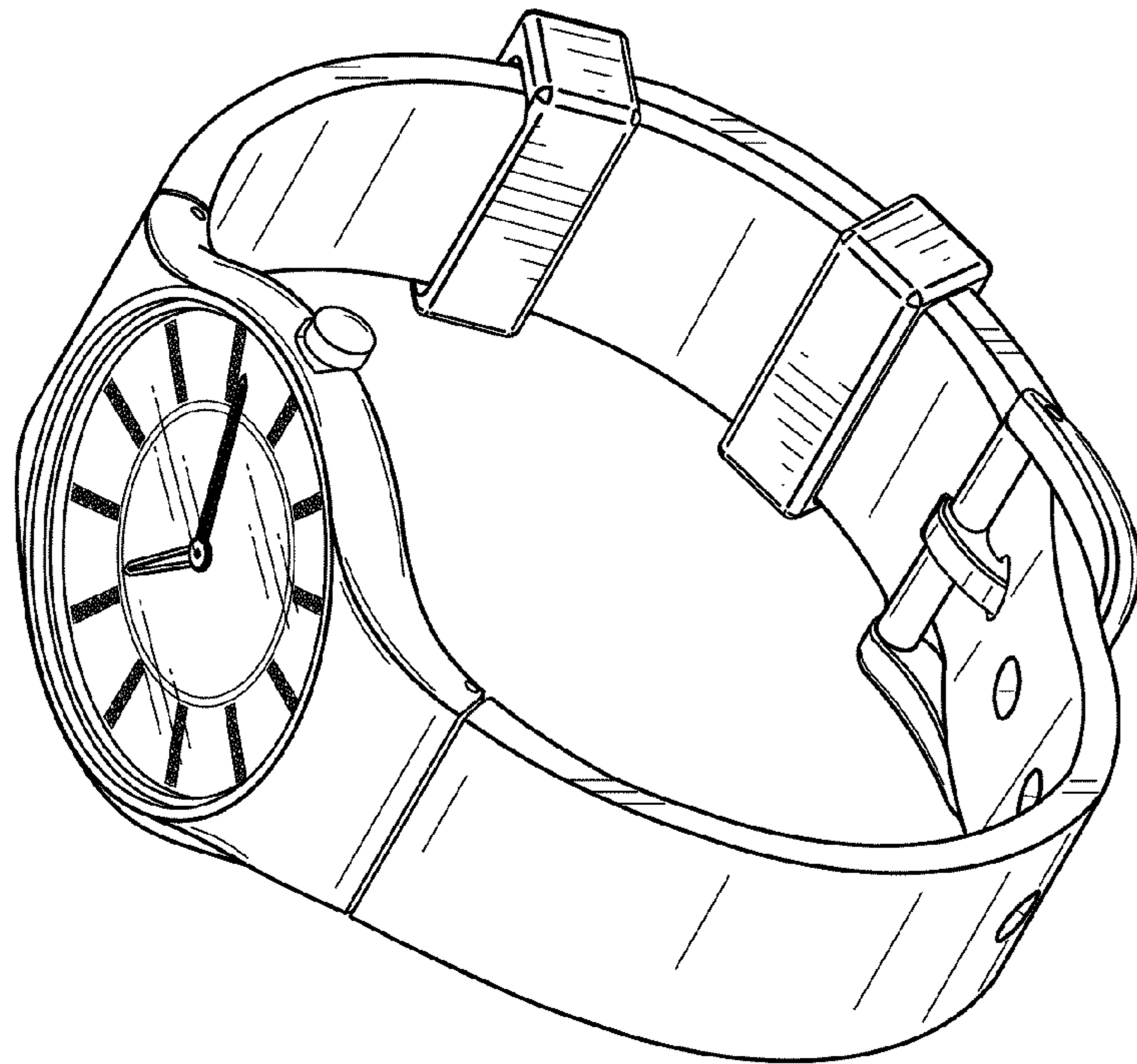


FIG. 10

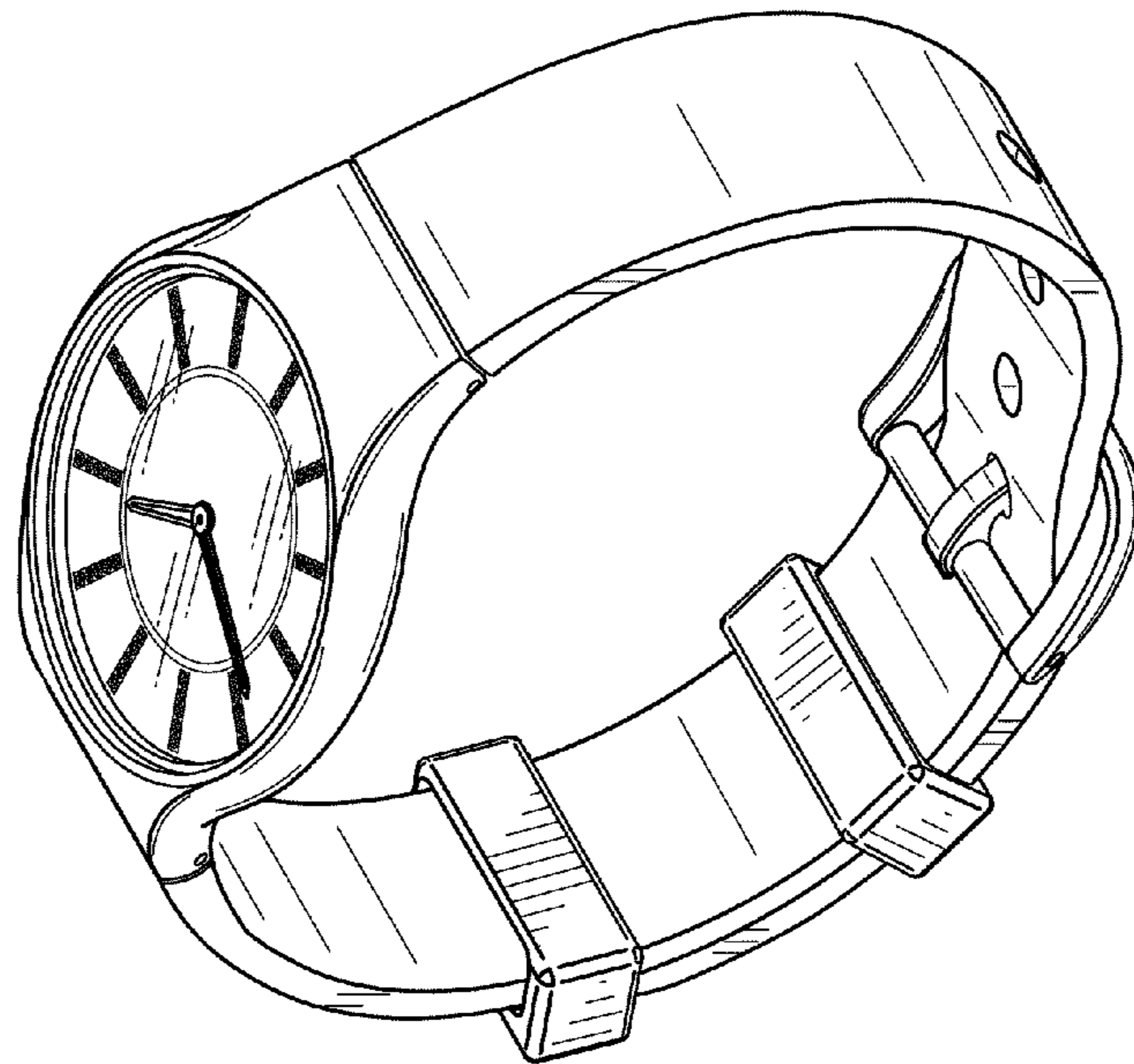


FIG. 12

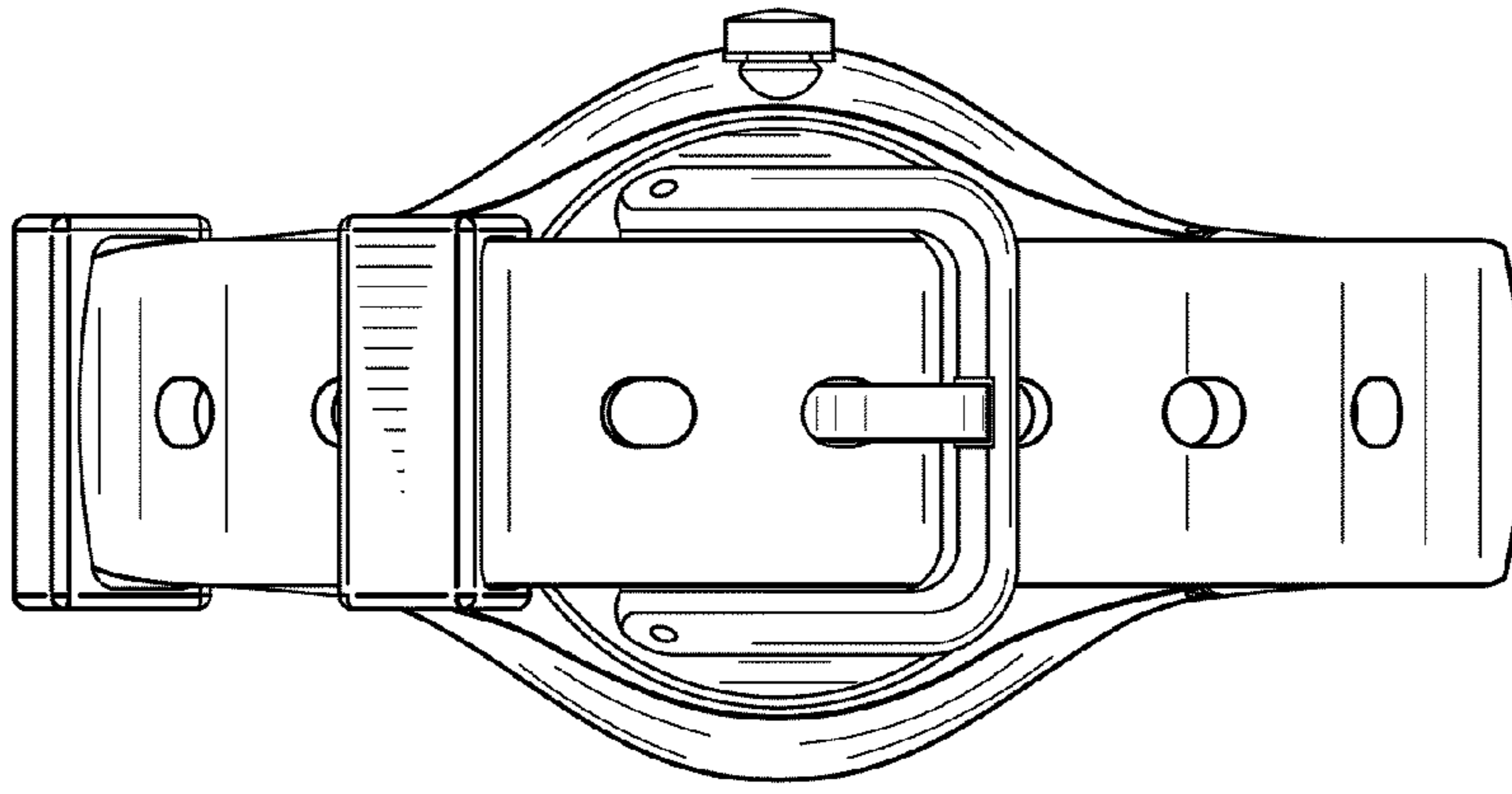


FIG. 14

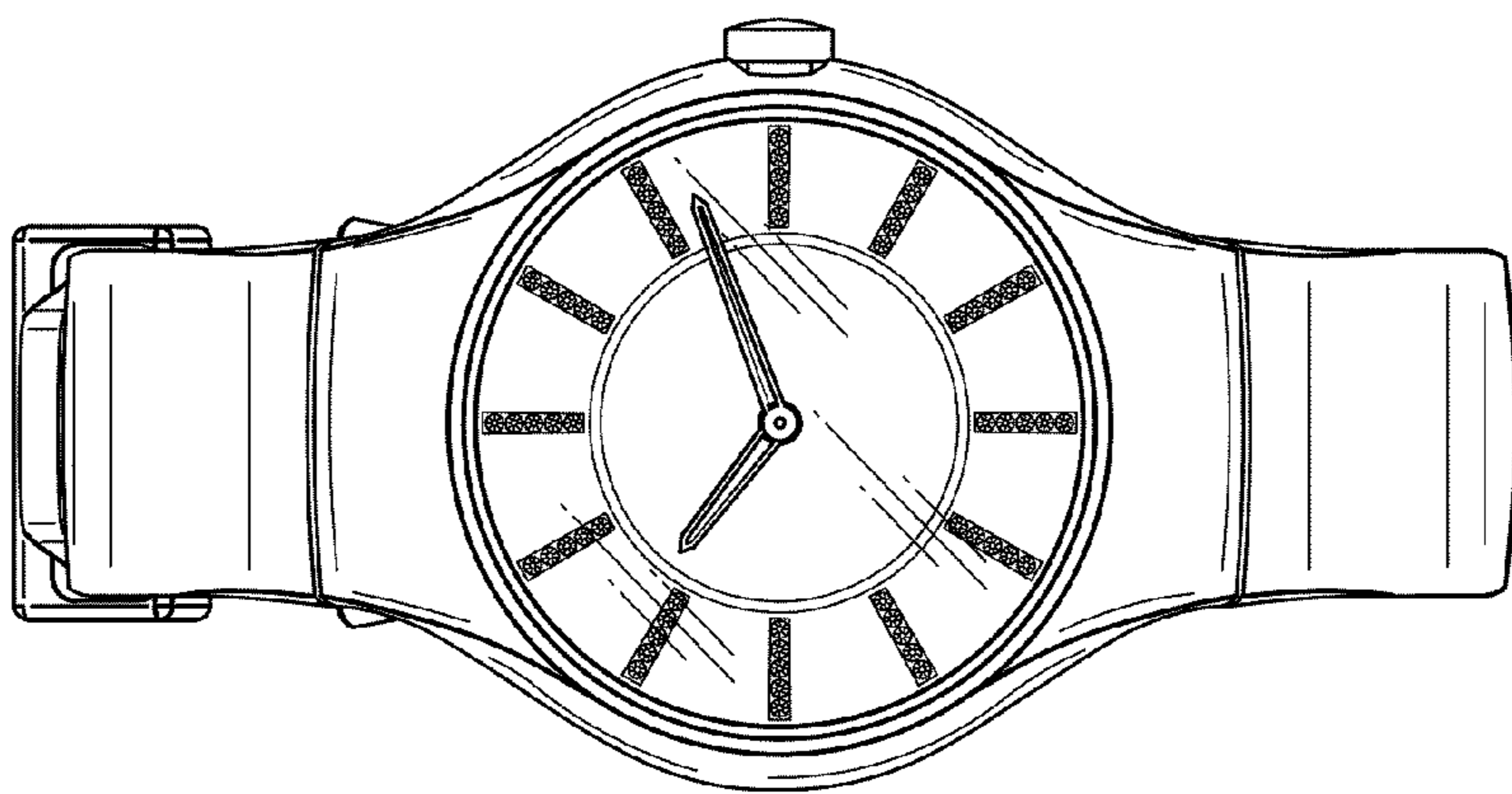


FIG. 13

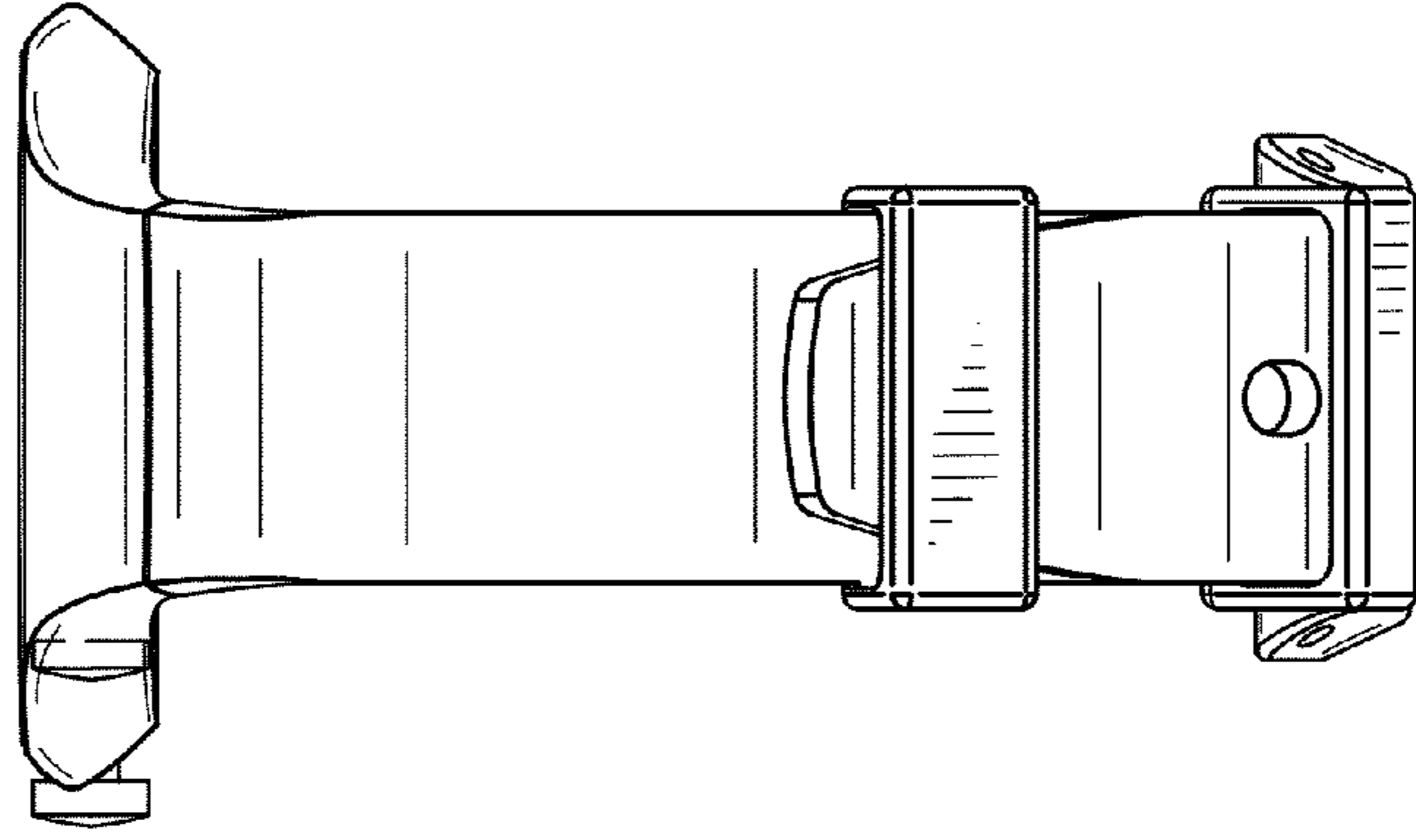


FIG. 16

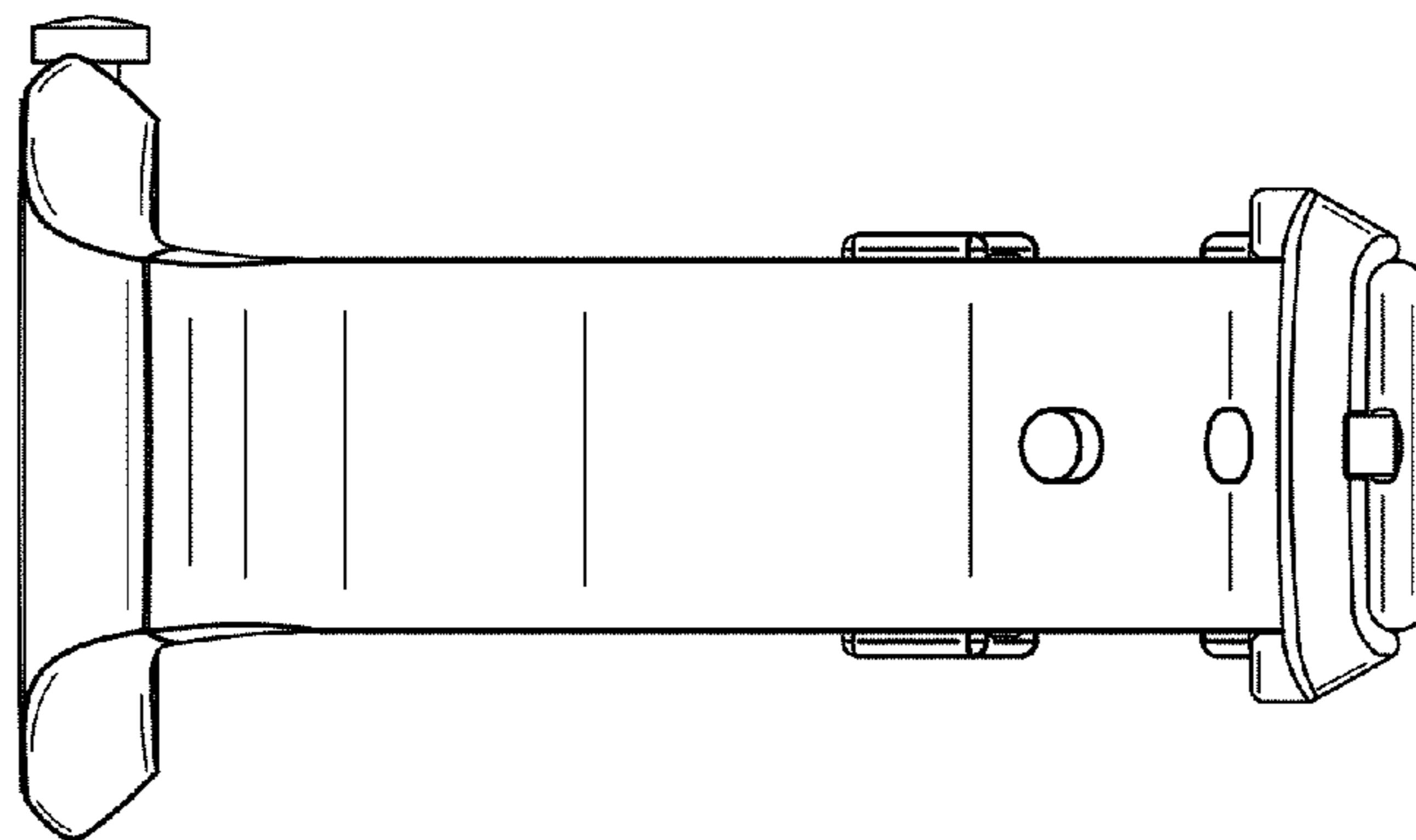


FIG. 15

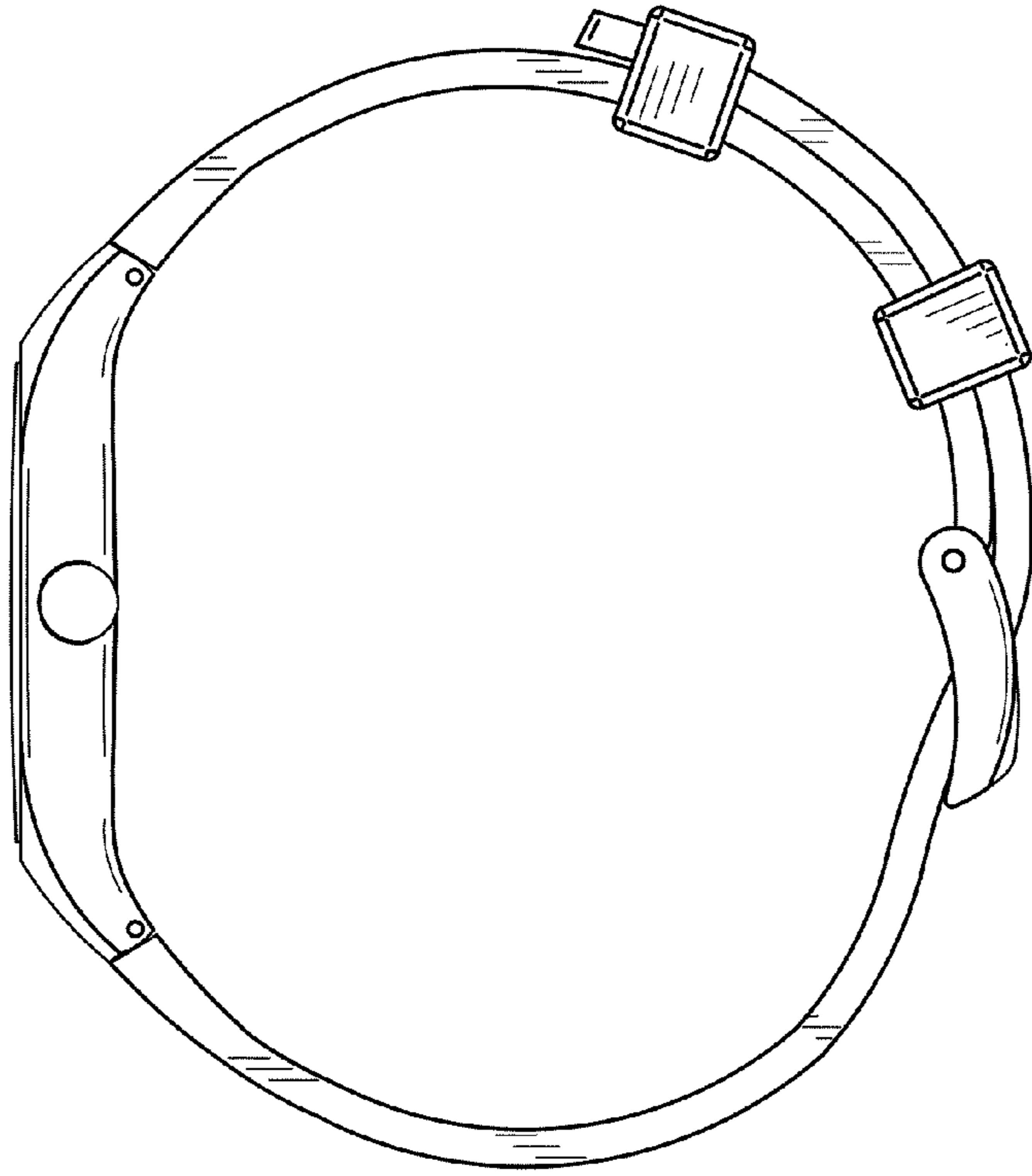


FIG. 18

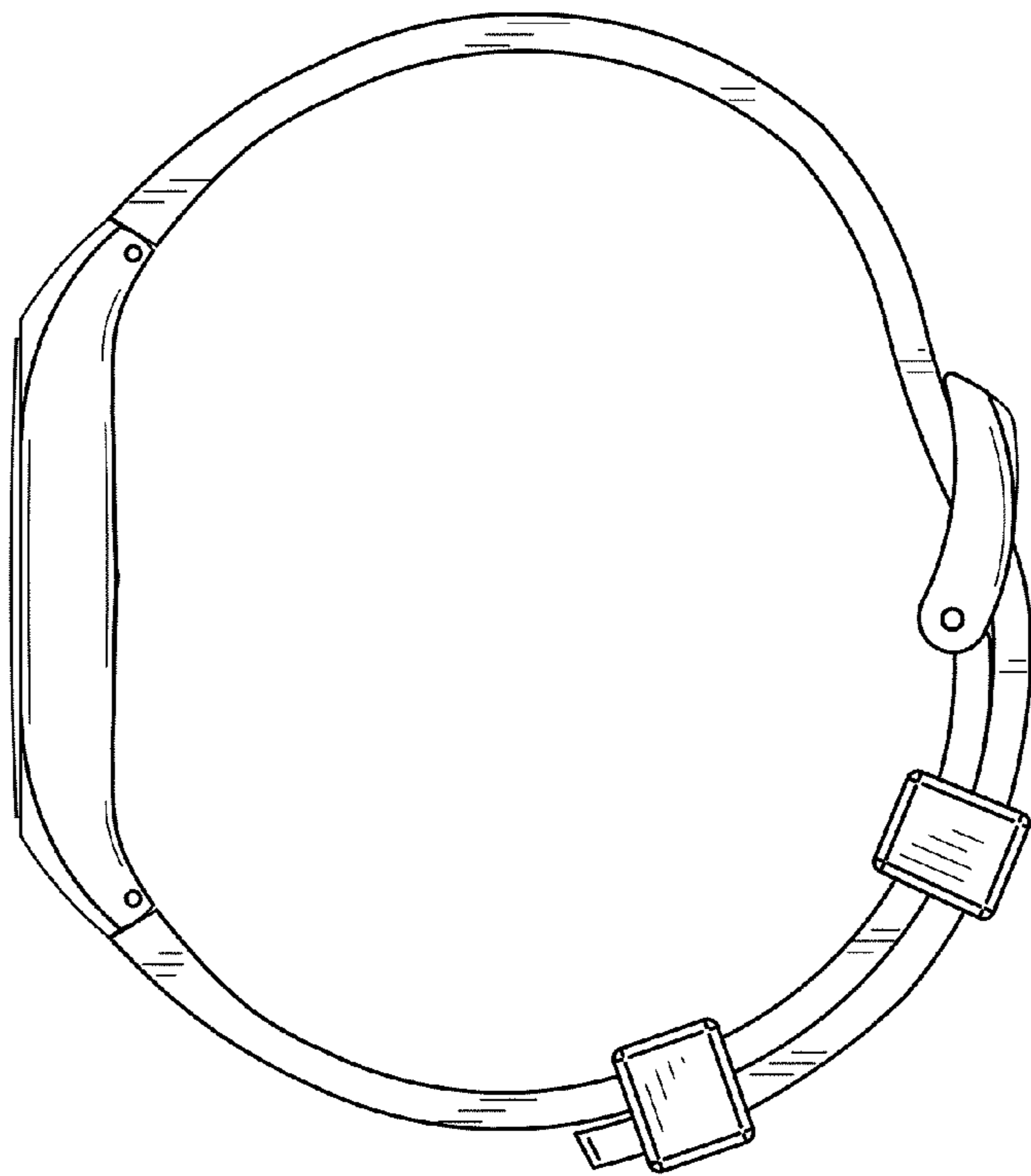


FIG. 17